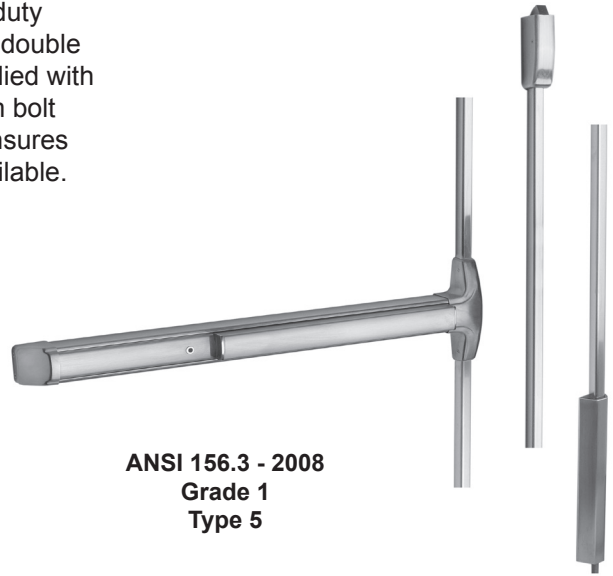




50 SERIES

Narrow Stile Surface Vertical Rod Device

The 50 Series **surface vertical rod exit device** is super-heavy-duty **panic and fire exit hardware** for use on all types of narrow stile double doors without a mullion. All 50 series SVR exit devices are supplied with top and bottom rod covers and an ADA compliant ramped bottom bolt cover. The patented mounting plate and strike locator system ensures the easiest and most accurate installation of panic hardware available.



ANSI 156.3 - 2008
Grade 1
Type 5

Benefits

- Tough and durable design for years of trouble-free service in high-use, high-abuse environments
- Minimal door prep saves time and money
- Security enhanced by stainless steel rod covers, standard
- Fast and accurate installation
- Outside trims are easily changed or rekeyed without removing device from door

Features

- Patented mounting plate and strike locator system replaces paper templates
- ADA ramped bottom bolt cover
- Heavy-duty angled end-cap deflects damage away from device
- Stainless steel deadlocking, Pullman-type top latch
- 1/8 turn hex or cylinder dogging
- Handed - field reversible
- Hardened steel bottom drop bolt with dust proof strike
- All exposed surfaces are finished over stainless steel with PVD, an environmentally friendly finishing process
- Field sizeable

Mechanical Options

- F - 3-Hour Fire Rated
- EC1 - Heavy Duty End-cap (Std.)
- 48 - Fits 48" Door Widths
- AM - Anti-Microbial Coating
- EC2 - Flush End-cap
- 84 - 84" Door Height (Std.)
- HD - Hex Dogging (Std.)
- 30 - Fits 30" Door Widths
- 96 - 85" to 96" Door Height
- CD - Cylinder Dogging
- 36 - Fits 36" Door Widths (Std.)
- 120 - 97" to 120" Door Height
- LD - Less Dogging

Electrical Options

- Exit Alarm (EA)
- Electric Unlock (EU2W)
- Request to Exit Weatherized for High Voltage (EXVxW)
- Electric Dogging (ED)
- Request to Exit (EX)
- Request to Exit for High Voltage (EXV)
- Electric Latch Retraction (ER)
- Request to Exit Weatherized (EXxW)
- Delayed Egress - Self Contained (EE)
- Delayed Egress with Latch Retraction (EExER)

Refer to Electrified Options section for more information



Accessories

- GB5 - Glass Bead Kit - 7' Door Height (84")
- GB9 - Glass Bead Kit - 8' Door Height (85" - 96")
- GB13 - Glass Bead Kit - 10' Door Height (97" - 120")
- SN1 - Sex Nut Kit (2 per package)
- SSK- Security Torx Screw Kit
- Trim Functions (see Outside Trims)
- Electrified Options (see Electrified Options)

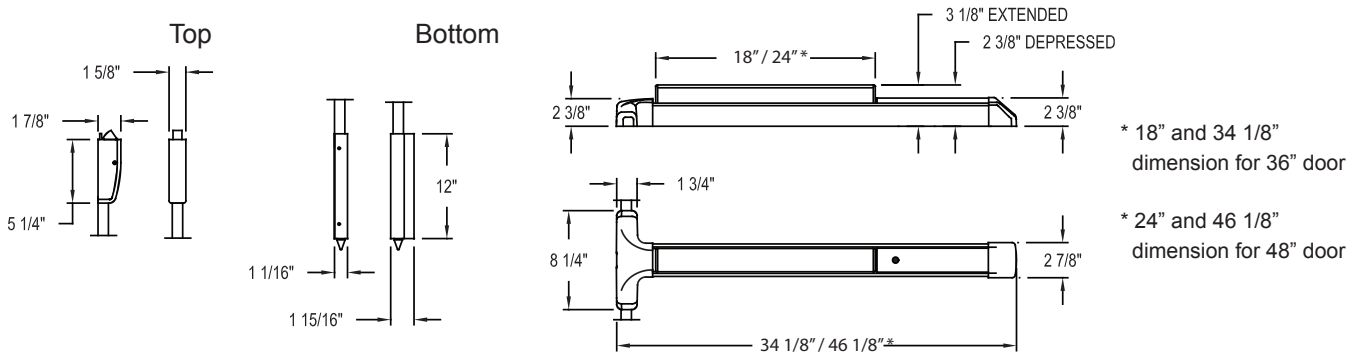
Technical Information

- Door Types - Wood, Hollow Metal, Fiberglass or Aluminum
- Door Thickness - Fits standard 1-3/4" - 2-1/4" doors (for other door thicknesses contact factory)
- Minimum Stile - 2" with standard 96 strike
- Fasteners - Machine and Self-Drilling Screws standard

Finishes

605 / US3	Polished Brass	628 / US28	Aluminum Satin	693 / SPBLK	Black, Painted
606 / US4	Brushed Brass	629 / US32	Polished Stainless Steel	695 / SP 313	Dark Bronze, Painted
611 / US9	Polished Bronze				
612 / US10	Brushed Bronze	630 / US32D	Brushed Stainless Steel		
613 / US10B	Oil Rubbed Bronze				

Dimensions



Listings and Approvals



UL Listed Panic Hardware



ULC 97, Standard 7-2 and UL10B/UL10C for positive pressure



UL Listed Fire Exit Hardware for 3 hours, maximum 4'x10' single doors and 8'x10' pairs of doors



Meets NFPA 80 & 101 for Life Safety



Meets ADA requirements



California State Fire Marshall
4140-0127:105 and
3725-0127:108



ANSI/BHMA certified A156.3

Detex Limited Warranty

10 Year Mechanical/3 year Electrical Limited Manufacturer's Warranty

Where Trust is Built™
DETEX®
Life Safety and Security Door Hardware

Detex Corporation
302 Detex Drive
New Braunfels, Texas 78130-3045 USA
PH. (830) 629-2900
(800) 729-3839
FAX (800) 653-3839
<http://www.detex.com>
USA Sales:
marketing@detex.com
International Sales:
export@detex.com