

5030 Series



The concealed 5030 Series PACER® is a heavy duty closer designed to fit in a narrow, minimum 1 3/4" aluminum transom. The double lever arm provides superior door control and the choice of finishes and arm functions meet virtually all architectural requirements.

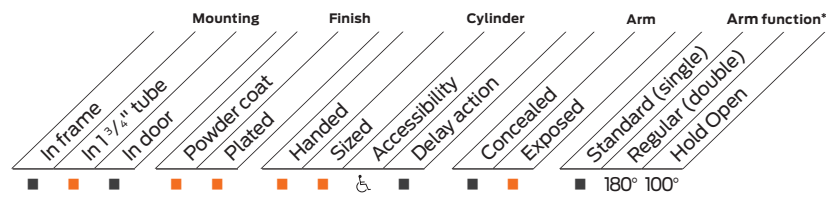
Features

Certifications	Grade 1 - ANSI A156.4, UL 10C, ADA, 100 hour salt spray, meets BAA - Buy American Act
Body construction	<ul style="list-style-type: none"> Cast iron body Full complement bearing 1 1/8" diameter piston 11/16" diameter double heat treated pinion journal
Fluid	All weather fluid
Handing	Handed
Size	Sized 1, 3, 4, 5, 6
Warranty	15 years

Fasteners	Wood Screws and Torx Security Screws (optional)
Mounting	Concealed (in tube); aluminum frame requires minimum 1 3/4" (44 mm) x 4 1/2" (114 mm) tube
Arms	Regular arm
Finishes/colors/powder coat	<ul style="list-style-type: none"> 689 Aluminum 690 Statuary bronze 691 Light bronze 693 Black 695 Dark bronze 696 Brass Custom colors optional Optional SRI primer - powder coat only Optional plated finishes

Special templates

Customized installation templates or products may be available to solve non-standard applications. Contact LCN Product Support for assistance.

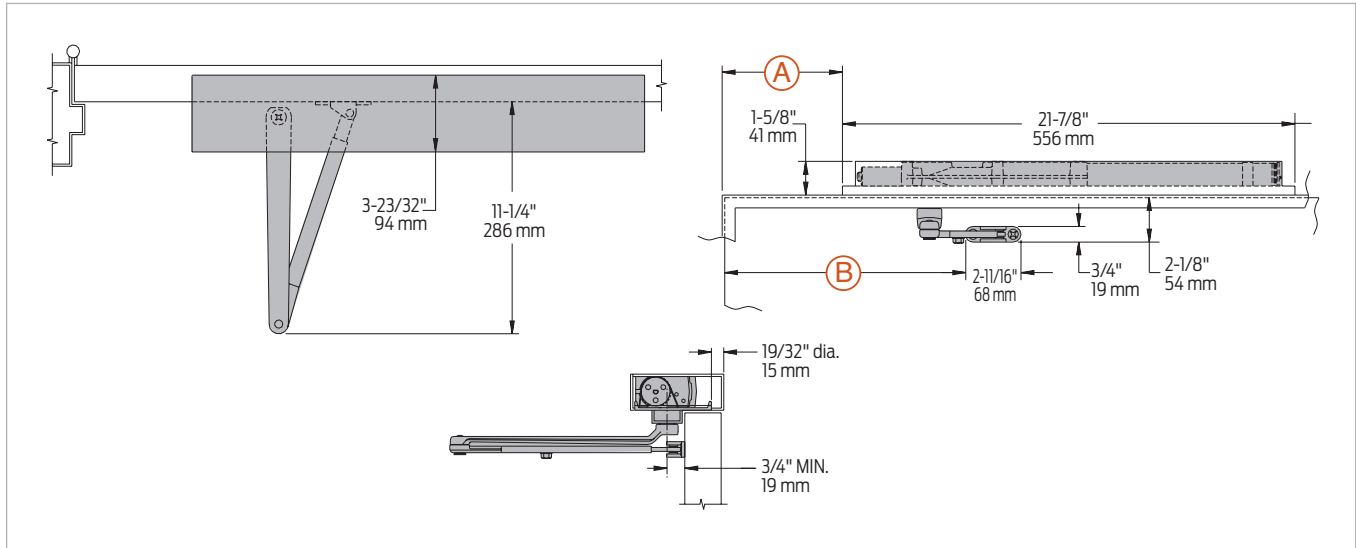


Closer available with less than 5.0 lbs. opening force on 36" door.

* Maximum opening/hold open point with standard template. See individual closer series for degrees of opening per installation.

Mounting details

Concealed mounting



Butt hinges	Should not exceed 6" (152 mm) in width
Auxiliary stop	Recommended at hold open point or where the door cannot swing 180°
Top rail	Minimum 2 1/8" (54 mm) required
Door thickness	Maximum 1 3/4" (44 mm), for doors thicker than 1 3/4" consult factory
Wood frame	<ul style="list-style-type: none"> Installation simplified by wood mounting clip set 5030-416 for center pivoted or 5030-417 for offset pivoted and butt hung installations Consult factory for preparation details
Maximum opening	<p>Butt hung doors can be templated for:</p> <p>100°: A = 5 13/16" (148 mm) B = 11 13/16" (300 mm)</p> <p>180°: A = 2 1/16" (52 mm) B = 8 1/16" (205 mm) trim permitting</p> <ul style="list-style-type: none"> Hold open points up to 100° only with Hold Open Arm (H) Center pivot mounting restricts opening to 120°. Hold open up to 120° with Hold Open Arm (H) Offset pivot mounting allows up to 115°, trim permitting. Hold open up to 115° with Hold Open Arm (H)

- Notes:
- For interior or exterior doors
 - Single acting cylinder in head frame
 - Exposed arm on push side of door

5030 Series

Accessories

Cylinders



5031(3)(4)(5)(6)-3071
Cast iron cylinder assembly with mounting plate (CYL)

- Handed
- With mounting plate
- Standard

Arms



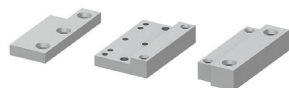
5030-3077
Regular Arm (REGARM)

- Non-handed

5030-3049
Hold Open Arm (H)

- Handed
- Provides hold open function for 100° template, adjustment at elbow
- Optional

Installation accessories



5030-416
Wood Mounting Clip Set

- Simplifies mounting center pivoted 5030 closer in wood frame
- Includes latch stile clip, hinge stile clip and cover
- For use with Ives center pivots
- Consult factory for special template



5030-417
Wood Mounting Clip Set

- Simplifies mounting offset pivoted or butt hung 5030 closer in wood frame
- Includes two clips
- For use with offset pivots
- Consult factory for special template