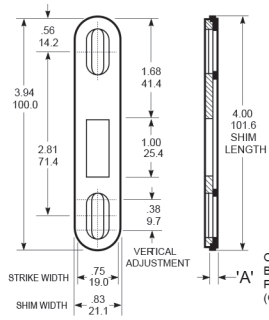
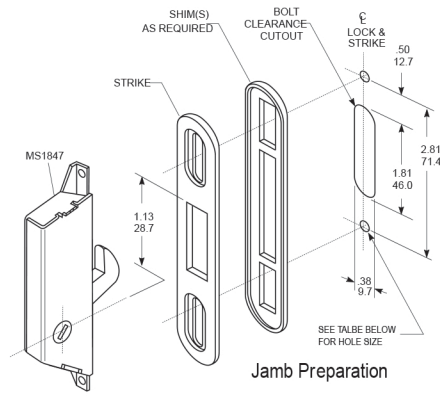


INCHES
MILLIMETERS
Nominal, subject to tolerance extremes.



ONE OR MORE SHIM(S) MAY BE USED TO ACHIEVE GREATER PROJECTION 'A' FROM JAMB (ONE SHIM SHOWN)



Jamb Preparation

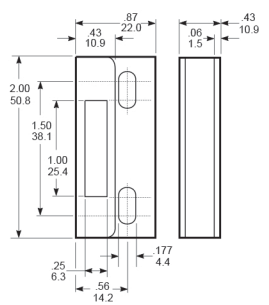
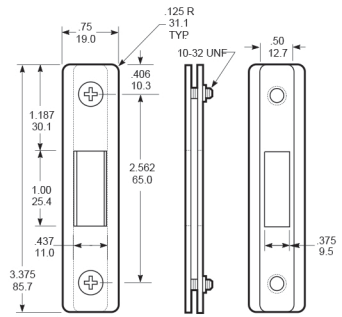
4800 Series

PART NO.	SHIMS	DIMENSION 'A'	APPLICATION
4801	None	0"	METAL JAMBS (Furnished with two #8 x 1 1/2 sheet metal screws.)
4801-01	1	3/32" 2.4	
4801-02	2	3/16" 4.8	
4801-03	3	9/32" 7.1	

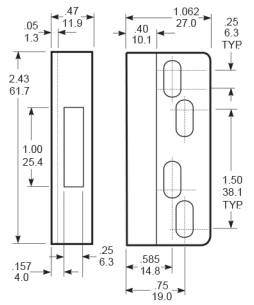
PART NO.	SHIMS	DIMENSION 'A'	APPLICATION
4802	None	0"	WOOD JAMBS (Furnished with two #8-32 x 7/8 machine screws and two lock nuts.)
4802-01	1	3/32" 2.4	
4802-02	2	3/16" 4.8	
4802-03	3	9/32" 7.1	

	HOLE SIZE
METAL JAMB APPLICATION 4801 SERIES	.120 (No. 31 DRILL)
WOOD JAMB APPLICATION 4802 SERIES	.213 (No. 3 DRILL)

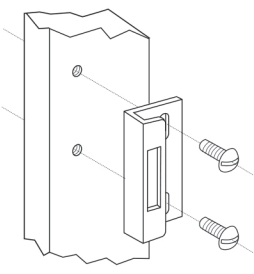
MS4804



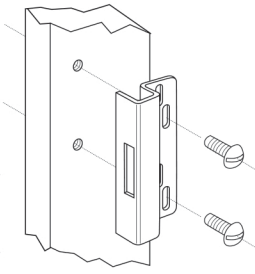
4803



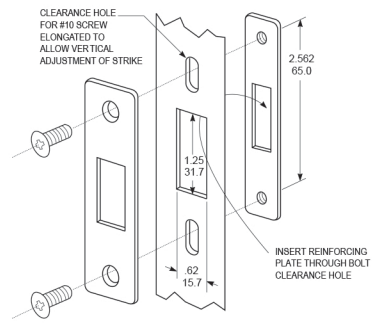
4806



4803



4806



ADAMS RITE MANUFACTURING CO.

260 Santa Fe Street, Pomona, CA 91767
Phone: (909) 632-2300 Fax: (909) 632-2369

4800 Series Strikes