

Deadlock Trim – Push/Pull Paddles

Push / Pull Paddle – 459 and 457 Series

Paddles provide an alternate to knob or lever handles. Push or pull in the direction of the door swing to unlatch.

The 459 Series provides the standard paddle function.

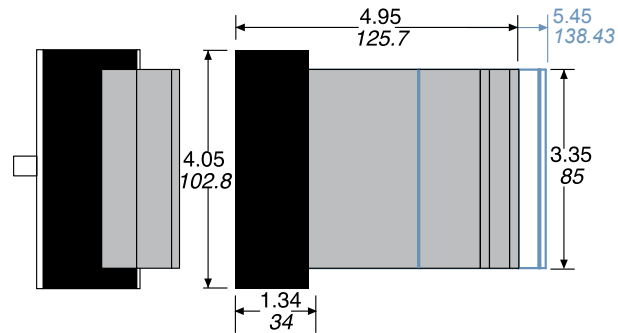
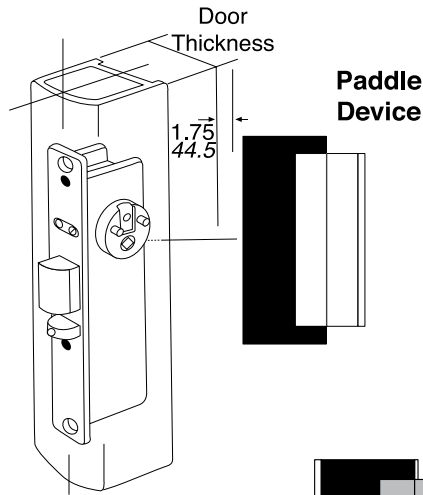
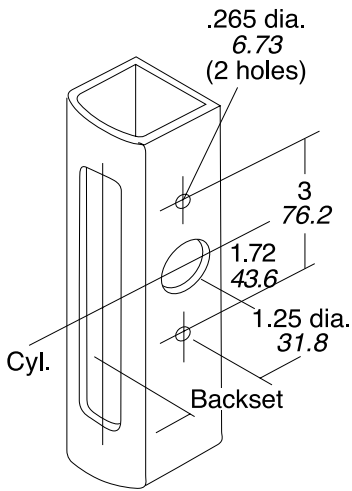
457 Series is ergonomic and ADA friendly; providing additional clearance between the handle and door escutcheon. The dogging screw is located on the top of the paddle. The dogging feature is activated by turning the hex key (included) in the escutcheon; holding the paddle down and leaving the door free-swinging.

- Corrosion resistant extruded aluminum construction
- Escutcheon is zinc alloy with black hard coat finish
- Double spring escutcheon construction for durability
- Self-adhesive Push or Pull decals included
- Binder post insures secure attachment of the Push/Pull handle to the door
- Available in four operation modes (Pull Left, Pull Right, Push Left, Push Right)
- Field reversible handing using Push/Pull feature and cam plug (CP456) included
- Cycle testing exceeds ANSI Grade 1 standards

Door Thickness: 1 3/4" (44.45 mm)
Escutcheon: 1 3/8" x 4" (34 mm x 101.6 mm)

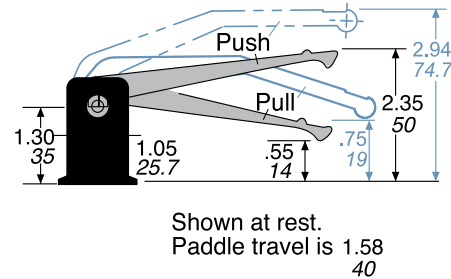


Stile Preparation



459 / 457

Paddle Device



How To Order Push / Pull Paddles

459 - 01 - 00 - 628



1	MODEL NO.	2	OPERATION	3	DOOR THICKNESS	4	FINISH
459	Original Paddle	01	Pull to Left	00	1 3/4" (44.45mm)	628	Aluminum (AL)
457	Trend Paddle	02	Push to Left			313	Duronotic Dark Bronze (DU)
		03	Pull to Right			335	Black (BLK)
		04	Push to Right				

Replacement Parts for Levers & Push / Pull Paddles

Product	Description	Paddle Door Thickness	Lever Door Thickness
CP456-RH	Right Hand Cam Plug	1 3/4" (44.45 mm)	2" (50.8 mm)
CP456-LH	Left Hand Cam Plug	1 3/4" (44.45 mm)	2" (50.8 mm)
CP456-RH-1	Right Hand Cam Plug	1 13/16" – 2" (46mm – 50.8mm)	2 1/4" - 2 1/2" (57.15mm-63.5mm)
CP456-LH-1	Left Hand Cam Plug	1 13/16" – 2" (46mm – 50.8mm)	2 1/4" - 2 1/2" (57.15 mm -63.5mm)
CP456-RH-2	Right Hand Cam Plug	2 1/4" – 2 1/2" (57.15mm – 63.5mm)	2 3/4" - 3" (69.85mm-76.2mm)
CP456-LH-2	Left Hand Cam Plug	2 1/4" – 2 1/2" (57.15mm – 63.5mm)	2 3/4" - 3" (69.85mm- 76.2mm)
9160	Paddle Spring Kit		