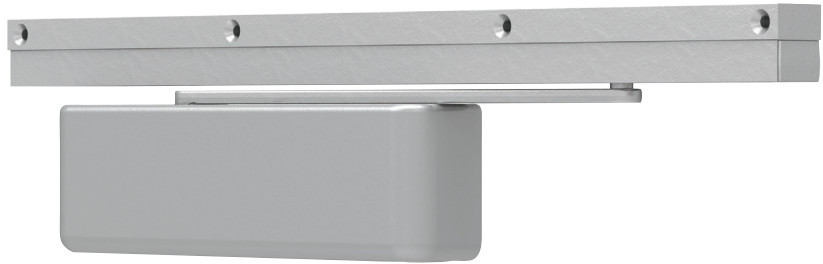


# 4510T Series



The 4510T Smoothee Series is a heavy duty, high security track closer with special components to minimize tampering and vandalism. Forged steel single lever arm and heavy gauge metal security cover are designed for correctional, vandal prone, institutional and other high traffic interior applications. A choice of finishes and cylinder functions meet correctional and vandal resistant requirements.

## Features

<b>Certifications</b>	Grade 1 - ANSI A156.4, UL 10C, ADA, 100 Hour Salt Spray, Meets BAA - Buy American Act Note: 4511T cylinder meets ADA.	<b>Cover</b>	Metal Cover (MC)
<b>Body construction</b>	<ul style="list-style-type: none"> <li>Cast iron body</li> <li>Full complement bearing</li> <li>1 1/2" Diameter piston</li> <li>1/16" diameter double heat treated pinion journal</li> </ul>	<b>Fasteners</b>	Torx Machine Screws (TORX)
<b>Fluid</b>	All weather fluid	<b>Mounting</b>	Hinge (pull side)
<b>Handing</b>	Handed	<b>Arms</b>	Standard security arm, security track (non hold open) and track roller
<b>Size</b>	Sized 1, 3 or 4	<b>Finishes/colors/ powder coat</b>	<ul style="list-style-type: none"> <li>689 Aluminum</li> <li>690 Statuary Bronze</li> <li>691 Light Bronze</li> <li>693 Black</li> <li>695 Dark Bronze</li> <li>696 Brass</li> <li>Custom colors optional</li> <li>Optional SRI primer - powder coat only</li> <li>Optional plated finishes</li> </ul>
<b>Warranty</b>	15 years		

**Special templates** | Customized installation templates or products may be available to solve non-standard applications. Contact LCN Product Support for assistance.

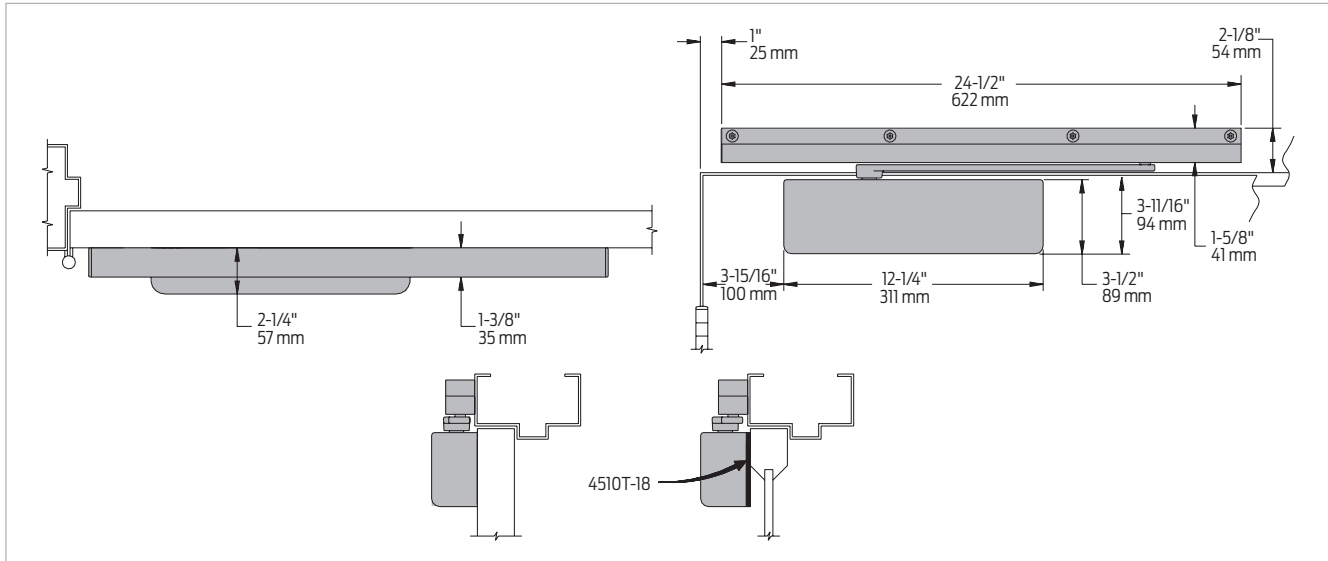
Mounting	Finish	Cover	Cylinder	Arm function*
Hinge (pull) side	Plastic	Handed	Accessibility	Standard (single)
Parallel arm (push)	Metal	Non-sized	Delay action	EDA
Stop face		Sized	CYLAV/B**	CUSH/HCUSH
Concealed (frame)			DPS	
Powder coat				
Plated				

■ Available  
■ Not available

♿ Closer available with less than 5.0 lbs. opening force on 36" door.  
 \* Maximum opening with standard template.  
 \*\* Advanced Variable Backcheck.

## Mounting details

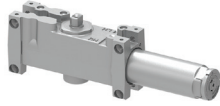
### Hinge (pull side) mounting



Butt hinges	Should not exceed 5" (127 mm) in width
Auxiliary stop	Recommended where a door cannot swing 180°
Reveal	Reveal should not exceed 1/8" (3 mm)
Clearance	2 1/4" (57 mm) behind door required for installation
Top rail	<ul style="list-style-type: none"> <li>▪ Less than 3 3/4" (95 mm), requires plate 4510T-18</li> <li>▪ Plate requires 2" (51mm) minimum top rail</li> </ul>
Head frame	Minimum 2 1/8" (54 mm)
Advanced Variable Back Check	<ul style="list-style-type: none"> <li>▪ Cylinder starts back check at approximately 45° instead of the normal 75°</li> <li>▪ Add suffix "CYLAVB" to selected cylinder</li> </ul>
Maximum opening	<ul style="list-style-type: none"> <li>▪ Templating allows 180°</li> <li>▪ Consult factory if door will be held open at 180°</li> </ul>
Options	Advanced Variable Back Check cylinder (CYLAVB)

## Accessories

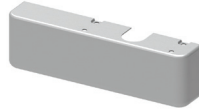
### Cylinders



**4511T(3)(4)-3071  
Cast iron cylinder  
assembly (CYL)**

- Handed
- Cast iron
- Standard

### Covers



**4510T-72MC  
Metal Cover (MC)**

- Handed
- Four point torx mounting for extra security
- Closer adjustments not accessible with cover installed

### Arm



**4510T-3077T  
Standard Security Arm  
(STDTRKSECARM)**

- Handed
- Solid forged steel, large cross section arm
- Special threaded attachment of track roller for potentially abusive installations
- Double slab arm/pinion attachment for maximum strength
- Can only be used with high security track roller, 4510T-3034

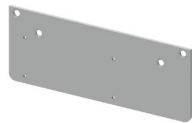
### Tracks



**4510T-3038  
Standard Security Track (STDSECTRK)**

- Non-handed
- Designed to eject foreign objects placed in track during either opening or closing motion
- Requires track roller, 4510T-3034

### Installation accessories



**4510T-18  
Plate**

- Required where top rail is less than 3 3/4" (95 mm)
- Requires minimum 2" (51 mm) top rail



**4510T-3034  
Security Track Roller**

- Low friction track roller threads into 4510T-3077T arm for extra strength and security
- Can not be removed without disconnecting arm from closer