

# 4410ME Series

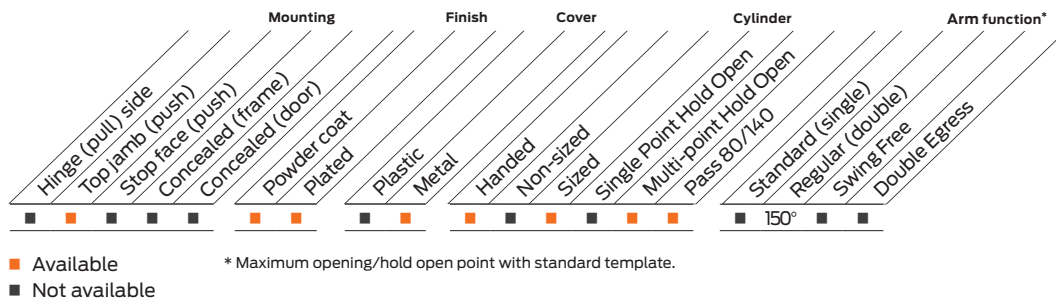


The 4410ME SENTRONIC® is a heavy duty, electrically controlled closer/holder designed to provide infinitely adjustable hold open for fire and smoke barrier doors. Double lever arm closer is specifically designed for interior doors.

## Features

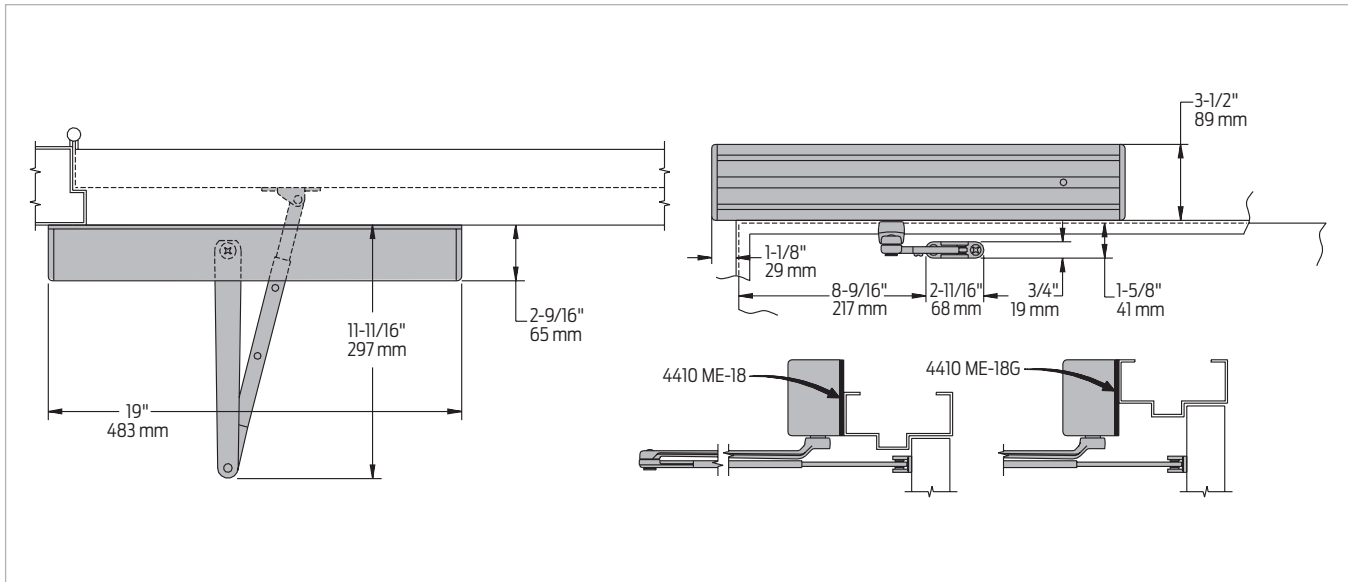
<b>Certifications</b>	Grade 1 - ANSI A156.15, UL 10C, 100 Hour Salt Spray, Meets BAA - Buy American Act, NFPA 101	<b>Cover</b>	Metal, standard
<b>Body construction</b>	<ul style="list-style-type: none"> <li>■ Cast iron body</li> <li>■ Full complement bearing</li> <li>■ 1 1/2" diameter piston</li> <li>■ 11/16" diameter double heat treated pinion journal</li> </ul>	<b>Fasteners</b>	Wood and Machine Screws (WMS)
<b>Fluid</b>	All weather fluid	<b>Mounting</b>	Top jamb (push side)
<b>Handing</b>	Handed	<b>Arms</b>	Regular Arm
<b>Size</b>	Sized, 4 only	<b>Finishes/colors/ powder coat</b>	<ul style="list-style-type: none"> <li>■ 689 Aluminum paint</li> <li>■ 690 Statuary Bronze paint</li> <li>■ 691 Light Bronze paint</li> <li>■ 693 Black paint</li> <li>■ 695 Dark Bronze paint</li> <li>■ 696 Brass paint</li> <li>■ Custom colors optional</li> </ul>
<b>Warranty</b>	2 years	<b>Wiring</b>	<ul style="list-style-type: none"> <li>■ Concealed or surface wiring</li> <li>■ Interfaces with fire alarm system</li> </ul>

**Special templates** | Customized installation templates or products may be available to solve non-standard applications. Contact LCN Product Support for assistance.



## Mounting details

### Top jamb (push side) mounting



Butt hinges	Should not exceed 4 1/2" (114 mm) in width
Top rail	<ul style="list-style-type: none"> <li>1 3/4" (44 mm) minimum</li> <li>3 3/4" (95mm) minimum with flush ceiling</li> </ul>
Reveal	<ul style="list-style-type: none"> <li>3 7/8" (98 mm) maximum Regular or Long Arm</li> <li>For reveals greater than 3 7/8" consult factory</li> </ul>
Head frame	<ul style="list-style-type: none"> <li>Requires 1 1/2" (38 mm) minimum</li> <li>2" (51 mm) minimum with flush ceiling</li> </ul>
Flush ceiling	Requires plate, 4410ME-18G substituted for standard mounting plate
Bypass	<ul style="list-style-type: none"> <li>(Suffix "CYLB80" or "CYLB140") eliminates hold open function up to a specified point of door swing</li> <li>CYLB80 cylinder from 0° to 80°</li> <li>CYLB140 cylinder from 0° to 140°</li> </ul>
Maximum opening	<ul style="list-style-type: none"> <li>Templating allows 160°, with hold open points up to 150°</li> <li>Optional Long Arm allows 180°, hold open points up to 170°</li> </ul>
ME electrical options	<ul style="list-style-type: none"> <li>These assemblies have a single electrical circuit with a choice of voltages</li> <li>A separate transformer, 4040SE-3210, can be used to reduce line voltage to 24V AC</li> <li>Circuitry accepts either AC or DC input</li> <li>Please specify 24V or 120V</li> </ul>
Options	<ul style="list-style-type: none"> <li>Hold open bypass</li> <li>Optional Long Arm allows 180° with hold open points up to 170°</li> <li>Optional -18G plate accommodates flush ceiling conditions</li> <li>24V or 120V volt input, please specify</li> </ul>
ME wiring diagram	See <a href="#">page 27</a> for typical wiring and electrical diagram

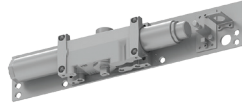
## Accessories

### Cylinders



**4414ME-3971  
Cast iron cylinder  
assembly (CYL)**

- Handed
- Cast iron
- Specify 24V or 120V
- Standard



**4414ME-3071  
Cast iron cylinder assembly (CYL)**

- Handed
- "On/Off" switch assembly controls hold open function
- Circuitry accepts either AC or DC input
- Please specify 24V or 120V
- Standard

### Cover



**4410ME-72MC  
Metal Cover (MC)**

- Handed

### Arms



**4410ME-3077  
Regular Arm (REGARM)**

- Non-handed
- 3 7/8" (98 mm) maximum reveal

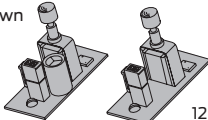


**4410ME-3077L  
Long Arm (LONG)**

- For increasing opening to 180°
- 3 7/8" (98 mm) maximum reveal
- Optional

### Switch

24V shown



120V shown

**4410ME-3351  
ME Switch Assembly**

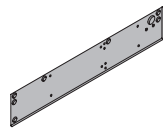
- Provides continuous hold open function
- Available as 24V or 120V, please specify

### Installation accessories



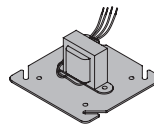
**4410ME-18  
Mounting Plate**

- Standard



**4410ME-18G  
Mounting Plate**

- Substituted for standard plate on flush ceiling installations
- Optional



**4410ME - 3210  
Transformer**

- Reduces line voltage from 120V to 24V AC
- Mounted on cover for 4" (102 mm) x 4" x 2 1/8" (54 mm) junction box (by others)



**4410ME-3354  
ME Wiring Harness**

- Three wire harness with 6" (152 mm) leads for field wiring connections