

Overhead Concealed Closers



RIXSON
ASSA ABLOY

ASSA ABLOY, the global leader
in door opening solutions

Rixson Overhead Concealed closers offer an aesthetically appealing way to close a door. In situations where a closer is needed but concealment is required, Rixson offers several different series to meet your application demands. Concealed for minimal appearance, these offset hung or center hung (single or double acting) door closers provide control without sacrificing the aesthetics of the opening.



Model 91 Shown

Series	Architectural Grade	Commodity Grade	Single Acting	Double Acting	Handed	ADA Compliant Model Available	Grade 1 Certified	Door Weight
90	•		•		•	•	•	250 lbs
700	•		•		•			200 lbs
800	•			•				200 lbs
0608		•	•					200 lbs
608		•	•	•				200 lbs

TABLE OF CONTENTS

General Information3

Specifications3

90 Series..... 4-5

90 Parts List..... 6-7

700/800 Series..... 8-11

700/800 Parts List..... 12-15

0608 Series..... 16-17

0608 Parts List..... 18-19

608 Series..... 20-21

608 Parts List..... 22-25

GENERAL INFORMATION

Non-Hold Open closers do not hold the door open. This feature cannot be changed in the field on the 608, 700, or 800 series closers.

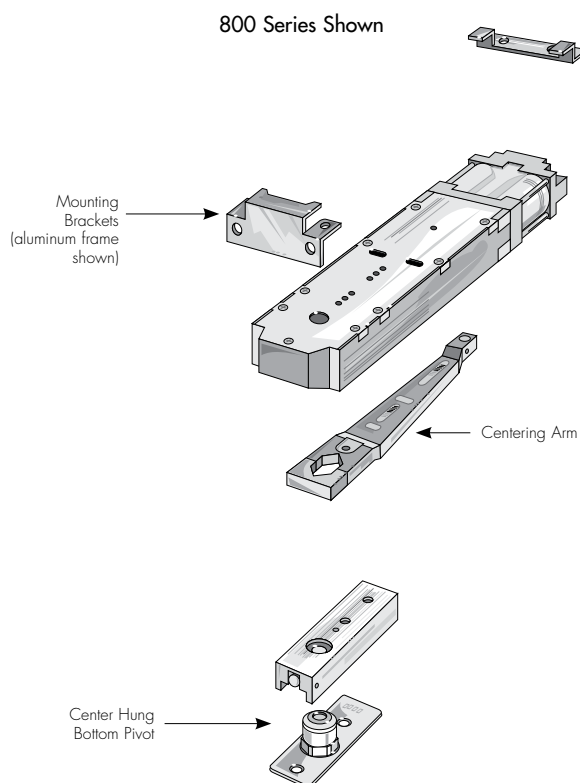
Hold Open closers hold the door open. This feature cannot be changed in the field on the 608, 700, or 800 series closers.

The degree of swing must be specified on some closers (refer to specific product pages for requirements).

When the door closer must be concealed above the ceiling or drywall, a longer or extended spindle is required. Extended spindles are available 1/2" longer than standard. Closer adjustment valves must always be accessible.

End caps are used to cover the mortise edges for wood doors on center hung 608 and 700/800 models. Two 199 End Caps can be furnished; one for the top arm and one for the bottom pivot.

Mounting brackets or boxes for aluminum, wood or metal frames must be specified when ordering the 608 and 700/800 series.



SPECIFICATIONS

Model 91:

Model 91 shall be used for offset hung doors. Closer shall fit in a 1-3/4 x 4 aluminum tube. Closer shall have adjustable spring that complies to accessibility codes. Adjustable spring, backcheck, and closing speed valves must be accessible after door is installed. Where applicable, a hold open feature is achieved in the track. Closer shall be Grade 1 per ANSI A156.4. Closer shall be fire rated UL10C for doors tested for overhead concealed products up to 3 hours.

Models 700/800

Model 700 for single acting center hung doors. Hydraulic closer mechanism to fit in minimum 1-3/4" x 4" aluminum frame. Closer shall have a sized spring determined by the door width. Adjustable hydraulic backcheck and closing speed valves. Closers for single acting doors shall be handed and preloaded for positive closing action. Vertically adjustable center hung bottom pivot included. For double acting doors, use model 800 with adjustable closing speed for each swing direction. Hold open (option) is achieved through the closer body and degree called out.

Model 608

Compact cast iron body to fit in minimum 1-3/4 x 4" aluminum frame. Closer shall have separate and independent closing and latch speed control valves. Optional hold open at 90 or 105°. For center hung applications, arm shall have door centering adjustments and be directly connected to the closer spindle. Closer body is non-handed, single or double acting. Vertically adjustable center hung bottom pivot included. For independently hung doors use model 0608 with slide track arm and channel.

MODEL 91

Application

- Exterior or interior doors
- Door weight up to 250 lbs.
- Maximum door size: interior 4'6" x 8'0"; exterior 4'0" x 8'0"
- Minimum aluminum frame size 1-3/4" x 4"



Features

- Single acting, offset hung
- Heavy-duty cast iron closer body
- Forged arms
- Steel alloy track
- One-piece mounting plate
- 1-1/4" piston diameter
- Adjustable spring 3-6 for larger doors or fire rated openings (specify 91)
- Adjustable spring 1-3 for lighter opening force (specify PH91 – ADA compliant)
- Handed
- Staked, brass adjusting valves
- Product shipped with all wood and all metal screws
- Separate and independent closing speed and latch speed valves
- Separate and independent hydraulic backcheck valve
- All weather fluid (accommodates a temperature range from - 40° to 150°F.)
- Hanging means by others. If products other than 3/4" offset pivots or 4-1/2" x 4-1/2" butt hinges are used, contact factory for special templating and pricing
- 5 year limited warranty

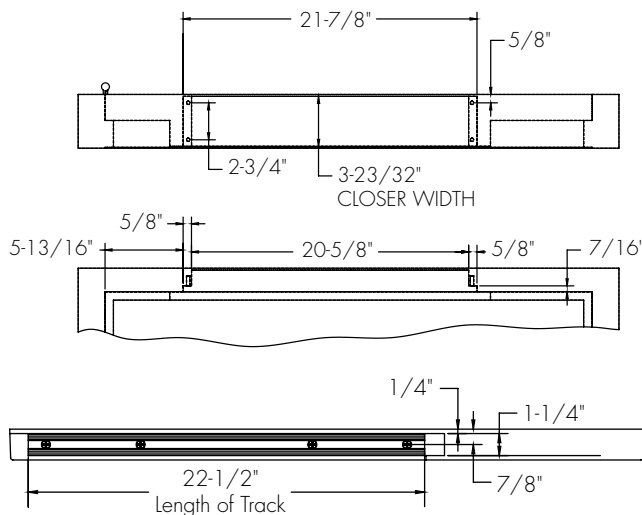
Optional Features

- Hold open; can be achieved by adding hold open assembly to track. Specify 91H. (Standard hold open with pivot is 85°; 85°-105° with butt hinges)
- Extended spindle; 1/2" longer than standard closer spindle. Must be ordered as part of the closer; cannot be added later
- Wood frame; specify prefix W (W91N, WPH91N, W91H, WPH91H)

Compliance

- ANSI/C05031/C05041
- A156.4 Grade 1 certified
- UL / cUL listed for use on fire rated doors
- UL10C listed for positive pressure fire test. Ratings are 3 hours for hollow metal door and 1-1/2 hour rated wood doors. PH91 not recommended.
- PH91 meets requirements for Americans with Disabilities Act (ADA)

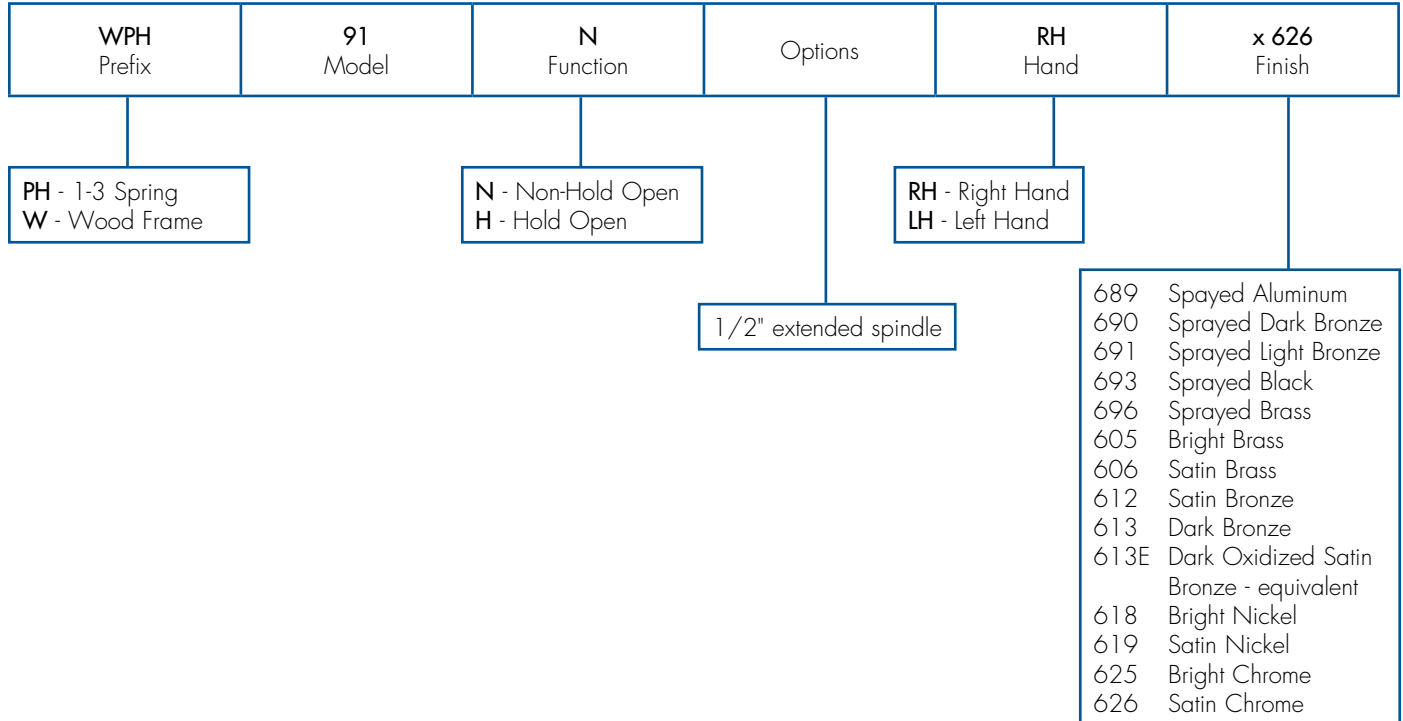
Technical Info



OVERHEAD CONCEALED CLOSERS ARCHITECTURAL GRADE/OFFSET HUNG

MODEL 91

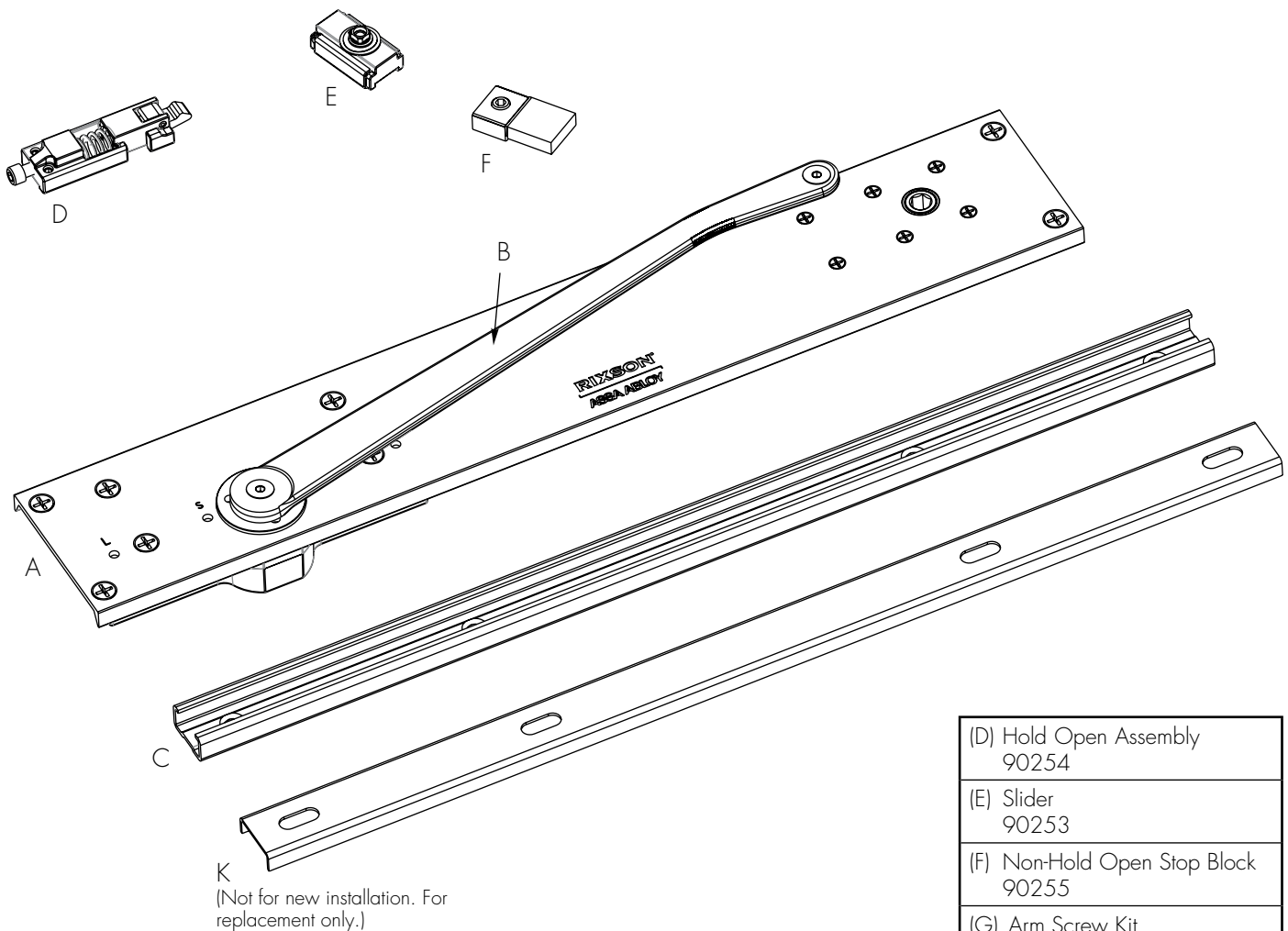
How to Order



MODEL 91

Packages
Right Hand Arm Package 90237-***PKG (includes 90237, 90259 and 90253)
Left Hand Arm Package 90236-***PKG (includes 90236, 90259 and 90253)
Non-Hold Open Track Assembly 90255-ASY (includes 90255, 90242 and 90239)
Hold Open Track Assembly 90254-ASY (includes 90254, 90242 and 90239)

(A) Closer Body (Specify hand, function, finish x LAP)
(B) Arm 90236-*** (LH) 90237-*** (RH)
(C) Track 90239



(D) Hold Open Assembly 90254
(E) Slider 90253
(F) Non-Hold Open Stop Block 90255
(G) Arm Screw Kit 90259-***
(H) Closer Screw Kit 90241-***
(J) Track Screw Kit 90242
(K) Retrofit Track Spacer and Screws (Consult Factory)

Left hand shown
 *specify finish

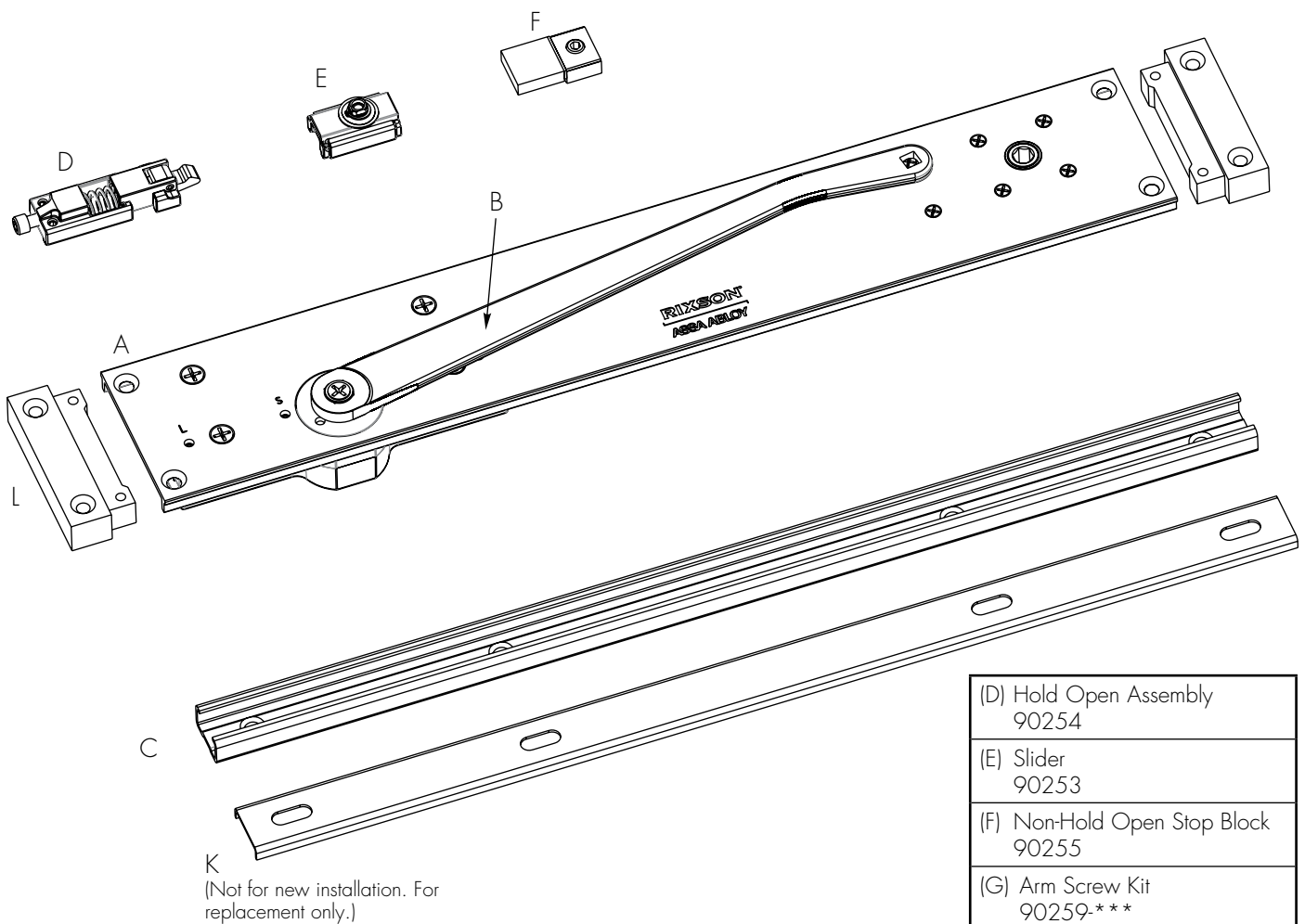
OVERHEAD CONCEALED CLOSERS

PARTS LIST

MODEL W91

Packages
Right Hand Arm Package 90237-***PKG (includes 90237, 90259 and 90253)
Left Hand Arm Package 90236-***PKG (includes 90236, 90259 and 90253)
Non-Hold Open Track Assembly 90255-ASY (includes 90255, 90242 and 90239)
Hold Open Track Assembly 90254-ASY (includes 90254, 90242 and 90239)

(A) Closer Body (Specify hand, function, finish x LAP)
(B) Arm 90236-*** (LH) 90237-*** (RH)
(C) Track 90239



(D) Hold Open Assembly 90254
(E) Slider 90253
(F) Non-Hold Open Stop Block 90255
(G) Arm Screw Kit 90259-***
(H) Closer Screw Kit 90241-***
(I) Track Screw Kit 90242
(J) Retrofit Track Spacer and Screws (Consult Factory)
(L) Wood Frame Clip 90257-***

Left hand shown
*specify finish

MODEL 700

Application

- Exterior or interior doors
- Door weight up to 200 lbs.

Features

- Single acting
- Handed
- Available non-hold open (N) or automatic hold open (A). Specify 90° or 105°, N or A.
- Frame stop required. See Door Control Accessories, page 8 #60131. Order separately.
- Adjustable closing speed valve
- Adjustable hydraulic backcheck
- Includes 2183020 bottom pivot
- Product should always be used with auxiliary stop
- 2 year limited warranty

Optional Features

- Extended spindle; 1/2" longer than standard closer spindle. Must be ordered as part of the closer; cannot be added later
- End cap 199 for top and bottom of wood door

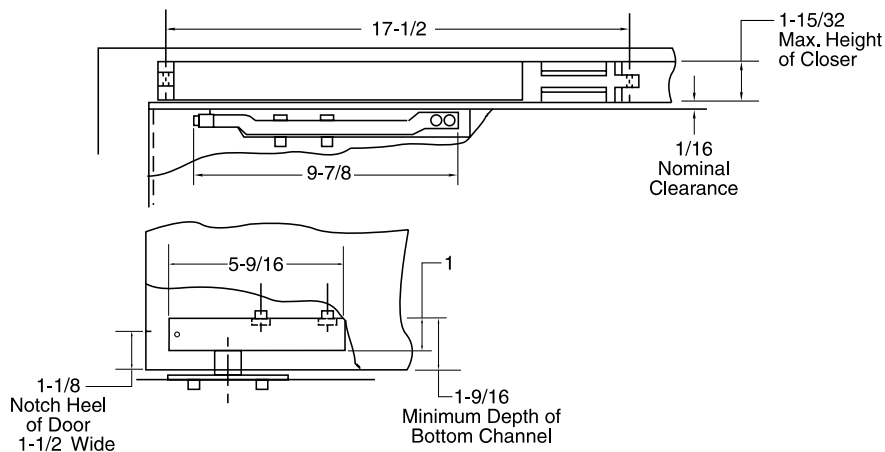
Compliance

- ANSI CO5052
- Compliant to ANSI A156.4 standards

Models

- 700 should be used on aluminum doors and frames. Package includes closer body, arm, frame mounting clips 1639000 and bottom pivot 2183020. Frame size 1-3/4" x 4" minimum.
- M700 should be used on metal doors and frames. Package includes closer body, arm, cover plate, frame mounting channel 1929000* and bottom pivot 2183020. Frame size 2"x 5-1/2" minimum.
- MW700 should be used on wood doors and metal frames. Package includes closer body, arm, cover plate, frame mounting channel 1929000* and bottom pivot 2183020. Frame size 2"x 5-1/2" minimum.
- W700 should be used on wood doors and frames. Package includes closer body, arm, cover plate, frame mounting channel 1980910 and bottom pivot 2183020. Frame size 2"x 5-1/2" minimum.

Technical Info



Closer shown with cover, furnished with W, M, MW models

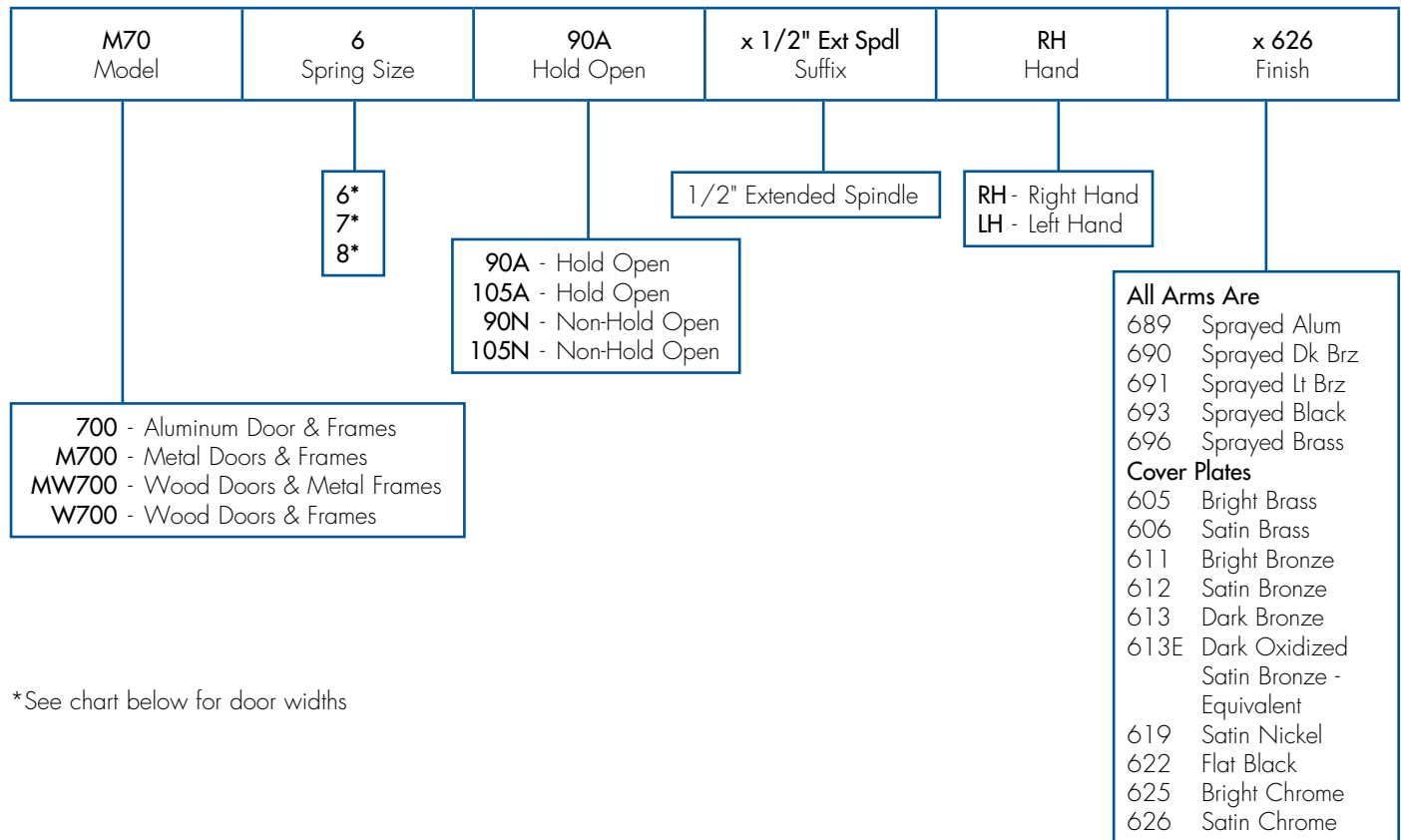
*Note that mounting channels must be welded into frames prior to shipment to job site.

OVERHEAD CONCEALED CLOSERS

ARCHITECTURAL GRADE/SINGLE ACTING CENTER HUNG

MODEL 700

How to Order



*See chart below for door widths

Sized Spring

<p>706, M706, MW706, W706 Exterior 2'6" x 8'0" (762 x 2438mm) Interior 3'0" x 8'0" (914 x 2438mm)</p>	<p>707, M707, MW707, W707 Exterior 3'0" x 8'0" (914 x 2438mm) Interior 3'3" x 8'0" (991 x 2438mm)</p>	<p>708, M708, MW708, W708 Exterior 3'6" x 8'0" (1067 x 2438mm) Interior 3'8" x 8'0" (1118 x 2438mm)</p>
--	--	--

MODEL 800

Application

- Exterior or interior doors
- Door weight up to 200 lbs.

Features

- Double acting
- Non-handed
- Available non-hold open (N) or automatic hold open (A). Specify 90° or 105°, N or A
- Adjustable closing speed valve
- Includes 2183020 bottom pivot
- Product should always be used with auxiliary floor or wall stop
- 2 year limited warranty



Optional Features

- Extended spindle; 1/2" longer than standard closer spindle. Must be ordered as part of the closer; cannot be added later
- End cap 199 for top and bottom of wood door

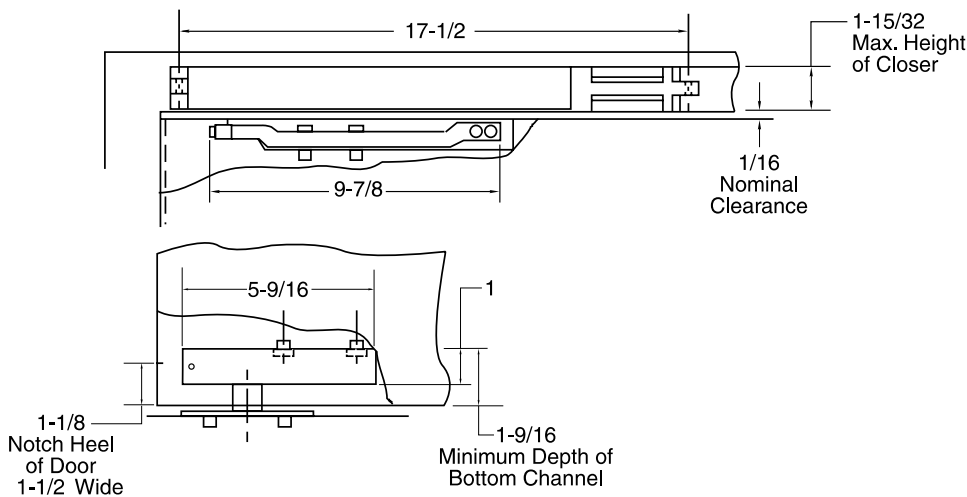
Compliance

- ANSI CO5052/CO5062
- Compliant to ANSI A156.4 standards

Models

- 800 should be used on aluminum doors and frames. Package includes closer body, arm and frame mounting clips 1639000 and bottom pivot 2183020. Frame size 1-3/4" x 4".
- M800 should be used on metal doors and frames. Package includes closer body, arm, cover plate, frame mounting channel 1929000* and bottom pivot 2183020. Frame size 2" x 5-1/2".
- MW800 should be used on wood doors and metal frames. Package includes closer body, arm, cover plate, frame mounting channel 1929000* and bottom pivot 2183020. Frame size 2" x 5-1/2".
- W800 should be used on wood doors and frames. Package includes closer body, arm, cover plate, frame mounting channel 1980910, and bottom pivot 2183020. Frame size 2" x 5-1/2".

Technical Information



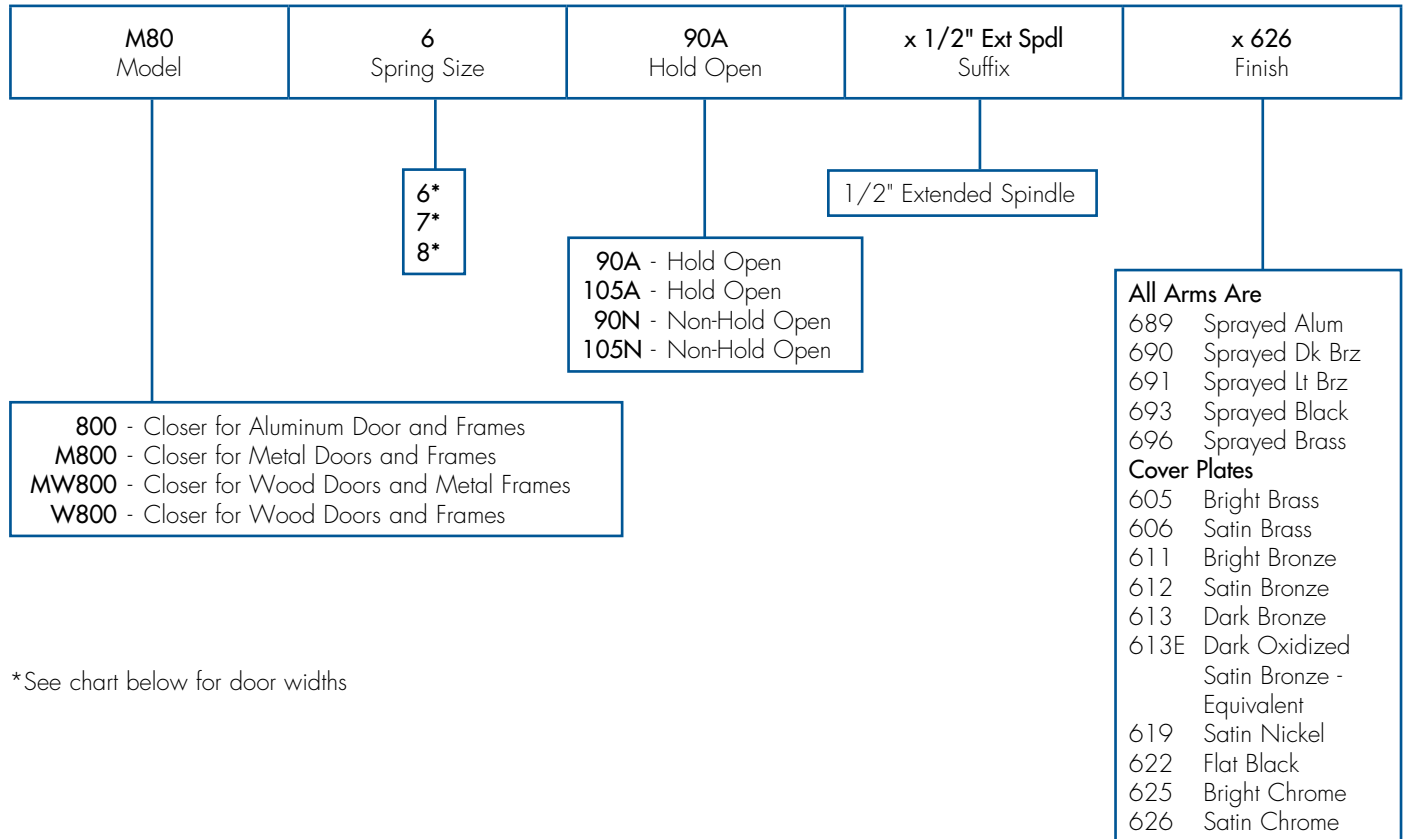
*Note that mounting channels must be welded into frames prior to shipment to job site.

OVERHEAD CONCEALED CLOSERS

ARCHITECTURAL GRADE/DOUBLE ACTING CENTER HUNG

MODEL 800

How to Order



*See chart below for door widths

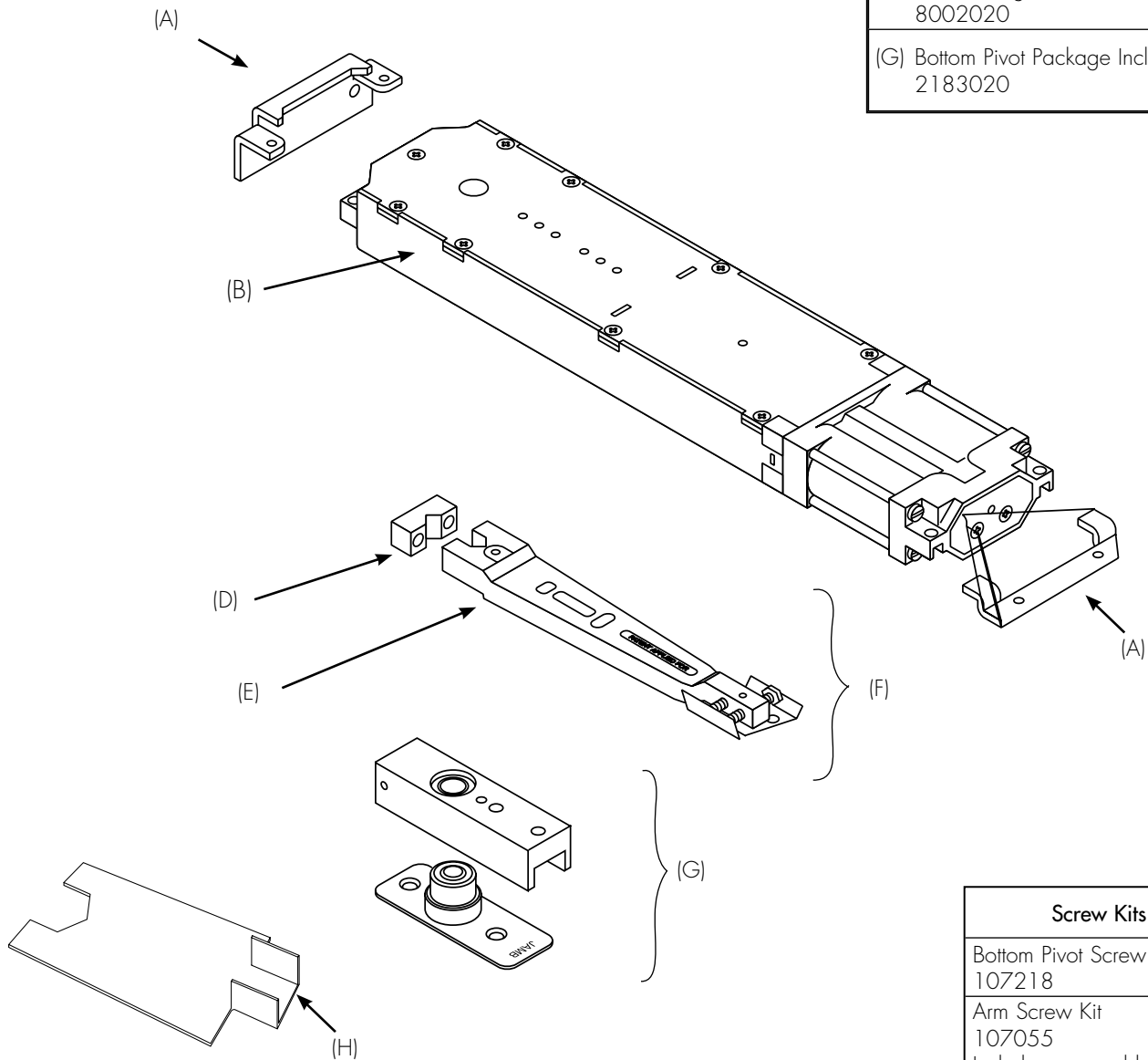
Sized Springs

806, M806, MW806, W806	807, M807, MW807, W807	808, M808, MW808, W808
Exterior 2'6" x 8'0" (762 x 2438mm)	Exterior 3'0" x 8'0" (914 x 2438mm)	Exterior 3'6" x 8'0" (1067 x 2438mm)
Interior 3'0" x 8'0" (914 x 2438mm)	Interior 3'3" x 8'0" (991 x 2438mm)	Interior 3'8" x 8'0" (1118 x 2438mm)

700/800

(D) Arm Block 808075-1
(E) Arm Assembly 808175

(A) Attaching Bracket 1639000
(B) Closer Body (Specify Complete Model No. x LAP)
(F) Arm Package 8002020
(G) Bottom Pivot Package Includes H 2183020



(H) Pivot Wrench
218007

Screw Kits
Bottom Pivot Screw Kit 107218
Arm Screw Kit 107055 Includes arm end block
Arm Block Screw 806018-PKG

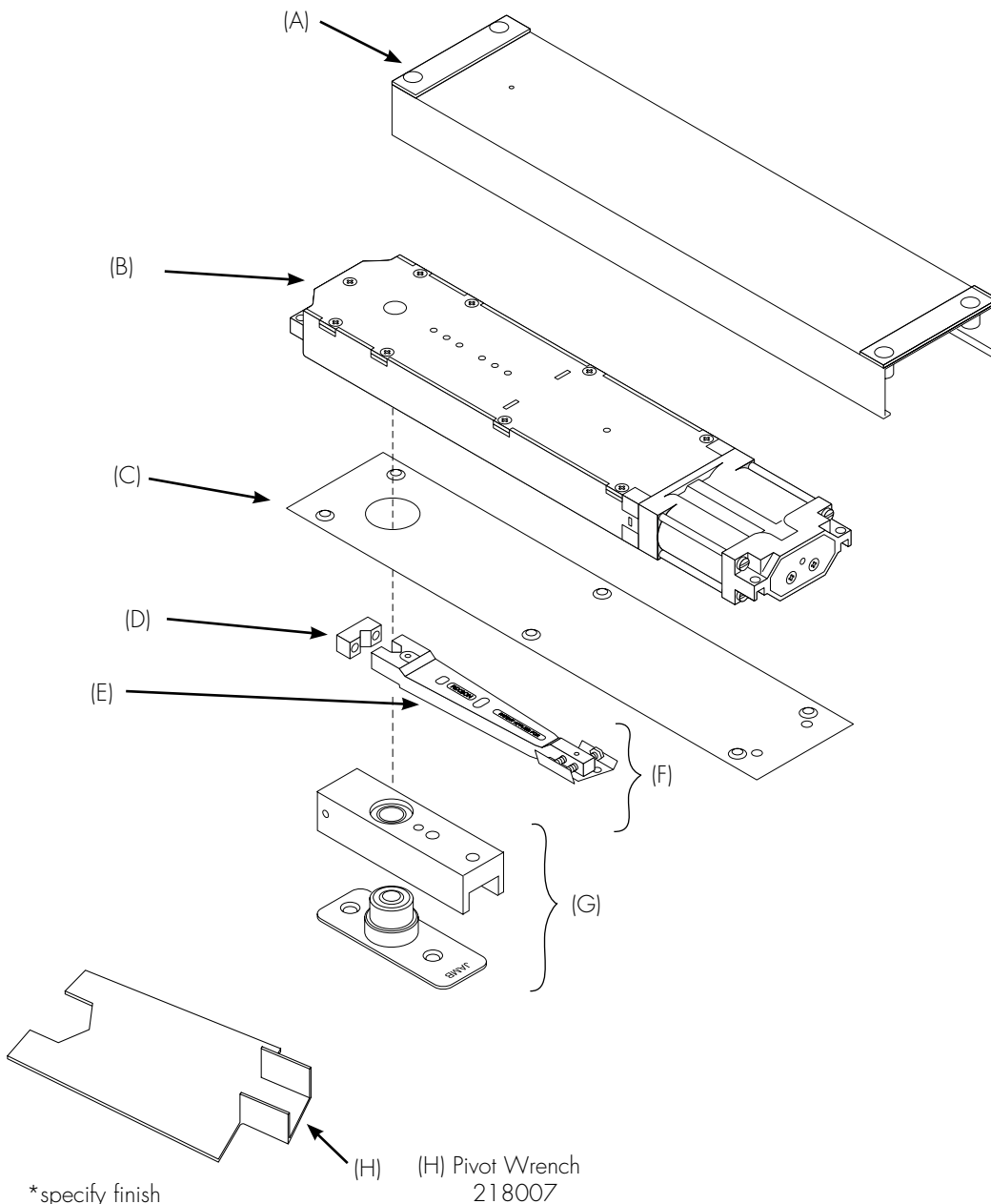
OVERHEAD CONCEALED CLOSERS

PARTS LIST

M700/M800

(D) Arm Block 808075-1
(E) Arm Assembly 808175

(A) Closer Mounting Channel 1929000
(B) Closer Body (Specify Complete Model No. x LAP)
(C) Cover Plate 700 Series 7004000R* (RH) 7004000L* (LH) 800 Series 8004000-*
(F) Arm Package 8002020
(G) Bottom Pivot Package 2183020 Includes H

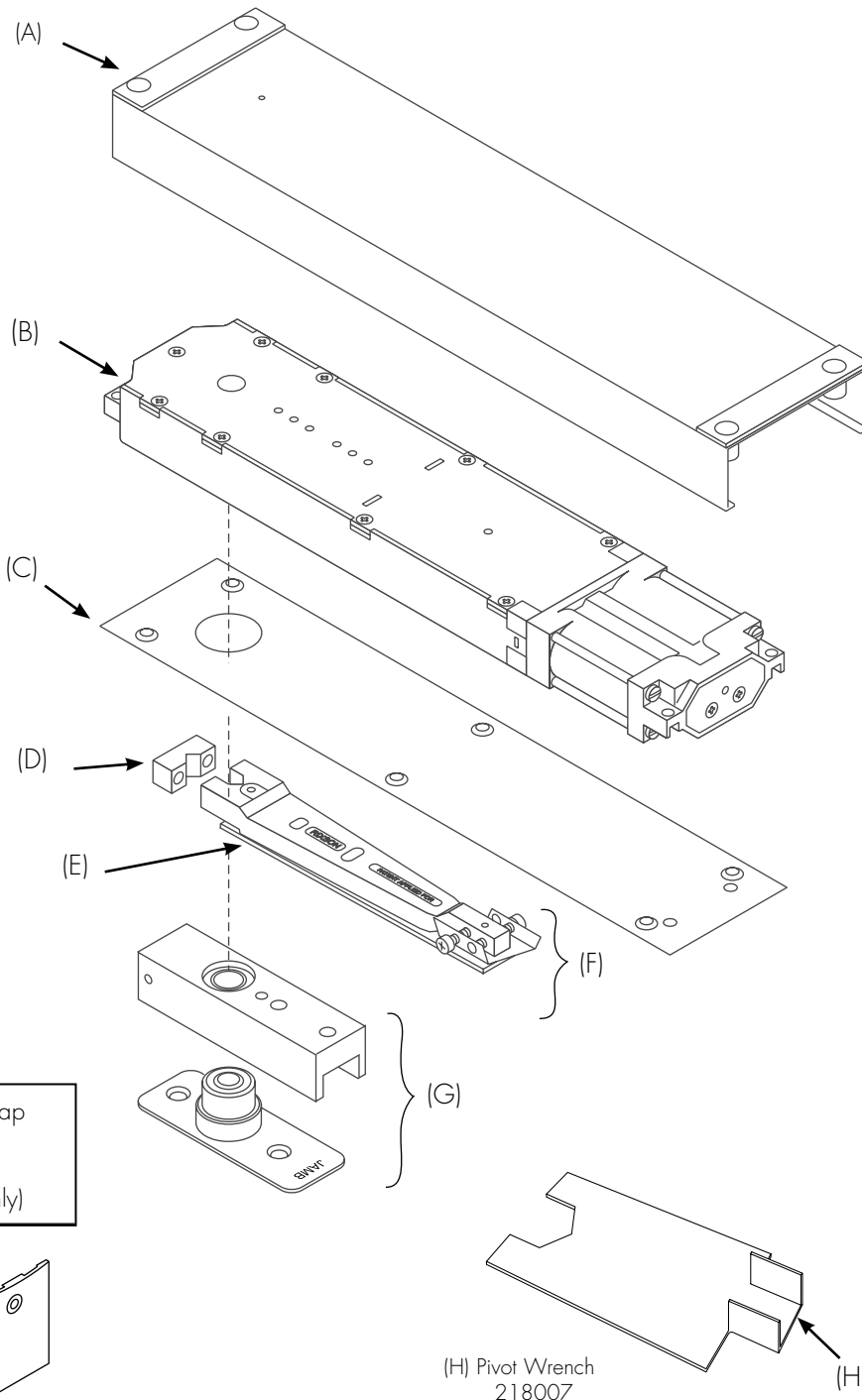


Screw Kits
Bottom Pivot Screw Kit 107218
Arm Screw Kit 107055 Includes arm end block
Arm Block Screw 806018-PKG
Cover Plate Screw Kit 107006-*

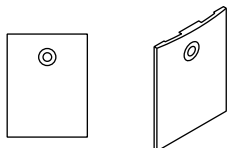
MW700/MW800

(D) Arm Block 808075-1
(E) Arm Assembly 808174

(A) Closer Mounting Channel 1929000
(B) Closer Body (Specify Complete Model No. x LAP)
(C) Cover Plate 700 Series 7004000R* (RH) 7004000L* (LH) 800 Series 8004000.*
(F) Arm Package 8002021
(G) Bottom Pivot Package Includes H 2183020



Decorative Arm Cap
(contains 2 caps)
1990906-*
(612 and 627 only)



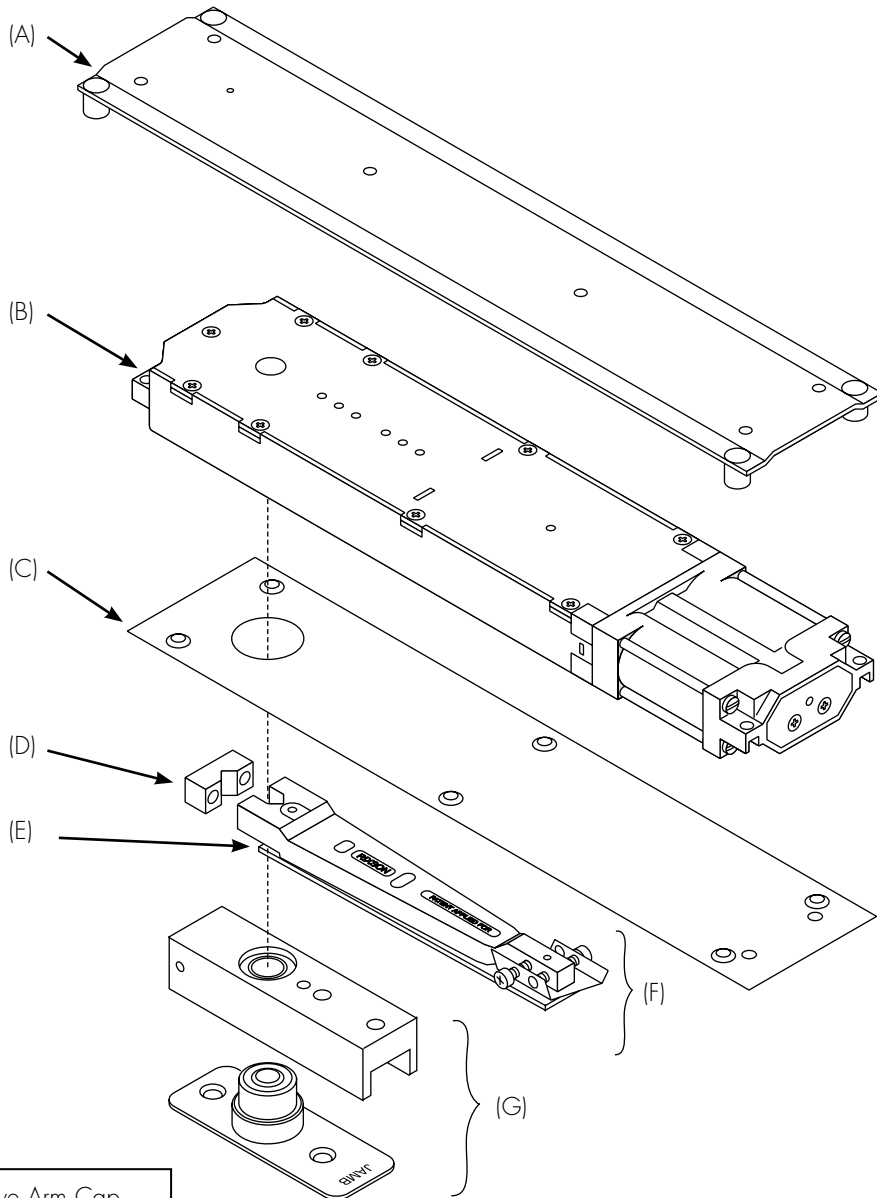
Screw Kits
Bottom Pivot Screw Kit 107218
Arm Screw Kit 107055 Includes arm end block
Arm Block Screw 806018-PKG
Cover Plate Screw Kit 107006-*

*specify finish

OVERHEAD CONCEALED CLOSERS

PARTS LIST

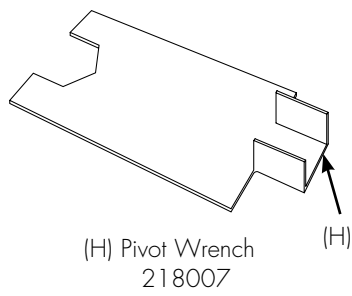
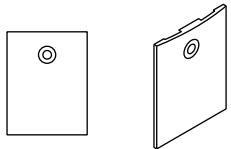
W700/W800



(A) Closer Mounting Channel 1980910
(B) Closer Body (Specify Complete Model No. x LAP)
(C) Cover Plate 7004000R* (RH) 7004000L* (LH)
(D) Arm Block 808075-1
(E) Arm Assembly 808174
(F) Arm Package 8002021
(G) Bottom Pivot Package Includes H 2183020

Screw Kits
Bottom Pivot Screw Kit 107218
Arm Screw Kit 107055 Includes arm end block
Arm Block Screw 806018-PKG
Cover Plate Screw Kit 107006-*

Decorative Arm Cap (contains 2 caps) 1990906-* (612 and 627 only)



*specify finish

MODEL 0608

Application

- Exterior or interior doors
- Door weight up to 200 lbs.
- Maximum door size 3'8" x 8'0"

Features

- Single acting
- Non-handed
- Available non-hold open (N) (door swings to 130°)
- Available automatic hold open - specify 90° or 105° (A)
- Arms only available in sprayed finishes
- Adjustable closing and latch speeds
- Removable frame stop is required
- Product should always be used with auxiliary floor or wall stop
- Cannot be used with a top pivot
- Hanging means by others. If products other than 3/4" offset pivots or 4-1/2" x 4-1/2" butt hinges are used, contact factory for special templating and pricing
- 2 year limited warranty



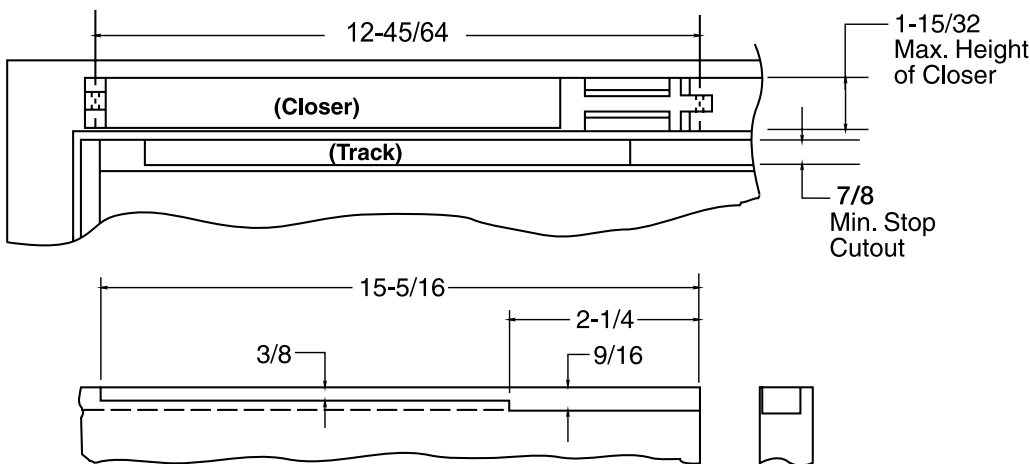
Optional Features

- Extended spindle; 1/2" longer than standard closer spindle. Must be ordered as part of the closer; cannot be added later

Models

- M0608 should be used on metal doors and frames. Package includes closer body, arm, frame mounting box 608049PKG*, and cover plate. Frame size 2" x 5-1/2" minimum.
- MW0608 closer should be used on wood doors and metal frames. Package includes closer body, arm, frame mounting box 608049PKG* and cover plate. Frame size 2" x 5-1/2" minimum.
- W0608 closer should be used on wood doors and frames. Package includes closer body, arm, frame mounting box 608049PKG and cover plate. Frame size 2" x 5-1/2" minimum.
- AW0608 closer should be used on wood doors and aluminum frames. Package includes closer body, arm, frame mounting clips and cover plate. Frame size 1-3/4" x 4".

Technical Information

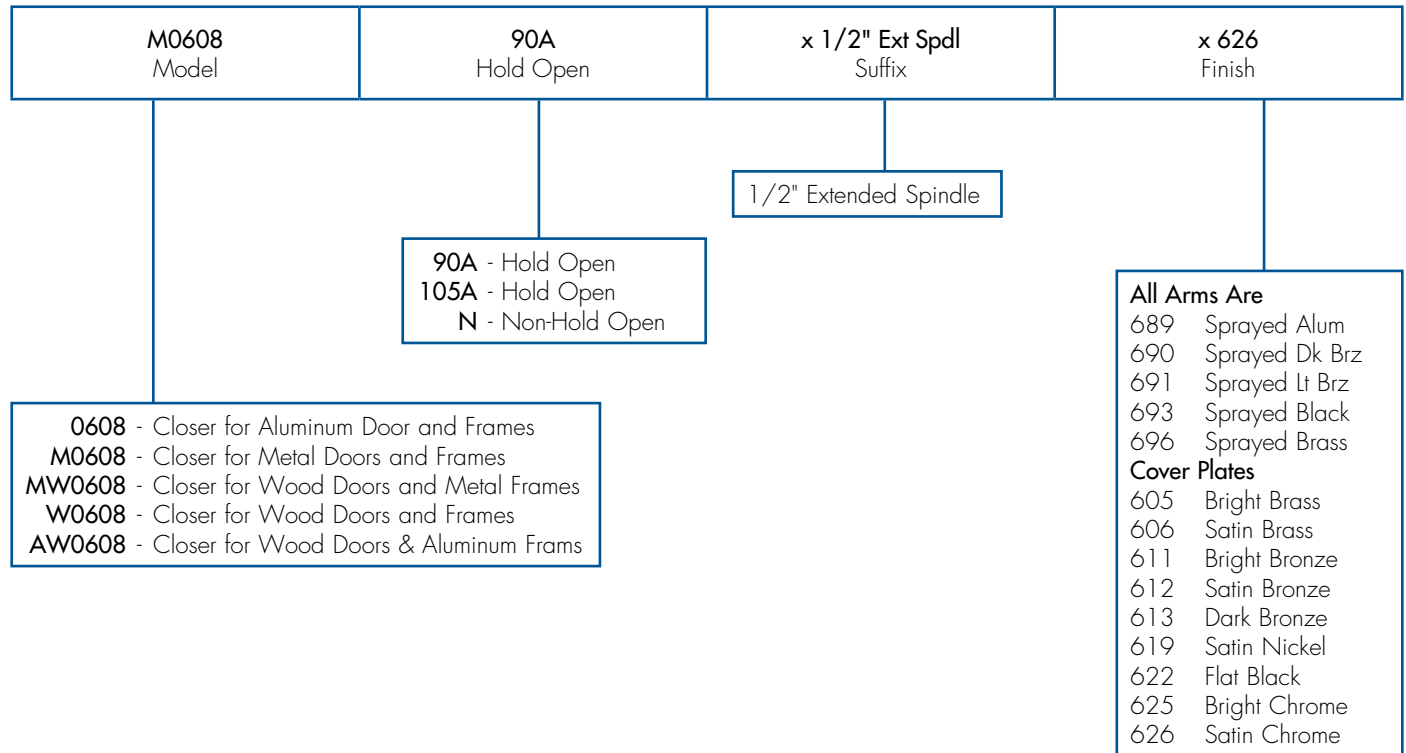


*Note that mounting channels must be welded into frames prior to shipment to job site.

OVERHEAD CONCEALED CLOSERS COMMODITY GRADE/OFFSET HUNG

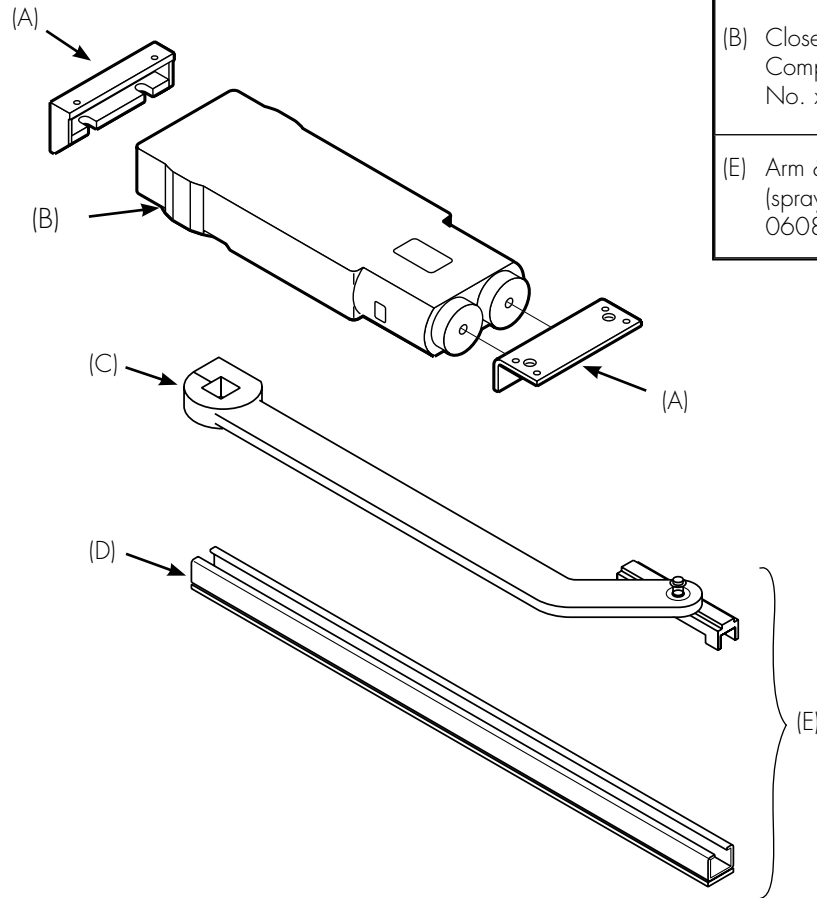
MODEL 0608

How to Order



0608/AW0608

(C) Arm Assembly (sprayed finishes only) 0608312-*
(D) Rail 0608109



(A) Closer Mounting Kit 608019
(B) Closer Body (Specify Complete Model No. x LAP)
(E) Arm & Rail Package (sprayed finishes only) 06082012-*

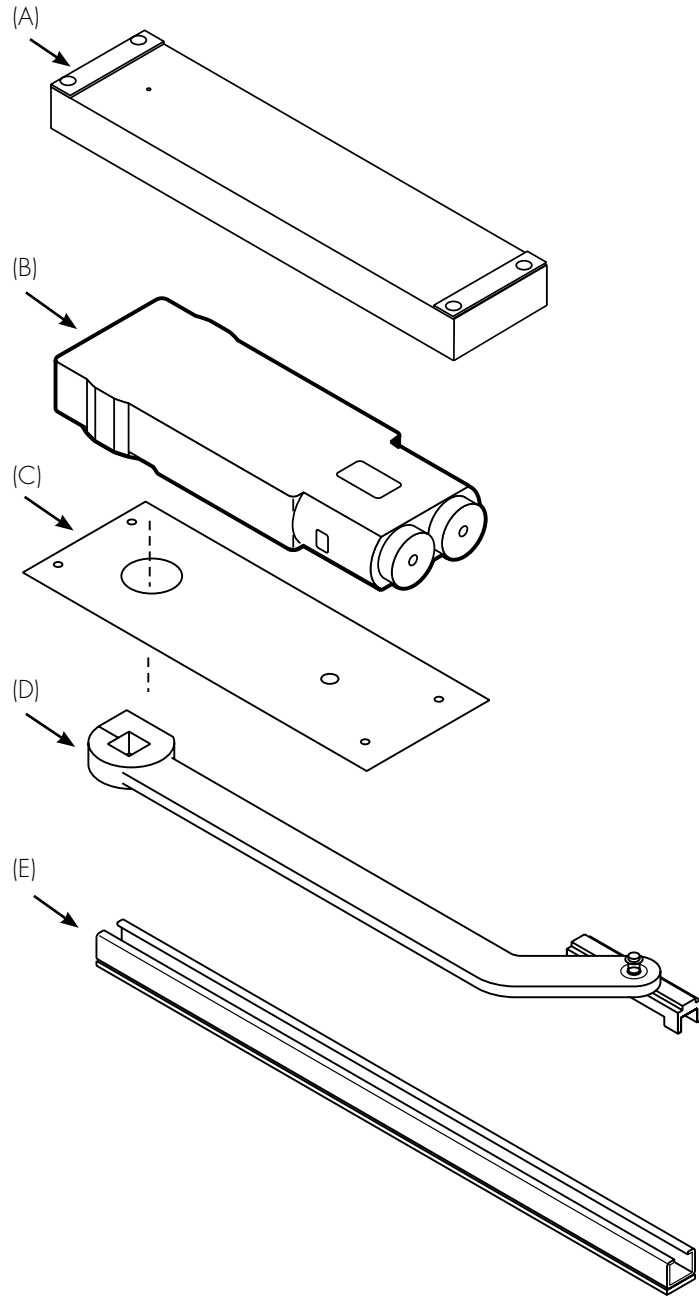
Screw Kit
Screw Kit 608064

OVERHEAD CONCEALED CLOSERS

PARTS LIST

M0608/MW0608/W0608

(D) Arm Assembly (sprayed finishes only) 0608312-*
(E) Rail 0608109



(A) Closer Mounting Kit 608049PKG
(B) Closer Body (Specify Complete Model No. x LAP)
(C) Cover Plate 6084000-*
(F) Arm & Rail Package (sprayed finishes only) 06082012-*

*specify finish

*specify finish

Screw Kits
Cover Plate Screw Kit 107022-*
Screw Kit 608064

MODEL 608

Application

- Exterior or interior doors
- Door weight up to 200 lbs.
- Maximum door size: interior 3'8" x 8'0"; exterior 3'6" x 8'0"

Features

- Single or double acting
- Non-handed
- Available in non-hold open (N) (door swings to 130° each direction)
- Available in automatic hold open (both directions). Specify 90° or 105° (A)
- Adjustable closing and latch speeds
- Includes 608011 bottom pivot
- Frame stop is required. See Door Control Accessories, page 8 #60131. Order separately.
- Product should always be used with auxiliary floor or wall stop
- 2 year limited warranty

Optional Features

- Extended spindle; 1/2" longer than standard closer spindle. Must be ordered as part of the closer; cannot be added later
- 199 end caps for top and bottom of wood door

Compliance

- ANSI CO5052/CO5062
- Compliant to ANSI A156.4 standards

Models

- 608EL closers should be used on aluminum doors and frames. Package includes closer body, arm, frame mounting clips, and bottom pivot 608011. This can be used in an aluminum frame that is 1-3/4" x 4".
- 608SL closers should be used on aluminum door and frames with an arm that attaches to the spindle thru the face of the door. Package includes body arm, frame, mounting clips and bottom pivot 608011. This can be used on a frame that is 1-3/4" x 4".
- M608 closers should be used on metal doors and frames. Package includes closer body, arm, frame mounting box 608049PKG*, cover plate and bottom pivot 608011. Frame size 2" x 5-1/2" minimum.
- MW608 closer should be used on wood doors and metal frames. Package includes closer body, arm, frame mounting box 608049PKG*, cover plate and bottom pivot 608011. Frame size 2" x 5-1/2" minimum.
- W608 closer should be used on wood doors and frames. Package includes closer body, arm, frame, mounting box 608049PKG, cover plate and bottom pivot 608011. Frame size 2" x 5-1/2" minimum.
- AW608 closer should be used on wood doors and aluminum frames. Package includes closer body, arm, frame mounting clips, and bottom pivot 608011. Frame size 1-3/4" x 4".

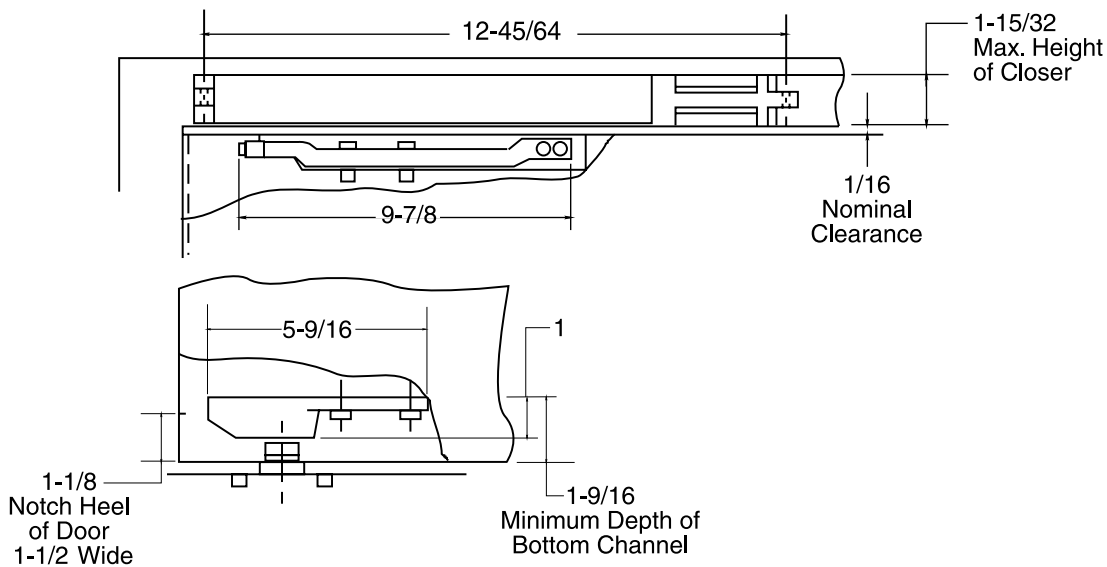


*Note that mounting channels must be welded into frames prior to shipment to job site.

OVERHEAD CONCEALED CLOSERS COMMODITY GRADE/CENTER HUNG

MODEL 608

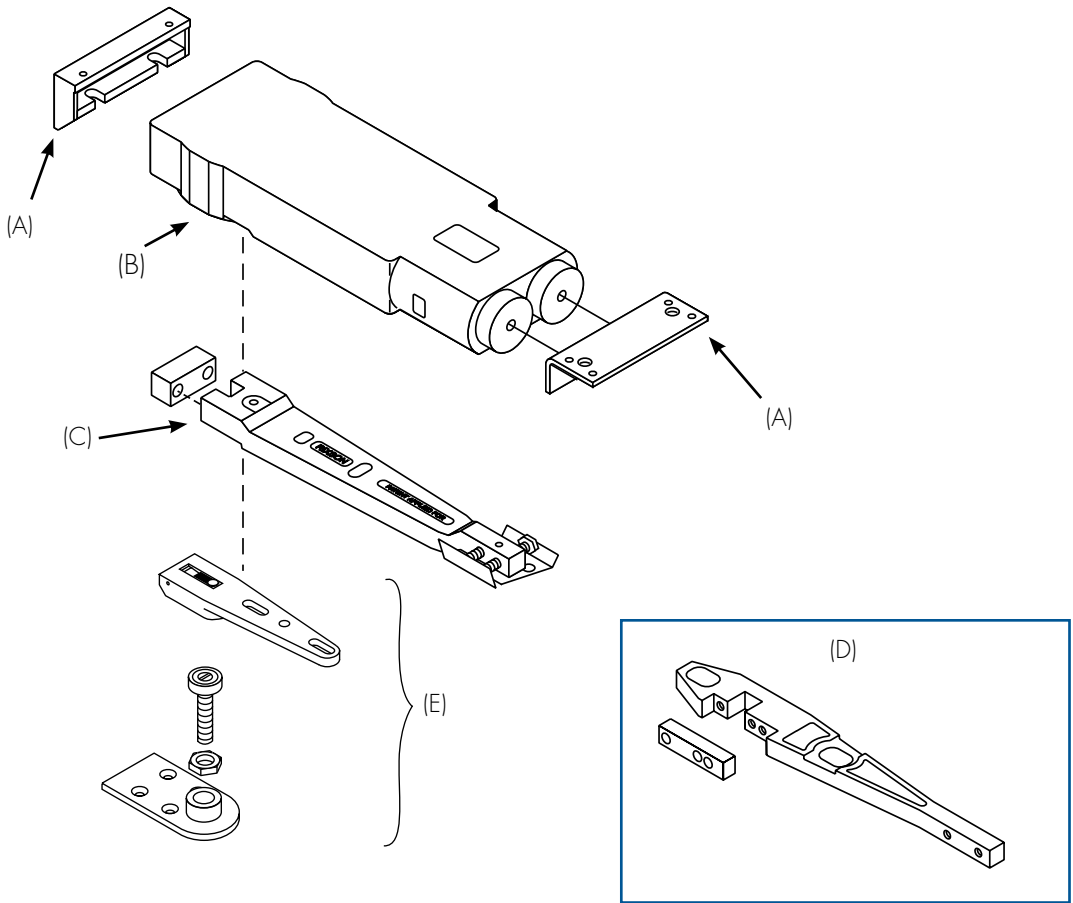
Technical Information



How to Order

M 608 Model	90A Hold Open	x 1/2" Ext Spdl Suffix	x 626 Finish
608EL - End Load Arm Closer for Aluminum Doors and Frames 608SL - Side Load Arm Closer for Aluminum Doors and Frames M608 - Closer for Metal Doors and Frames MW608 - Closer for Wood Doors and Metal Frames W608 - Closer for Wood Doors and Frames AW608 - Closer for Wood Doors & Aluminum Frams	90A - Hold Open 105A - Hold Open N - Non-Hold Open	1/2" Extended Spindle	All Arms Are 689 Sprayed Alum 690 Sprayed Dk Brz 691 Sprayed Lt Brz 693 Sprayed Black 696 Sprayed Brass Cover Plates 605 Bright Brass 606 Satin Brass 611 Bright Bronze 612 Satin Bronze 613 Dark Bronze 619 Satin Nickel 622 Flat Black 625 Bright Chrome 626 Satin Chrome

608EL/608SL



(A) Closer Mounting Kit 608019
(B) Closer Body (Specify Complete Model No. x LAP)
(C) End Load Arm Pkg 6002020
(D) Side Load Arm 608005S
(E) Bottom Pivot with Screws 608011A

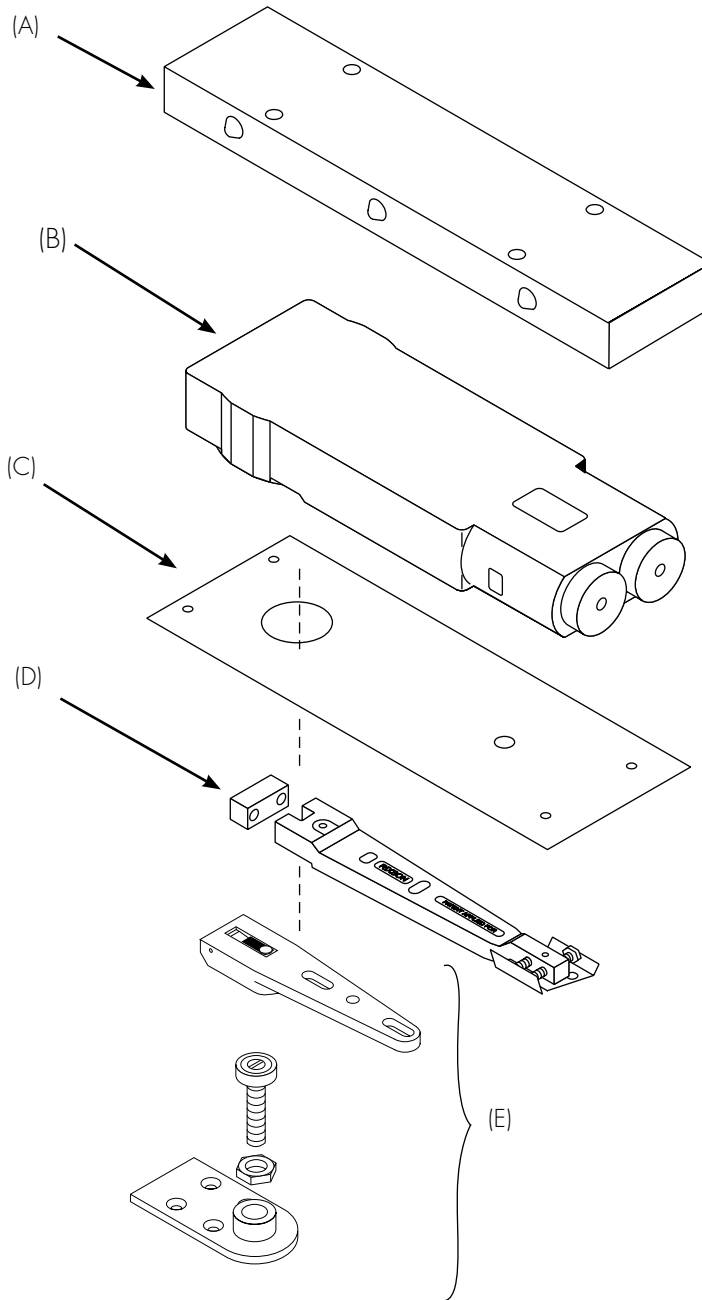
Screw Kit
Arm Screw Kit (Includes arm end block) 107065
Bottom Pivot Screw Kit 107143

*specify finish

OVERHEAD CONCEALED CLOSERS

PARTS LIST

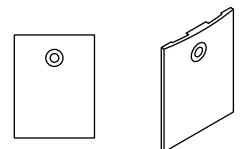
M608



(A) Closer Mounting Kit 608049PKG
(B) Closer Body (Specify Complete Model No. x LAP)
(C) Cover Plate 6084000 - *
(D) Arm Package 6002020
(E) Bottom Pivot 608011A

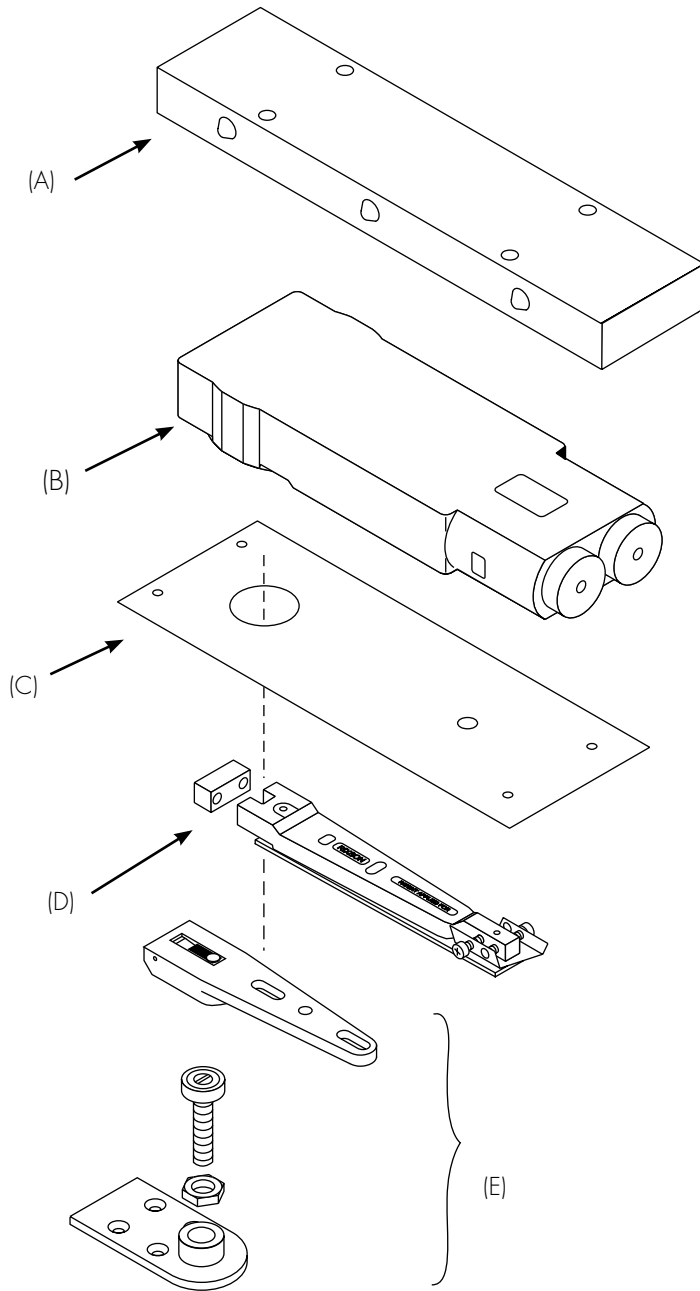
Screw Kits
Arm Screw Kit 107065 Includes arm end block
Cover Plate Screw Kit 107022-*
Bottom Pivot Screw Kit 107143

Decorative Arm Cap (contains 2 caps) 1990906- (612 and 627 only)



*specify finish

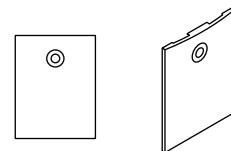
MW608/W608



(A) Closer Mounting Kit 608049PKG
(B) Closer Body (Specify Complete Model No. x LAP)
(C) Cover Plate 6084000 - *
(D) Arm Package 6002021
(E) Bottom Pivot 608011A

Screw Kits
Bottom Pivot Screw Kit 107143
Arm Screw Kit 107065 Includes arm end block
Cover Plate Screw Kit 107022-*

Decorative Arm Cap (contains 2 caps) 1990906- (612 and 627 only)

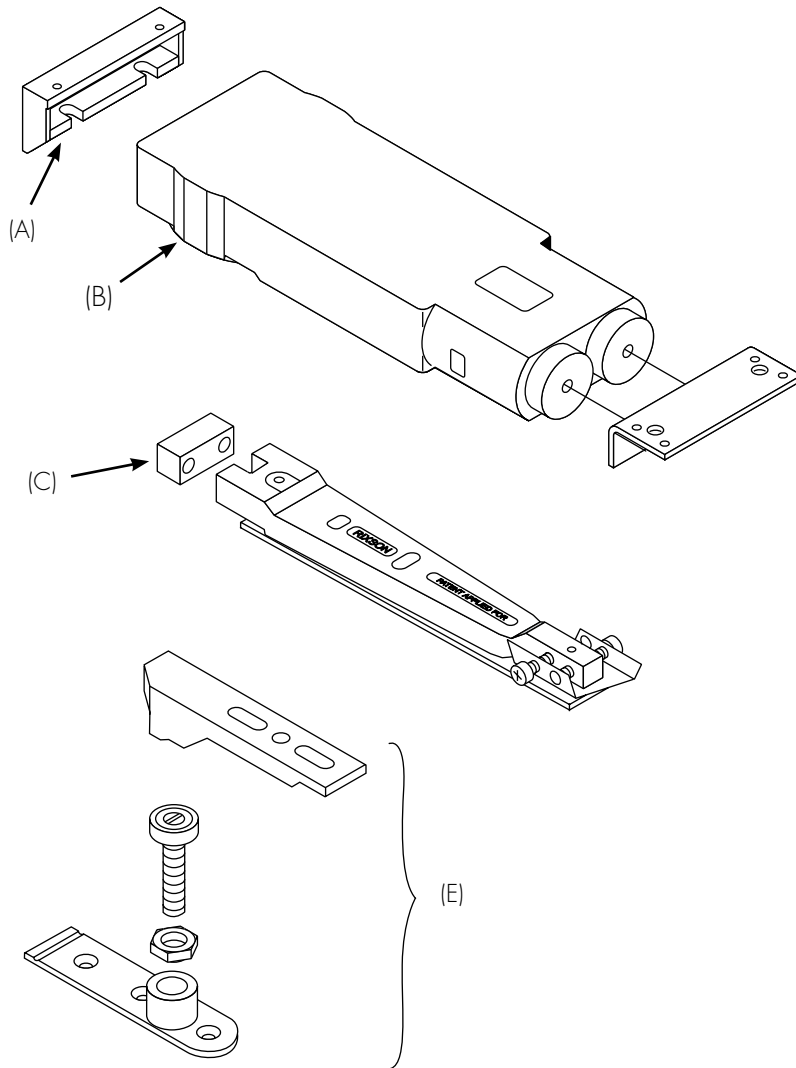


*specify finish

OVERHEAD CONCEALED CLOSERS

PARTS LIST

AW608



(A) Closer Mounting Kit 608019
(B) Closer Body (Specify Complete Model No. x LAP)
(C) End Load Arm Pkg 6002021
(E) Bottom Pivot with Screws 608011A

Screw Kits
Arm Screw Kit (Includes arm end block) 107065
Bottom Pivot Screw Kit 107143

CONTACT US AT:

Rixson®
3000 Highway 74 East
Monroe, NC 28112
Tel: 800-457-5670
Fax: 800-221-0489

ASSA ABLOY Door Security Solutions Canada
160 Four Valley Drive
Vaughan, Ontario, L4K 4T9 Canada
Tel: 800-461-3007
Fax: 800-461-8989

For a complete listing of products and
applications please visit our web site.
www.rixson.com
www.assaabloy.ca

Rixson® and Rixson and Design® are registered trademarks of Yale Security Inc., an ASSA ABLOY Group company. Other products' brand names may be trademarks or registered trademarks of their respective owners and are mentioned for reference purposes only. Rixson is a brand associated with Yale Security Inc., an ASSA ABLOY Group company. Copyright © 2001-2016, Yale Security Inc. All rights reserved. Reproduction in whole or in part without the express written permission of Yale Security Inc. is prohibited.