

210 SERIES

Door Closer



Norton[®]
ASSA ABLOY

ASSA ABLOY, the global leader
in door opening solutions

INTRODUCTION

The 210 Series door closer, is ideal for stocking distributors serving high volume after-market and storefront segments. The 210 features an adjustable spring, tri-packed, non-hold open arms and independent and separate latch, sweep and backcheck intensity valves. Featuring easy installation and maintenance and dependable control, the 210 is perfect for office doors, utility doors and strip mall applications.



FEATURES

- Adjustable spring size 1 through 6
- Non-handed
- Cast aluminum body
- Rack-and-pinion design
- Independent latch sweep and backcheck intensity valves
- Full plastic cover
- Non-hold open, hold open and heavy-duty arms
- Closer footprint: 3/4" x 12"
- Cover dimensions: 2-15/16" high x 2-1/8" deep x 13-1/16" long
- Available in 689 (aluminum) or 690 (dark bronze) finishes
- Sex nuts (SN-134) included
- 10 year limited warranty

COMPLIANCE STANDARDS

- ANSI/BHMA A156.4, Grade 1
- UL / cUL listed for use on fire rated doors
- UL10C listed for positive pressure fire test
- Meets requirements for Americans with Disabilities Act (ADA) and ANSI/BHMA A117.1

HOW TO ORDER

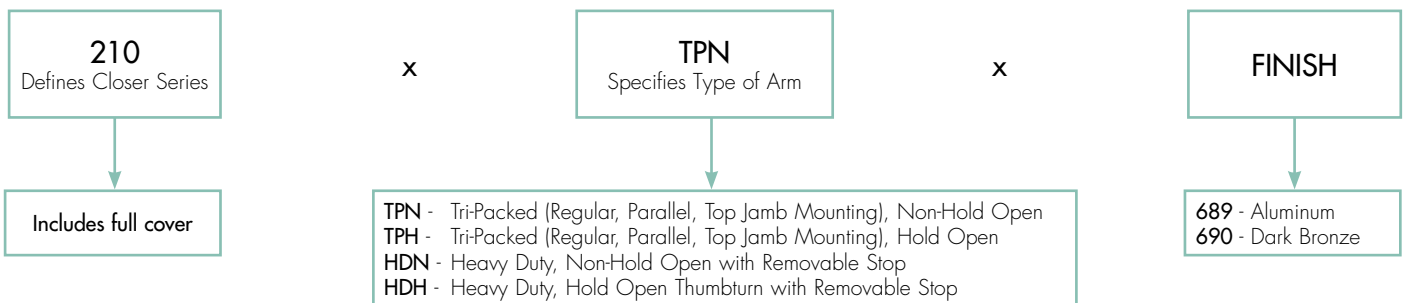
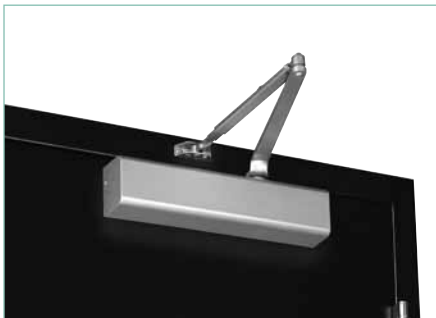


TABLE OF CONTENTS

Features, Compliance Standards, How To Order 2

Applications 3

APPLICATIONS



TPN arm shown (regular mounting)

- Pull-side application
- Closer mounted on the door



TPN arm shown (top jamb mounting)

- Push-side application
- Closer mounted on the frame
- Minimum top rail = 2-1/4" (57mm)
- Maximum frame reveal = 2-3/4" (70mm)

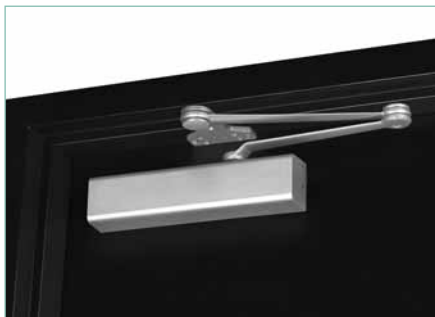


TPN arm shown (parallel mounting)

- Push-side application
- Closer mounted on the door



HDH arm (with stop) shown



HDN arm (without stop) shown

Heavy-Duty Arms

- Push-side application
- Stop is removable

NOTE: Arms are not interchangeable with Norton's premium line of closers

ACCESSORIES

Part Number	Description
210P	Full Plastic Cover
SP210	Screw Pack for TPN Arm

CONTACT US AT:

Norton Door Controls
3000 Highway 74 East
Monroe, NC 28112
Tel: 877-974-2255
Fax: 800-338-0965

ASSA ABLOY Door Security Solutions Canada
160 Four Valley Drive
Vaughan, Ontario, L4K 4T9 Canada
Tel: 800-461-3007
Fax: 905-738-2478

For a complete listing of products and
applications please visit our web site.
www.nortondoorcontrols.com
www.assaabloy.ca

Norton® is a registered trademark of Yale Security Inc., an ASSA ABLOY Group company. Other products' brand names may be trademarks or registered trademarks of their respective owners and are mentioned for reference purposes only. These materials are protected under U.S. copyright laws. All contents current at time of publication. Copyright © 2012-2015, Yale Security Inc., an ASSA ABLOY Group company. All rights reserved. Reproduction in whole or in part without the express written permission of Yale Security Inc. is prohibited.