

**Key Features:**

- Use with cylindrical locksets, mortise locks without dead bolts and mortise exit devices.
- 1 - 3/8" shallow backset allows the 4100 to be used in 2" fire rated frames with 1/2" sheetrock ingress.
- **Flexible:** Always be prepared!
  - 4 faceplates included
  - 12 & 24DC, 12-24 AC
  - 2 Trim Skirts Provided (32D Finish)
  - Regular and Torx® Screws
- **Strong:** Exceeds 3,250 lbs. of Holding Force
- **Durable:** Exceeds 1,000,000 Life Cycles
- Works with the Schlage® L Series & Yale® 8700 Series without relocating mounting tabs.

**Standards:**

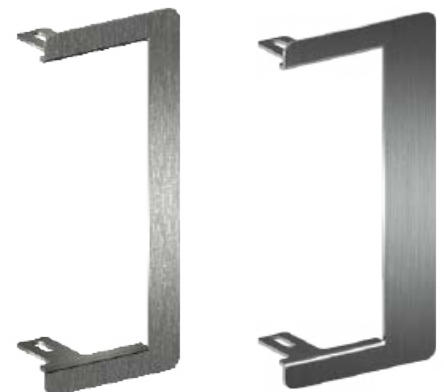
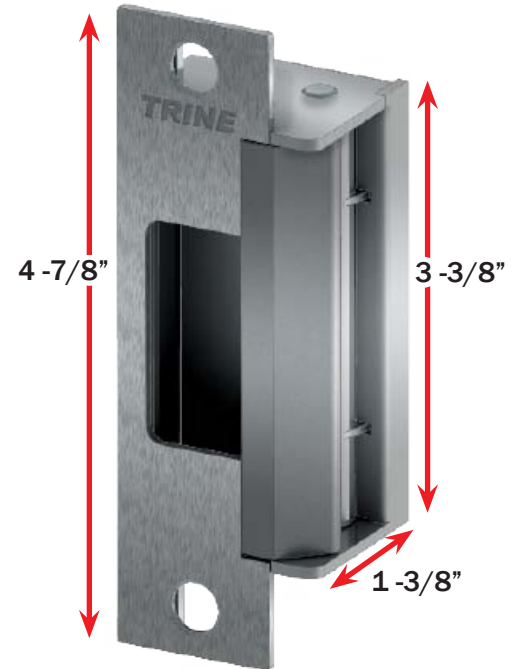
- WH recognized 3-hour fire rated – UL10C, Fire Tests of Door Assemblies.
- BHMA Grade 1: ANSI/BHMA A156.5
- UBC 7-2, Uniform building Code.
- CAN4 S104, Standard Method for Fire Tests of Door Assemblies.
- NFPA 252 - Issue: 1999/01/01 Standard Methods of Fire Tests of Door Assemblies.

*NOTE: WH fire listing is void when using fail safe action.*

**All Four Faceplates and  
Premium Trim Skirts included**

**The 4100**

4100 Series



# THE ONE BOX SOLUTION FOR CYLINDRICAL AND MORTISE LOCKS



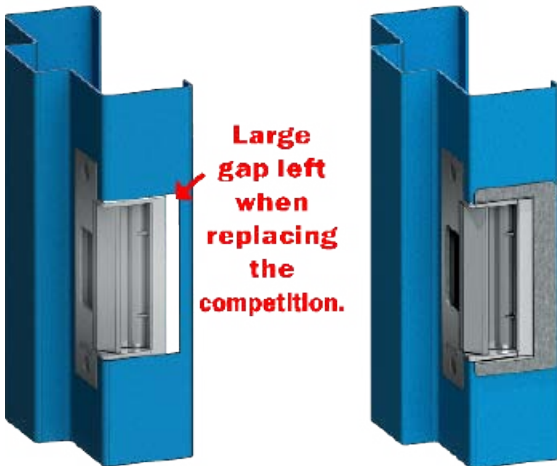
4100 Series



## Aesthetics Matter

The Premium Trim Skirt cleans up the cut line.

Not worrying about a perfect cut on the face saves time and looks great. Since aesthetics matter, the Premium Trim Skirt ALWAYS matches the finish on the faceplates and electric strike body.



Large gap left when replacing the competition.

The CCTS fills in the gap.

## Cutting Matters

1 - 3/8" Low Profile Backset provides ease of installation. Why cut for a deadbolt 100% of the time when they are only used 5% of the time.



## Electric Characteristics

Voltage	Current/Amps	Ohms	Duty	Sound
12DC	0.240	50	Intm./Cont.	Silent
24DC	0.114	210	Intm./Cont.	Silent
12AC @ 60hz	0.210	50	Intm.	Buzz
16AC @ 60hz	0.280	50	Intm.	Buzz
24AC @ 60hz	0.420	50	Intm.	Buzz

## Power Matters

Low Current Draw  
.240 Amp at 12DC makes it very PoE Friendly

12 & 24DC :: 12 through 24AC  
All the low voltage flexibility you need.



## In The Box:

- The four faceplates
- 2 Premium stainless steel trim skirts
- Standard and Torx® screws
- Latch shims
- Plug-in style wire connectors
- Sealed crimp connectors



**4100-32D** (Satin Stainless Steel – BHMA630)

### The following finishes are:

- **4100-32** (Polished Stainless Steel – BHMA629)
- **4100-US3** (Bright Brass – BHMA605)

### The following finishes are:

- **4100-US4** (Satin Brass – BHMA606)
- **4100-US10** (Satin Bronze – BHMA612)
- **4100-US10B** (Dark Bronze – BHMA613)

For Fail-safe action (locks with power) add "RS" to the item number. EX: 4100RS-32D

Faceplates, strike body, mounting screws, and trim skirts all match the finish.

[www.trineonline.com](http://www.trineonline.com)