

SEH Series



The SEH SENTRONIC® is a holder designed to provide single point hold open for fire and smoke barrier doors that must be used with an opposite side mounted UL listed door closer. The door is held open until current interruption releases the holding mechanism and the door closes. Single lever (track) arm is specifically designed for interior doors.

Features

Certifications	Grade 1 - ANSI A156.15, UL 10C, 100 Hour Salt Spray, Meets BAA - Buy American Act, NFPA 101	Finishes/ colors/ powder coat	<ul style="list-style-type: none"> ■ 689 Aluminum paint ■ 690 Statuary Bronze paint ■ 691 Light Bronze paint ■ 693 Black paint ■ 695 Dark Bronze paint ■ 696 Brass paint ■ Custom colors optional
Handing	Non-handed	Wiring	<ul style="list-style-type: none"> ■ Optional SRI primer - powder coat only ■ Optional plated finishes
Templating	22 3/4" x 1 1/4"		
Warranty	2 years		
Fasteners	Wood and Machine Screws (WMS)		
Mounting	Hinge (pull side)		
Arms	<ul style="list-style-type: none"> ■ Standard, non-handed arm for any 4040SE Series ■ Standard, non-handed track for SEH ■ Specify 24V or 120V AC/DC input for holding solenoid ■ Includes test switch assembly with fuse 		

Special templates | Customized installation templates or products may be available to solve non-standard applications. Contact LCN Product Support for assistance.

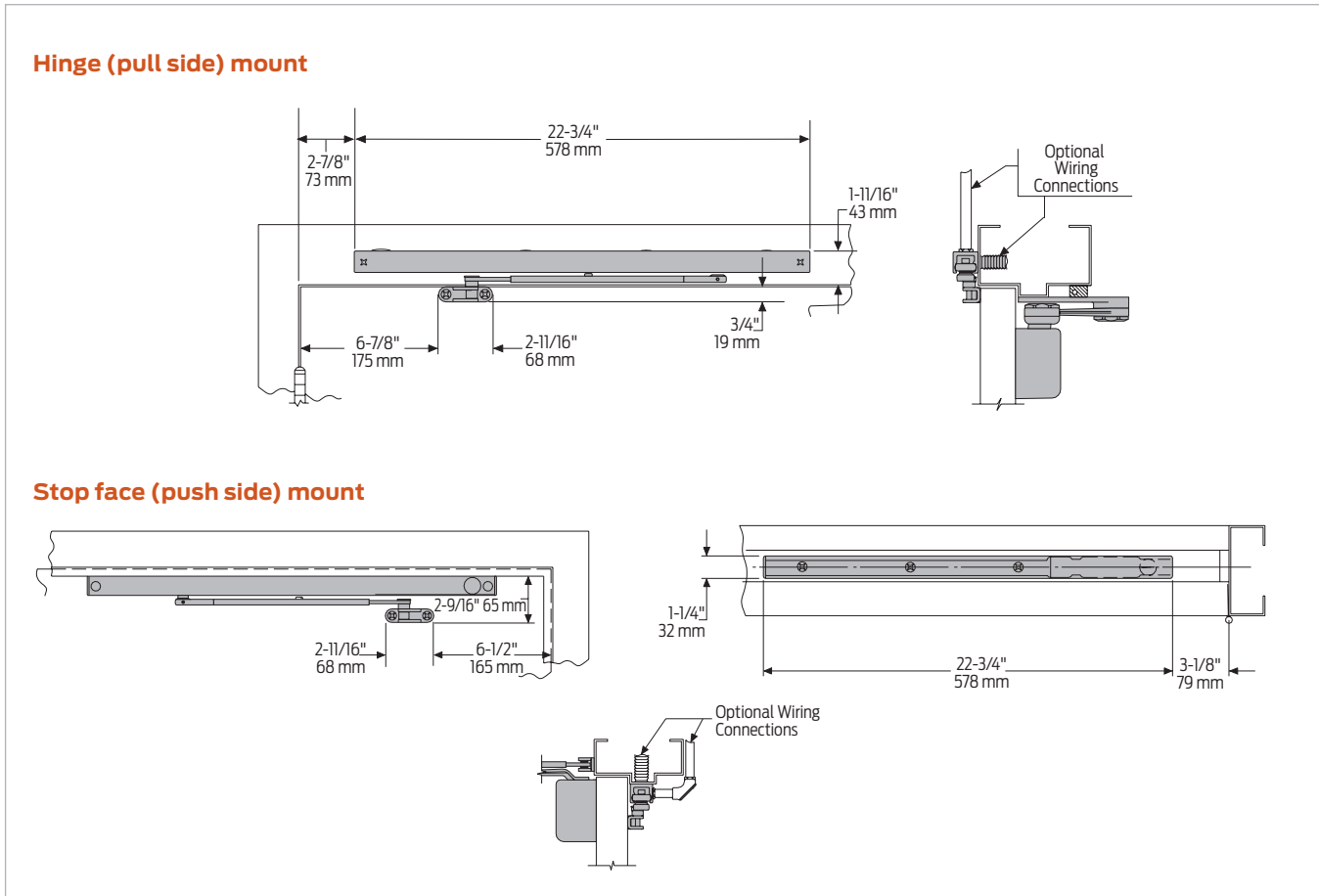
Mounting	Finish	Cover	Cylinder**	Arm function*
<ul style="list-style-type: none"> ■ Hinge (pull) side ■ Top jamb (push) ■ Stop face (push) ■ Concealed (frame) ■ Concealed (door) ■ Powder coat ■ Plated 	<ul style="list-style-type: none"> ■ Plastic ■ Metal 	<ul style="list-style-type: none"> ■ Handed ■ Non-Sized ■ Sized ■ Single Point Hold Open ■ Multi-point Hold Open ■ Pass 80/140 	<ul style="list-style-type: none"> ■ 100° 	<ul style="list-style-type: none"> ■ Standard (single) ■ Regular (double) ■ Swing Free ■ Double Egress

■ Available * Maximum opening/hold open point with standard template.
■ Not available ** Cylinder sold separately.

Introduction
 Product selection guide
 SEM Series
 3130SE Series
 4040SE Series
 2310ME Series
 4310ME Series
 4410ME Series
 4310HSA Series
 4410HSA Series
 SEH Series

Mounting details

Hinge (pull side) and stop face (push side) mounting



Butt hinges	Should not exceed 5" (127 mm) in width
Swing clear hinges	Consult factory
Auxiliary stop	Recommended at hold open point
Reveal	Should not exceed 1/8" (3 mm) for Standard Arm
Head frame	Should not exceed 5" (127 mm) in width
Stop width	1 1/4" (32 mm) minimum
Flush ceiling	2" (51 mm) head frame does not require special templating
Door width	<ul style="list-style-type: none"> ■ 2'4" (711 mm) minimum for single door with SEH ■ 4'8" (1422 mm) minimum for paired doors with SEH
Maximum opening	<ul style="list-style-type: none"> ■ Templating allows 100° ■ Hold open points between 80° and 100° in approximately 3° increments
SEH electrical options	<ul style="list-style-type: none"> ■ These track assemblies require a single power circuit for the holding solenoid ■ SEH holding solenoid is either 24V or 120V input, please specify ■ An optional 4040SE-3210 transformer or 8310-824 reduces 120V AC line voltage to 24V AC ■ Circuitry accepts either AC or DC input
Options	24V or 120V volt input for SEH, please specify
Wiring diagram	See page 13 for typical wiring and electrical diagram

Notes:

- Information applies to SEH unless otherwise specified
- Standard SEH Series is a door holder that must be installed in conjunction with an opposite side mounted, UL listed door closer
- Hold open force is adjustable
- Momentary on/off switch board assembly for testing door release also provides over-voltage protection (field replaceable)
- All SEH type holders require a separate closer for fire or smoke barrier door applications

Accessories

Arm

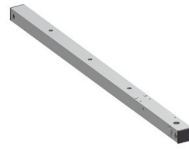


SEH-3077T

Standard Arm (STDTRKARM)

- Non-handed
- Can be combined with any 4040SE Series track to provide an electrically controlled hold open function on either side of the door
- All SEH type holders require a separate closer for fire or smoke barrier door applications

Track

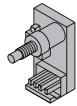


SEH-3038

Standard Track (STDTRK)

- Non-handed
- Mounts on either head frame or stop
- 24V or 120V AC/DC input for holding solenoid, please specify
- Includes test switch assembly with fuse
- Standard

Switch



SEH-3436

Test Switch

Installation accessories



SEH-81

Conduit Quick-Connector

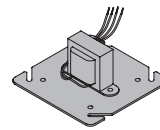
- Two piece connector for use with 1/2" conduit



SEH-3034SE

Track Roller and Track Slider

- Quiet, low friction roller assembly
- Shoulder dimension
- "X" = 1/4" (6 mm)
- Alloy metal slider for use in SE series tracks only



4040SEH-3210

Transformer

- Reduces line voltage from 120V to 24V AC
- Mounted on cover for 4" (102 mm) x 4" x 2 1/8" (54 mm) junction box (by others)