

4030T Series



The 4030T is a single lever (track) arm, surface mounted closer designed for interior use on narrow head frames and top rails. The choice of three mountings and ease of installation offer a versatile solution to door control in moderate traffic applications. The 4030T compliments the heavy duty 4000 Series.

Features

Certifications	Grade 1 - ANSI A156.4, UL 10C, ADA, 100 hour salt spray, meets BAA - Buy American Act	Cover	Metal Cover (MC), standard
Body construction	<ul style="list-style-type: none"> Cast iron body Full complement bearing 1 1/8" diameter piston 1/2" diameter single heat treated pinion journal 	Fasteners	Self reaming and tapping screws (SRT)
Fluid	All weather fluid	Mounting	Pull side on door, pull side on frame and push side on door
Handing	Non-handed	Arms	Standard arm and track
Size	Adjustable spring size 1-3	Finishes/colors/ powder coat	<ul style="list-style-type: none"> 622 Matte black 689 Aluminum 690 Statuary bronze 691 Light bronze 693 Black 695 Dark bronze 696 Brass Custom colors optional Optional SRI primer - powder coat only Optional plated finishes
Warranty	30 years		

Special templates

Customized installation templates or products may be available to solve non-standard applications. Contact LCN Product Support for assistance.

Mounting	Finish	Cover	Cylinder	Arm function*
Hinge (pull) side	Plastic	Non-handed	Regular (double)	180°
Top jamb (pull)	Metal	Non-sized	Standard (single)	180°
Top jamb (push)		Accessibility	Hold Open	
Parallel arm		Delay Action ***	Fusible Link	
Stop face		CYLAVB**	EDA/HEDA	
Powder coat			CUSH/HCLUSH	
Plated			SCUSH/SHCLUSH	
			Double Egress	

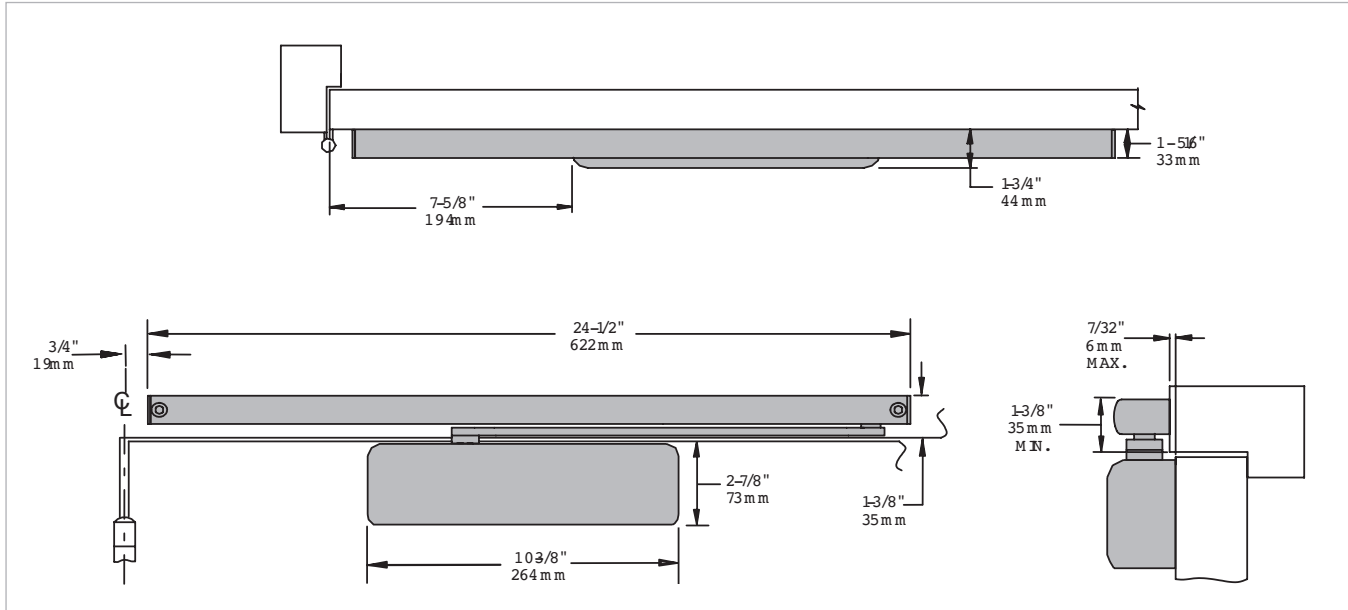
■ Available ■ Not available

* Maximum opening/hold open point with standard template.
 ** Advanced Variable Back Check.
 *** Delay action for 4040XP incorporates standard 4041 cylinder.

Introduction
 Product selection guide
 4010/4010T Series
 4020/4020T Series
 4030/4030T Series
 4040XP/4040XPT Series
 4050A/4050AT Series
 4110/4110T Series
 4000T Series

Mounting details

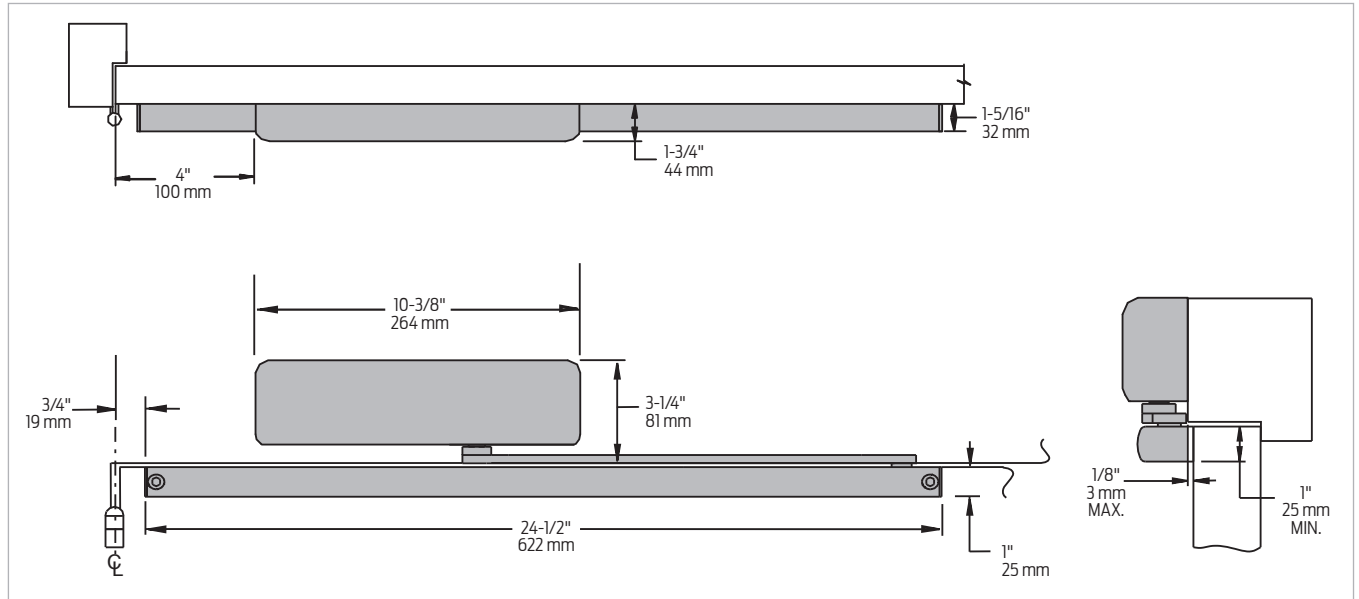
Hinge (pull) side mounting



Butt hinges	Should not exceed 5" (127 mm) in width
Auxiliary stop	Recommended at hold open point or where a door cannot swing 180°
Reveal	Should not exceed $\frac{7}{32}$ " (6 mm)
Top rail	Requires $2\frac{7}{8}$ " (73 mm) minimum
Clearance	$1\frac{3}{4}$ " (44 mm), behind door required for installation
Maximum opening	<ul style="list-style-type: none"> Can be templated for 180° Consult factory if door will be held open at 180° Hold open points up to maximum opening point with hold open option

Mounting details

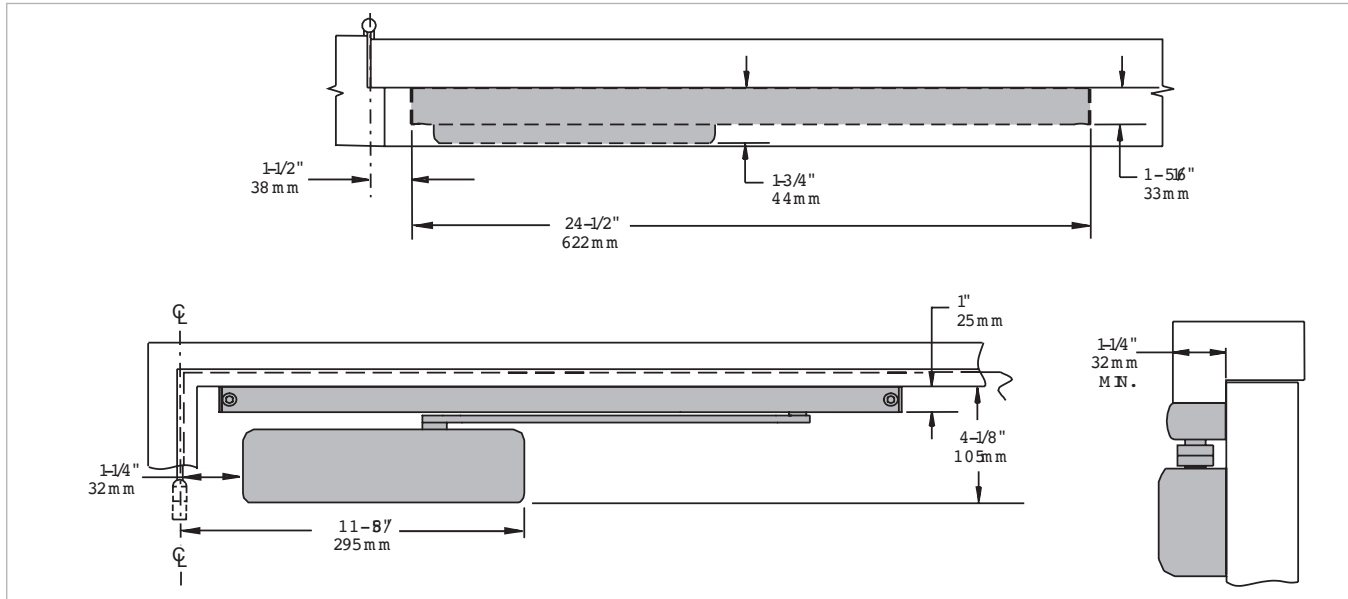
Top jamb (pull) side mounting



Butt hinges	Should not exceed 5" (127 mm) in width
Auxiliary stop	Recommended at hold open point or where the door cannot swing 180°
Reveal	Should not exceed 1/8" (3 mm)
Top rail	Requires 1" (25 mm) minimum
Head frame	Requires 2 7/8" (73 mm) minimum
Maximum opening	<ul style="list-style-type: none"> Can be templated for 180° Consult factory if door will be held open at 180° Hold open points up to maximum opening point with hold open option

Mounting details

Stop face (push) side mounting



Butt hinges	Should not exceed 5" (127 mm) in width
Auxiliary stop	Recommended at hold open point or where a door cannot swing 110°
Reveal	Should not exceed 1 3/4" (44 mm)
Top rail	Requires 4 1/8" (105 mm) minimum measured from the stop
Head frame	Minimum 1 1/4" (32 mm)
Maximum opening	<ul style="list-style-type: none"> Can be templated for 110° Hold open points up to maximum opening with hold open option

Note: Consult factory for applications where door must swing 180°.

Accessories

Cylinders



- 4031T-3071**
Cast iron cylinder assembly (CYL)
- Non-handed
 - Standard

Covers



- 4030T-72MC**
Metal Cover (MC)
- Non-handed

Arms



- 4030T-3077T**
Standard Arm (STDTRKARM)
- Non-handed
 - Single lever mounts hinge side, top jamb or stop face
 - Track roller included

Tracks

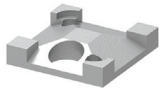


- 4030T-3038**
Standard Track (STDTRK)
- Non-handed
 - Non hold open track mounts on either side of the door
 - Will accept hold open clip
 - Standard



- 4030T-3038H**
Hold Open Track (H)
- Non-handed
 - Hold open track mounts on either side of the door
 - Comes with 4030T-3054 hold open clip
 - Optional

Installation accessories



- 4030T-3054**
Hold-open clip
- Mounts in track to provide hold open function
 - Hold open point controlled by clip location
 - Requires 4030T-3034H

Introduction

Product selection guide

4010/4010T Series

4020/4020T Series

4030/4030T Series

4040XP/4040XPT Series

4050A/4050AT Series

4110/4110T Series

4000T Series