

4030 Series



The 4030 is a cast iron, universal closer designed specifically for doors in moderate traffic conditions. This versatile closer compliments the rest of the heavy duty 4000 Series and offers the choice of three mountings and multiple arm options.

Features

Certifications	Grade 1 - ANSI A156.4, UL 10C, ADA, 100 hour salt spray, meets BAA - Buy American Act
Body construction	<ul style="list-style-type: none"> Cast iron body Full complement bearing 1 7/8" diameter piston 1/2" diameter single heat treated pinion journal
Fluid	All weather fluid
Handing	Non-handed
Templating	Peel-n-Stick templates - 1 23/32" x 6 17/64" mounting hole pattern
Size	Adjustable spring size 1-4
Warranty	30 years

Cover	Metal Cover (MC), standard
Fasteners	Self reaming and tapping screws (SRT)
Mounting	Hinge (pull side), top jamb (push side), parallel arm (push side)
Arms	Regular arm
Finishes/colors/ powder coat	<ul style="list-style-type: none"> 622 Matte black 689 Aluminum 690 Statuary bronze 691 Light bronze 693 Black 695 Dark bronze 696 Brass Custom colors optional
	<ul style="list-style-type: none"> Optional SRI primer - powder coat only Optional plated finishes

Special templates | Customized installation templates or products may be available to solve non-standard applications. Contact LCN Product Support for assistance.

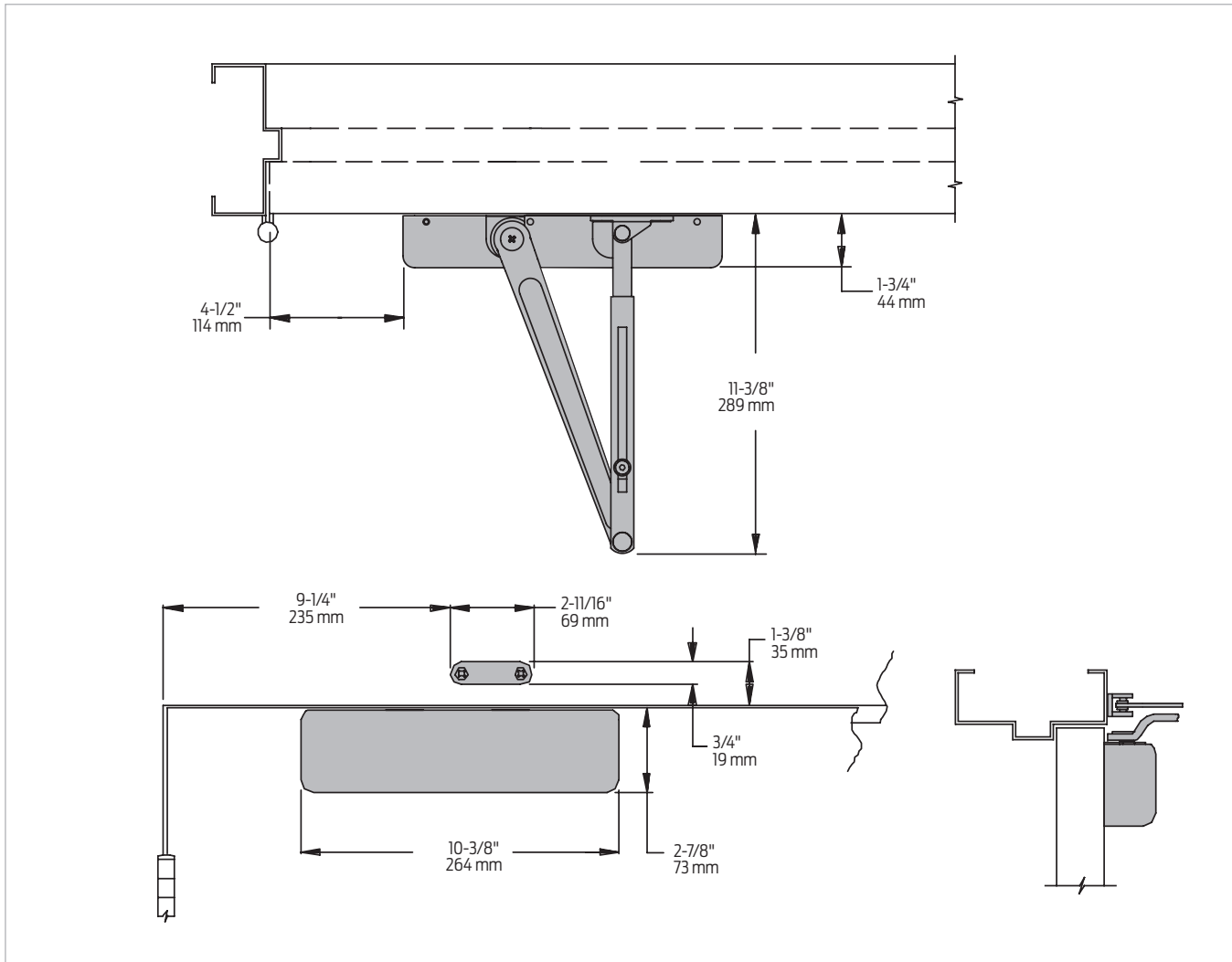
Mounting	Finish	Cover	Cylinder	Arm function*
Hinge (pull) side	Plastic	Non-handed	180°	Regular (double)
Top jamb (pull)	Metal	Non-sized	180°	Standard (single)
Top jamb (push)		Accessibility	110°	Hold Open
Parallel arm		Delay Action***	100°	Fusible Link
Stop face		CYLAVB**	100°	EDA/HEDA
Powder coat				CUSH/HCUSH
Plated				SCUSH/SHCUSH
				Double Egress

■ Available ■ Not available

♿ Closer available with less than 5.0 lbs. opening force on 36" door.
 * Maximum opening/hold open point with standard template.
 ** Advanced Variable Back Check.
 *** Delay action for 4040XP incorporates standard 4041 cylinder.

Mounting details

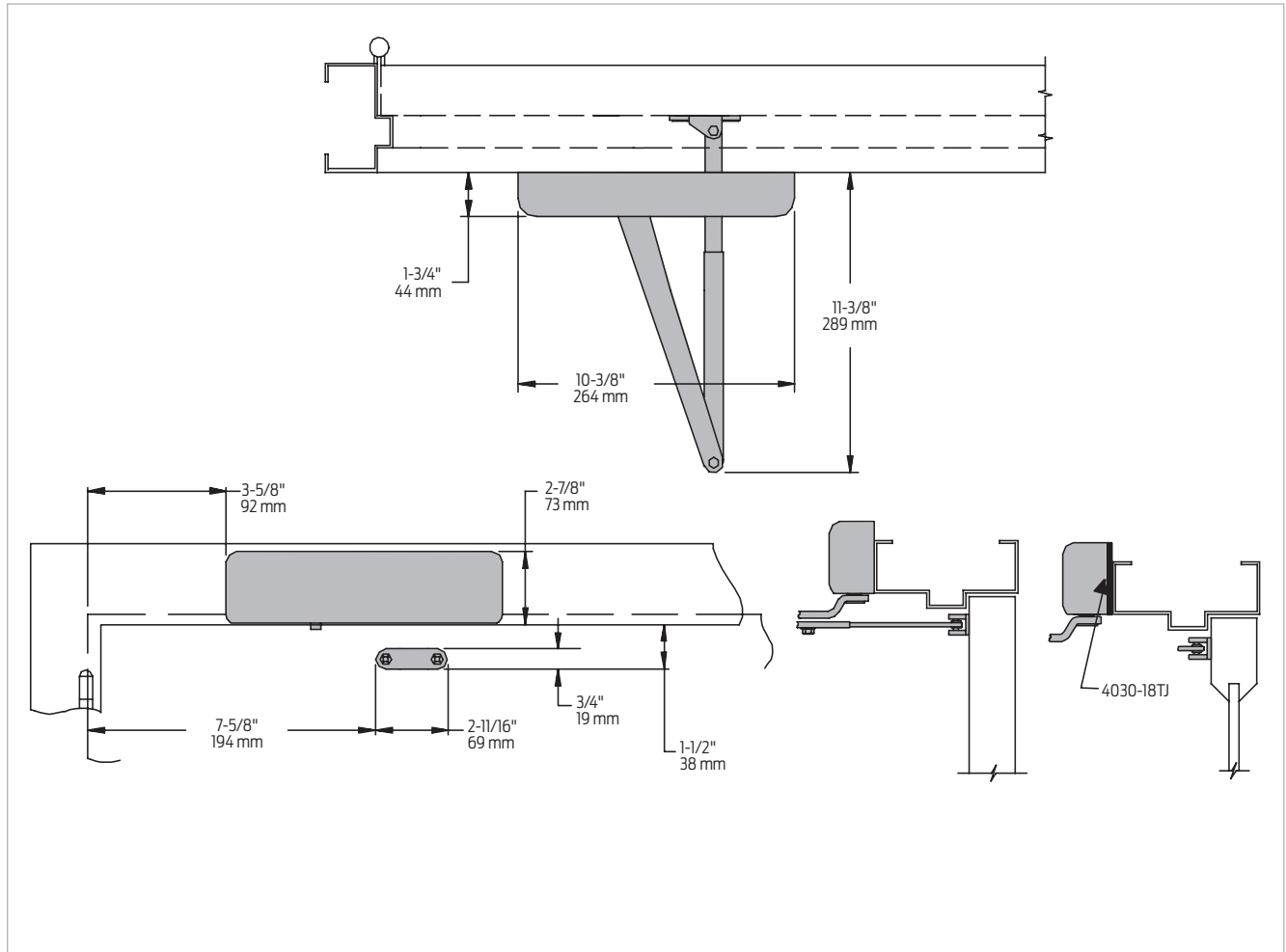
Hinge (pull) side mounting



Butt hinges	Should not exceed 5" (127 mm) in width
Auxiliary stop	Recommended at hold open point or where a door cannot swing 180°
Reveal	Should not exceed $\frac{3}{16}$ " (5 mm) for regular arm or $\frac{3}{16}$ " (5 mm) for Hold Open Arm
Top rail	Requires $2\frac{7}{8}$ " (73 mm) minimum
Clearance	$1\frac{3}{4}$ " (44 mm), behind door required for installation
Maximum opening	<ul style="list-style-type: none"> ▪ Can be templated for 180° ▪ Hold open points up to maximum opening with Hold Open Arm

Mounting details

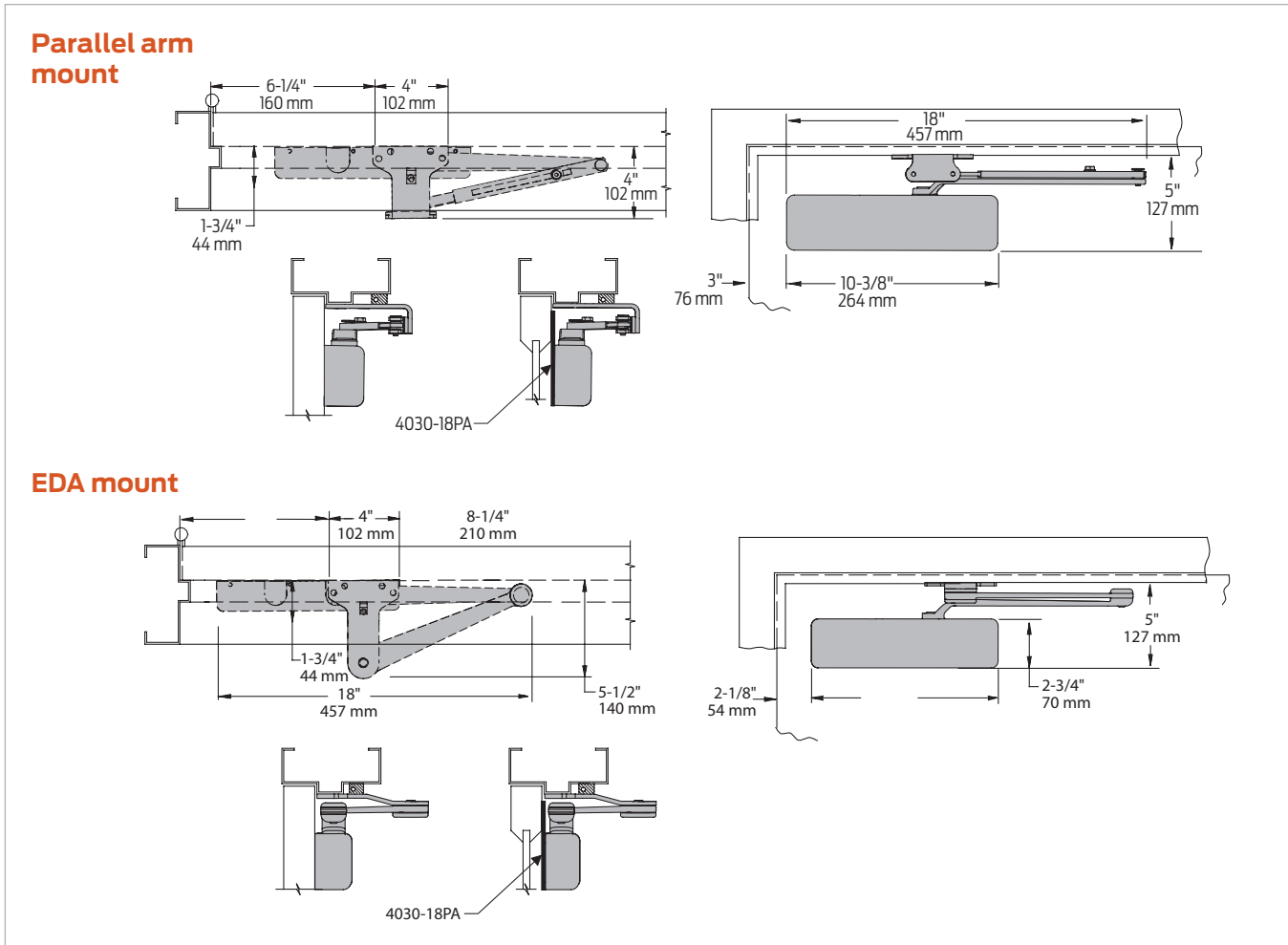
Top jamb (push) side mounting



Butt hinges	Should not exceed 5" (127 mm) in width
Auxiliary stop	Recommended at hold open point or where the door cannot swing 180°
Reveal	<ul style="list-style-type: none"> Up to 3 1/2" (89 mm) allows 180° opening Up to 7 1/2" (191 mm) with long arm allows for 140° opening
Top rail	Requires 1 1/2" (38 mm) minimum from stop
Head frame	<ul style="list-style-type: none"> Less than 2 1/4" (57 mm) requires plate, 4030-18TJ Plate requires 1 1/2" (38 mm) minimum
Maximum opening	<ul style="list-style-type: none"> Can be templated for 180° Hold open points up to maximum opening with Hold Open Arm (H)

Mounting details

Parallel arm (push side) and EDA mounting



Butt hinges	Should not exceed 5" (127 mm) in width
Auxiliary stop	Recommended at hold open point or where a door cannot swing maximum opening
Clearance	<ul style="list-style-type: none"> For 4030-62PA shoe is 4" (102 mm) from door face EDA arm is 5 1/2" (140 mm) from door face
Top rail	<ul style="list-style-type: none"> Less than 5" (127 mm) measured from the stop requires plate 4030-18PA Plate requires 1 3/4" (44 mm) minimum
Stop width	Minimum 1" (25 mm)
Head frame	Flush or single rabbetted requires PA shoe adapter, 4030-419
Blade stop	Clearance, requires 1/2" (13 mm) blade stop spacer, 4030-61
Auxiliary shoe	<ul style="list-style-type: none"> 4030-62A allows installation of regular arm with overhead holder/stop Special templating required
EDA arm	Requires shoe support, 4030-30 for fifth screw anchorage where reveal is less than 3 1/16" (78 mm)
Maximum opening	<ul style="list-style-type: none"> Regular or Hold Open Arms can be templated for 180° EDA template allows 110° maximum opening Hold open points up to maximum opening with Hold Open Arm (H)

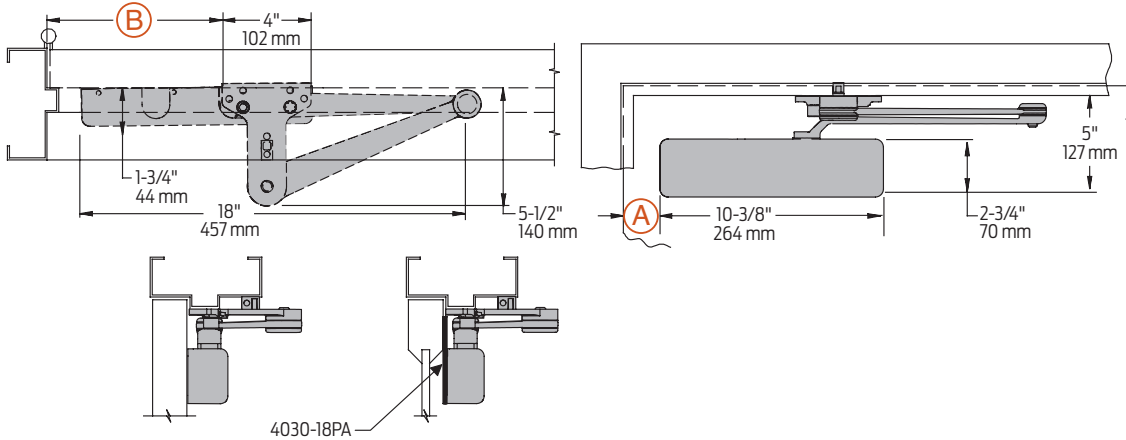
Notes:

- 4030 closers ordered with EDA arms include 4030-201 fifth hole spacer to support the shoe
- Regular or Hold Open Arm mounting requires PA shoe, 4030-62PA for Regular or Hold Open Arms; Add prefix "P" to closer description (eg. P4031.)
- P4031 closer includes 4030-201 fifth hole spacer to support PA shoe

Mounting details

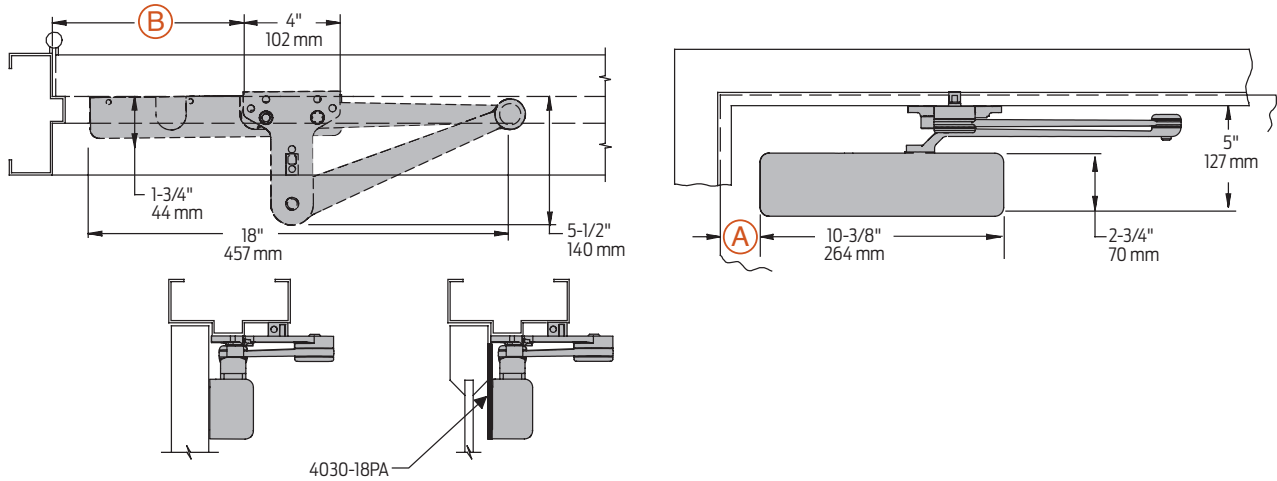
CUSH and Spring CUSH mounting

CUSH mount



Spring CUSH mount

Spring CUSH dead stop points are approximately 5° greater than templated stop point.



Clearance	For CUSH or SCUSH shoe is 5 1/2" (140 mm) from door face					
Head frame	Flush or rabbeted requires CUSH flush panel adapter, 4030-419					
CUSH or SCUSH Arm	Requires shoe support, 4030-30 for fifth screw anchorage where reveal is less than 3 1/16" (78 mm)					
Maximum opening	CUSH and SCUSH arms can be templated for maximum opening/hold open point at:					
	85°:	A = 3 5/8" (92 mm) B = 9 3/4" (248 mm)	90°:	A = 3" (76 mm) B = 9 1/8" (232 mm)	100°:	A = 1 7/8" (48 mm) B = 8" (203 mm)

1. 100° mounting will not work with swing clear hinges.

Note: 4031 closers ordered with CUSH or SCUSH arms include 4030-201 fifth hole spacer to support the shoe.

Introduction
Product selection guide
4010/4010T Series
4020/4020T Series
4030/4030T Series
4040XP/4040XP Series
4050A/4050AT Series
4110/4110T Series
4000T Series

Accessories

Cylinders



4031-3071
Cast iron cylinder assembly (CYL)

- Non-handed
- Standard

Covers



4030-72MC
Metal Cover (MC)

- Non-handed

Arms



4030-3077
Regular Arm (REGARM)

- Non-handed
- Mounts hinge side or top jamb
- P4031 closer includes PA shoe, 4030-62PA is required for parallel arm mounting



4030-3077LD
Light Duty Arm (LD)

- Non-handed
- Mounts hinge side, top jamb or parallel arm (62PA required)
- Optional



4030-3077L
Long Arm (LONG)

- Non-handed
- Includes long rod and shoe, 4030-79LR for top jamb mount with deep reveals
- Optional



4030-3049
Hold Open Arm (H)

- Non-handed
- Mounts hinge side, top jamb or parallel arm (62PA required)
- Hold open adjustable at shoe
- Optional



4030-3049L
Hold Open Long Arm (HLONG)

- Non-handed
- Includes long head and tube, 4030-3048L for top jamb mount with deep reveals
- Optional



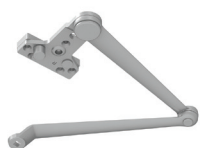
4030-3077EDA
Extra Duty Arm (EDA)

- Non-handed
- Extra duty arm features solid forged steel main and forearm for potentially abusive installations
- Optional



4030-3049EDA
Hold Open Extra Duty Arm (HEDA)

- Handed
- Arm, provides hold open function adjustable at shoe
- Optional



4030-3077CNS
Cush-n-Stop Arm (CUSH)

- Non-handed
- Solid forged steel main arm and forearm with stop in soffit shoe
- Optional



4030-3049CNS
Hold Open Cush-n-Stop Arm (HCUSH)

- Non-handed
- Provides hold open function with templated stop/hold open points
- Handle controls hold open function
- Optional



4030-3077SCNS
Spring Cush-n-Stop Arm (SCUSH)

- Non-handed
- For abusive applications
- Features solid forged steel main arm and forearm with spring loaded stop in the soffit shoe
- Optional



4030-3049SCNS
Spring Hold Open Cush-n-Stop Arm (SHCUSH)

- Non-handed
- For abusive applications
- Features solid forged steel main arm and forearm with spring loaded stop in the soffit shoe
- Handle controls hold open function
- Optional

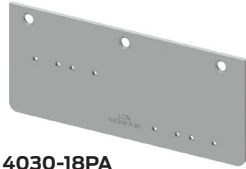
Accessories

Installation accessories



4030-18TJ
Plate

- Required for top jamb mounting where head frame is less than 2 1/4" (57 mm) or flush ceiling condition exists
- Requires 1 1/2" (38 mm) minimum



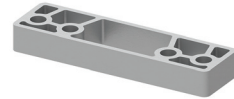
4030-18PA
Plate

- Required for parallel arm mounting where top rail is less than 5" (127 mm), measured from the stop
- Requires 1 3/4" (44 mm) minimum



4030-30
CUSH shoe support

- Provides anchorage for fifth screw used with CUSH arms where reveal is less than 3 1/16" (78 mm)



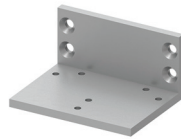
4030-61
Blade stop spacer

- Lowers parallel arm shoe to clear 1/2" (13 mm) blade stop



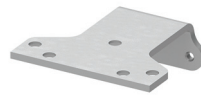
4030-62A
Auxiliary shoe

- Requires a top rail of 7" (178 mm)
- Replaces -62PA for parallel arm mounting of regular arm with some overhead holder/stop
- Optional



4030-419
PA flush panel adapter

- Provides horizontal mounting surface for PA or CUSH shoe on single rabbeted or flush frame



4030-62PA
PA shoe

- Required for parallel arm mounting