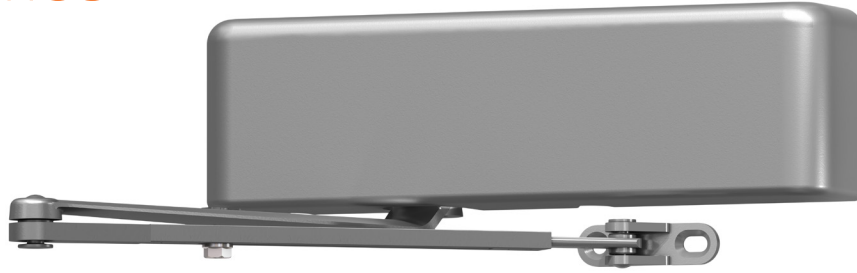


4020 Series



The 4020 is a heavy duty closer with adjustable spring power using the LCN Green Dial. This creates a custom fit to meet the specific demands of high traffic use and brings reliable performance.

Features

Certifications	Grade 1 - ANSI A156.4, UL 10C, ADA, 100 hour salt spray, meets BAA - Buy American Act	Cover	<ul style="list-style-type: none"> Plastic Cover (PC), standard Metal Cover (MC), optional
Body construction	<ul style="list-style-type: none"> Cast iron body Full complement bearing 1 1/2" diameter piston 1 1/16" diameter double heat treated pinion journal 	Fasteners	Self Reaming and Tapping Screws (SRT)
Fluid	All weather fluid	Mounting	Top jamb (Pull side)
Handing	Handed	Arms	Regular arm
Templating	Peel-n-Stick templates - 2 1/2" x 6" mounting hole pattern	Finishes/colors/ powder coat	<ul style="list-style-type: none"> 622 Matte black 689 Aluminum 690 Statuary bronze 691 Light bronze 693 Black 695 Dark bronze 696 Brass Custom colors optional
Size	Adjustable 1-5 or sized 6		<ul style="list-style-type: none"> Optional SRI primer - powder coat only Optional plated finishes
Warranty	30 years		

Special templates

Customized installation templates or products may be available to solve non-standard applications. Contact LCN Product Support for assistance.

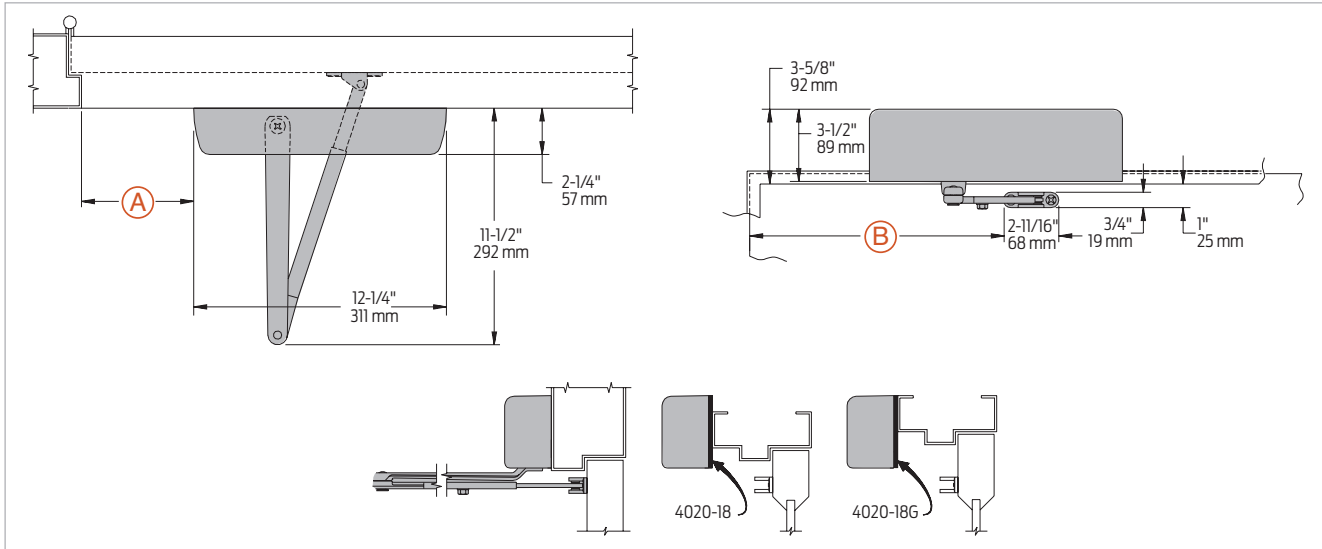
Mounting	Finish	Cover	Cylinder	Arm function*
Hinge (pull) side Top jamb (pull) Top jamb (push) Parallel arm Stop face Powder coat Plated	Plastic Metal	Non-handed Non-sized Accessibility Delay Action*** CYLAVB**	180° 140° 140°	Regular (double) Standard (single) Hold Open Fusible Link EDA/HEDA CUSH/HCLUSH SCUSH/SHCLUSH Double Egress
■ Available ■ Not available	■ Available ■ Not available	■ Available ■ Not available ♿ Closer available with less than 5.0 lbs. opening force on 36" door.	■ Available ■ Not available	■ Available ■ Not available

* Maximum opening/hold open point with standard template.
 ** Advanced Variable Back Check.
 *** Delay action for 4040XP incorporates standard 4041 cylinder.

Introduction
 Product selection guide
 4010/4010T Series
 4020/4020T Series
 4030/4030T Series
 4040XP/4040XPT Series
 4050A/4050AT Series
 4110/4110T Series
 4000T Series

Mounting details

Top jamb (push) side mounting



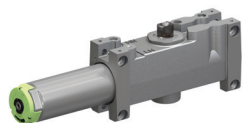
Butt hinges	Should not exceed 5" (127 mm) in width						
Auxiliary stop	Recommended at hold open point or where the door cannot swing 180°						
Reveal	<ul style="list-style-type: none"> 2 9/16" (65 mm) allows 180° opening with regular arm 4 13/16" (122 mm) allows up to 140° opening with regular arm 8" (203 mm) allows up to 140° opening with Long Arm (LONG) where standard rod and shoe is replaced with optional long rod and shoe (4020-79LR) 						
Head frame	Less than 3 7/16" (87 mm) requires plate, 4020-18. Use plate, 4020-18G for flush ceiling condition. Either plate requires 1 3/4" (44 mm) frame minimum.						
Top rail	<ul style="list-style-type: none"> Requires minimum 1 1/2" (38 mm) Closer on 4020-18 plate requires 2" (51 mm) minimum Closer on 4020-18G plate requires 2 3/4" (70 mm) minimum 						
Delay action	<ul style="list-style-type: none"> Add suffix "CYLDEL" to selected cylinder. Not available with 4026 cylinder Delays closing from maximum opening to approximately 75° Delay time adjustable up to approximately 1 minute 						
Maximum opening	Can be templated for: <table border="0" style="width: 100%;"> <tr> <td style="width: 33%;">100°: A = 6" (152 mm)</td> <td style="width: 33%;">140°: A = 4" (102 mm)</td> <td style="width: 33%;">180°: A = 2" (51 mm)</td> </tr> <tr> <td>B = 12 3/8" (314 mm)</td> <td>B = 10 3/8" (264 mm)</td> <td>B = 8 3/8" (213 mm)</td> </tr> </table>	100°: A = 6" (152 mm)	140°: A = 4" (102 mm)	180°: A = 2" (51 mm)	B = 12 3/8" (314 mm)	B = 10 3/8" (264 mm)	B = 8 3/8" (213 mm)
100°: A = 6" (152 mm)	140°: A = 4" (102 mm)	180°: A = 2" (51 mm)					
B = 12 3/8" (314 mm)	B = 10 3/8" (264 mm)	B = 8 3/8" (213 mm)					

- Notes:
- Hold open points up to maximum opening or 140°, whichever is less, for Hold Open or Fusible Link Arm
 - For hold open beyond 140° use 4110 Series closer

4020/4020T Series

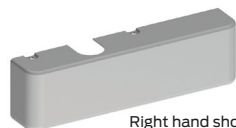
Accessories

Cylinders



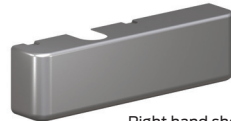
- 4021(6)-3071**
Cast iron cylinder assembly (CYL)
- Handed
 - Standard

Covers



Right hand shown

- 4020-72**
Plastic Cover (PC)
- Handed
 - Standard



Right hand shown

- 4020-72MC**
Metal Cover (MC)
- Handed
 - Required for plated finishes and custom powder coat finishes
 - Optional

Arms



- 4020-3077**
Regular Arm (REGARM)
- Non-handed



- 4020-3077L**
Long Arm (LONG)
- Non-handed
 - Includes 4020-79LR for deep reveals
 - Optional



- 4020-3049**
Hold Open Arm (H)
- Handed
 - Provides hold open function, adjustable at elbow
 - 5 3/4" (146 mm) maximum reveal, 140° hold open
 - Optional



- 4020-3049FL**
Fusible Link Arm (FL)
- Handed
 - Releases hold open function, adjustable at shoe, when exposed to temperatures above 165° F
 - 3 7/8" (98 mm) maximum reveal
 - Optional

Note: Check local codes before specifying FL arms. NOT A life safety product!

Installation accessories



- 4020-18**
Plate
- Required where head frame is less than 3 7/16" (87 mm)
 - Requires minimum 1 3/4" (44 mm) minimum head frame and 2" (51 mm) top rail 3 7/8" (98 mm) maximum reveal



- 4020-18G**
Plate
- For flush ceiling condition
 - Requires minimum 1 3/4" (44 mm) minimum head frame and 2 3/4" (70 mm) top rail