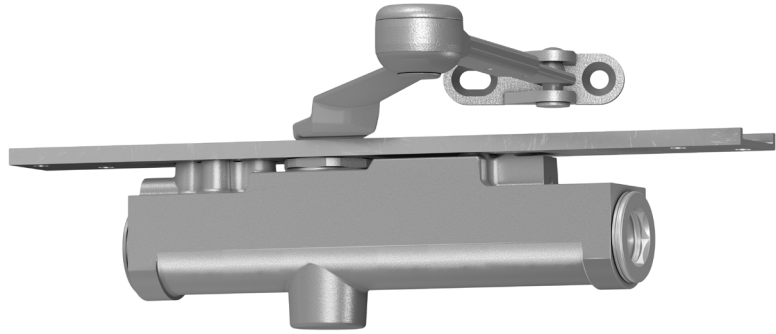


3030 Series



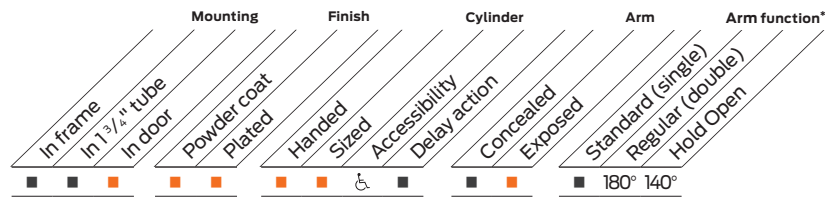
The concealed 3030 Series is designed to mount in a 1 3/4" interior door. The double lever arm provides superior door control and the choice of finishes and arm functions meet virtually all architectural requirements.

Features

Certifications	Grade 1 - ANSI A156.4, UL 10C, ADA, 100 hour salt spray, meets BAA - Buy American Act	Mounting	Concealed (in door); consult factory for installations with pivots
Body construction	<ul style="list-style-type: none"> Cast iron body Full complement bearing 1 1/8" diameter piston 	Arms	Regular arm
Fluid	All weather fluid	Finishes/colors/powder coat	<ul style="list-style-type: none"> 689 Aluminum 690 Statuary bronze 691 Light bronze 693 Black 695 Dark bronze 696 Brass Custom colors optional
Handing	Handed		<ul style="list-style-type: none"> Optional SRI primer - powder coat only Optional plated finishes
Size	Sized 1-4		
Warranty	15 years		
Fasteners	Wood Screws and Torx Security Screws (optional)		

Special templates

Customized installation templates or products may be available to solve non-standard applications. Contact LCN Product Support for assistance.



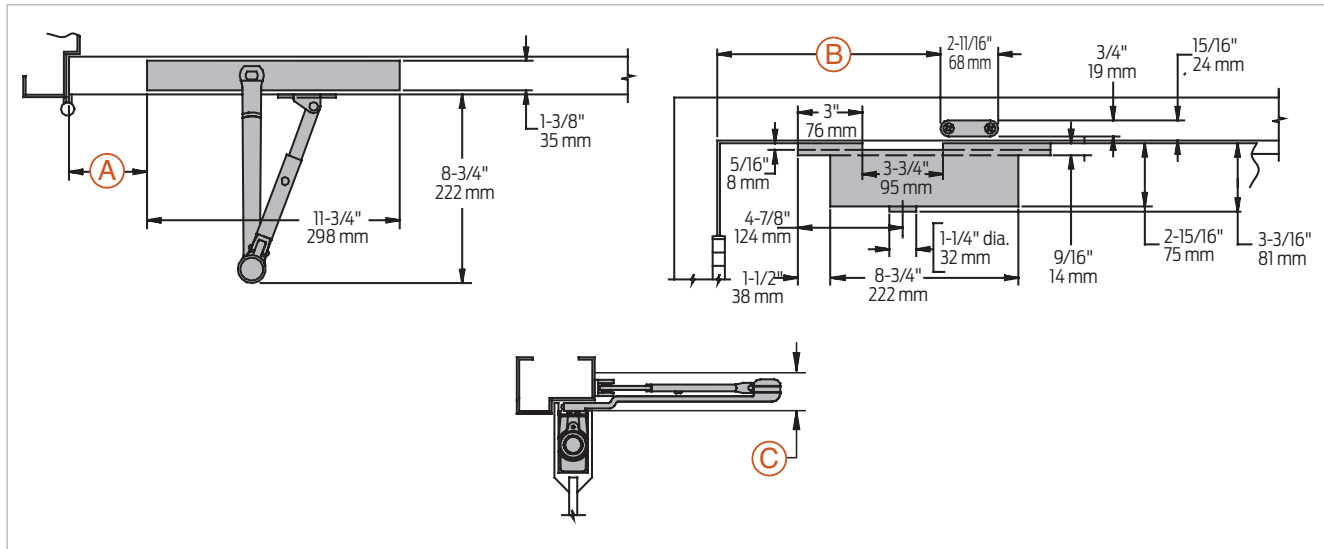
■ Available
 ■ Not available

♿ Closer available with less than 5.0 lbs. opening force on 36" door.

* Maximum opening/hold open point with standard template. See individual closer series for degrees of opening per installation.

Mounting details

Concealed mounting



Butt hinges	Should not exceed 5" (127 mm) in width
Auxiliary stop	Recommended at hold open point or where a door cannot swing 180°
Reveal	Minimum 4" (102 mm) required
Top rail	<ul style="list-style-type: none"> 1 3/4" (44 mm) minimum Please consult the door manufacturer to assure that the door integrity and warranty is maintained after installing the 3030 Series door closer in a 1 3/4" thick wood door
Clearance	2 13/16" (72 mm) behind door required for 90° installation
Delay action	Delays closing from 180°-70° Delay time adjustable up to approximately 1 minute
Maximum opening	<p>To 100°: A = 3 5/8" (92 mm) B = 10 1/4" (260 mm)</p> <p>130°: A = 2 5/8" (67 mm) B = 9 1/4" (235 mm)</p> <p>180°: A = 1 5/8" (41 mm) B = 8 1/4" (210 mm)</p> <p>Hold open points up to maximum opening or 140°, whichever is less, with Hold Open Arm (H)</p> <p>Arm clearance above door: C = 1 1/4" (32 mm)</p>

Notes:

- For interior doors
- Single acting cylinder in top rail of door
- Exposed arm on hinge side of door

3030 Series**Accessories****Cylinders**

3031(2)(3)(4)-3071
Cast iron cylinder assembly with mounting plate (CYL)

- Handed
- With mounting plate
- Standard



3030-3077
Regular Arm (REGARM)

- Non-handed



3030-3049
Hold Open Arm (H)

- Handed
- Provides hold open function, adjustable at elbow
- Optional