

# 2860 Series



The 2860 Senior Swing by LCN is an ADA door operator that is a two-in-one swing door operator. Senior swing operator when activated, opens doors automatically for wheelchair access, yet allows for manual operation for regular pedestrian traffic.

## Features

<b>Certifications</b>	Grade 1 - ANSI A156.19, UL325/228, UL1998, ADA, 100 Hour Salt Spray, Meets BAA - Buy American Act
<b>Handing</b>	Handed
<b>Door width</b>	<ul style="list-style-type: none"> <li>Combined width min 52" - 96"</li> <li>Simultaneous pair - width per leaf 26" minimum to 48" maximum</li> </ul>
<b>Warranty</b>	2 years

<b>Fasteners</b>	Wood and Machine Screws (WMS)
<b>Mounting</b>	Independent pair, overhead concealed, center pivot, offset pivot, butt hinge
<b>Arms</b>	Offset Pivot Arm or Center Pivot Arm
<b>Finishes/colors/powder coat</b>	<ul style="list-style-type: none"> <li>628 Aluminum, Anodized</li> <li>710 Dark Brown, Anodized</li> </ul>

**Special templates** | Customized installation templates or products may be available to solve non-standard applications. Contact LCN Product Support for assistance.

Mounting	Handing	Finish	Cover	Arm function
Surface mount single door	Handed*	Standard anodized	Standard (single lever)	Offset pivot arm
Surface mount simultaneous pair	Non-handed	Metal	Regular (double lever)	Center pivot arm
Surface mount independent pair			Double egress (push/pull)	
Concealed single door				
Concealed simultaneous pair				
Concealed independent pair				

■ Available  
■ Not available

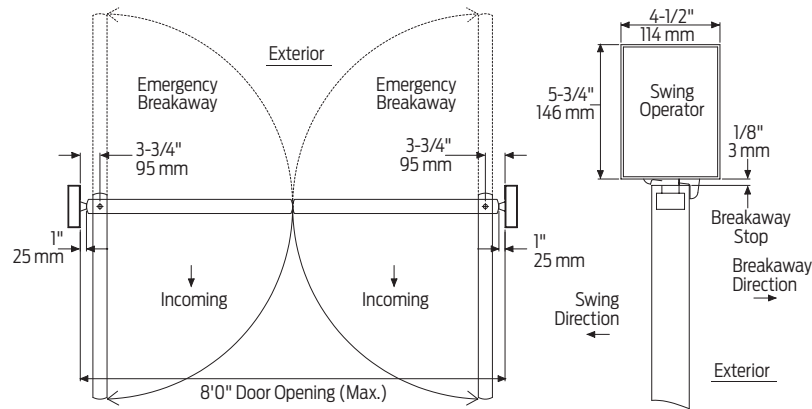
\* Handed for 2850 and 2860, double egress only.

## Mounting details

### Concealed independent pair

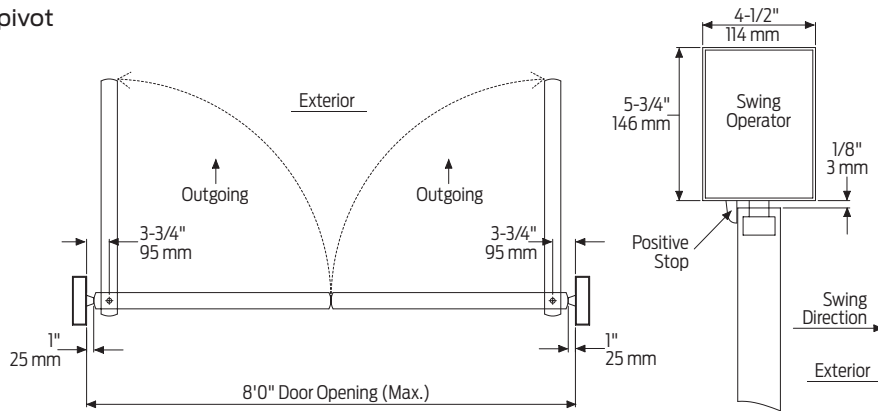
#### Center pivot, breakaway stop, pull

Shown with 3 3/4" pivot



#### Center pivot, positive stop, push

Shown with 3 3/4" pivot



Top rail	Minimum 2" (51 mm)
Head frame	Minimum 65" (L) x 5 3/4" (H) x 4 1/2" (W) (1651 mm x 146 mm x 114 mm)
Opening and closing time	<ul style="list-style-type: none"> <li>Variable by adjustments to the electronic control box</li> <li>Maximum hold open time adjustable up to approximately 32 seconds</li> </ul>
System diagram	See pages 45 for typical system wiring and page 44 for electrical data
Maximum opening	Template allows 90 degree power opening and 90 degree manual opening

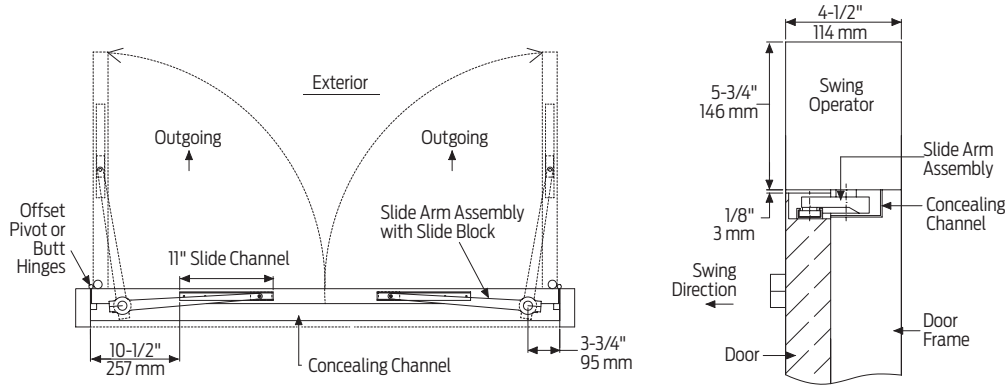
Notes:

- Push N' Go permits non-switch activation with power boosts providing additional latching force
- Electromechanical unit with microprocessor control
- Digital keypad for easy setup
- 72" header length is standard. Specify other length 65" - 98" max (consult factory with this option)
- Adjustable hold time of 1-32 seconds
- Actuators available separately, see pages 100-117

# Mounting details

## Concealed independent pair

### Offset pivot or butt hinge, push



<b>Top rail</b>	Minimum 2" (51 mm)
<b>Head frame</b>	Minimum 65" (L) x 5 3/4" (H) x 4 1/2" (W) (1651 mm x 146 mm x 114 mm)
<b>Opening and closing time</b>	<ul style="list-style-type: none"> <li>Variable by adjustments to the electronic control box</li> <li>Maximum hold open time adjustable up to approximately 32 seconds</li> </ul>
<b>System diagram</b>	See pages 45 for typical system wiring and page 44 for electrical data
<b>Maximum opening</b>	Template allows 90 degree power opening and 90 degree manual opening

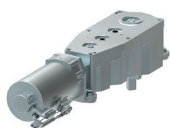
**Notes:**

- Offset pivot installations require a bottom pivot and two intermediate pivots
- Push N' Go permits non-switch activation with power boosts providing additional latching force
- Electromechanical unit with microprocessor control
- Digital keypad for easy setup
- 72" header length is standard. Specify other length 65" - 98" max (consult factory with this option)
- Optional Positive (POS) or Breakaway Stop (BKY) available (Center Pivot Arm)
- Header lengths 70" - 98" max with either POS or BKY
- Adjustable hold time of 1-32 seconds
- Actuators available separately, see pages 100-117

Introduction  
 Product selection guide  
 Pneumatic systems Auto equalizers 2610/4810/4820/4840/7900 Series  
 Electrohydraulic systems Auto equalizers 4630/4640 Series  
 Electromechanical systems Benchmark 9130/9140/9150 Series  
 Electromechanical systems Senior Swing 2810/2850/2860/9530/9540/9550/9560 Series  
 Actuators and accessories

## Accessories

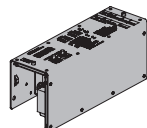
### Motor gearbox



**2860-3454  
Standard Motor Gearbox (MGB)**

- Senior Swing
- Handed
- Driving mechanism for operator
- Provides maximum 15 lbs opening force

### Control box



**2860-3462  
Standard Controller  
(CTRL)**

- Electronic controlling device for Senior Swing

### Arm



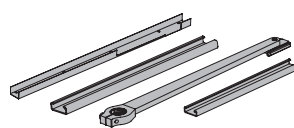
**2860-3077CP  
2 3/4" Center Pivot Arm  
(ARMCP)**

- Center pivot installations only
- Used with overhead concealed operators and center pivoted doors



**2860-3077OP  
3 3/4" Offset Pivot Arm (ARMOP)**

- Offset pivot or butt hung installations only
- Used with overhead concealed operators



**2860-3077OPCM  
Offset Pivot Arm Assembly**

- Offset arm with track and concealing channel
- Includes 3072 Concealing Channel, 168 Slide Channel and 30770P Offset Pivot Arm

### Brackets



**2860-375  
Mounting Bracket**

- Motor gearbox mounting bracket for 3 3/4" offset pivot, butt hinge or center pivot with finger guard installations
- Front bracket



**2860-275  
Mounting Bracket**

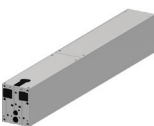
- Motor gearbox mounting bracket for 3 3/4" center pivot installations
- Front bracket



**2860-3018  
Rear Mounting Bracket**

- Motor gearbox mounting bracket
- Rear bracket

### Header



**2860-3572HL  
Standard Mounting Header  
(HDR)**

- Pair door, two operators
- Specify length 65" to 98" maximum
- Standard

### End cap

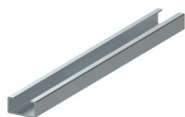


**2860-334  
Header End Caps**

- With openings for wiring

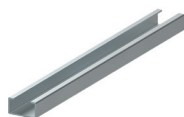
## Accessories

### Channels



**2860-3072**  
**Concealing Channel**

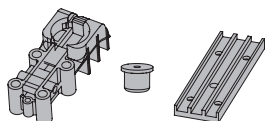
- Used to conceal arm in overhead concealed applications
- For offset pivot installations only
- If ordering separately specify length and hand



**2860-168**  
**Slide Channel**

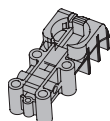
- Offset pivot or butt hinge installations only
- Mounts in top rail of door
- Allows arm to slide

### Pivots



**2860-3107**  
**Bottom Pivot Assembly**

- Includes pivot body, pivot post and bottom pivot plate
- For overhead concealed, center pivoted installations
- Includes: 2860-107, 2860-110 and 2860-117



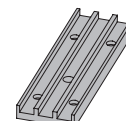
**2860-107**  
**Bottom Pivot Body**

- Pivot body for center pivoted installations



**2860-110**  
**Pivot Post**

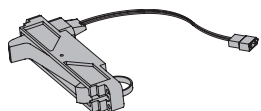
- Connects pivot body to bottom pivot plate for center pivoted installations



**2860-117**  
**Bottom Pivot Plate**

- Applied to floor for center pivoted installations

### Installation accessories



**2860-384B**  
**Breakaway Stop (BKY)**

- Allows in-swinging door to swing out in case of emergency
- For center pivoted installations only



**2860-384F**  
**Positive Stop (POS)**

- Prevents out-swinging door from swinging in
- For center pivoted installations only



**2860-12**  
**Filler Plate Blank**

- Completes length of header box



**2860-11A**  
**Spindle Plate**

- Hides bottom of motor gearbox
- Completes header box
- Cutout allows for motor gearbox shaft
- For 2 3/4" center pivot installations



**2860-11B**  
**Spindle Plate**

- Hides bottom of motor gearbox
- Completes header box
- Cutout allows for motor gearbox shaft
- For 3 3/4" offset pivot, butt hinge or center pivot with finger guard installations

Introduction  
 Product selection guide  
 Pneumatic systems  
 Auto equalizers  
 2610/4810/4820/4840/7900 Series  
 Electrohydraulic systems  
 Auto equalizers  
 4630/4640 Series  
 Electromechanical systems  
 Benchmark  
 9130/9140/9150 Series  
 Electromechanical systems  
 Senior Swing  
 2810/2850/2860/9530/9540/9550/9560 Series  
 Actuators and accessories