

2850 Series



The 2850 Senior Swing by LCN is an ADA door operator that is a two-in-one swing door operator. Senior swing operator when activated, opens doors automatically for wheelchair access, yet allows for manual operation for regular pedestrian traffic.

Features

Certifications	Grade 1 - ANSI A156.19, UL325, UL1998, ADA, 100 Hour Salt Spray, Meets BAA - Buy American Act	Fasteners	Wood and Machine Screws (WMS)
Fluid	All Weather Fluid	Mounting	Double door, overhead concealed, center pivot, offset pivot, butt hinge
Handing	Handed	Arms	Offset Pivot Arm or Center Pivot Arm
Door width	<ul style="list-style-type: none"> Combined width min 52" - 96" Simultaneous pair - width per leaf 26" minimum to 48" maximum 	Finishes/colors/powder coat	<ul style="list-style-type: none"> 628 Aluminum, Anodized 710 Dark Brown, Anodized
Warranty	2 years		

Special templates | Customized installation templates or products may be available to solve non-standard applications. Contact LCN Product Support for assistance.

Mounting	Handing	Finish	Cover	Arm function
Surface mount single door	Handed*	Standard anodized	Standard (single lever)	Standard (single lever)
Surface mount simultaneous pair	Non-handed	Metal	Regular (double lever)	Double egress (push/pull)
Surface mount independent pair			Offset egress (push/pull)	Offset pivot arm
Concealed single door			Center pivot arm	
Concealed simultaneous pair				
Concealed independent pair				

■ Available
■ Not available

* Handed for 2850 and 2860, double egress only.

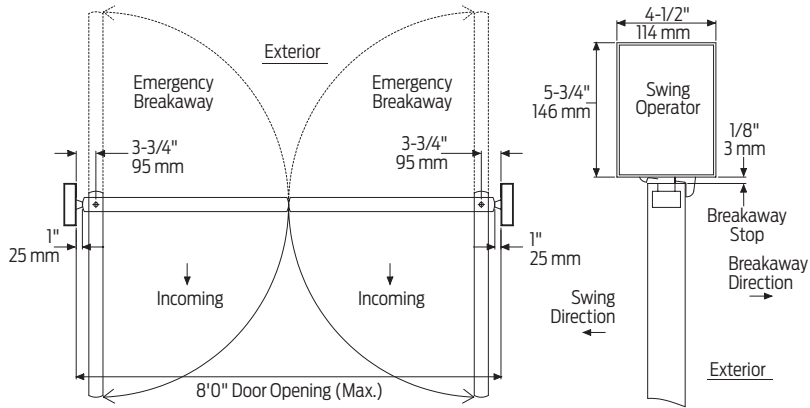
Introduction
 Product selection guide
 Pneumatic systems / Auto equalizers / 2610/4810/4820/4840/7900 Series
 Electrohydraulic systems / Auto equalizers / 4630/4640 Series
 Electromechanical systems / Benchmark / 9130/9140/9150 Series
 Electromechanical systems / Senior Swing / 2810/2850/2860/9530/9540/9550/9560 Series
 Actuators and accessories

Mounting details

Concealed simultaneous pair

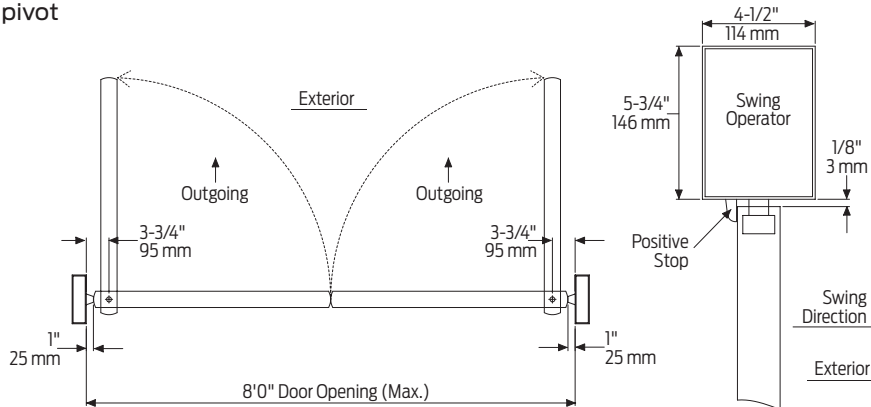
Center pivot, breakaway stop, pull

Shown with 3 3/4" pivot



Center pivot, positive stop, push

Shown with 3 3/4" pivot



Top rail	Minimum 2" (51 mm)
Head frame	Minimum 52" (L) x 5 3/4" (H) x 4 1/2" (W) (1524 mm x 146 mm x 114 mm)
Opening and closing time	<ul style="list-style-type: none"> Variable by adjustments to the electronic control box Maximum hold open time adjustable up to approximately 32 seconds
System diagram	See pages 45 for typical system wiring and page 44 for electrical data
Maximum opening	Template allows 90 degree power opening and 90 degree manual opening

Notes:

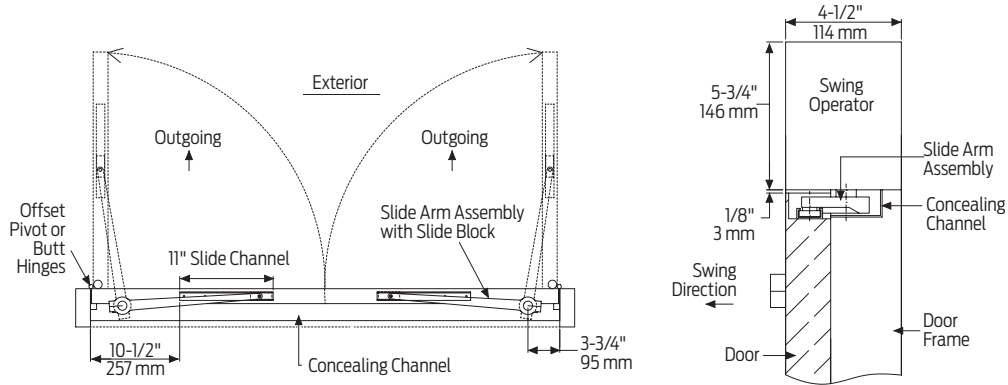
- Push N' Go permits non-switch activation with power boost providing additional latching force
- Electromechanical unit with microprocessor control
- 36" header length is standard, specify length 33" - 49" max
- Double Door Header available 98", specify length 49" - 98" max
- Positive or Breakaway Stop available with Center Pivot Arm
- Adjustable hold open time of 1-32 seconds
- Actuators available separately, see pages 100-117

Mounting details

Concealed simultaneous pair

Offset pivot or butt hinge, slide arm, push

Shown with 3 3/4" pivot



Top rail	Minimum 2" (51 mm)
Head frame	Minimum 52" (L) x 5 3/4" (H) x 4 1/2" (W) (1524 mm x 146 mm x 114 mm)
Opening and closing time	<ul style="list-style-type: none"> Variable by adjustments to the electronic control box Maximum hold open time adjustable up to approximately 32 seconds
System diagram	See pages 45 for typical system wiring and page 44 for electrical data
Maximum opening	Template allows 90 degree power opening and 90 degree manual opening

Notes:

- Push N' Go permits non-switch activation with power boost providing additional latching force
- Electromechanical unit with microprocessor control
- 36" header length is standard, specify length 33" - 49" max
- Double Door Header available 98", specify length 49" - 98" max
- Positive or Breakaway Stop available with Center Pivot Arm
- Adjustable hold open time of 1-32 seconds
- Actuators available separately, see pages 100-117

Introduction
 Product selection guide
 Pneumatic systems Auto equalizers 2610/4810/4820/4840/7900 Series
 Electrohydraulic systems Auto equalizers 4630/4640 Series
 Electromechanical systems Benchmark 9130/9140/9150 Series
 Electromechanical systems Senior Swing 2810/2850/2860/9530/9540/9550/9560 Series
 Actuators and accessories

Accessories

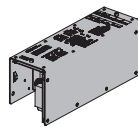
Motor gearbox



**2850-3454
Standard Motor Gearbox (MGB)**

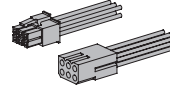
- Senior Swing
- Driving mechanism for operator
- Provides maximum 15 lbs opening force
- Handed

Control box



**2850-3462
Standard Controller (CTRL)**

- Senior Swing
- Electronic controlling device for Senior Swing



**2850-982
Companion Cable**

- Cable that allows one control box to run two motor gearboxes
- For use with Senior Swing

Arm



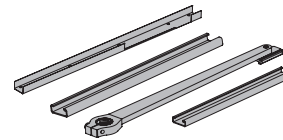
**2850-3077CP
2 3/4" Center Pivot Arm (ARMCP)**

- Center pivot installations only
- Used with overhead concealed operators and center pivoted doors



**2850-3077OP
3 3/4" Offset Pivot Arm (ARMOP)**

- Offset pivot or butt hung installations only
- Handed
- Used with overhead concealed operators



**2850-3077OPCM
Offset Pivot Arm Assembly**

- Offset Pivot Arm with track and concealing channel
- Includes 3072 Concealing Channel, 168 Slide Channel and 3077OP offset pivot arm

Brackets



**2850-375
Mounting Bracket**

- Motor gearbox mounting bracket for 3 3/4" offset pivot, butt hinge or center pivot with finger guard installations
- Front bracket



**2850-275
Mounting Bracket**

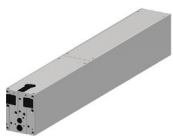
- Motor gearbox mounting bracket for 2 3/4" center pivot installations
- Front bracket



**2850-3018
Rear Mounting Bracket**

- Motor gearbox mounting bracket
- Rear bracket

Header



**2850-3572HL
Standard Mounting Header (HDR)**

- Mounting header
- Pair door, two operators
- Specify length 52" to 98" maximum
- Standard

End cap

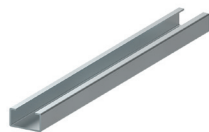


**2850-334
Header End Caps**

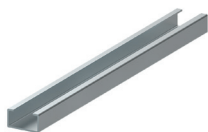
- End cap with openings for wiring

Accessories

Channels

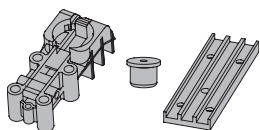


- 2850-3072
Concealing Channel**
- Used to conceal arm in overhead concealed applications
 - For offset pivot installations only
 - If ordering separately specify length and hand

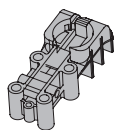


- 2850-168
Slide Channel**
- Offset pivot or butt hinge installations only
 - Mounts in top rail of door
 - Allows arm to slide

Pivots



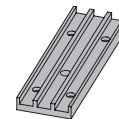
- 2850-3107
Bottom Pivot Assembly**
- Includes pivot body, pivot post and bottom pivot plate
 - For overhead concealed, center pivoted installations
 - Includes: 2850-107, 2850-110 and 2850-117



- 2850-107
Bottom Pivot Body**
- Pivot body for center pivoted installations

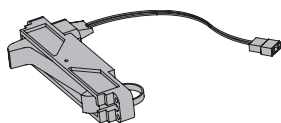


- 2850-110
Pivot Post**
- Connects pivot body to bottom pivot plate for center pivoted installations



- 2850-117
Bottom Pivot Plate**
- Applied to floor for center pivoted installations

Installation accessories



- 2850-384B
Breakaway Stop (BKY)**
- Allows in-swinging door to swing out in case of emergency
 - For center pivoted installations only



- 2850-384F
Positive Stop (POS)**
- Prevents out-swinging door from swinging in
 - For center pivoted installations only



- 2850-12
Filler Plate Blank**
- Completes length of header box



- 2850-11A
Spindle Plate**
- Hides bottom of motor gearbox
 - Completes header box
 - Cutout allows for motor gearbox shaft
 - For 2 3/4" center pivot installations



- 2850-11B
Spindle Plate**
- Hides bottom of motor gearbox
 - Completes header box
 - Cutout allows for motor gearbox shaft
 - For 3 3/4" offset pivot, butt hinge or center pivot with finger guard installations

Introduction
 Product selection guide
 Pneumatic systems
 Auto equalizers
 2610/4810/4820/4840/7900 Series
 Electrohydraulic systems
 Auto equalizers
 4630/4640 Series
 Electromechanical systems
 Benchmark
 9130/9140/9150 Series
 Electromechanical systems
 Senior Swing
 2810/2850/2860/9530/9540/9550/9560 Series
 Actuators and accessories