

2800ST SERIES

Cam Action Door Closer



Norton[®]
ASSA ABLOY

ASSA ABLOY, the global leader
in door opening solutions

2800ST SERIES

CAM ACTION DOOR CLOSER

OVERVIEW

Features

- Smooth operation; efficient, powerful, heavy-duty
- Easier to open than rack-and-pinion door closers with track arms
- Slide track application with regular arm operating efficiency
- Slide track standard
- Adjustable spring size 1 through 6
- Non-handed
- Push or pull side installation
- Cast aluminum body
- Hold Open; specify H suffix
- Sleeve Nuts (optional)
- 10-year limited warranty

Functions



- Adjustable closing force
- Adjustable closing and latching speed
- Backcheck standard

DOOR SIZES

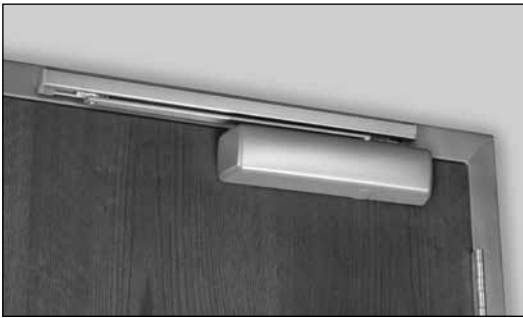
- Suitable for exterior and interior doors
- Recommended maximum interior door width 54" (137cm)
- Recommended maximum door weight 250 lbs.
- Standard opening range:
 - Push Side = 140°
 - Pull Side = 110°

Note: Door openings greater than 140° for push side and 110° for pull side can be achieved when an auxiliary door stop (by others) is used. Consult factory for details and templates.

CERTIFICATIONS

- UL / cUL listed for use on fire rated doors 
- UL10C listed for positive pressure fire test
- Comply with requirements for the Americans with Disabilities Act (A.D.A) 

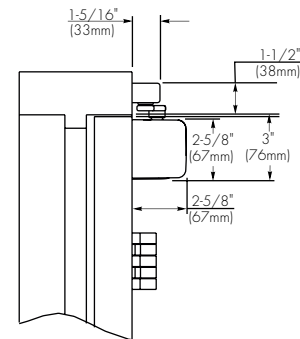
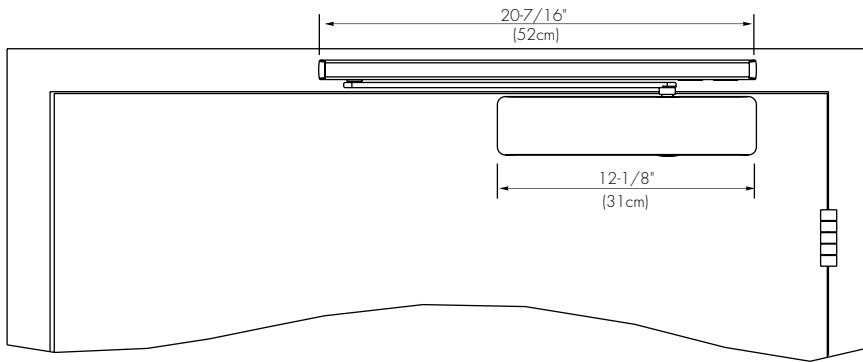
STANDARD APPLICATIONS



2800ST
HINGE (PULL) SIDE OF DOOR

- Maximum interior door width 54" (137cm).
- An auxiliary stop (by others) is suggested where severe conditions exist.
- 140° swing (trim permitting)

Note: Door openings to 160° can be achieved if an auxiliary door stop (by others) is installed to dead stop the door. Consult factory for details.



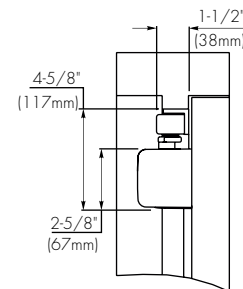
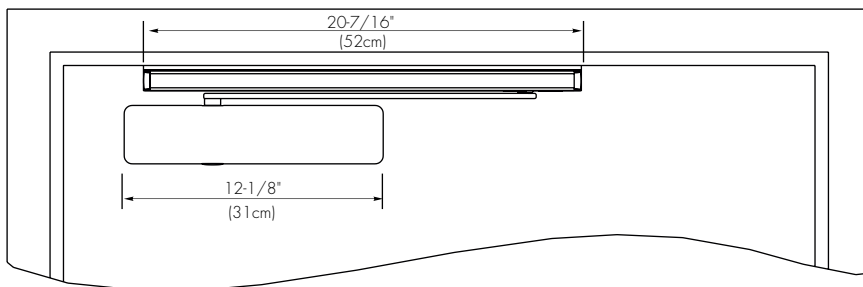
NOTE: Contact factory for use on doors exceeding 250 lbs.



PS2800ST
STOP (PUSH) SIDE OF DOOR

- Minimum frame reveal is 1-1/2" (38mm).
- An auxiliary door stop is suggested when severe conditions exist.
- 110° swing (trim permitting)

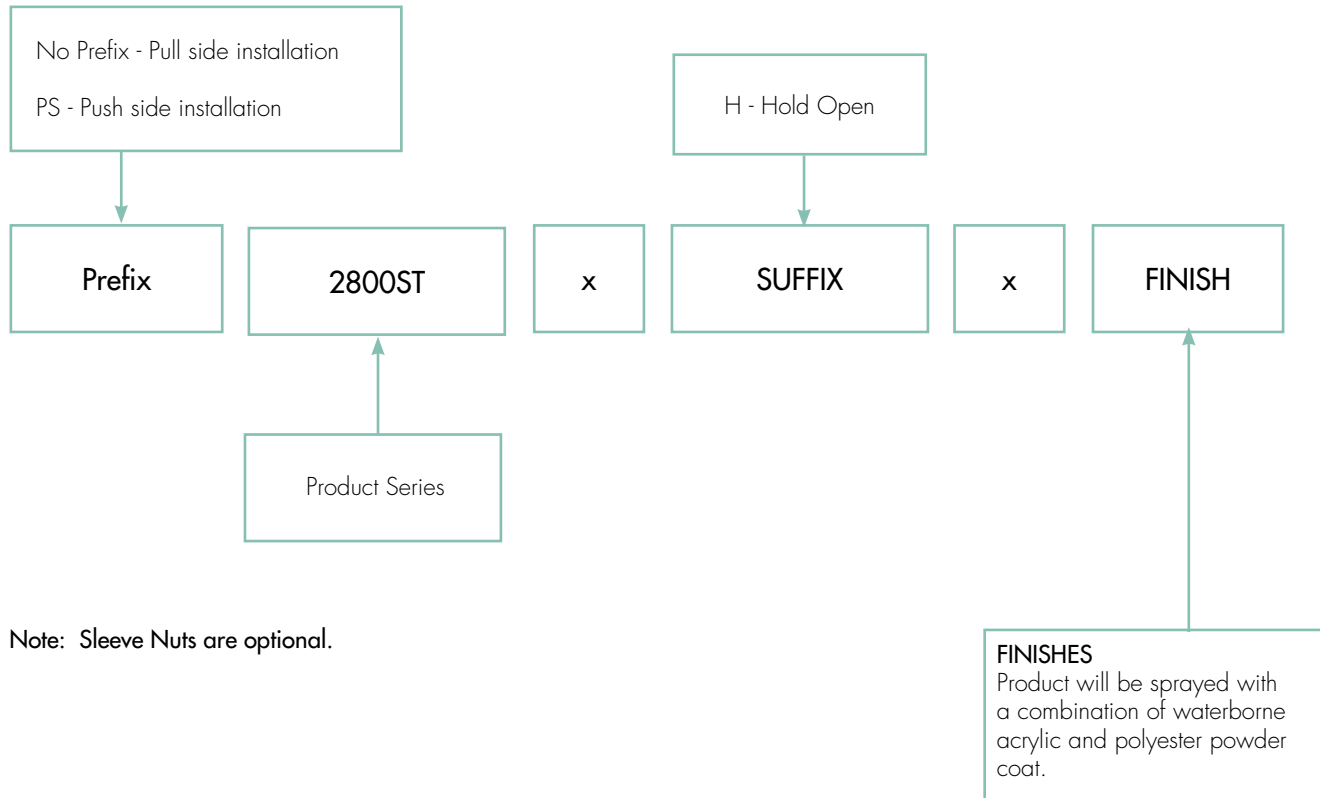
Note: Door openings up to 130° can be achieved if an auxiliary door stop (by others) is installed to dead stop the door. Consult factory for details.



NOTE: Contact factory for use on doors exceeding 250 lbs.

2800ST SERIES CAM ACTION DOOR CLOSER

HOW TO ORDER



Note: Sleeve Nuts are optional.

Description	Specify Designation (BHMA)	Complements the following finishes	Old Designation
Aluminum	689	628, 625, 629, 630, 651, 652	AL
Statuary Bronze	690	640, 613	STAT
Dull Bronze	691	612, 637, 639	DB
Black	693	315	315
Medium Amber	694	312	312
Gold	696	605, 606, 632, 633	GB
Prime Coat	600*		SRI

*600 is a special rust-inhibiting prime coat. Closers can be ordered prime coat only (specify closer x 600). An additional charge applies if finish coat is required over prime coat (ex: 2800ST x 600 x 689).

2800ST SERIES

CAM ACTION DOOR CLOSER

ACCESSORIES

Narrow Top Rail - #2888 Drop Plate: For use where the narrow top rail of the door prevents the closer from being mounted directly to the door surface. This drop plate must be used for closer mounted on a top rail between 1-7/8" and 3-3/8" (48 and 86mm) in height.



ARCHITECTURAL SPECIFICATIONS

General Specifications

Door Controls____ (interior) (exterior) swinging door(s) shall be cam and roller design contained within a precision cast aluminum housing. Door closing force shall be adjustable to ensure adequate closing control. Door closing speed shall be controlled by independent hydraulic adjustment valves in the sweep and latch range of the closing cycle. Door closer shall have an adjustable hydraulic backcheck valve to cushion the door speed if door is opened violently. Maximum door open shall be templated to (85°), (90°), (100°), (110°), conditions permitting. Door closer shall have hold open capability with an on/off selector and tension adjustment. Non-hold open units shall be U.L. Listed for self-closing door. Unit shall be in compliance with the requirements of the Americans With Disabilities Act (ADA). ANSI standards A117.1. Units shall meet C-UL US.