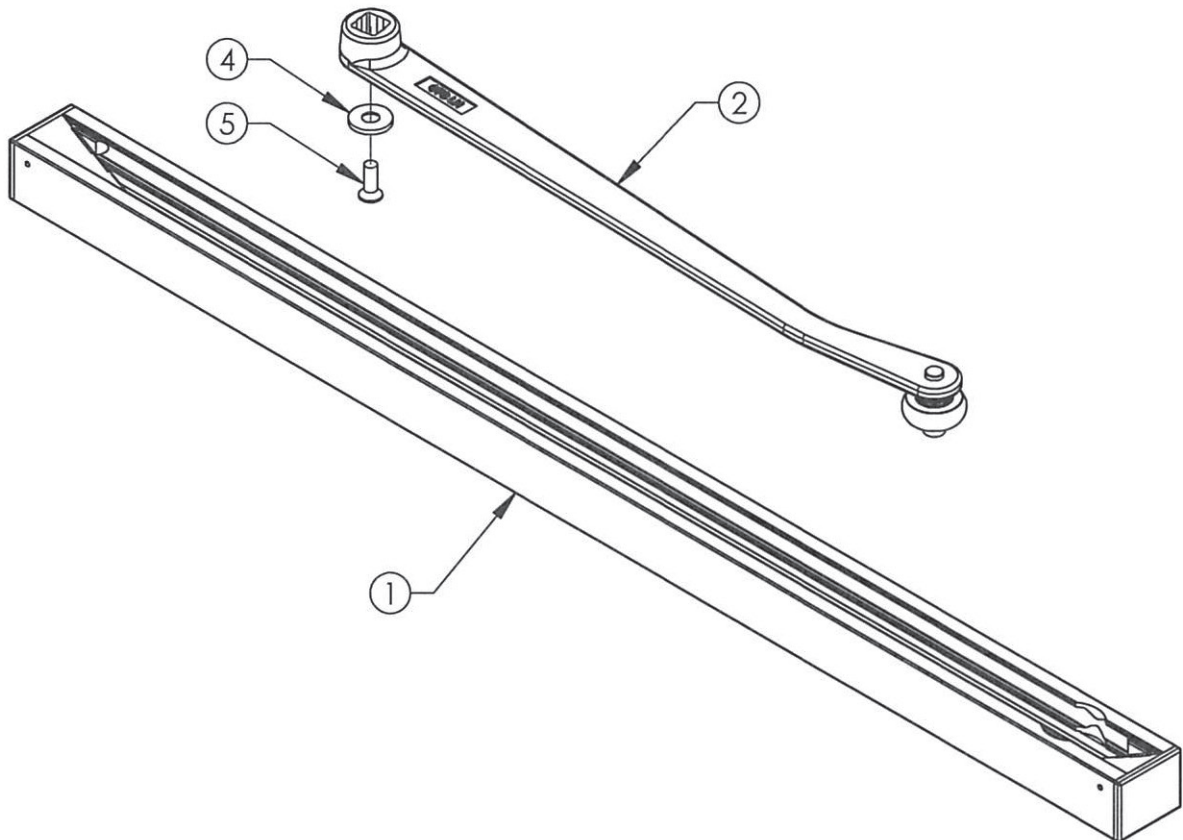


268/269 Security Arm Assembly

(CSP, CSPS & CSPD)



ITEM NO.	QTY	PART NUMBER	DESCRIPTION	COMMENTS
1	1	63-3272	SECURITY TRACK ASSMBLY	
2	1	63-3394*	ARM & ROLLER ASSEMBLY (RIGHT HAND)	
		63-3395*	ARM & ROLLER ASSEMBLY (LEFT HAND)	
3	1	63-6341*	268/269 SECURITY SCREW PACK (NOT SHOWN)	
4	1	—	WASHER	INCLUDED IN ITEM 3
5	1	—	#12-24 X 5/8" 6 LOBE TAMPER RESISTANT FLAT HEAD MACHINE SCREW	
6	4	—	#12 X1-1/2" 6 LOBE TAMPER RESISTANT FLAT HEAD WOOD SCREW (NOT SHOWN)	
7	4	—	#12-24 X 3/4" 6 LOBE TAMPER RESISTANT FLAT HEAD MACHINE SCREW (NOT SHOWN)	
*FINISH REQUIRED: POWDER COAT FINISHES — EB, ED, EN, EP, EAB PLATED FINISHES — 04, 10B, 26D				