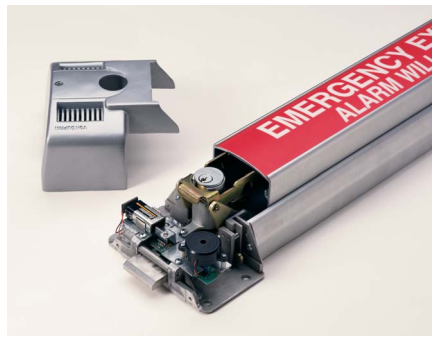
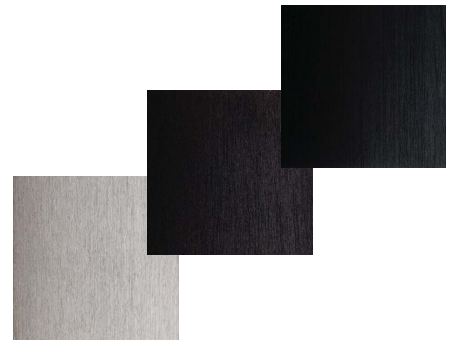




Large 2" x 1/2" stainless steel deadbolt provides maximum security. A Standard rim cylinder is used to arm or disarm lock.



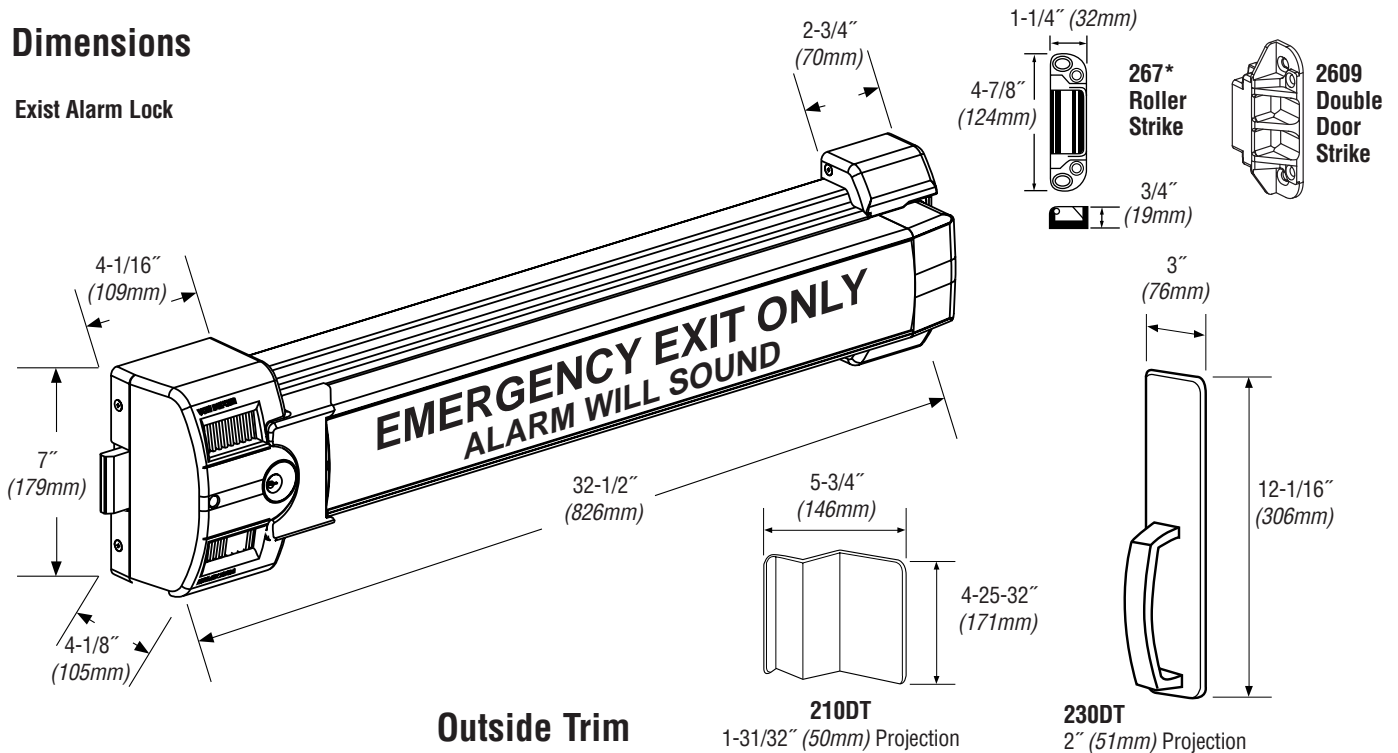
Heavy-duty construction provides long service life.



Three finishes available, including aluminum (US28), anodized duranodic dark bronze (313AN/710) and anodized black (315AN).

Dimensions

Exist Alarm Lock



Touchbar height to finished floor	40" (1016mm) at center
Door width range	36" (914mm) to 48" (1219mm)
Touchbar projection —	
neutral	4-1/8" (103mm)
depressed	2-3/4" (70mm)
Latch case housing	7" (179mm) x 4-1/16" (103mm) x 4-1/8" (105mm)
Device length	32-1/2" (826mm)

Finishes — US28 (Aluminum), 313AN (Duranodic Brown), 315AN (Black)

How-To Order

1. Model number 2670 (includes strike, screw pack and battery)
2. Finish — US28, 313AN or 315AN
3. French or Spanish sign, when required. English with Braille is standard.

Accessories

4. Sex nuts and bolts (6 #325) — when required
5. PT990 9-volt External Power Supply — when required
6. 210DT x 050140 or 230DT x 050140 — when required
7. 3216 Rim Cylinder, when required

*2609 double door strike available.