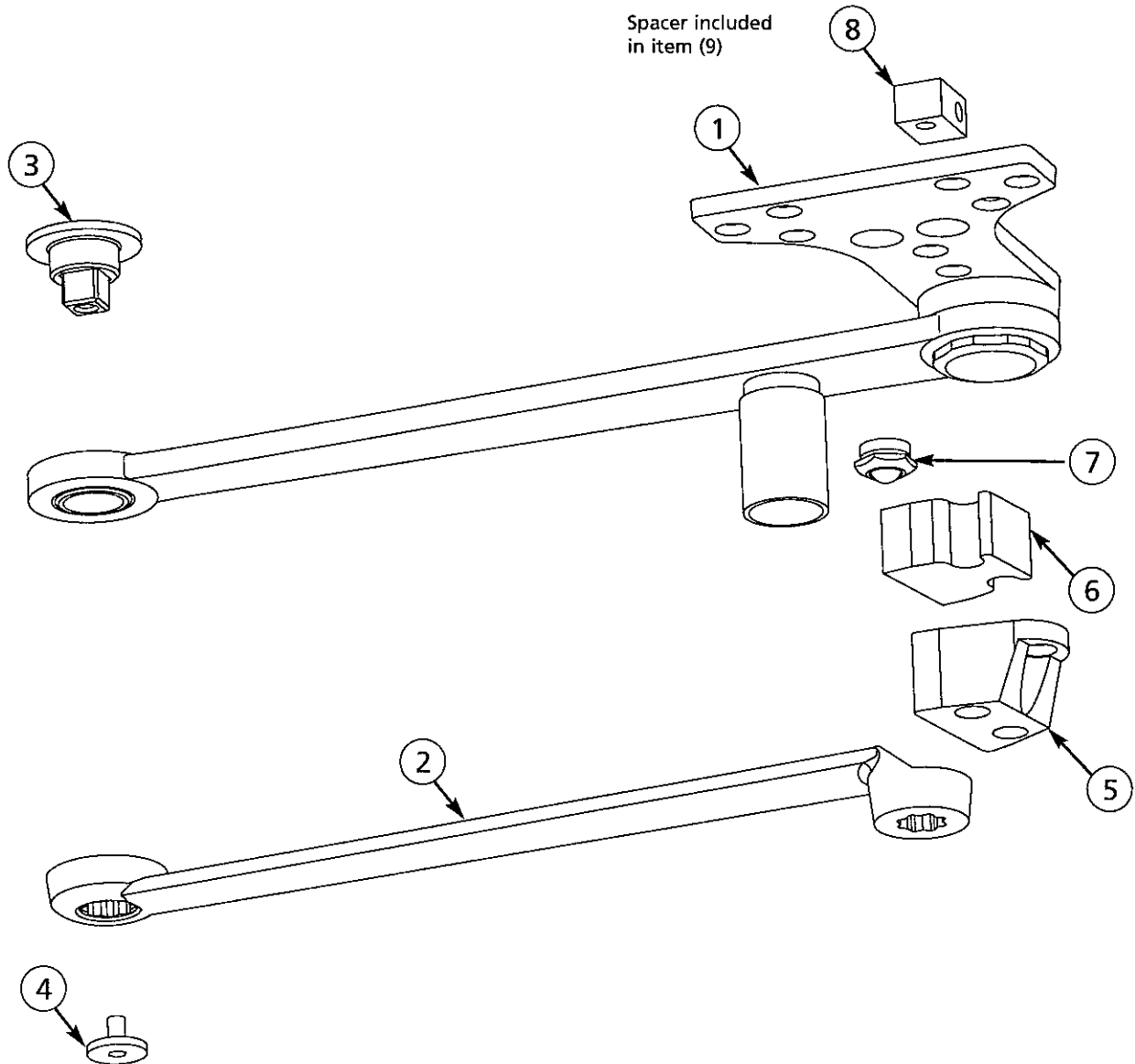


25-CPSH Heavy Duty Parallel Arm with Hold Open and Compression Stop

PARTS LIST

PAGE NO. REV.
10 A
DATE: 4/1/04



ITEM	PART No.	DESCRIPTION	QTY	COMMENTS
1	* 63-3836	CPSH arm assembly	1	
2	* 63-0641	Main arm	1	
3	* 63-0700	Pivot	1	
4	* 01-9145	Screw (pivot)	1	
5	* 63-0516	Bumper holder	1	
6	63-3493	Bumper	1	Included in item (9)
7	63-3788	Insert	1	
8	63-0191	Spacer	1	
9	* 63-3487	CPSH arm mounting screw pack (not shown)	1	
10	* 01-2300	Wood screw #12 x 1-1/2" (not shown)	4	
11	* 01-2303	Wood screw #12 x 2-1/4" (not shown)	3	

* Finish required: Powder coat finishes – EB, EN, ED, EP, EAB
Plated finishes – 3, 4, 9, 10, 10B, 26, 26D