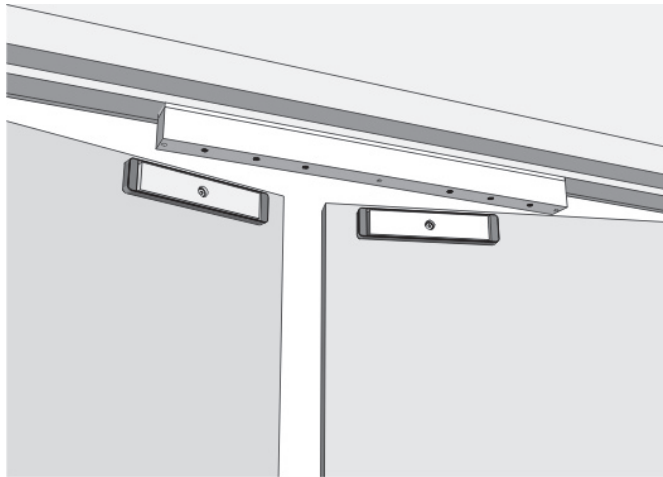


INSTALLATION DESCRIPTION



The Series 2250 is a 1200 pound holding force electromagnetic lock designed to retro-fit a Locknetics 352 on a double outswing door. The lock requires both installation procedures as described herein and in the separate wiring instructions included.

The illustration to the left shows a typical installation on a double outswing door.

HANDLING

Care must be taken that the lock face and armature face are kept free of dirt, rust, paint, or any other obstruction which may interfere with the lock and armature making good contact. These faces may be cleaned with a non-abrasive pad and wiped with an oil dampened cloth.

MECHANICAL INSTALLATION

Familiarize yourself with the door and frame conditions. The lock must mount rigidly to the face of the door frame header. The door mounted armature is supplied with an adjustable mounting bracket and hardware that allows it to pivot slightly to compensate for reasonable misalignment.

NOTE: If this lock is supplied with the DSM option be certain that disc magnets are present inside the armature housing.

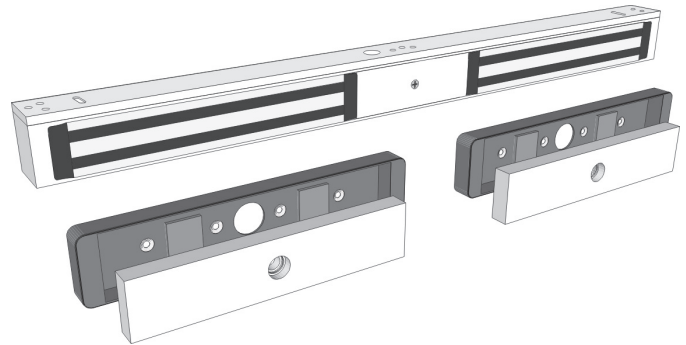
ELECTRICAL INSTALLATION

After mechanical installation is complete the lock needs to be wired to a 12 or 24 VDC/VAC power source. Once low voltage power is supplied the unit is fully operational. All other wiring is for selected options. Refer to the separate wiring instructions included for further information.

TABLE OF CONTENTS

General Information.....	1
Bill Of Materials.....	2
Using The Template.....	3
Mounting The Armature.....	4
Mounting The Lock.....	5
Exploded Parts View.....	6
Exploded Parts Legend.....	7
Support.....	8

MODEL #2250 BILL OF MATERIALS



- (1) 2250 LOCK ASSEMBLY
- (2) ARMATURE
- (1) ARMATURE HOUSING
- (1) HARDWARE KIT
- (1) MOUNTING TEMPLATE
- (1) INSTALLATION MANUAL
- (1) WIRING MANUAL

REQUIRED TOOLS

- (1) Electric Drill
- (1) #2 Phillips Screw Driver
- (1) Soft Faced Mallet
- (1) Hammer
- (1) Center Punch
- (1) Pencil & Tape
- Drill Bits: 1/8", 17/64", 11/32", 1/2", 9/16", 21/32"

HARDWARE KIT CONTENTS (P/N 301498) x2

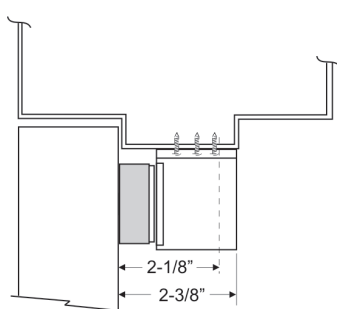
QTY.	ITEM	DESCRIPTION
6	BASEPLATE MOUNTING SCREWS	#10x1" PHILLIPS HEAD SHEET METALSCREW
6	BASEPLATE MOUNTING SCREWS	#10-24x1/2" PHILLIPS PAN HEAD MACHINE SCREW
1	ARMATURE MOUNTING SCREWS	5/16-18x2" HEX FLATHEAD MACHINE SCREW TURNED
4	ARMATURE HOUSING SCREWS	#8x1" PHILLIPS FLATHEAD SHEET METALSCREW
4	ARMATURE HOUSING SCREWS	8-32x3/8" PHILIPS FLATHEAD MACHINE SCREW
1	ARMATURE SPACER	3/8" Dx0.235"L SPACER
1	STEEL WASHER	1/4" FLATZINC WASHER
1	DOOR SPACER	5/8" Dx1-11/16" L SPACER
1	SEX NUT	5/16"-18 SEX NUT
1	HEX KEY	10/32" HEX KEY

NOTE: For further parts clarification refer to the Exploded Parts View on page 6 or consult factory.

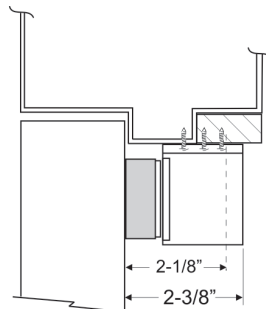
MOUNTING CONSIDERATIONS

Inspect the door frame and determine if an angle bracket, filler or spacer plate will be required for installation.

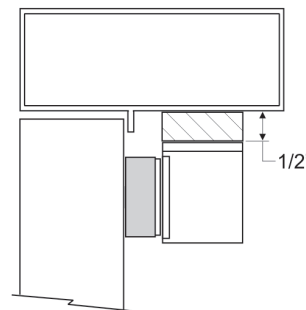
NOTE: Remember to leave space so that the door hits the stop *before* the maglock, to prevent loosening over time.



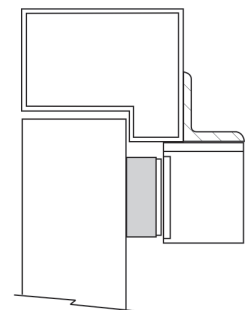
**NORMAL
MOUNTING**



**FILLER PLATE
REQUIRED***



**SPACER PLATE
REQUIRED***

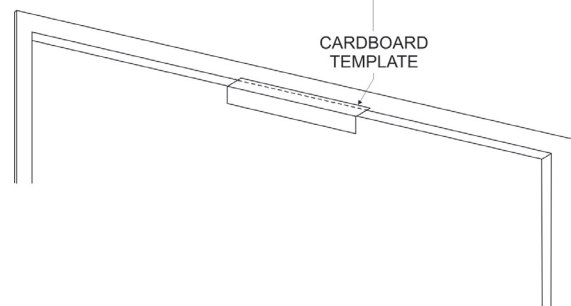
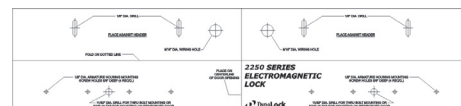


**ANGLE BRACKET
REQUIRED***

*See Price Book or visit www.dynalock.com - 4000 Series Mounting Accessories

USING THE TEMPLATE

1. Fold the template on the dotted line to form a 90 degree angle. Scoring the template with a straight edge and a screwdriver will make it fold easier.
2. With the doors in the closed and latched position, from the push side, place the template against the header and door, centered on the frame.
3. Transfer all hole locations to both the doors and head with a center punch, then remove the template.
4. Referring to the template drill two 1/8" dia. lock mounting holes (or tap for 10-24) and one or two 9/16" dia. wiring hole(s) in the top of the frame, at the transferred locations. Remaining mounting holes will be drilled after lock is first mounted and adjusted (page 5).
5. Drill remaining transferred holes in the face of the doors to accept the armatures, following the instructions on page 4 for specific door type.

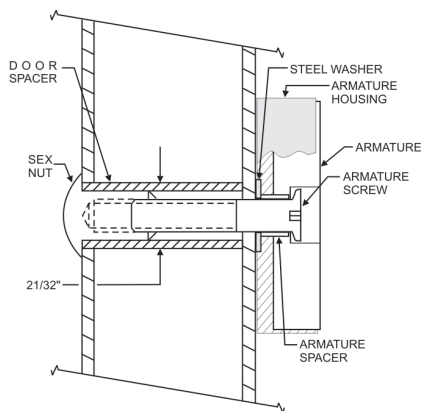


MOUNTING THE ARMATURE

From the three illustrations below select the one that resembles your door type and follow the instructions for drilling the Armature mounting screw hole. (See Template)

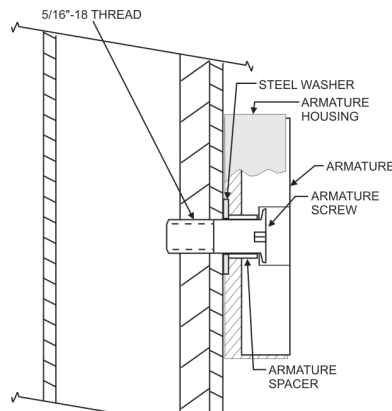
Drill four (4) 1/8" dia. holes for #8 x 1" sheet metal screws or drill and tap for #8-32 x 3/8" machine screws (See Template).

GLASS AND ALUMINUM OR HOLLOW METAL DOOR



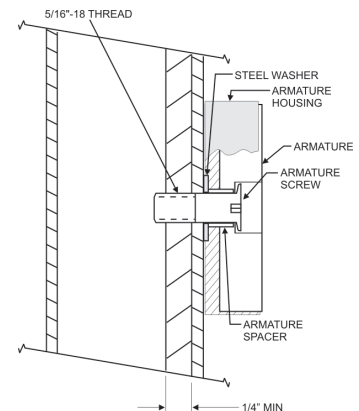
Drill an 11/32" diameter hole through the door. From the sex nut side only enlarge the hole to 21/32" diameter.

SOLID CORE DOOR



Drill an 11/32" diameter hole through the door. From the sex nut side drill 1/2" diameter hole to 1" depth.

REINFORCED DOOR



Drill a 17/64" diameter hole and tap for 5/16-18 thread

Mount the Armature Housing to the door using four (4) #8 x 1" sheet metal screws or #8-32 x 3/8" machine screws.

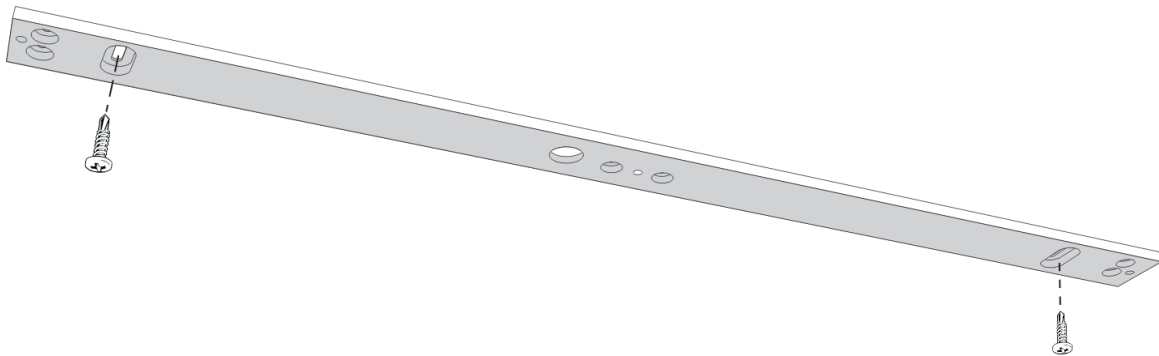
Place the Armature inside the Armature Housing and secure using the proper hardware, according to the above illustrations. Firmly tighten the Armature mounting screw with a 3/16" hex wrench.

Failure to properly secure the Armature to the door could result in serious injury or possible security breach.

MOUNTING THE LOCK

1. Mount the Baseplate to the header.

Separate the baseplate from the lock housing with a 3/16" Hex wrench. Place the Baseplate against the header with the counter sunk slots visible. Attach the baseplate to the header at both slotted locations using the holes drilled on page 3. Tighten the screws just snug enough to allow for final adjustment.



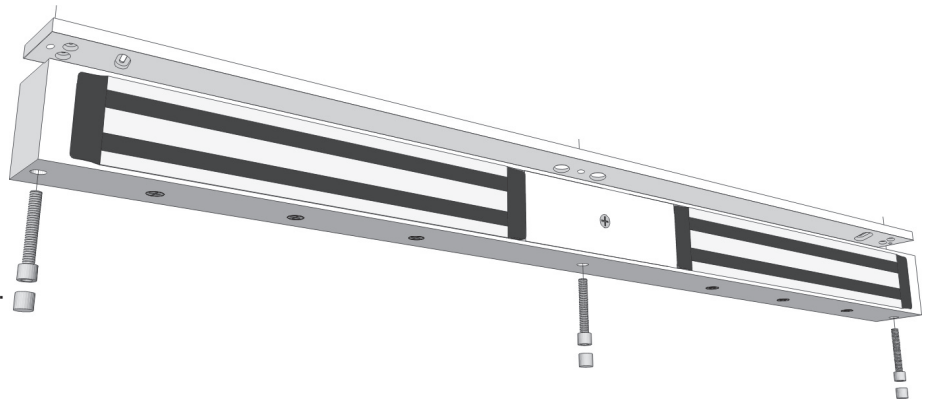
1. Align the Lock and Armature.

 Close and latch the doors. Temporarily mount the lock to the baseplate and verify:

- a) the lock face and armature are making full contact for the entire length of the armature, for both sides
- b) the armature is horizontally centered on the lock face, for both sides.
- c) the doors hit the frame just before the maglock (not slamming on the lock)

If any adjustment is required, gently tap the baseplate with a soft mallet until full contact is achieved. Mark two baseplate corner locations lightly with a pencil for reference. Remove the lock from the baseplate and tighten both adjustment screws. Drive the remaining screws into the header using the baseplate as a physical template. Screw heads must not project above the baseplate.

3. Attach the lock to the baseplate.

 With the 3/16" Hex wrench, permanently fasten the lock to the baseplate with the three 1/4"-20 x 1-1/4" machine screws removed earlier.

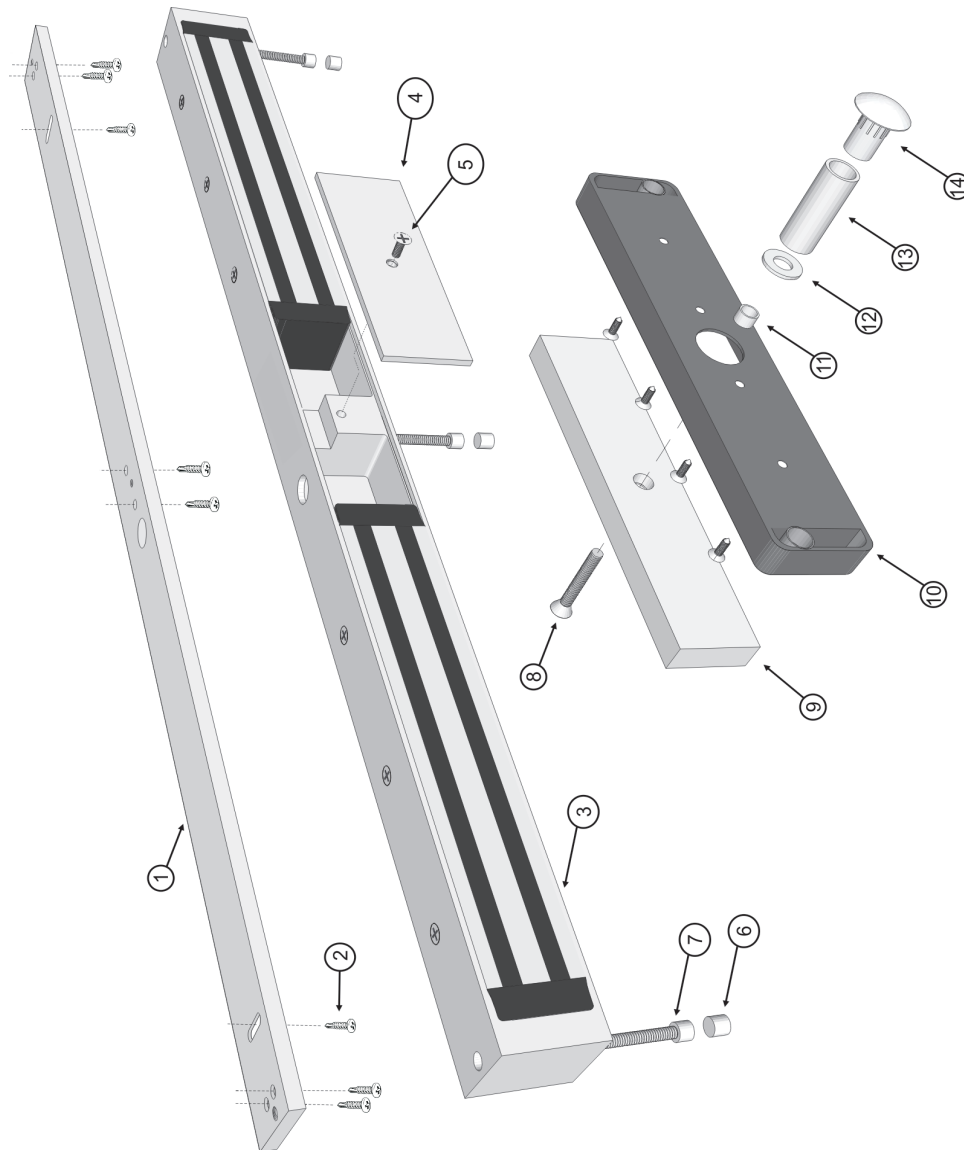
4. Install the anti-tamper plugs.

 Gently tap the three Anti-Tamper Plugs into the Mounting Screw Holes using a soft faced mallet.

5. Complete wiring.

 See separate wiring instructions.

EXPLODED PARTS VIEW



**ARMATURE
 ASSEMBLY
 (TYPICAL)**

LEGEND ON NEXT PAGE



705 Emmett Street • Bristol, CT 06010
 1-877-DynaLock • www.dynalock.com

**MODEL 2250 DOUBLE OUTSWING
 ELECTROMAGNETIC LOCK**

INSTALLATION INSTRUCTIONS

PARTS LEGEND

ITEM	DESCRIPTION	PART #
1	MOUNTING BASEPLATE	301499
2	#10 x 1" SELF TAPPING SCREW	*****
3	HOUSING	301500
4	ACCESS COVER	301502
5	8-32 x 3/8" MACHINE SCREW	*****
6	ANTI-TAMPER PLUG	*****
7	LOCK MOUNTING BOLT	300603
8	5/16"-18 x 2" ARM. SCREW TURNED	*****
9	ARMATURE	300968
10	ARMATURE HOUSING	301333
11	ARMATURE SPACER	*****
12	ZINC WASHER	*****
13	DOOR SPACER	*****
14	SEX NUT	*****

**PLEASE DELIVER THIS MANUAL
TO THE END-USER UPON COMPLETION
OF THE INSTALLATION**

**FOR PRODUCT SUPPORT AND PARTS
ORDERING INFORMATION CONTACT:**

DynaLock Corp.
705 Emmett Street
Bristol, CT 06010
Bus: (877) 396-2562 Toll-Free
(860) 582-4761
Fax: (860) 585-0338

DYNALOCK ON THE INTERNET:

E-mail: info@dynalock.com
Website: www.dynalock.com



NYC Mea #23-92-E

GWXT Auxiliary Lock