

# MARKAR AND PEMKO CATALOG

**PEMKO**  
**ASSA ABLOY**

Experience a safer  
and more open world

<b>General Information:</b>	<b>2</b>	Acoustic Thresholds	104
About the Pemko Product Line	8	Threshold with Flexible Joint	104
The West Coast Stocking Program	9	Concealed Fastener Thresholds	105
General Information & Terms	10	Eco-V™ Thresholds	106
Materials & Finishes Information	12	Adjustable-Width Eco-V™ Threshold	107
Product Testing / Classification Symbols	13	Heavy Duty Latching Panic Exit Saddle Threshold	108
Barrier-Free Systems	15	Heavy Duty Thresholds	108
ANSI/BHMA Standards	16	Modular Heavy Duty Thresholds	109
<b>Markar Continuous Pin and Barrel Hinges:</b>	<b>17</b>	Floor Plates/Safety Treads	110
General Information	18	Aluminum Plates	111
Hinge Finishes	20	Carpet Separators	112
Hinge Numbering System and Standard Lengths	21	Floor Plate Supports/Accessories and Elevators	113
Continuous Hinge Modifications	22	Threshold Stop Strips	114
3500 Series Stainless Steel Pin and Barrel Security Hinges	25	Floor Closer Thresholds/Cover Plate Assemblies	115
600 Series Stainless Steel Pin and Barrel Hinges	29	ANSI/BHMA A156.21 Thresholds - Cross Reference	116
300 Series Stainless Steel Pin and Barrel Hinges	30	<b>Modular Ramps:</b>	<b>119</b>
300 Series Stainless Steel Edge Guards	45	Ramp Ordering Information	120
200 Series Carbon Steel Pin and Barrel Hinges	48	Modular Ramp Threshold Assemblies - Flush Applications	121
100 Series Aluminum Pin and Barrel Continuous Hinges	50	Modular Ramp Threshold Assemblies - Offset (7" Top Plate)	122
900 Series Toilet Partition Hinges	52	Modular Ramp Threshold Assemblies - Offset (3½" Top Plate)	123
400 Series Toilet Partition Hinges	54	Modular Ramp Threshold Components	124
Pivots	56	Modular Ramp Threshold Assemblies - Variables	125
Flat Astragals	57	Risers for Modular Ramps	125
Fasteners and Fastener Packs	59	Miter Returns For All Modular Ramp Thresholds	126
Tools, Parts, and Accessories	63	Barrier-Free Ramp Thresholds	127
Custom Lengths	64	Fire Retardant and Styrene Butadiene Rubber Ramp Thresholds	128
<b>PemkoHinge® Geared Continuous Hinges:</b>	<b>65</b>	Recycled Rubber Ramp Assembly	129
What is PemkoHinge®?	66	<b>Door Bottoms:</b>	<b>131</b>
Ordering Chart	66	Automatic Door Bottoms	132
BHMA Certification Program	67	Residential Automatic Door Bottoms	136
Hospital Tip	67	End Plates for Automatic Door Bottoms	137
Cycle Requirements and Weight Bearing	67	Excessive Gap Door Bottom Solutions	138
UL Fire Labeling	67	Excessive Gap Door Top Solutions	138
Options for Electrically Modified Continuous Geared Hinges	68	Eco-V™ Door Shoes	138
X-Series PemkoHinge®	69	Door Shoes	139
Offset Hinges	70	Thermally Broken Door Shoe	141
Full Mortise Hinges	71	Door Sweeps for Hollow Metal Doors	142
Special Full Mortise Hinges	72	Fabrication Options for Door Shoes	142
Kawneer Full Mortise Hinges	73	Door Bottom Sweeps	143
Raised Gear Hinge	73	Stainless Steel Door Bottom Sweeps	147
Full Mortise Safety Hinges	74	Specialty Door Bottoms	148
Wide Throw Full Mortise Hinges	75	Door Top Weatherstrip	148
Wide Throw Half Surface Hinges	75	<b>Astragals &amp; Meeting Stiles:</b>	<b>149</b>
Half Surface Hinges	76	Astragal and Meeting Stile Gasketing - Split Astragals	150
Half Mortise Hinges	76	Split Astragals with Snap Covers - Concealed Fasteners	152
Full Surface Hinges	77	Meeting Stile Gasketing	152
Full Surface Center Pivot Hinges	77	Meeting Stile Gasketing/Excessive Gap Meeting Stile	153
Full Surface Balanced Pivot Hinge	77	Adhesive Astragal/Meeting Stile Seals	154
Full Mortise Residential Hinges	78	Adjustable Astragals	154
Firepins™	79	"T" and Overlapping Astragals	155
Double Swing Hinge	80	Adhesive-Backed Mullion Gasketing	156
Emergency Release Stop	80	Adhesive-Backed Astragal Seal	156
1000 Series Aluminum Double Swing Hinge	81	Offset Security Bar	156
Power Transfer Units	82	Locking Astragals	157
<b>Commercial Thresholds:</b>	<b>83</b>	<b>Brush Gasketing:</b>	<b>159</b>
Saddle Thresholds	84	180° Aluminum Retainers	160
Half Saddle Thresholds	89	180° Concealed Fastener Retainers	161
Offset Saddles and Offset Half Saddles	91	90° Aluminum Retainers	162
Stainless Steel Saddles	92	45° Concealed Fastener Retainers	162
Stainless Steel Half Saddles and Offset Saddles	92	Mortise Retainers	164
Thermal Break Saddles	93	Aluminum Retainer with Rain Drip	164
Stainless Steel Thermal Break Threshold	96	Oak Retainers	164
Latching Panic Exit Saddles	97	Meeting Stiles	165
Latching Panic Exit Saddles - Thermal Break	101		

<b>Perimeter Gasketing:</b>	<b>166</b>		
Standard Perimeter Gasketing	167	TBS200A-SW Series	221
Perimeter Gasket Solutions for Sliding Doors	170	TBS250A-OH Series	222
Stainless Steel Perimeter Gasketing	171	TBS250A-SW Series	223
Adjustable Jamb Gasketing	172	H600S-OH Series	224
Heavy Duty Interlock Perimeter Gasketing	172	H600S-SW Series	225
Heavy Duty Perimeter Gasketing - Head Section	173	H800S-OH Series	226
Heavy Duty Perimeter Gasketing - Standard Jamb	174	H800S-SW Series	227
Perimeter Gasket Jamb Brackets	174	H1100A-OH Series	228
Snap Cover Perimeter Gasketing With Concealed Fasteners	175	H1100A-SW Series	229
Kerf-In Weatherstrip	176	Husky Sliding Glass Series	230
Magnetic Weatherstrip	177	Pocket Frame Kit	231
Adhesive Perimeter Gasketing	177	Folding 100 Series	232
MicroShield® Antimicrobial Adhesive Gasketing	178	Pacer Interior End Fold Series	233
Excessive Gap Perimeter Solution	179	Flexirol Interior End Fold Series	234
Interlock Weatherstrip For Wood Windows	179	Stainless Steel Sliding Track Hardware System for Wood Doors	235
Interlock Weatherstrip For Wood Doors	180	Stainless Steel Sliding Track Hardware System for Glass Doors	244
Cushion/Spring Weatherstrip	180	Builders Series Flat Track for Wood Doors	246
Fasteners for Cushion, Spring and Interlock Weatherstrip	180	Designer Series Flat Track for Wood Doors	248
Privacy Seals for Sliding Doors	181	SIM 150 - 2 Door	250
<b>Adhesive Gasketing:</b>	<b>182</b>	SIM 150 - 3 Door	251
SiliconSeal Adhesive-Backed Fire/Smoke Gasketing	183	Cascading Door with Sample Configurations	252
PemkoPrene® Adhesive-Backed Fire/Smoke Gasketing	184	PemkoMatic™ Sliding Door Operator	253
SiliconSeal Adhesive-Backed Meeting Stile Gasketing	184	SDL Privacy Barn Door Lock	254
MicroShield® Antimicrobial Gasketing	185	Options and Accessories	255
Hot Smoke Seal/SiliconSeal Combination Fire/Smoke Sealing	185	Privacy Seal Sets	255
<b>Hospitality Products:</b>	<b>186</b>	Soft Close Systems	256
Privacy Door Latch, Bracket and Decals	187	<b>Residential Thresholds:</b>	<b>259</b>
SiliconSeal Adhesive Gasketing	188	Interlocking Thresholds and Caps	260
Automatic Door Bottoms: Acoustic	189	Interlocking Thresholds - Water Return	261
Door Shoes	189	Interlocking Hooks	261
Acoustic Adhesive Corner Pads	189	Adjustable Eco-V™ Top Thresholds	262
Automatic Door Bottoms	190	Eco-V™ Top Thresholds	262
Eco-V™ Thresholds	191	Residential Saddles	262
Adjustable-Width Eco-V™ Threshold	192	Bumper Thresholds for Outswing Doors	263
Stainless Steel Sliding Track Hardware System	193	Squareback Thresholds	263
Cascading Door with Sample Configurations	194	Oak Thresholds	264
SHS80 System	195	Sill Nosings	264
Bypass Track Series	196	Adjustable Aluminum Top Sills	265
<b>Acoustic Products:</b>	<b>197</b>	Adjustable Oak Top Sills	266
Basic Acoustic Information	198	Outswing Adjustable Oak Top Sills	267
Acoustic Seal Sets	200	Residential All-Aluminum Adjustable Sills	267
Acoustic Thresholds	201	Fixed Eco-V™ Top Residential Sills	268
Saddle Thresholds	202	Residential All-Aluminum Fixed Sills	268
Automatic Door Bottoms - Acoustic	203	Outswing Fixed Bumper Sills	269
Door Shoes	203	Extenders For All Residential Sills	269
Acoustic Adhesive Corner Pads	203	<b>Floor Molding, Trim, &amp; Handyshapes™:</b>	<b>271</b>
Standard Perimeter Gasketing	204	Carpet Bar and Seam Binding	272
SiliconSeal Adhesive-Backed Gasketing	204	Stair Nosing	272
<b>Pemko Sliding &amp; Folding Hardware:</b>	<b>205</b>	Oak Seam Binding, Floor Edging, and Carpet Trim	272
H180A Series	206	<b>Weatherization Products:</b>	<b>273</b>
SHS80 Series	207	Foam Tape	274
Sliding 200 Series	208	Neoprene Tape	274
Side Wall Track (SWT) System	209	Miscellaneous Tape	275
Bypass Track Series	212	Spring Bronze Weatherstrip	275
SIM200A Series	213	Garage Door Weatherstrip	275
LP200 Series	214	<b>Fire Glazing Tape:</b>	<b>277</b>
Sirocco Series	215	Fire Glazing Tape	278
H300S-OH Series	216	Fire Glazing Tape Applications	279
H300S-SW Series	217	<b>Door &amp; Frame Accessories:</b>	<b>285</b>
H440A-OH Series	218	Glazing Bead/Spreader Bar	286
H440A-SW Series	219	Reinforcements - Fillers	286
TBS200A-OH Series	220	Reinforcements - Misc.	287

Product	Index	Product	Index	Product	Index	Product	Index	Product	Index
1A/290.....	217	70D-100.....	180	149.....	263	217.....	139	256.....	90
1A/290/EC.....	216	70E-99.....	180	151.....	84	218.....	262	256x6.....	88
1A/301.....	225	72.....	238	151.....	202	218OAK.....	264	256x6_FG.....	93
1A/301/EC.....	224	73.....	180	154.....	86	219.....	262	257.....	127
1A/550.....	229	74.....	180	154.....	202	219OAK.....	264	257x259.....	115
1AX/290.....	217	75.....	180	154SS.....	92	221.....	141	257x259.....	127
1AX/301.....	225	82.....	239	157.....	91	222.....	142	259.....	127
1AX/301.....	227	89/2N.....	216	158.....	91	223.....	140	270.....	84
1B.....	219	92.....	240	158SS.....	92	227.....	110	271.....	84
1BX.....	219	94A.....	206	159.....	99	228.....	110	272.....	84
2.....	13	94A.....	216	166.....	86	229.....	110	273.....	89
2P.....	179	94A.....	232	169.....	86	230.....	112	273x3_FG.....	93
3A/290.....	216	94A.....	255	170.....	86	234.....	139	273x4_FG.....	93
3A/301.....	224	101.....	260	171.....	87	236.....	112	273x224_FG.....	102
3A/301.....	226	102N.....	206	172.....	87	249.....	262	273x292_FGPK.....	103
3AX/290.....	216	102N.....	216	173.....	84	250.....	262	274.....	89
3AX/301.....	224	102N.....	235	174.....	112	252.....	90	274x4.....	85
3AX/301.....	226	102N.....	246	175.....	86	252SS.....	92	274x4_FG.....	93
4C.....	179	102N.....	255	175.....	202	252x2_FG.....	94	274x4x270.....	115
4P.....	179	102WA.....	206	175SS.....	92	252x2SSFG.....	96	274x4x271.....	115
8-12/SN.....	230	102WA.....	208	176.....	87	252x3_FG.....	94	274x224_FG.....	102
10.....	10	102WA.....	209	176.....	115	252x3SSFG.....	96	274x292_FGPK.....	103
10.....	179	102WA.....	213	176x170.....	115	252x4SSFG.....	96	276.....	85
12.....	244	102WA.....	217	176x171.....	115	252x226.....	100	276.....	115
14/1.....	111	102WA.....	219	177.....	99	252x226_FG.....	101	276x270.....	115
18/1.....	111	102WA.....	227	179.....	98	253.....	90	276x271.....	115
21/550/P.....	234	102WA.....	255	181.....	99	253SS.....	92	277.....	98
21BO/4.....	233	102WN.....	206	182.....	91	253x3_FG.....	94	278.....	89
21B/P.....	233	102WN.....	213	183.....	113	253x3SS FG.....	96	278x224_FG.....	102
21N/94.....	233	102WN.....	217	184.....	114	253x4_FG.....	94	278x292_FGPK.....	103
21R/94.....	234	102WN.....	219	185.....	100	253x4SS FG.....	96	279.....	89
30.....	8	102WN.....	225	190.....	110	253x6_FG.....	95	279x224_FG.....	102
30.....	180	102WN.....	227	191.....	110	253x226_FG.....	101	279x292_FGPK.....	103
32.....	245	102WN.....	246	192.....	110	254.....	90	280.....	206
41M.....	180	106HF/94.....	232	193.....	110	254SS.....	92	280.....	213
43.....	180	106N/94.....	255	193x2/195.....	115	254x4.....	88	280.....	232
52.....	11	106R/94.....	206	195.....	113	254x4_FG.....	95	280_SWF.....	209
56.....	144	106R/94.....	216	196.....	113	254x4SS FG.....	96	280_SWT.....	209
57.....	144	106R/94.....	255	200.....	113	254x4x170.....	115	280_SWTKIT.....	209
57A/N.....	226	108.....	260	206.....	262	254x4x171.....	115	281.....	207
57A/S.....	224	110.....	260	208.....	262	254x5_FG.....	95	281.....	213
57B.....	218	111.....	241	209.....	139	254x226.....	100	281.....	230
57K/N.....	216	114.....	260	210.....	139	254x226_FG.....	101	281.....	232
61.....	261	120.....	260	211.....	139	255.....	90	281.....	255
62.....	235	136.....	261	212.....	262	255x5.....	88	282.....	113
66.....	261	142.....	261	215.....	139	255x5_FG.....	94	282HD.....	232
68.....	148	145.....	261	216.....	139	255x 226.....	100	283.....	113
70C-100.....	180	146.....	261	216_FG.....	141	255x226_FG.....	101	283.....	232



Experience a safer and more open world

Product	Index	Product	Index	Product	Index	Product	Index	Product	Index
284D	230	322	172	601H	194	2010	98	2750	85
285	169	324	264	601H	207	2051	263	2755	89
287R1-KIT	206	325XGSS	138	601H	213	2052	263	2802	194
287R1-KIT	208	326	264	601H	230	2053	263	2802	212
287R1-KIT	209	327	264	601H	252	2054	263	2802	252
287R1-KIT	212	330	169	601H	255	2113	140	2802BT	212
289B	232	331	180	601P	218	2113	189	2802BT	255
289T	232	332	168	650	105	2120	272	2803	250
290	114	335	172	651	105	2132	272	2812	194
290	174	336	172	671	105	2132W	272	2812	212
290	216	344	148	766	91	2134	272	2812	252
294	170	345	144	766x3_FG	95	2170	138	2812	255
296	169	345	145	950	170	2173	140	2815_M	177
297	150	345	164	950	181	2173	189	2891	173
297	167	346	148	971A	206	2211	141	2892	173
300	153	347	148	971A	213	2212	141	2893	173
301	224	350	172	971A	216	2212	203	2902	174
303	150	351	154	971A	218	2219	272	2903	174
303	167	354	154	971A	224	2219W	272	3151	143
303	204	355	155	971A	226	2221	142	3151	169
305	150	356	155	971A	228	2266	110	3151SS	147
305	168	357	155	971A	232	2286	110	3261	264
305SS	150	359	155	971A	255	2343	140	3452	144
305SS	171	368	143	987	11	2343	189	3452	145
306	170	369	153	1075C	206	2364	112	3452	164
307	144	371	153	1076	194	2500W	264	3493	156
308	144	372	153	1076	252	2500W	272	3494	156
309	170	375	155	1547	86	2548	87	3495	158
310	151	375	168	1547	202	2548	115	3496	158
311CIN	151	379	172	1710	87	2548x170	115	3572	156
312	169	394	170	1715	108	2548x171	115	3692	140
312	204	394	181	1716	109	2549	88	3692	189
313	148	403/2	233	1717	109	2550	88	3692	203
313	152	405	136	1718	109	2555	90	4131	134
314	148	411	135	1719	109	2565	90	4131	190
314	152	411	190	1842	114	2705	108	4301	134
315	143	412	134	1855	99	2715	108	5025	164
315	169	420	135	1951	112	2716	108	5041	164
315	204	434	135	2001	97	2727	91	5061	164
315SS	147	550A	228	2002	97	2746	89	5100	164
315SS	171	550A	234	2005	97	2746x6	85	5110	156
316	151	556/21	234	2006	97	2746x6_FG	93	8451	269
316	167	556/57	228	2006STC	104	2746x292_FGPK	103	8452	269
317	148	566	91	2006STC_	201	2748	85	18041	151
319	168	566x3_FG	95	2008	104	2748	115	18041	161
319SS	171	573x5_FG	104	2008	201	2748x270	115	18041	165
321	143	600A	218	2009	98	2748x271	115	18050	161
321SS	147	600A	233	2009	201	2749	85	18061	145

800-824-3018 | [www.pemko.com](http://www.pemko.com)

Check the web site for the up-to-date catalog

Copyright © 2015-2025, ASSA ABLOY Accessories and Door Controls Group, Inc., an ASSA ABLOY Group company. All rights reserved.  
 Reproduction in whole or in part without the express written permission of ASSA ABLOY Accessories and Door Controls Group, Inc. is prohibited.



Experience a safer  
and more open world

Product	Index	Product	Index	Product	Index	Product	Index	Product	Index
18061.....	151	90100_NBE.....	146	EV2320.....	191	FS102.....	51	HG329.....	44
18061.....	161	90137.....	162	EV2322.....	106	FS301.....	33	HG3505.....	28
18061.....	165	94518.....	265	EV2322.....	191	FS302.....	34	HH3/290.....	216
18062.....	161	94518_W.....	266	EV2325.....	106	FS402.....	55	HH3/301.....	224
18062W.....	164	95518.....	265	EV2325.....	191	FS902.....	53	HM.....	76
18100.....	145	95518_W.....	266	EV2326.....	106	FS910.....	53	HM304.....	36
18100.....	161	293100.....	161	EV2326.....	191	FS3501.....	26	HS.....	76
18100_NBE.....	146	293100_NB.....	145	EXT2.....	269	FS3502.....	27	HS203.....	49
18100W.....	164	293100_NBE.....	146	EXT3.....	269	FS_CP.....	77	HS303.....	35
18137.....	145	293100_V.....	146	EXT3/4.....	269	FS/SC309.....	38	HSS20XGxS773.....	179
18137.....	160	ACP112.....	189	EZGAP™ XG10.....	179	G60 to G70.....	244	HSS1000.....	185
18175.....	160	ACP112.....	203	F134.....	206	GLASSGUIDE.....	244	HSS2000.....	185
18250.....	160	ADJ232V8.....	107	F134.....	212	GS2-20PK.....	286	HSS2000.....	283
18400.....	160	ADJ232V8.....	192	F134.....	250	GS3-20PK.....	286	HSS2000xS44.....	185
19125.....	111	ADJ232V14.....	107	F134.....	255	GS4-20PK.....	286	HSS2000xS88.....	184
29310.....	152	ADJ232V14.....	192	F160C.....	218	H180A.....	206	HSS7750.....	185
29310.....	175	ADJ232x2325V8.....	107	F160ECP.....	218	H200.....	208	HSS7850.....	185
29313.....	175	ADJ232x2325V8.....	192	F200C.....	219	H200.....	209	HS_SF.....	76
29324.....	152	AM88.....	178	F200ECP.....	219	H200PACK.....	208	K28_-SWEP.....	209
29324.....	161	AM88.....	185	FA68.....	57	H200PACK.....	209	K134EP.....	207
29324.....	165	B1923.....	56	FA70.....	57	H200PACK.....	255	K134EP.....	213
29326.....	152	BAR.....	235	FA80.....	57	H222R1.....	194	K134EP.....	255
29326.....	161	BKT050.....	174	FG3000S45.....	278	H222R1.....	206	K411.....	137
29326.....	165	BKT075.....	174	FG3000S45.....	279	H222R1.....	231	K412.....	137
29326.....	175	BKT1532.....	174	FG3000S45.....	280	H222R1.....	252	K420.....	137
29344.....	162	BRACKET2.....	235	FG3000S45.....	281	H300S-OH.....	216	K435.....	137
29344.....	175	CB1-50PK.....	286	FG3000S45.....	284	H300S-SW.....	217	K435-PREM.....	137
29346.....	162	CR2-5PK.....	287	FG3000S90.....	278	H440A-OH.....	218	K436.....	137
29346.....	175	DSH.....	80	FG3000S90.....	282	H440A-SW.....	219	K436SM.....	137
29394.....	170	DSH1000.....	81	FG3000S90.....	283	H600S-OH.....	224	K1077_-SWEP.....	206
29394.....	181	EG308.....	45	FIF2/275A.....	234	H600S-SW.....	225	K4133.....	137
45041.....	163	EGA305xG.....	138	FM.....	71	H800S-OH.....	226	K4301.....	137
45061.....	163	EGC308.....	46	FM100.....	50	H800S-SW.....	227	K_FM.....	73
45062.....	163	EGT308.....	47	FM200.....	48	H1100A-OH.....	228	LH100.....	214
45100.....	163	EL-CEPT.....	82	FM300.....	30	H1100A-SW.....	229	LP200A.....	214
45137.....	163	EL-EPT.....	82	FM300WT.....	31	HBP200A.....	196	MAG349.....	177
45175.....	163	EL-EPTL.....	82	FM300WT.....	32	HBP200A.....	212	N84518.....	268
45250.....	163	EL-EPT-SC.....	82	FM400.....	54	HF2/100.....	232	N85518.....	268
45400.....	163	EPD3.....	206	FM600.....	29	HF2/100PACK.....	232	NL1678.....	180
74518.....	267	EPD3.....	212	FM900.....	52	HF2/100PACK.....	255	NL1734CPXE_.....	180
75518.....	267	EPD3.....	235	FM3500.....	25	HF3-25PK.....	286	NL13516.....	180
84514.....	268	EPD3.....	246	FM_RG.....	73	HF4/100.....	232	OS95518.....	267
85514.....	268	EPD3.....	250	FM_SF.....	74	HG305.....	37	OS_FM.....	70
90041.....	162	ERS.....	80	FM_SLF.....	71	HG310.....	39	OS_HS.....	70
90062.....	145	EV80.....	138	FM_SLF138.....	74	HG311.....	40	P50.....	177
90062.....	162	EV232.....	106	FM_SLI.....	71	HG315.....	41	P51B17.....	180
90100.....	145	EV232.....	191	FM_SLISF.....	74	HG323.....	42	P51B17.....	275
90100.....	162	EV2320.....	106	FS.....	77	HG326.....	43	P240.....	274



Experience a safer and more open world

800-824-3018 | [www.pemko.com](http://www.pemko.com)  
Check the web site for the up-to-date catalog

Copyright © 2015-2025, ASSA ABLOY Accessories and Door Controls Group, Inc., an ASSA ABLOY Group company. All rights reserved. Reproduction in whole or in part without the express written permission of ASSA ABLOY Accessories and Door Controls Group, Inc. is prohibited.

Product	Index	Product	Index	Product	Index	Product	Index	Product	Index
P241	274	PFAS100	231	R10S	122	S44	183	SIM150-LOCKKIT	250
P241-30	274	PFBG-4	231	R10SMR	122	S44	188	SIM200A	213
P242	274	PFBG-4	255	R10SS	123	S44	204	SIRLH/SIRRH	215
P243	274	PFBG-8	231	R10SSMR	123	S52	176	SOFT CLOSE	256
P244	274	PFBG-8	255	R2.25F	121	S77	178	SPFM	72
P260	274	PFBS	231	R2.25FMR	121	S77	183	SPFM_SLF	72
P261	274	PFBS	255	R2F	121	S88	177	SPFM_SLI	72
P262	274	PFCDKIT	231	R2FMR	121	S88	183	STC411	133
P263	274	PFFC-8	231	R2OS	122	S88	188	STC411	189
P264	274	PFHB-1	231	R2OSMR	122	S104	176	STC411	203
P265	274	PFHB-2	231	R2OSS	123	S105	176	STC4131	133
P266	274	PFHS	231	R2OSSMR	123	S109	176	STC4131	189
P361V16	275	PFKIT-4	231	R.5F	121	S442	178	STC4131	203
P364R16	275	PFKIT-8	231	R.5FMR	121	S442	183	STOP1	238
P365V16	275	PIF2/165A	233	R.5OS	122	S442	188	STOP1	245
P380	275	PIF4/165A	233	R.5OSMR	122	S442	204	STOP1	255
P381	275	PK33	178	R.5OSS	123	S771	154	STOP3	235
P382	275	PK33	184	R.5OSSMR	123	S771	184	STOP3	237
P384	275	PK52	177	R.75F	121	S771	188	STOP3	243
P385	274	PK55	178	R.75FMR	121	S771x6	154	TBS200A-OH	220
P386	274	PK55	184	R.75OS	122	S771x6	178	TBS200A-SW	221
P387	275	PSLIDE	253	R.75OSMR	122	S771x6	184	TBS250A-OH	222
P388	275	PY900	170	R.75OSS	123	S771x6	188	TBS250A-SW	223
P390	274	Q102	176	R.75OSSMR	123	S772	154	W60	193
P391	274	Q103	176	RAMP 1	124	S772	184	W60 to W100	235
P392	274	Q106	176	RAMP 2	125	S772	188	WING 10_H	126
P393	274	Q107	176	RAMP 3	124	S773	177	WING 16_H	126
P394	274	Q108	176	RAMP 4	124	S773	183	WING EXT_H	126
P396	274	R1.5F	121	RAMP 5	124	S773	188	WT_FM	75
P397	274	R1.5FMR	121	RAMP 6	124	S773	204	WT_HS	75
P398	274	R1.5OS	122	RAMP 7	125	S776	178	X25M	69
P480	275	R1.5OSMR	122	RAMP 8	124	S776	183	XF	69
P484	275	R1.5OSS	123	RAMP 8	125	S776	188	XG90KIT	179
P490	274	R1.5OSSMR	123	RAMP 9	124	S1125	156	XG90SSME-KIT	153
P491	274	R1.25F	121	RAMP 10	124	SA1	136	XG900	179
P493	274	R1.25FMR	121	RAMP 11	124	SA2	136	XG2212	138
P497	274	R1.25OS	122	RAMP 12	124	SA3	136	XI	69
PDLAA	187	R1.25OSMR	122	RAMP 13	125	SA4	136	XK	69
PDLBRKT	187	R1.25OSS	123	RAMP 14	125	SBR1F	128	XM	69
PDL-D1	187	R1.25OSSMR	123	RR1	128	SBR1FMR	128		
PDL-D2	187	R1.75F	121	RR1.25FMR	129	SBR.5F	128		
PEMKOSFSET	181	R1.75FMR	121	RR2	128	SBR.5FMR	128		
PEMKOSTCSET	200	R1.75OS	122	RS138	78	SDL	254		
PF2x6KIT	231	R1.75OSMR	122	RS175	78	SHS80	195		
PF134 KIT	231	R1.75OSS	123	RVAR1/A	125	SHS80	207		
PF28200A	231	R1.75OSSMR	123	RVAR1/AK	125	SIM100	213		
PFAS	231	R1F	121	RVARIOSS	125	SIM150	250		
PFAS88	231	R1FMR	121	S44	177	SIM150-BOLTKIT	250		

800-824-3018 | [www.pemko.com](http://www.pemko.com)

Check the web site for the up-to-date catalog

Copyright © 2015-2025, ASSA ABLOY Accessories and Door Controls Group, Inc., an ASSA ABLOY Group company. All rights reserved.  
Reproduction in whole or in part without the express written permission of ASSA ABLOY Accessories and Door Controls Group, Inc. is prohibited.

**PEMCO**  
**ASSA ABLOY**

Experience a safer  
and more open world

## ABOUT THE PEMKO PRODUCT LINE

Since 1952, the Pemko name has been known as a key manufacturer in weatherstripping products. Over the years, as an ASSA ABLOY Group brand, we have expanded our product line into a full line of architectural door trim products to include thresholds, fire/smoke gaskets, door bottoms, perimeter gasketing, brush seals, astragals, continuous geared and stainless steel hinges, fire and life-safety products, lites and louvers, and sliding door hardware.

The Pemko product line offers offers sound-tested, smoke-labeled, fire-labeled, skid resistant, and ADA-compliant products, and aggressively pursues new product development to create solutions for new applications and requirements.

### Applications

- **Energy Efficiency:** These products make a complete energy efficient door solution – door bottoms, astragals, meeting stiles, brush gasketing, perimeter gasketing, and thermal barrier thresholds.
- **Smoke and Fire Gasketing:** Hot Smoke Seal™ is an intumescent fire life-safety product that meets UBC7-2 (proposed UL10C) positive pressure testing. Pemko S88 and S773 silicone seals are also smoke and fire rated gaskets that meet UBC7-2 positive pressure testing and are Category G gaskets for edge sealing systems for use with Category B doors.
- **Pemko Acoustic Solutions:** As a result of extensive acoustic testing, our gasketing systems are used on openings with STC Ratings from the low-30's and into the mid-50's. Acoustic seal sets have been assembled to better assist with determining an operable rating when a door's sealed-in-place rating is known. See pages 222 to 224 for more info.
- **Electrically Modified Pemko Hinges:** Continuous geared hinges are designed for commercial doors of all traffic levels and offer many benefits for your opening. All of our commercial-grade continuous geared hinges have the added option for electrical modification. Some of these options allow for electrical modifications to be made without removing the door from the opening.
- **ADA-compliant aluminum and rubber ramps** provide wheelchair access in public access doorways.
- **Sustainability:** Products are certified to GREENGUARD GOLD standards for low chemical emissions into indoor air during product usage.

All products in the Pemko line undergo rigorous testing to ensure that they meet or exceed the industry standards. Look for the logos next to the product drawings and see pages 12-13 for more information.



### LEED Certification Contribution

ASSA ABLOY can help to achieve prerequisites and accumulate points in several categories and credit areas for LEED. For further information, please call 1-800-824-3018 or refer to our website to view our prepared LEED statement.



*U.S. Green Building Council logo is a trademark owned by the U.S. Green Building Council and is used with permission.*

*ASSA ABLOY is a member of the USGBC and CaGBC*

### Sales & Support

Customer Service Representatives are available from 7am to 7pm Central time at 1-800-824-3018 or visit the website for the current catalogs, sell sheets, and the most up-to-date templates.

There are many items on the Pemko Quick Ship Program that ship within 48 hours. For the most up-to-date information, visit the Accessories WebShop at <https://accessories.assaabloy.com/en/accessories>. Customers with established Pemko accounts may request an account in WebShop through Pemko's Customer Service Representatives.

### Need a Sales Rep?

Pemko is represented by the ASSA ABLOY Door Security Solutions team. Contact your local ASSA ABLOY Door Security Solution Representative via e-mail by going to [www.assaabloydss.com](http://www.assaabloydss.com) and clicking on "Sales Support" or call 1-800-DSS-EZ4U (800-377-3948).

**Website:** [www.assaabloydooraccessories.us](http://www.assaabloydooraccessories.us)

**Facebook:** [www.facebook.com/ASSAABLOYARCHIT/](http://www.facebook.com/ASSAABLOYARCHIT/)

**Twitter:** @ASSAABLOYARCHIT

ASSA ABLOY has manufacturing and warehouse locations for the Pemko line in Memphis TN and Ventura CA. Each location offers a Will Call order pickup option for local customers. In Canada, we have a warehouse location in Toronto ON.

**PEMKO**  
**ASSA ABLOY**

Experience a safer  
and more open world

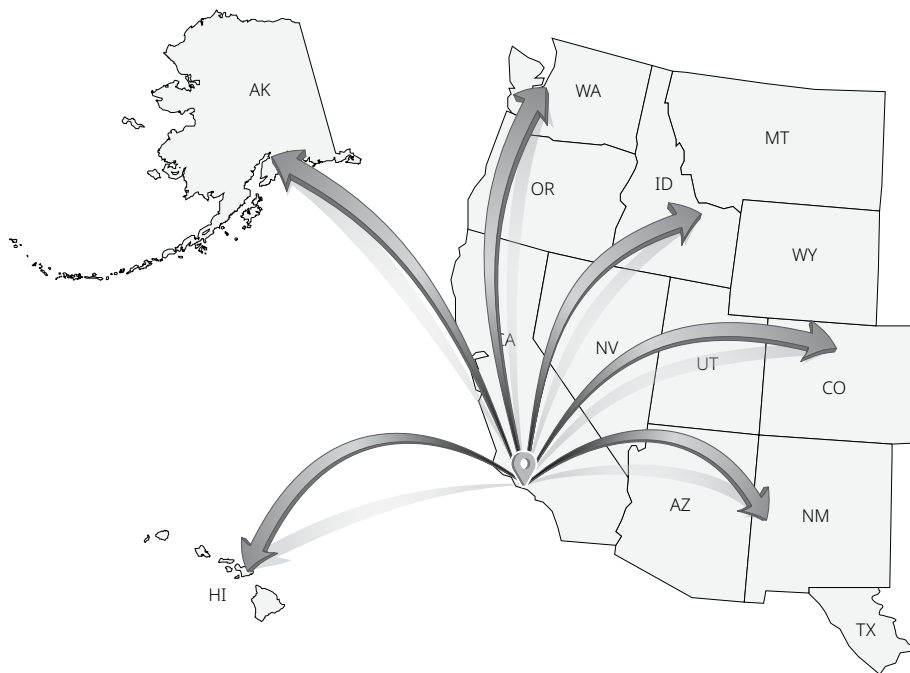
800-824-3018 | [www.pemko.com](http://www.pemko.com)  
Check the web site for the up-to-date catalog

Copyright © 2015-2025, ASSA ABLOY Accessories and Door Controls Group, Inc., an ASSA ABLOY Group company. All rights reserved. Reproduction in whole or in part without the express written permission of ASSA ABLOY Accessories and Door Controls Group, Inc. is prohibited.



## THE WEST COAST STOCKING PROGRAM

In an effort to better serve our customers in the western regions, we have expanded our collection of Pemko products available through our Ventura, California warehouse. Our West Coast Stocking Program includes a wide range of door accessories including thresholds, fire/smoke gaskets, door bottoms, perimeter gasketing, brush seals, astragals, continuous geared hinges, sliding door hardware, and more. All of the items in this catalog as well as their finishes are available in California.



800-824-3018 | [www.pemko.com](http://www.pemko.com)

Check the web site for the up-to-date catalog

Copyright © 2015-2025, ASSA ABLOY Accessories and Door Controls Group, Inc., an ASSA ABLOY Group company. All rights reserved.  
Reproduction in whole or in part without the express written permission of ASSA ABLOY Accessories and Door Controls Group, Inc. is prohibited.

**PEMKO**  
**ASSA ABLOY**

Experience a safer  
and more open world

## GENERAL INFORMATION AND TERMS

### Terms:

All prices are F.O.B. factory. To customers with satisfactory and / or prior approved credit and account status, terms of 1% 15 days, NET 30 days will be allowed. To open a new Pemko account, please contact your local Door Security Solutions Sales agency. Acceptance of orders and deliveries are subject to our approval.

### Credit Card Capabilities:

Visa, Mastercard, Discover, and American Express are accepted (only for established open accounts). Payment terms are NET.

### Freight Terms:

For freight policy terms & conditions please click [here](#) or see brand price book.

### Oversized/Special Packaging:

\$100.00 NET. This will be added to any order not meeting prepaid freight where the product is a) over 10 feet in length, b) a welded threshold assembly, or c) as deemed appropriate to ensure product safety while in transit.

### Minimum Order Level:

A surcharge of \$15.00 all will be added to NET orders less than \$100.00 NET.

### Returns And Allowances:

No merchandise will be accepted for return or credit unless prior written approval is obtained. Returned merchandise must be of recent sale (6 months), in restockable / resalable quality, size, and condition. A minimum 25% charge plus freight charges will be made for returns. Material that is not in standard stock sizes, is made to special order, has a custom finish, or has been sold at special consideration or closeout is subject to additional charges. Foam tape is not returnable. Adhesive gasket may only be returned within six (6) months from the ship date.

Contact Customer Service for rules and Return Goods Authorization paperwork.

### Cancellation Charges:

Cancellation of special order material, non-stock sizes, or special sizes are subject to cancellation charges, based on factory expense and material used.

### Guarantee:

Pemko products are guaranteed for five (5) years against defects in material or workmanship, except: 1) PemKote abrasive surface for thresholds is guaranteed for ten (10) years. 2) Polyurethane foam tapes are guaranteed for 90 days. 3) Grade 1 PemkoHinges are guaranteed for the life of the opening against defects in material or workmanship. All other grades of PemkoHinge carry a ten (10) year warranty. 4) Electrical modification performance is guaranteed for five (5) years on Heavy Duty Grade 1 (HD1) and 1100 Series hinges. Electrical modification performance is guaranteed for one (1) year on Standard Duty and Heavy Duty Grade 3 (HD3) hinges. 5) PC Henderson products are guaranteed for two (2) years against defects in material workmanship. 6) Powder Coated finishes are warranted for two (2) years; normal wear is not included in coverage.

Markar Continuous Hinges and Pivots are guaranteed to be free from defects in materials and workmanship for a period of 10 years. Hinges with medical bearings are guaranteed for twenty-five (25) years. Markar Edge Guards and Astragals are guaranteed to be free from defects in materials and workmanship for a period of (1) year. Markar electrical modification performance is guaranteed for five (5) years.

Pemko Manufacturing Co. will not be liable for defects or damages arising from improper installation, product modification, incorrect application or storage of product. Written notice of damages must occur within the warranty period. Liability shall be limited to the replacement of product or component determined to be defective and shall not include costs arising from removal or reinstallation of product. Cost of replacement shall not exceed original purchase price. No other claims will be allowed. In no event shall liability be extended to include punitive, incidental or consequential damages arising from use of Pemko products. This is the sole warranty given by Pemko Manufacturing Co.. No other warranty implied or expressed shall be allowed.

### Claims For Shortage Or Damage In Transit:

All claims must be made within ten (10) days of receipt of goods. Purchaser assumes the risk of loss or damage in transit.

### Mill Lengths:

Most extrusions are available in mill lengths. Cut lengths over 12 feet are charged as mill lengths.



Experience a safer  
and more open world

800-824-3018 | [www.pemko.com](http://www.pemko.com)  
Check the web site for the up-to-date catalog

Copyright © 2015-2025, ASSA ABLOY Accessories and Door Controls Group, Inc., an ASSA ABLOY Group company. All rights reserved.  
Reproduction in whole or in part without the express written permission of ASSA ABLOY Accessories and Door Controls Group, Inc. is prohibited.

## GENERAL INFORMATION AND TERMS

### Ordering Information:

Please order material by product number, specifying length required per piece and the number of pieces. Most weatherstrips are offered in standard sizes. If it is not practical to furnish the size ordered, the next larger size will be furnished and charged. Thresholds are maintained in standard sizes with 1/2" extra length on thresholds thru 47" and 1" extra length for thresholds 48" and longer to allow for fitting and field trim, unless exact net cut size is specified. Cut lengths under 24" will be charged as 24".

Thresholds, perimeter gaskets, astragals, and door bottoms are punched or drilled as standard, unless otherwise specified in this catalog. Material can generally be supplied without holes by stating "No Holes" on the applicable purchase order line.

Thresholds are punched with 12" centers. Thresholds over 8" in width will be punched with a double row. Thresholds are generally supplied with #10 flat head screws. Other fasteners are available on request.

Metal retainers for perimeter gaskets, door bottoms, and astragals are punched with 6" centers.

### Non-Stock Finish Information:

Some items shown in this catalog are not stocked in certain finishes (i.e. BDG, G, PW, and SN). 'Batch charges' may be required on non-stock finishes to achieve our normally fast lead times. Contact Customer Service for a quotation and lead time.

### Option Tables:

The option tables are provided for selection of other than standard or normal finishes, components, fabrication, or fasteners. Since these are other than standard or normal, please allow for extra lead time for option(s) selected.

### Cutting Tolerances:

Elastometric: -0 + 2" (50.8mm)

Thresholds (up to 48"): + 1/2" (12.7mm)

Thresholds (48" and up): +1" (25.4mm)

Net Cut: +/- 0.060, 1/16" (1.5mm)

Hinges: +/- 0.032, 1/32" (0.8mm)

Automatic Door Bottoms: +/- 0.060, 1/16" (1.5mm)

*Orders are subject to acceptance by Pemko Manufacturing Co. All prices and terms are subject to change without notice.*

### How to Order (Product Number Designations):

When placing your order, please specify the product profile number, finish, insert and size/length. Also make sure to clearly state any special fabrication needs, optional fasteners or custom finishes/sizes required.

Throughout the catalog, products are listed with an underscore ( \_ ) where variable finishes are available. More in-depth ordering information for specific lines is available in the individual product sections of the catalog.

#### Standard Products:

Example: 2005 A T 36 (Shown as 2005\_T in catalog)

Profile#:	Finish:	Insert:	Size/Length:
2005	A	T = ThermoSeal	36 = 36"
216	SN	PK = PemkoPrene®	48 = 48"
297	BDG	V = Eco-V™	3684 = 1 piece @ 36" + 2 pieces @ 84"
303	A	S=Silicone	84/2 = 2 pieces @ 84"

#### Adhesive Gasketing Products:

Example: S773 D 21 (Shown as S773\_ in catalog)

Profile#:	Finish:	Size/Length:
S773	D	21 = 21' coil
PK55	BL	510 = 510' (bulk packaging)
S88	W	17 = 17' coil

For PemkoHinge® and Modular Ramps, see detailed ordering information in their individual catalog sections.

800-824-3018 | www.pemko.com

Check the web site for the up-to-date catalog

Copyright © 2015-2025, ASSA ABLOY Accessories and Door Controls Group, Inc., an ASSA ABLOY Group company. All rights reserved. Reproduction in whole or in part without the express written permission of ASSA ABLOY Accessories and Door Controls Group, Inc. is prohibited.

**PEMKO**  
**ASSA ABLOY**

Experience a safer  
and more open world

## MATERIALS AND FINISHES INFORMATION

### Metals:

Extruded metal products are made from 6063 aluminum alloy or CDA alloy C38500 architectural bronze (brass). Roll-formed metal products are made from steel, 70-30 yellow brass, or 85-15 red brass. Roll-formed aluminum weatherstripping is produced from various alloys selected for the particular properties required. See finishes information below for all finish designations. If you do not see the option you require, please inquire with our Customer Service Department about the feasibility of a custom finish.

### Finish Designations:

<b>A</b>	- Mill Finish Aluminum
<b>AK</b>	- Mill Finish Aluminum w/PemKote®
<b>B</b>	- Mill Finish Extruded Bronze (Brass)
<b>BK</b>	- Mill Finish Extruded Bronze (Brass) with PemKote®
<b>BDG</b>	- Bright Dip Gold Anodized Aluminum
<b>BSP</b>	- Black Suede Powder Coat
<b>C</b>	- Clear Anodized Aluminum
<b>D</b>	- Dark Bronze Anodized Aluminum

<b>G</b>	- Gold Anodized or Powder Coated Aluminum
<b>PW</b>	- Painted White Aluminum
<b>S</b>	- Cladded Stainless Steel
<b>SN</b>	- Satin Nickel Anodized or Powder Coated Aluminum
<b>SP</b>	- Galvannealed Steel
<b>SS</b>	- Stainless Steel (see individual part for finish)
<b>WSP</b>	- White Suede Powder Coat
<b>Z</b>	- Steel Metal
<b>10BE</b>	- Satin Bronze Powder Coat

### Special Order Finishes:

Painted Aluminum (any color)  
Polished Aluminum, Uncoated  
Polished Bronze, Uncoated

Powder Coating, Custom - Provide RAL#  
Satin Brushed Aluminum, Uncoated  
Satin Brushed Bronze, Uncoated  
Oxidized and Oil Rubbed Bronze

### Finish Options:

PemKote®  
Anodized (*clear, dark bronze, black*)  
Polish/Buff Brass  
Polish/Buff Aluminum  
Satin Buff Brushed Brass  
Oxidized & Oil Rubbed L-metal (ANSI/BHMA 722)  
Oxidized & Oil Rubbed L-metal (custom finish, 609, 613)  
Oxidized & Oil Rubbed Thresholds (ANSI/BHMA 722)  
Oxidized & Oil Rubbed Thresholds (custom finish, 609, 613)  
Oxidized & Oil Rubbed Weatherstrip (ANSI/BHMA 722)  
Oxidized & Oil Rubbed Weatherstrip (custom finish, 609, 613)

### Adhesive Gasketing And Replacement Eco-V™ Finishes:

BL - Black  
C - Clear  
D - Dark Brown  
GR - Light Gray  
TAN - Tan  
W - White

### Inserts:

Pemko Manufacturing Co. manufactures many products with gasket inserts (seals). See insert information below for all insert (seal) designations. Also, the available inserts (seals) for each individual product are shown adjacent to each individual product.

<b>E</b>	- EPDM, Solid	<b>PK</b>	- PemkoPrene®*	<b>SB</b>	- Soft Brush
<b>M</b>	- Magnetic	<b>Q</b>	- Kerf-in Foam	<b>T</b>	- ThermoSeal
<b>N</b>	- Neoprene or EPDM	<b>R</b>	- Sponge Neoprene or EPDM	<b>TF</b>	- Triple Foam
<b>NB</b>	- Nylon Brush	<b>S</b>	- SiliconSeal or Sponge Silicone (see individual part)	<b>V</b>	- Eco-V®
<b>P</b>	- Pile				

\*PK: In order to best control our customers' costs some PK (Santoprene™) products may be a silicon based elastomeric material with comparable performance.



Experience a safer  
and more open world

800-824-3018 | [www.pemko.com](http://www.pemko.com)  
Check the web site for the up-to-date catalog

Copyright © 2015-2025, ASSA ABLOY Accessories and Door Controls Group, Inc., an ASSA ABLOY Group company. All rights reserved.  
Reproduction in whole or in part without the express written permission of ASSA ABLOY Accessories and Door Controls Group, Inc. is prohibited.

**Fabrication Options:**

Pemko Manufacturing Co. offers many fabrication options for our products to fit specific job requirements. Please consult our Customer Service Department for details. Custom fabrications are subject to engineering design costs and are quoted on a time and material basis.

Bevel	One Edge	Miter2-1	Double, One End of Threshold
Cut	Thresho-Sill Nosing Flush	Miter2-2	Double, Both Ends of Threshold
Leadline	Leadline of Astragals, Door Bottoms	Half Notch	1/2", Door Shoe, Both Ends, Drip Only
Rip	Width	Half Notch	3/4", Door Shoe, Drip Only, Both Ends
Tack Weld	One Line	Half Notch	5/8", Door Shoe, Drip Only, Both Ends
Tab	Welded Tab & Screw	Half Notch	9/16", Door Shoe, Drip Only, Both Ends
Support Leg	For Elevated Plates 3" Center to Center	Full Notch	1/2", Door Shoe, Both Ends
L-Notch	Both Ends of Threshold	Weep Holes	All Door Shoes
U-Notch	Both Ends of Threshold	Custom Holes	Custom Hole Pattern
Drill	Thresho-Sill (Add "H" to Prod. #)		
Mill & Drill	Thresho-Sill (Add "M" to Prod. #)		
Miter1-1	Single, One End of Threshold		
Miter1-2	Single, Both Ends of Threshold		

*Fabrication Options Important Note: Complicated fabrications are quoted based on time and materials.*

**Drawings:**

Product drawings throughout the catalog may be a reduced representation/not drawn to scale. They are representations of the product size, dimensions, shape, etc. For scale drawings in PDF or AutoCAD (DWG or DXF) format, please visit our website: [www.pemko.com](http://www.pemko.com)

**PRODUCT TESTING/CLASSIFICATION SYMBOLS**

These symbols are shown adjacent to products throughout the catalog so that one can readily identify and select products which meet specification and/or code requirements.



**GREENGUARD GOLD Certification:**

Tested To: UL2818

GREENGUARD GOLD Certified products are certified to GREENGUARD GOLD standards for low chemical emissions into indoor air during product usage. For more information, visit [ul.com/gg](http://ul.com/gg) or [spot.ul.com](http://spot.ul.com) for Pemko's GreenGuard listing.



**Air Infiltration Tested**

Tested To: ASTM E-283-04 (2012)

Products indicated by this symbol have been air infiltration tested in accordance with the requirements of ASTM E-283 Rate of Air Leakage Through Exterior Windows, Curtain Walls, and Doors.



**Sound Tested**

Tested To: ASTM E 90-2009

Products indicated by this symbol have been acoustically tested in accordance with ASTM E 90-2009. Method for Laboratory Measurement of Airborne Sound Transmission Loss of Building Partitions Tests were conducted by accredited laboratories for acoustic testing. Contact your Door Security Solutions Sales rep or Pemko Customer Service for recommended PEMKOSTCSET kits.



**Barrier-Free**

Meets Requirements of: ADAAG-2010 (Amended) and ICC / ANSI A117.1-2017

Products indicated by this symbol are access compliant by having installed height differences not over 1/2" with allowable edge and slope conditions. All ramp products (found in the Modular Ramp section) have ADA compliant 1:12 slopes: Pemko Modular Ramp Thresholds, Rubber Ramp Thresholds and Recycled Rubber Ramps. Contact Pemko Manufacturing or refer to page 14 for recommended Barrier-Free Systems.

800-824-3018 | [www.pemko.com](http://www.pemko.com)

Check the web site for the up-to-date catalog

Copyright © 2015-2025, ASSA ABLOY Accessories and Door Controls Group, Inc., an ASSA ABLOY Group company. All rights reserved. Reproduction in whole or in part without the express written permission of ASSA ABLOY Accessories and Door Controls Group, Inc. is prohibited.



Experience a safer and more open world



**Non-Skid/PemKote™**

Meets Requirements of: ASTM D 2047, UL 410 & Federal Specifications P-F-430C  
 PemKote™ is a rugged abrasive finish of nickel-aluminum composite which is fused to the metal surface by an exothermic reaction. This process produces an aesthetically pleasing skid resistant coating with extremely high bond strength and excellent resistance to oxidation. PemKote™ carries a TEN (10) YEAR GUARANTEE, and is available on all Pemko line metal thresholds and metal modular ramps. ASSA ABLOY highly recommends the use of PemKote™ for all Barrier-Free Modular Ramps and as a durable, economical alternative for cast abrasive products.



**Smoke Tested**

Tested To: UL 1784  
 Meets Requirements of: NFPA 105-2013  
 Products indicated by this symbol are Listed by WYLE Laboratories as having been tested in accordance with Underwriters Laboratories Inc.®, Standard UL 1784 Air Leakage Tests of Door Assemblies, and meet the performance criteria for allowable air leakage as specified in NFPA 105-2013 Installation of Smoke Control Door Assemblies.



**Fire Rated**

Products indicated by this symbol are fire rated, classified and listed (U.S.A. and Canada) to meet the requirements/ standards of UL10B, UL10C, and UL10C (Edge Sealing). For a complete listing of fire rated and UL listed products, please refer to the UL Product Directory website, <https://iq2.ulprospector.com>.



**PemkoHinge® Rating:**

All hinge models designated with these symbols are tested by Underwriters Laboratories Inc.® (U.S.A. and Canada) to standards UL10B and UL10C for up to a 3-Hour Fire Listing for all 4'-0" x 10'-0" and 8'-0" x 10'-0" door and frame assemblies. Fire listing certifications apply to all approved hollow metal and wood door assemblies in drywall or masonry wall construction. Check UL File #R14745 on the UL website for a complete and current listing of applicable PemkoHinge® products.



**Builders Hardware Manufacturers Association:**

Products indicated by this symbol have been voluntarily submitted to rigid third party testing and follow-up audits to confirm that they fully and continuously meet or exceed the requirements of their underlying ANSI / BHMA Standards. These products are listed in the BHMA Certified Products Directory. They are also posted and frequently updated on the BHMA website at [www.buildershardware.com](http://www.buildershardware.com). Pemko products are covered by the following: ANSI / BHMA A156.21 Standard for Thresholds, ANSI / BHMA A156.22 Standard for Door Gasketing Systems, and ANSI / BHMA A156.26 Standard for Continuous Hinges.



UL1S47 - Check UL File #R18375 on the UL website for a complete and current listing of applicable Pemko edge sealing and fire glazing products (not specifically listed by item in this product catalog).



UL4L10 - Check UL File #R14369 on the UL website for a complete and current listing of applicable Pemko line products (not specifically listed by item in this product catalog).



Check Pemko's Category G, Category H and Category J listings on ITS website [www.intertek.com](http://www.intertek.com) for a complete and current listing of applicable Pemko edge sealing, perimeter gasketing and fire glazing products.



Experience a safer and more open world

800-824-3018 | [www.pemko.com](http://www.pemko.com)  
 Check the web site for the up-to-date catalog


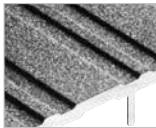








Copyright © 2015-2025, ASSA ABLOY Accessories and Door Controls Group, Inc., an ASSA ABLOY Group company. All rights reserved. Reproduction in whole or in part without the express written permission of ASSA ABLOY Accessories and Door Controls Group, Inc. is prohibited.

## BARRIER-FREE SYSTEMS



Pemko product lines include many products such as modular ramps, thresholds and floor treads, that help you meet the requirements of the Americans with Disabilities Act (ADA) as outlined in the Americans with Disabilities Act Accessibility Guidelines (ADAAG-2010 amended); ICC /ANSI A117.1 Standard Accessible and Usable Buildings and Facilities; any of the various Uniform Building Codes; or state access codes (e.g. California Building Code, Title 24).

The following table shows which products comply with the ADAAG and ICC /ANSI standard and also notes their respective sections.

ICC / ANSI A117.1 (ADAAG)	Pemko Recommendation
302 (4.5) Floor or Ground Surfaces. 302.1 (4.5.1) General. "shall be slip resistant"  <i>Skid resistant.</i>	"Slip resistant" PemKote™, non-skid surface <ul style="list-style-type: none"> <li>PemKote™ (finish code: "K") is a rugged abrasive finish of nickel-aluminum composite</li> <li>PemKote™ provides safety in environments used by youths and people with disabilities</li> <li>For more information, see the Modular Ramps section</li> </ul>  <i>PemKote™: skid resistant surface.</i>
302.2 (4.5.3) Carpet. "Exposed edges of carpet...shall have trim along the entire length of the exposed edge. Trim shall comply with Section 303"	 Note: See Commercial Thresholds section (page 136) for more options.
303 (4.5) Changes in Level 303.2 (4.5.2) Vertical. "Changes in level of 1/4" (6mm) high maximum shall be permitted to be vertical"	 Note: See Commercial Thresholds section (pages 134-135) for more options.
303.3 (4.5.2) Beveled. Changes in level greater than 1/4 inch (6.4 mm) in height and not more than 1/2 inch (13 mm) maximum in height shall be beveled with a slope not steeper than 1:2."	 Note: See Commercial Thresholds section (pages 106-129) for more options.
303.4 (4.5.2) Ramped. "Changes in level greater than 1/2" (13mm) shall be by a ramp complying with Section 405 (4.8)"	<ul style="list-style-type: none"> <li>Assemblies accommodate 1/2" to 2 1/4" floor offsets in meeting the 1:12 slope requirements of the "Americans with Disabilities Act"</li> <li>Rubber ramp component assemblies meet the same requirements.</li> <li>Answer the needs of architects, specifiers, building owners, installers, and physically challenged people</li> <li>For use in schools, hospitals, stadiums, offices, restaurants, hotels, airports, and more</li> <li>For complete information, see the Modular Ramps section</li> </ul>
404 (4.13) Doors, Doorways and Gates. 404.2.4 (4.13.8) Thresholds. "...shall be 1/2" high maximum...shall comply with Sections 302 and 303"	 Note: See Commercial Thresholds section (pages 106-129) for more options.
404.2.8 Door and Gate Opening Force - 5lbs. maximum	
405 (4.8) Ramps 405.2 (4.8.2) Slope. "Ramp runs shall have a running slope... not steeper than 1:12" (Note: Some exceptions apply to this with respect to existing buildings having space limitations. Consult Pemko for specific applications.)	 Note: See Modular Ramp section (pages 142-146) for more options.
504 (4.9) Stairways 504.4 Tread Surface 504.5 (4.9.3) Nosings	  Note: See Floor Treads section (pages 132-133) and Floor Molding, Trim section (page 284) for more options.

800-824-3018 | www.pemko.com

Check the web site for the up-to-date catalog

Copyright © 2015-2025, ASSA ABLOY Accessories and Door Controls Group, Inc., an ASSA ABLOY Group company. All rights reserved. Reproduction in whole or in part without the express written permission of ASSA ABLOY Accessories and Door Controls Group, Inc. is prohibited.

**PEMKO**  
**ASSA ABLOY**

Experience a safer  
and more open world



The following interprets ANSI/BHMA numbers which identify material and type of products. For products that meet ANSI/BHMA Standards, look for the BHMA certified logo next to the product in our catalog. For a complete listing refer to the BHMA Certified Products Directory on line at [www.buildershardware.com](http://www.buildershardware.com).

### American National Standard for Thresholds ANSI/BHMA A156.21 (2019)

1 Product Section "J" Designates Architectural Door Trim, Thresholds				
2 Material	3 Configuration	4 Surface	5 Description	6 Description
1. Architectural Extruded Brass or Bronze 3. Aluminum 5. Stainless Steel 7. Rubber & similar nonmetallic 0. Other (ie: cast iron, safety abrasive, etc.)	1. Compressing top 2. Flat Saddle 3. Half Saddle 4. Interlocking 5. Rabbeted, Latching/Panic with Gasket 7. Plate 8. Ramped 9. Saddle for Floor Closer 0. None designated	1. Fluted 2. Fluted with abrasive 3. Smooth 4. Smooth with abrasive	1. Applied Stop 2. Applied Stop with gasket 3. Barrier Free 4. Carpet Separator 5. Ends Mitered 6. Expansion Assembly 7. Hook Strip Applied to door 8. Offset 9. Thermal Break 0. None Designated	1. Applied Stop 2. Applied Stop with gasket 3. Carpet Separator 5. Ends Mitered 6. Expansion Assembly 7. Hook Strip applied to door 8. Offset 9. Thermal Break 0. None Designated

Suffix "-HD" designates thresholds meeting Heavy Duty requirements

### American National Standard for Door Gasketing and Edge Seal Systems ANSI/BHMA A156.22 (2021)

1 Product Section "R" Designated Gasketing					
2 Product Material	3 Gasketing Material		4 Product Type	5 Material Application	6 Gasketing Rating
1. Brass or Bronze 3. Aluminum 5. Stainless Steel 0. Optional material or none used	A. Brush B. Neoprene, solid C. Neoprene, closed cell D. Vinyl/Eco-V™ E. Silicone Rubber F. Pile G. Thermoplastic Elastomer (TPE) H. Thermoplastic Urethane (TPU) J. Thermoplastic Rubber K. Spring Metal L. Magnetic M. Felt N. Rubber Fabric P. Intumescent Q. Intumescent/Brush	R. Intumescent/Neoprene, Solid S. Intumescent/Neoprene Closed Cell T. Intumescent/Vinyl U. Intumescent/Silicone Rubber V. Intumescent/Pile W. Intumescent/Thermoplastic (TPE) X. Intumescent/Thermoplastic Urethane (TPU) Y. Optional material or none used Z. Intumescent/Thermoplastic Rubber	1. Head and Jamb 2. Head and Jamb, Adjustable 3. Automatic Door Bottom 4. Door Sweep or Shoe 5. Door Sweep or Shoe with Drip Cap 6. Astragal Overlapping 7. Astragal Split or Compensating 8. Astragal Adjustable 9. Rain Drip without gasket 0. Other	1. Door Edge 2. Door Edge, Mortise 3. Door Face 4. Door Face, Semi-Mortise 5. Frame Rabbet (surface or mortise) 6. Frame Soffit (H.M.) Frame Stop (W.D.) 7. Frame Face 8. Kerf 9. Stop (H.M.), Stop Face (W.D.) 0. Other	0. Smoke/Energy Performance/Acoustic Rated 1. Smoke/Energy Performance Rated 2. Smoke/Acoustic Rated 3. Energy Performance/Acoustic Rated 4. Smoke Rated 5. Energy Performance Rated 6. Items not Rated 7. Acoustic Rated

### American National Standard for Continuous Hinges ANSI/BHMA A156.26 (2021)

First letter denotes BHMA Product Section (A)					
First Numeral-Product Material	Second Numeral-Type of Product	Third Numeral-Electrical Modifications	Fourth Numeral-Door Weight (lbs)	Fifth Numeral-Grade Classification	Second Letter-Hinge Type
1. Brass, Bronze 3. Aluminum 5. Stainless Steel 8. Steel	1. Edge Mounted Hinges 2. Half Edge Mounted Hinges 3. Full Surface Hinges 4. Half Surface Hinges 5. Swing Clear 6. Raised Barrel 7. Wide Throw 0. Other	0. None 1. Concealed Wire Transfer 2. Monitor 3. Power Transfer 4. Other	1. 150 2. 300 3. 600 4. 1200	1. Grade 1 2. Grade 2 3. Grade 3	B. Barrel G. Geared



Experience a safer and more open world

800-824-3018 | [www.pemko.com](http://www.pemko.com)  
 Check the web site for the up-to-date catalog

Copyright © 2015-2025, ASSA ABLOY Accessories and Door Controls Group, Inc., an ASSA ABLOY Group company. All rights reserved. Reproduction in whole or in part without the express written permission of ASSA ABLOY Accessories and Door Controls Group, Inc. is prohibited.



# MARKAR CONTINUOUS PIN AND BARREL HINGES

## CONTENTS:

General Information.....	18
Hinge Finishes .....	20
Hinge Numbering System and Standard Lengths .....	21
Continuous Hinge Modifications .....	22
3500 Series Stainless Steel Pin and Barrel Security Hinges .....	25
600 Series Stainless Steel Pin and Barrel Hinges .....	29
300 Series Stainless Steel Pin and Barrel Hinges .....	30
300 Series Stainless Steel Edge Guards.....	45
200 Series Carbon Steel Pin and Barrel Hinges.....	48
100 Series Aluminum Pin and Barrel Continuous Hinges .....	50
900 Series Toilet Partition Hinges .....	52
400 Series Toilet Partition Hinges .....	54
Pivots.....	56
Flat Astragals.....	57
Fasteners and Fastener Packs.....	59
Tools, Parts, and Accessories.....	63
Custom Lengths .....	64

## INDEX:

<u>PRODUCT</u>	<u>PAGE</u>	<u>PRODUCT</u>	<u>PAGE</u>	<u>PRODUCT</u>	<u>PAGE</u>
B1923.....	56	FM400 .....	54	FS/SC309 .....	38
EG308.....	45	FM600 .....	29	HG305 .....	37
EGC308 .....	46	FM900 .....	52	HG310.....	39
EGT308 .....	47	FM3500.....	25	HG311 .....	40
FA68.....	57	FS102 .....	51	HG315.....	41
FA70 .....	57	FS301 .....	33	HG323 .....	42
FA80.....	57	FS302.....	34	HG326 .....	43
FM100.....	50	FS402.....	55	HG329 .....	44
FM200.....	48	FS902.....	53	HG3505.....	28
FM300 .....	30	FS910.....	53	HM304.....	36
FM300WT .....	31	FS3501.....	26	HS203 .....	49
FM300WT .....	32	FS3502.....	27	HS303 .....	35

NOTE: Products shown in this section may not be drawn to scale



## MARKAR CONTINUOUS PIN AND BARREL HINGES

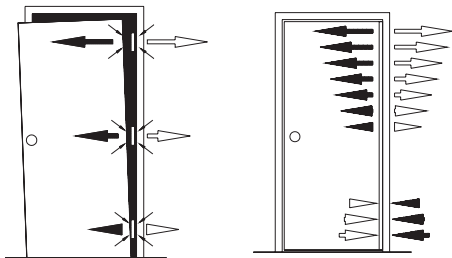
Markar has been a leader in innovative products for the hardware industry since 1969. In 1983, Markar was the first manufacturer to produce an architectural grade, adjustable continuous pin and barrel hinge line, and that innovation continues today with quality continuous hinges and edge guards. Markar leads the industry in development of fire rated continuous hinges with their flagship 300 Series Stainless Steel, 3500 Series institutional grade, and 200 Series cold rolled steel hinges. Building on customer feedback, Markar has developed over 75 standard continuous hinge models providing products for a wide variety of applications and challenges.

### Custom Designs

Whether the need is for a custom color to match a specific palette, hospital tips for patient rooms, hardware cutouts, wide throw models, custom hole patterns, security fasteners, current transfers, monitoring switches, or medical bearings, Markar hinge modifications will enhance the fit and function of an opening. Markar hinges are available in a wide range of finishes including powder coat, anodized (for aluminum), and architectural finishes.

### Medical Bearings are Standard

Medical Bearings are standard for all Pin and Barrel hinges. You benefit from this standard offering with permanently lubricated hinges with no metal to metal contact, improving the life and overall function of the hinge.



**Most door and frame stress is put on the top of conventional hinge systems.**

**A continuous hinge spreads the stress along the full length of the door and frame.**

## WHY CONTINUOUS HINGES?

Did you know that on a door with traditional butt hinges, 70% of the door weight is on the top hinge? The top hinge also bears the brunt of abuse when doors are opened beyond the stop device, resulting in kickback shock and eventual failure of the hinge and damage to the frame. This is why continuous hinges are recommended for heavy doors and for situations where doors are exposed to misuse.

Continuous hinges reduce the factors leading to hinge failure by distributing weight evenly so wear and tear to the frame and door is reduced significantly.

In addition, continuous hinges:

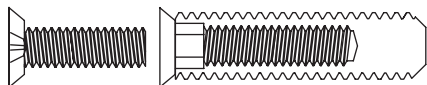
- Increase security and reduce vandalism by preventing insertion of devices between the door and frame
- Ease installation by providing simple alignment of electrical transfers and of monitoring switches
- Reduces air infiltration by creating a complete seal from top to bottom of the door at the hinge jamb

Markar manufactures pin and barrel hinges as well as spring loaded toilet partition pin and barrel models. There are over 75 different models to choose from offering a variety of configurations, options, and materials.

## Optional Features

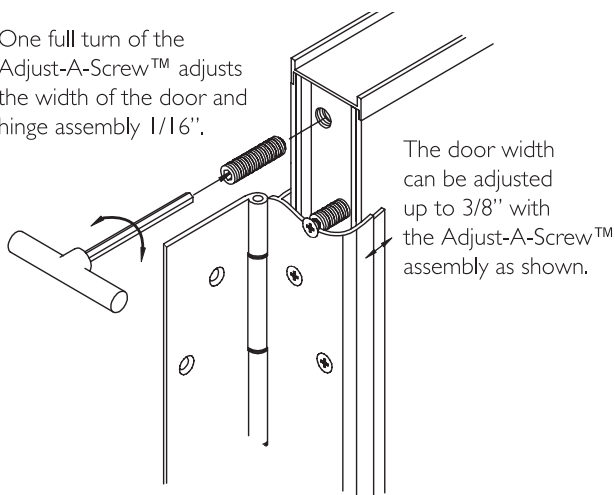
### The Unique Adjust-A-Screw™ Fastener

An optional Markar fastener available on Hinge Guard models permits up to 3/8" width adjustment. Full door length adjustment means doors can be squared accurately and easily in new installations and existing frames can be used in retrofits. Maintenance staff can make future adjustments of the door by re-positioning the Adjust-A-Screw™ Fasteners.



### Adjust-A-Screw™ Assembly

One full turn of the Adjust-A-Screw™ adjusts the width of the door and hinge assembly 1/16".

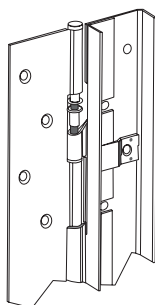


*Recommended 14 gauge reinforcements on frame and door. If using an adjustable Hinge Guard with Adjust-A-Screw, use 14 gauge reinforcements on frame and 12 gauge reinforcements on door.*

For more information, including technical memos, door clearance guides and templates visit <https://www.assaabloydooraccessories.us/en/>

## Exclusive Fiber-Reinforced Polymer Bearings

- Uniquely designed to provide clean and quiet hinge operation
- Self lubricating with high resistance to wear
- Exceeds ANSI/BHMA Grade 1 requirements
- 25 year warranty



800-824-3018 | [www.pemko.com](http://www.pemko.com)

Check the web site for the up-to-date catalog

Copyright © 2015-2025, ASSA ABLOY Accessories and Door Controls Group, Inc., an ASSA ABLOY Group company. All rights reserved. Reproduction in whole or in part without the express written permission of ASSA ABLOY Accessories and Door Controls Group, Inc. is prohibited.

## Windstorm Rated Hinges

Windstorm/hurricane testing on Markar continuous hinges was completed with UL and has been reviewed and approved to meet the requirements of the Florida Building Code (FBC). These hinges have passed tests for the following: an Impact Test (TAS 201), Static Load/Cyclical Test (TAS 202), and a Water and Leakage Test (TAS 203). Markar excelled in all three categories of testing.

Based on this performance, the FBC approved most Markar hinges in the following series:

(Up to openings of 4'0 x 8'0 singles and 8'0 x 8'0 pairs)

- 100 – 6063-T6 Aluminum
- 200 – 14 ga. Cold Rolled Carbon Steel
- 300 – 14 ga. 304 Stainless Steel
- 600 – 14 ga. 316 Stainless Steel
- 3500 – 12 ga. 304 Stainless Steel (Security Grade)



Tornado



Hurricane



## Fire Rated Continuous Hinges

Markar Stainless Steel hinges (300 Series and 3500 Series) and carbon steel hinges (200 Series) are available with two labeling options: Underwriters Laboratories Inc. or Warnock Hersey Int'l.

- 20 minute labeled wood doors
- One and a half hour labeled hollow metal and composite-core wood fire doors
- Three hour labeled hollow metal doors

Maximum Door Opening:

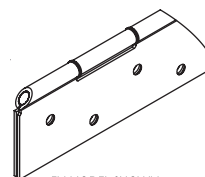
Single Doors: 4'0" x 10'0"

Pair of Doors: 8'0" x 10'0"



In accordance with UL10C for positive pressure.

## Behavioral Health Hinges



FM MODEL SHOWN

**PEMKO**  
**ASSA ABLOY**

Experience a safer  
and more open world

# STANDARD POWDER COAT FINISHES

## Tough, Durable, Long-Lasting

Designed for general purpose interior and exterior use and applications where maximum chemical and solvent resistance is required.

## Performance Properties

The data below is based on 24 gauge Bonderite 1000 panels with 1.5 mil to 2.0 mil of high gloss formulation.

Adhesion (ASTM D-3359B): There is no lifting of 1/8" squares of coating between scribed lines in crosshatch adhesion testing using pressure sensitive adhesive backed tape.

Pencil Hardness (ASTM D-3363): 2H - 4H

Flexibility (ASTM D-522 modified): The coating withstands a 180° bend over a 1/4" diameter mandrel without cracking or loss of adhesion.

Impact Resistance (ASTM D 2794 modified): The coating withstands 160 inch-pound impacts, both direct and reverse, without cracking or loss of adhesion using the standard Gardner impact tester.

Abrasion Resistance (ASTM D-4060 modified): The weight loss of coating after 1,000 cycles on a Taber abraser equipped with CS-10 wheels and operating under a 1 kilogram loading per wheel is on the order of 35 to 50 milligrams.

Salt Spray Resistance (ASTM B-117): Bonderite 1000 steel panels, in a scribed condition, exhibit no undercutting after 1,000 hours in 5% salt spray testing at 95°F and 95% relative humidity. There was no rusting or blistering on the panel face away from the scribe.

Humidity Resistance (ASTM D-2247): Bonderite 1000 steel panels in an unscribed condition exhibit no effect after 1000 hours exposure to 100% relative humidity at 100°F.

Chemical and Solvent Resistance: After 60 days immersion in the test fluid, the following data was obtained for epoxy powder coatings:

15% Hydraulic Acid	No Effect
Lacquer Thinner	No Effect
Dilute "HTH" Pool Chemical	No Effect
15% Sulfuric Acid	Pinhole Rust
15% Caustic Soda	#8 Blisters
Ammonia Hydroxide	#8 Blisters
Petrochloroethylene	No Effect
15% Acetic Acid	#4 Blisters
Gasoline	No Effect

Verification of resistance properties should be made for each chemical or solvent proposed for use with the coating.

## Closest US Standard & BHMA Finishes

No minimum quantity.

PC-1	Dark Oxidized Satin Bronze	10BE
PC-2	White Suede	714
PC-3	Black Suede (BSP)	693
PC-4	Aluminum	689
PC-5	Sun Gold	706
PC-6	Light Copper	691
PC-7	Polished Brass	605

PC-7 available only on 100 & 300 series hinges

\*NOTE: The PC-7 will have an additional charge for two-step polishing process.

## Special Finishes

Polished Aluminum	US26	672
Polished Stainless	US32	629
Kynar Paint	With Color Approval	

\*NOTE: Additional setup charges will apply.

## Special Anodized Finishes

Gold Anodized	US3	310
Light Bronze Anodized	US9	311
Medium Bronze Anodized		312
Black Anodized	US19	315

## Custom Powder Coat Finishes

All RAL Powder Coat finishes available. Sample color chip must accompany order. Priced at time of order.

## U.S. Standard & B.H.M.A. Finish Codes

US3	310	gold anodized
US9	311	light bronze anodized
	312	medium bronze anodized
US20A	313	dark bronze anodized
US19	315	black anodized
USP	600	primed for paint
US2G	603	zinc plated
US28	628	clear anodized
US32	629	bright Stainless Steel
US32D	630	satin Stainless Steel
US26	672	bright polished aluminum
US28	689	aluminum paint
US20A	690	dark bronze paint
US10	691	light bronze paint
US19	693	black paint
US4	706	gold paint
	714	white paint



Experience a safer and more open world

# HINGE NUMBERING SYSTEM

## Hinge Prefixes

EG	Edge Guard
FM	Edge Mount
FS	Full Surface
HG	Hinge/Guard
HM	Half Mortise
HS	Half Surface
SC	Swing Clear

## Hinge Series

This series number indicates the type of hinge and base material used:

100	Aluminum barrel hinges with stainless pin
200	Carbon steel barrel hinges with stainless pin
300	Stainless steel barrel hinges with stainless pin
400	Spring loaded aluminum toilet partition hinge
600	14 Gauge 316 stainless steel pin and barrel security hinges
900	Spring loaded stainless steel toilet partition hinges
1900	Reinforcing pivots
3500	12 Gauge stainless steel pin and barrel security hinges

## Hinge Models

The last two digits of the model number indicate the application:

00	Edge mount (formerly full mortise)
01	Full surface, 1/8" offset
02	Full surface, flush
03	Half surface, 1/8" offset
04	Half mortise, 1/8" offset
05	Edge mount hinge/guard
06	Half mortise hinge/guard
07	Double hinge/guard
08	Edge guard
09	Full surface, swing clear
10	Swing clear hinge/guard
11	Edge mount, self aligning
15	Edge mount, self aligning flush edge guard
21	Full surface inset, 3/4" offset
22	Edge mount hinge/guard, deep
23	Edge mount hinge/guard, deep, thru bolt
25	Edge mount swing clear
26	Edge mount hinge/guard, swing clear
27	Edge mount, safety hinge
29	Edge mount, self aligning

Other numbers are used for specific applications

## Optional Suffixes

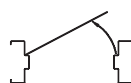
AMS	Adjustable Monitoring Switch
CTP	Current Transfer Preparation
DDP	Dutch Door Prep
EL	ElectroLynx® Wires (Specify 4, 8, or 12)
ETAP	Electrical Transfer Access Prep
EPT	Electric Power Transfer
HT	Hospital Tip
LL	Lead Lined
PC	Powder Coated
RB	Raised Barrel
WT	Wide Throw
PoE	Power over Ethernet

## Hinge Standard Lengths

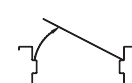
### Standard Hinge Length Conversion Chart

A 6'8"	door opening	=	actual length	79 <sup>3</sup> / <sub>16</sub> "
A 7'0"	door opening	=	actual length	83 <sup>1</sup> / <sub>8</sub> "
A 7'2"	door opening	=	actual length	85 <sup>1</sup> / <sub>8</sub> "
A 8'0"	door opening	=	actual length	95"
A 10'0"	door opening	=	actual length	118 <sup>3</sup> / <sub>4</sub> "

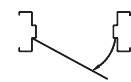
Custom hinge length will be evaluated at the time of request to ensure proper pin to knuckle alignment. Some custom length requests may be adjusted to ensure a proper hinge assembly. Specify handing on all custom hinge lengths.



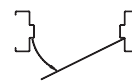
LEFT HAND



RIGHT HAND



LEFT HAND REVERSE



RIGHT HAND REVERSE

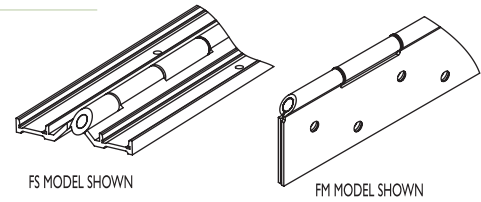
# CONTINUOUS HINGE MODIFICATIONS

## Special Length

Please specify handing on all custom hinge lengths  
 Some custom lengths may require two cuts due to location of screw holes

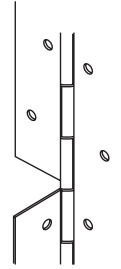
## Hospital Tip

Available on all models except spring-loaded toilet partition hinges.  
 Handing needed on some models and all cut down lengths.  
 Suffix hinge "-HT"  
 Helps provide a safe, clean environment



## Dutch Door Prep

Available on all hinge models  
 Suffix hinge "-DDP"  
 Continuous frame leaf with two-piece door leaf  
 Indicate handing, clearances, door and frame heights, and materials when ordering

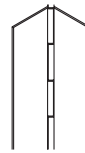


## Wide Throw

Only available on 300 and 3500 series hinges  
 Markar Custom Hinge Information Form must be filled out  
 Reinforcement may be required on extreme wide throw applications  
 These conditions will be determined through a drawing approval process

## Blank

Holes omitted for special applications, such as welded installation  
 Not available on adjustable models



## Welded End Pins

End pins are tack-welded and are non-removeable  
 Not available on aluminum, powder coated hinges and 200 series hinges

## Plug Weld

Plug welding hole prep

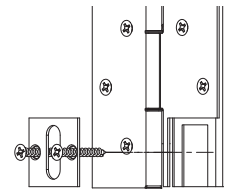
## Automatic Door Bottom Cut

Standard "U" shape cut accepts most automatic door bottoms  
 Make and model are needed

## Removable Auto Door Bottom Prep (RADBP)

Auto door bottom cut out with cover plate

- FMPLATE (FM300, HM304)
- HGPLATE (HG311, HG315, HG329)
- HGADJPLATE (HG305, HG310, HG326) FM3500PLATE (FM3500)

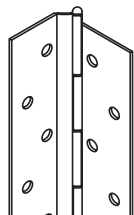


Experience a safer  
 and more open world

800-824-3018 | [www.pemko.com](http://www.pemko.com)  
 Check the web site for the up-to-date catalog

Copyright © 2015-2025, ASSA ABLOY Accessories and Door Controls Group, Inc., an ASSA ABLOY Group company. All rights reserved.  
 Reproduction in whole or in part without the express written permission of ASSA ABLOY Accessories and Door Controls Group, Inc. is prohibited.

## CONTINUOUS HINGE MODIFICATIONS (CONT.)



### Raised Barrel (Swaged)

Available on all edge mount, half surface, and half mortise models except on aluminum hinges

Suffix hinge "-RB"

For cased open or center pivot doors



### Standard Edge Guard Cut-Outs

The Edge Guard Order form must be filled out to properly locate the hardware cut-outs

4<sup>7</sup>/<sub>8</sub>" ASA strike

161 latch

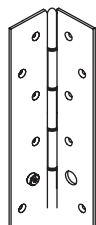
161 strike

86 mortise

Manual flush bolt

Automatic flush bolt

Fire bolt



### Security Studs

Stainless Steel security studs mounted to the frame leaf

Door leaf is drilled to accommodate studs

Three studs installed on hinges up to 7'2"

Four studs installed on hinges over 7'2"

Door and frame must be specially prepared to accommodate security studs

### Custom Design

The engineering department will assist you in developing custom applications to solve any of your unique door hinging problems. This includes Sheared Leaf or Custom Hole Pattern modifications.

Markar Custom Hinge Information Form must be filled out

### Lead Lined (Standard 4 Lbs./SQ.FT.)

Used for X-ray room doors and other locations where radiation leakage could be a problem

Available on surface mounted hinges and Markar EGT308 edge guard

## CONTINUOUS HINGE MODIFICATIONS *(Cont.)*

### EL ElectroLynx® Current Transfer

EL4 For 300, 3500, 200, and 100 series edge mount only.  
 2 wires at 22 gauge and 2 wires at 26 gauge - with ElectroLynx® connectors (4 wire)  
 EL8 For 300, 3500, 200, and 100 series edge mount only.  
 2 wires at 22 gauge and 6 wires at 26 gauge - with ElectroLynx® connectors (8 wire)  
 EL12 For 300, 3500, 200, and 100 series edge mount only.  
 2 wires at 22 gauge and 10 wires at 26 gauge - with ElectroLynx® connectors (12 wire)  
 \*We recommend an Electrical Transfer Access Prep (ETAP) with all ElectroLynx® modifications  
 Replacement wire harness available (EL4-REPLKIT, EL8-REPLKIT & EL12-REPLKIT)

*ElectroLynx®*

*As part of their promise to provide innovative, fast and effective high security solutions to their customers, certain ASSA ABLOY Group brands offer ElectroLynx®, a universal quick-connect system that simplifies the electrification of the door opening.*

*ElectroLynx® is a registered trademark of ASSA ABLOY Inc.*

### PoE (Power over Ethernet) ElectroLynx® Power and Data Transfer

PoE for most 3500, 600, 300, 200 and 100 series edge mount continuous hinges- with ElectroLynx® connectors (9 wire). Electrical Transfer Access Prep (ETAP) included.

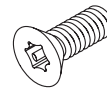
### ETAP Electrical Transfer Access Prep

Cutout prep for the AMS and EL modifications. This allows for easy, one-person access to wiring between the hinge and door



### Security Fasteners

Specify Torx or Torx-Pin security fasteners in lieu of standard fasteners  
 Contact factory for compatible models



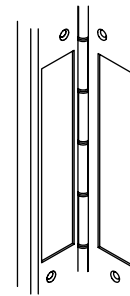
### CTP Current Transfer Prep

Centerline of hinge is standard location  
 Hinge leaf cutout to accommodate Markar's EPT Electric Power Transfer or other manufacturers' power transfer units  
 Please provide center line location (from top of hinge to centerline of prep) and handing for all prep locations - see CTP Form on Page 79  
 Order form required; available online.

### EPT Electric Power Transfer Units

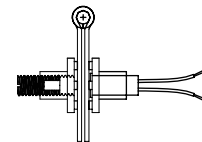
EL-EPT	Stamped steel, for up to 105° opening
EL-EPTL	Stamped steel, long for 180° opening
EL-EPT-SC	Stamped steel, for swing clear hinges
EL-CEPTx32D	Cast Stainless Steel, satin
EL-CEPTx10B	Cast Stainless Steel, oil rubbed bronze

12-Wire with ElectroLynx® connectors standard on all power transfer units  
 CTP prep is additional charge  
 Note: Ordering EPT unit does not constitute CTP prep on hinge  
 Order form required, available online.



### AMS Adjustable Monitoring Switch

Rigid welded assembly gives you the ability to adjust your monitoring switch to work with all applications 300 and 3500 Series  
 Rating: 30v AC/DC .25 amps MAX  
 We recommend an Electrical Transfer Access Prep (ETAP) with this modification.



Experience a safer and more open world

800-824-3018 | [www.pemko.com](http://www.pemko.com)  
 Check the web site for the up-to-date catalog

Copyright © 2015-2025, ASSA ABLOY Accessories and Door Controls Group, Inc., an ASSA ABLOY Group company. All rights reserved. Reproduction in whole or in part without the express written permission of ASSA ABLOY Accessories and Door Controls Group, Inc. is prohibited.



# MARKAR 3500 SERIES STAINLESS STEEL PIN & BARREL CONTINUOUS HINGES

## Short Form Architectural Specification:

Continuous hinges shall be full height piano-type hinge providing full height door support.

- Supports weights up to 900 lbs. 4'0" maximum door width
- Material to be 12 gauge (.105) Stainless Steel
- .187" diameter Stainless Steel pin (rod)
- Each knuckle 2", including nylon bearing at each separation for a quiet, smooth, self-lubricating operation
- Finish: US32D Satin Stainless Steel (630)  
Optional Finish: US32 Bright Stainless Steel (629), Scratch-Resistant Powder Coated Paint.
- All hinges shall be furnished with manufacturer's recommended hardware pack per specific model application
- Must be able to carry UL label for fire rated doors and frames up to 3 hours
- Hinges shall meet ANSI/BHMA Standard A 156.26 Grade 1
- Symmetrically templated hole pattern

*Note: 25-Year Warranty on Continuous Pin & Barrel Hinges*

*Note: Fire label for doors and frames should be placed on the header and top rail of fire rated doors and frames*

## MARKAR FM3500 EDGE MOUNT SECURITY HINGE

### Standard Features

#### Barrel Type Hinge

.187" diameter Stainless Steel pin (rod)  
Medical bearings  
Stainless Steel end pins

#### Material

Heavy-duty 12 gauge (.105") Stainless Steel

#### Finishes

US32D Satin Stainless Steel (630)

#### Hospital Tip

Standard

#### Standards

ANSI/BHMA Standard A156.26 Grade 1

#### Hole Pattern

Symmetrically templated

#### Mounting Hardware

Fasteners concealed when door is closed

Custom 12-24 x 7/16" S.S Phillips Flat Head Undercut Machine Screw

#### Capacity

Supports weights up to 900lbs. 4'0" maximum door width

#### Standard Sizes

6'8", 7'0", 7'2", 8'0", 10'0"

#### Handing

Handing not required on standard hinges. Specify handing when ordering a hinge with modification

#### Fire Rating

3 hours- hollow metal doors  
90 minutes- hollow metal and composite  
20 minutes- wood doors



Classified in accordance with UL10C for positive pressure



Fire-rated label

#### Windstorm

Evaluated in accordance with TAS 201-14, TAS 202-14, TAS 203-14, ASTM E330, ASTM E1886, ASTM E1996 and ANSI A250.13.

### Optional Features

#### Finish

US32 Bright Stainless Steel (629)  
Scratch-Resistant Powder Coated Paint

#### Hole Patterns

Plug weld hole pattern  
Custom hole pattern

#### Fasteners

Tamper-proof security screws

#### Other Features

Custom lengths - specify in inches  
Dutch door hinges - suffix "DDP"  
Raised barrel - suffix "RB"  
Welded End Pins  
Security studs

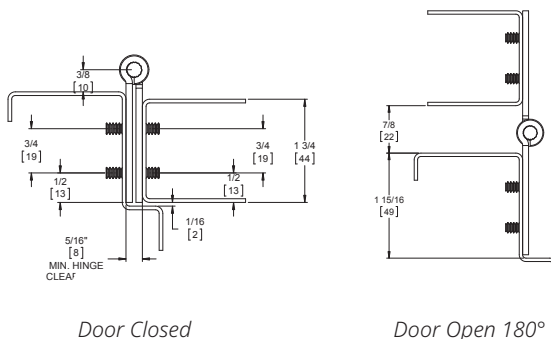
#### Electrical Modifications

Adjustable Monitoring Switch - suffix "AMS"  
Current Transfer Prep - suffix "CTP"  
Electrical Transfer Access Prep - "ETAP"

#### ElectroLynx®

EL4 (4 wire), EL8 (8 wire), EL12 (12 wire)  
PoE (9 wire)

This edge mount pin and barrel type hinge is fabricated with extra-heavy duty components for use on high traffic, high abuse doors. The hinge is specially designed and well suited for correctional facilities and other high security locations using up to 2 1/4" thick swing-type doors. Prison doors, gates, extremely tall doors and extra heavy doors are all good candidates for Markar's 3500 Security Hinge.



800-824-3018 | [www.pemko.com](http://www.pemko.com)

Check the web site for the up-to-date catalog

Copyright © 2015-2025, ASSA ABLOY Accessories and Door Controls Group, Inc., an ASSA ABLOY Group company. All rights reserved. Reproduction in whole or in part without the express written permission of ASSA ABLOY Accessories and Door Controls Group, Inc. is prohibited.

**PEMKO**  
**ASSA ABLOY**

Experience a safer  
and more open world

# MARKAR FS3501 1/8" INSET FULL SURFACE SECURITY HINGE

## Standard Features

### Barrel Type Hinge

.187" diameter Stainless Steel pin (rod)  
 Medical bearings  
 Stainless Steel end pins

### Material

Heavy-duty 12 gauge (.105")  
 Stainless Steel

### Finishes

US32D Satin Stainless Steel (630)  
 Hospital Tip Standard

### Standards

ANSI/BHMA Standard A156.26  
 Grade 1

### Mounting Hardware

Custom 12-24 x 7/16" S.S Phillips  
 Flat Head Undercut Machine  
 Screw

### Capacity

Supports weights up to 900lbs.  
 4'0" maximum door width

### Standard Sizes

6'8", 7'0", 7'2", 8'0", 10'0"

### Hole Pattern


Symmetrically templated

### Handing

Specify handing

### Fire Rating

3 hours- hollow metal doors  
 90 minutes- hollow metal and composite  
 20 minutes- wood doors

 Classified in accordance with UL10C  
 for positive pressure

 Fire-rated label

## Optional Features

### Finish

US32 Bright Stainless Steel (629)  
 Scratch-Resistant Powder Coated Paint

### Hole Patterns

Plug weld hole pattern  
 Custom hole pattern

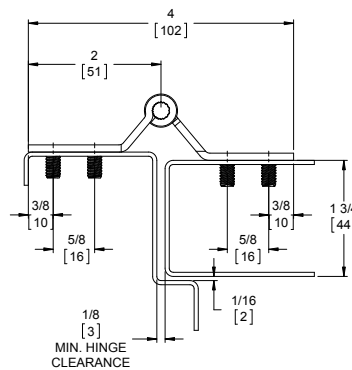
### Fasteners

Tamper-proof security screws

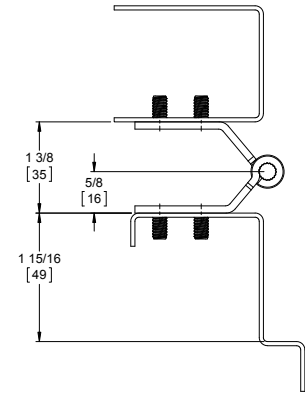
### Other Features

Custom lengths – specify in inches  
 Dutch door hinges – suffix "DDP"  
 Welded End Pins

For 1/8" inset doors. This hinge allows for perfect alignment for the retrofitting of doors in correctional facilities and other high security locations using 2" thick swing-type doors. Prison doors, gates, extremely tall doors and extra heavy doors are all good candidates for Markar's 3501 Security Hinge.



Door Closed



Door Open 180°



Experience a safer  
 and more open world

800-824-3018 | [www.pemko.com](http://www.pemko.com)  
 Check the web site for the up-to-date catalog

Copyright © 2015-2025, ASSA ABLOY Accessories and Door Controls Group, Inc., an ASSA ABLOY Group company. All rights reserved. Reproduction in whole or in part without the express written permission of ASSA ABLOY Accessories and Door Controls Group, Inc. is prohibited.

# MARKAR FS3502 FLUSH FULL SURFACE SECURITY HINGE

## Standard Features

### Barrel Type Hinge

.187" diameter Stainless Steel pin (rod)  
Stainless Steel end pins  
Medical bearings

### Material

Heavy-duty 12 gauge (.105")  
Stainless Steel

### Finishes

US32D Satin Stainless Steel (630)  
Hospital Tip Standard

### Standards

ANSI/BHMA Standard A156.26 Grade 1

### Mounting Hardware

Custom 12-24 x 7/16" S.S Phillips  
Flat Head Undercut Machine  
Screw

### Capacity

Supports weights up to 900lbs.  
4'0" maximum door width

### Standard Sizes

6'8", 7'0", 7'2", 8'0", 10'0"

### Hole Pattern

Symmetrically templated

### Handing

Handing not required on standard  
hinges Specify handing when  
ordering a hinge with modification

### Fire Rating

3 hours- hollow metal doors 90  
minutes- hollow metal and composite  
20 minutes- wood doors



Classified in accordance with  
UL10C for positive pressure



Fire-rated label

## Optional Features

### Finish

US32 Bright Stainless Steel (629)  
Scratch-Resistant Powder Coated Paint

### Hole Patterns

Plug weld hole pattern  
Custom hole pattern

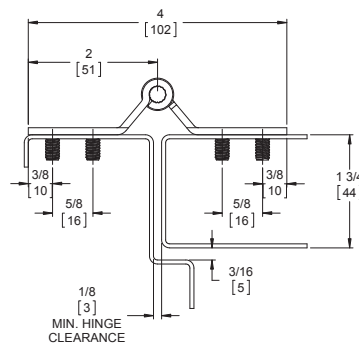
### Fasteners

Tamper-proof security screws

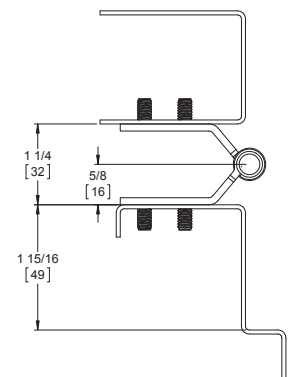
### Other Features

Custom lengths - specify in inches  
Dutch door hinges - suffix "DDP"  
Welded End Pins

This surface-mounted pin and barrel type hinge is fabricated with extra-heavy duty components and designed for solving door sag problems on high traffic, high abuse doors. This hinge is well suited for correctional facilities and other high security locations using 2" thick swing-type doors. Prison doors, gates extremely tall doors and extra heavy doors are all good candidates for Markar's 3502 Security Hinge.



Door Closed



Door Open 180°

800-824-3018 | [www.pemko.com](http://www.pemko.com)

Check the web site for the up-to-date catalog

Copyright © 2015-2025, ASSA ABLOY Accessories and Door Controls Group, Inc., an ASSA ABLOY Group company. All rights reserved.  
Reproduction in whole or in part without the express written permission of ASSA ABLOY Accessories and Door Controls Group, Inc. is prohibited.

**PEMKO**  
**ASSA ABLOY**

Experience a safer  
and more open world

# MARKAR HG3505 ADJUSTABLE HINGE GUARD

## Standard Features

### Barrel Type Hinge

.187" diameter Stainless Steel pin (rod)  
 Medical bearings  
 Stainless Steel end pins

### Material

Heavy-duty 12-gauge (.105") Stainless Steel hinge leaves  
 14 gauge Stainless Steel angle on door leaf

### Finishes

US32D Satin Stainless Steel (630)  
 Hospital Tip Standard

### Standards

ANSI/BHMA Standard A156.26  
 Grade 1

### Mounting Hardware

Custom 12-24 x <sup>7</sup>/<sub>16</sub>" S.S Phillips Flat Head Undercut Machine Screw

### Capacity

Supports weights up to 900lbs.  
 4'0" maximum door width

### Standard Sizes

6'8", 7'0", 7'2", 8'0", 10'0"

### Hole Pattern

Symmetrically templated

### Handing

Specify handing



### Fire Rating

3 hours- hollow metal doors  
 90 minutes- hollow metal and composite 20 minutes- wood doors



Classified in accordance with UL10C for positive pressure

Fire-rated label

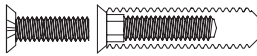
## Optional Features

### Finish

US32 Bright Stainless Steel (629)  
 Scratch-Resistant Powder Coated Paint

### Mounting Hardware

Tamper-proof security screws  
 Adjust-A-Screw™ for correcting alignment problems up to <sup>3</sup>/<sub>8</sub>"



### Other Features

Custom lengths – specify in inches  
 Custom hole pattern  
 Dutch door hinges – suffix "DDP"  
 Raised barrel - suffix "RB"  
 Welded end pins  
 Security studs

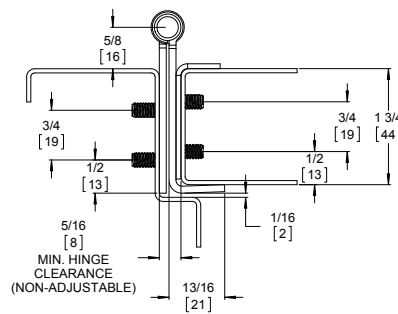
### Electrical Modifications

Adjustable Monitoring Switch - suffix "AMS"  
 Current Transfer Prep - suffix "CTP"  
 Electronic Transfer Access Prep - suffix "ETAP"

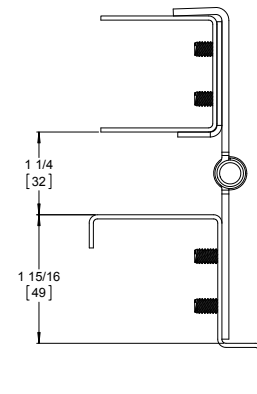
### ElectroLynx®

EL4 (4 wire), EL8 (8 wire), EL12 (12 wire)  
 PoE (9 wire)

The integral hinge guard protects the door from dings and gouges from carts and gurneys while providing clean lines and aesthetic appearance. Our HG products also have fire ratings up to and including 3 hours.



Door Closed



Door Open 180°



Experience a safer and more open world

800-824-3018 | www.pemko.com  
 Check the web site for the up-to-date catalog

Copyright © 2015-2025, ASSA ABLOY Accessories and Door Controls Group, Inc., an ASSA ABLOY Group company. All rights reserved. Reproduction in whole or in part without the express written permission of ASSA ABLOY Accessories and Door Controls Group, Inc. is prohibited.

# MARKAR 600 SERIES STAINLESS STEEL PIN & BARREL CONTINUOUS HINGES

## Short Form Architectural Specification:

Continuous hinges shall be full height piano-type hinge providing full height door support.

- Supports weights up to 600 lbs. 4' 0" maximum door width
- Material to be 14 gauge 316 Stainless Steel
- .187" diameter Stainless Steel pin (rod)
- Exterior barrel diameter .438" (7/16")
- Each knuckle 2", including nylon bearing at each separation for a quiet, smooth, self-lubricating operation
- Finish: US32D Satin Stainless Steel (630)  
Optional Finish: US32 Bright Stainless Steel (629), Scratch-Resistant Powder Coated Paint.
- All hinges shall be furnished with manufacturer's recommended hardware pack per specific model application
- Must be able to carry Warnock Hersey Int. or UL for fire rated doors and frames up to 3 hours
- Hinges shall meet ANSI/BHMA Standard A 156.26 Grade 1
- Symmetrically templated hole pattern

NOTE: 25-Year Warranty on Continuous Pin & Barrel Hinges

NOTE: Fire label for doors and frames should be placed on the header and top rail of fire rated doors and frames

# MARKAR FM600 316 SS EDGE MOUNT HINGE

## Standard Features

### Barrel Type Hinge

.187" diameter Stainless Steel pin (rod)  
Medical bearings  
Stainless Steel end pins

### Material

Heavy duty 14 gauge 316 stainless steel

### Finishes

US32D Satin Stainless Steel (630)

### Standards

ANSI/BHMA Standard A156.26 Grade 1

### Hole Pattern

Symmetrically templated

### Mounting Hardware

Fasteners concealed when door is closed  
Custom 12-24 x 11/16" S.S Phillips Flat Head Undercut TEK Screws

### Capacity

Supports weights up to 600 lbs. 4'0" maximum door width

### Standard Sizes

6'8", 7'0", 7'2", 8'0", 10'0"

### Handing

Handing not required on standard hinges. Specify handing when ordering a hinge with modification.

### Rating

3 hours- hollow metal doors 90 minutes- hollow metal and composite core wood fire doors  
20 minutes- wood doors



Classified in accordance with UL10C for positive pressure

Fire-rated label

### Windstorm

Evaluated in accordance with TAS 201-14, TAS 202-14, TAS 203-14, ASTM E330, ASTM E1886, ASTM E1996 and ANSI A250.13

## Optional Features

### Finishes

Scratch-Resistant Powder Coated Paint

### Fasteners

Tamper-proof security screws

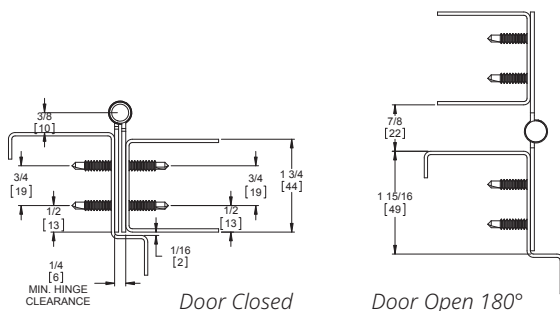
### Other Features

Custom lengths- specify in inches  
Custom hole pattern  
Dutch door hinges- suffix "DDP"  
Hospital tips - suffix "HT"  
Raised barrel - suffix "RB"  
Welded end pins  
Security studs.

### Electrical Modifications

Adjustable Monitoring Switch - "AMS"  
Current Transfer Prep - suffix "CTP"  
Electrical Transfer Access Prep - suffix "ETAP"  
**ElectroLynx®**  
EL4 (4 wire), EL8 (8 wire), EL12 (12 wire)  
PoE (9 wire)

This superior corrosion resistant edge mounted pin & barrel hinge is used in high chloride, sodium and sulfurous acid environments. This hinge works well in marine type environments.



800-824-3018 | www.pemko.com

Check the web site for the up-to-date catalog

Copyright © 2015-2025, ASSA ABLOY Accessories and Door Controls Group, Inc., an ASSA ABLOY Group company. All rights reserved. Reproduction in whole or in part without the express written permission of ASSA ABLOY Accessories and Door Controls Group, Inc. is prohibited.

**PEMKO**  
**ASSA ABLOY**

Experience a safer  
and more open world

# MARKAR 300 SERIES STAINLESS STEEL PIN & BARREL CONTINUOUS HINGES

## Short Form Architectural Specification:

Continuous hinges shall be full height piano-type hinge providing full height door support.

- Supports weights up to 600 lbs. 4' 0" maximum door width
- Material to be 14 gauge Stainless Steel
- .187" diameter Stainless Steel pin (rod)
- Exterior barrel diameter .438" (7/16")
- Each knuckle 2", including nylon bearing at each separation for a quiet, smooth, self-lubricating operation
- Finish: US32D Satin Stainless Steel (630)  
Optional Finish: US32 Bright Stainless Steel (629), Scratch-Resistant Powder Coated Paint.
- All hinges shall be furnished with manufacturer's recommended hardware pack per specific model application
- Must be able to carry Warnock Hersey Int. or UL for fire rated doors and frames up to 3 hours
- Hinges shall meet ANSI/BHMA Standard A 156.26 Grade 1
- Symmetrically templated hole pattern

NOTE: 25-Year Warranty on Continuous Pin & Barrel Hinges

NOTE: Fire label for doors and frames should be placed on the header and top rail of fire rated doors and frames

# MARKAR FM300 EDGE MOUNT HINGE

## Standard Features

### Barrel Type Hinge

.187" diameter Stainless Steel pin (rod)  
Medical bearings  
Stainless Steel end pins

### Material

Heavy-duty 14 gauge Stainless Steel

### Finishes

US32D Satin Stainless Steel (630)

### Standards

ANSI/BHMA Standard A156.26 Grade 1

### Hole Pattern

Symmetrically templated

### Mounting Hardware

Fasteners concealed when door is closed  
Custom 12-24 x 11/16" S.S Phillips Flat Head Undercut TEK Screws

### Capacity

Supports weights up to 600 lbs.  
4'0" maximum door width

### Standard Sizes

6'8", 7'0", 7'2", 8'0", 10'0"

### Handing

Handing not required on standard hinges. Specify handing when ordering a hinge with modification.

### Rating

3 hours- hollow metal doors 90 minutes- hollow metal and composite core wood fire doors



20 minutes- wood doors

Classified in accordance with UL10C for positive pressure



Fire-rated label

Windstorm

Evaluated in accordance with TAS 201-94, TAS 202-94, TAS 203-94, ASTM E330, ASTM E1886, ASTM E1996 and ANSI A250.13

## Optional Features

### Finishes

Scratch-Resistant Powder Coated Paint

### Fasteners

Tamper-proof security screws

### Other Features

Custom lengths- specify in inches  
Custom hole pattern  
Dutch door hinges- suffix "DDP"  
Hospital tips - suffix "HT"  
Raised barrel - suffix "RB"  
Welded end pins  
Security studs.

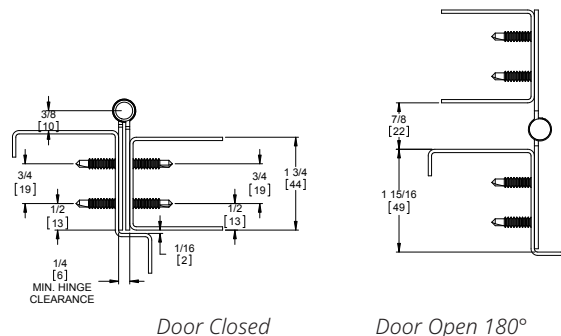
### Electrical Modifications

Adjustable Monitoring Switch - "AMS"  
Current Transfer Prep - suffix "CTP"  
Electrical Transfer Access Prep - suffix "ETAP"

### ElectroLynx®

EL4 (4 wire), EL8 (8 wire), EL12 (12 wire)  
PoE (9 wire)

This edge-mounted pin & barrel hinge is used on many of today's high traffic, high abuse doors. The hinge works well in locations that would normally call out for anchor hinges, pivot reinforcement hinges or thrust pivot unit and hinge sets. This hinge saves on special door and frame preparation charges and makes the installer's job easier. It can be used on both fire labeled and non-labeled openings.



Experience a safer and more open world

800-824-3018 | www.pemko.com  
Check the web site for the up-to-date catalog

Copyright © 2015-2025, ASSA ABLOY Accessories and Door Controls Group, Inc., an ASSA ABLOY Group company. All rights reserved. Reproduction in whole or in part without the express written permission of ASSA ABLOY Accessories and Door Controls Group, Inc. is prohibited.

# MARKAR FM300WT WIDE THROW EDGE MOUNT HINGES

## Standard Features

### Barrel Type Hinge

.187" diameter Stainless Steel pin (rod)  
 Medical bearings  
 Stainless Steel end pins

### Material

Heavy-duty 14 gauge Stainless Steel  
 Heavy-duty 12 gauge support angles, where applicable

### Finishes

US32D Satin Stainless Steel (630)

### Standards

ANSI/BHMA Standard A156.26 Grade 1

### Mounting Hardware

Custom 12-24 x 1<sup>1</sup>/<sub>16</sub>" S.S Phillips  
 Flat Head Undercut TEK Screws

### Capacity

Weight: Consult factory  
 4'0" maximum door width

### Standard Sizes

6'8", 7'0", 7'2", 8'0", 10'0"

### Hole Pattern

Symmetrically templated

### Handing

Handing not required on standard hinges. Specify handing when ordering a hinge with modification

### Fire Rating

3 hours- hollow metal doors  
 90 minutes- hollow metal and composite core wood fire doors  
 20 minutes- wood doors



Classified in accordance with UL10C for positive pressure



Fire-rated label

## Optional Features

### Finishes

Scratch-Resistant Powder Coated Paint

### Fasteners

Tamper-proof security screws

### Other Features

Custom lengths- specify in inches

Custom hole pattern

Dutch door hinges- suffix "DDP"

Hospital tips - suffix "HT"

Welded end pins

Security studs

### Electrical Modifications

Adjustable Monitoring Switch - suffix "AMS"

Current Transfer Prep - suffix "CTP"

Electrical Transfer Access Prep - suffix "ETAP"

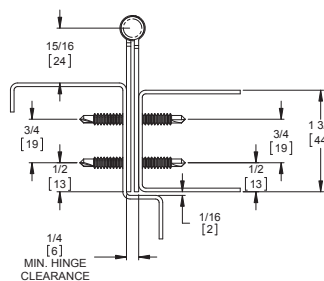
### ElectroLynx®

EL4 (4 wire), EL8 (8 wire), EL12 (12 wire)

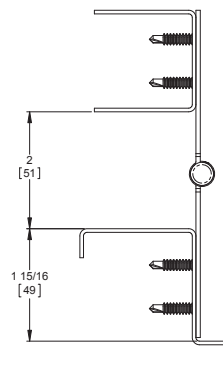
- Available for WT10
- Available only with ETAP for all other WT models; extended lead times apply

This edge-mounted pin & barrel hinge is used on many of today's high traffic, high abuse doors. The hinge works well in locations that would normally call out for anchor hinges, pivot reinforcement hinges or thrust pivot unit and hinge sets. This hinge saves on special door and frame preparation charges and makes the installer's job easier. It can be used on both fire labeled and non-labeled openings.

FM300WT10



Door Closed

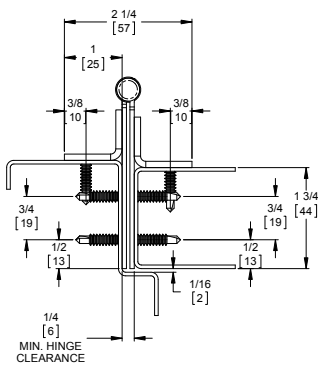


Door Open 180°

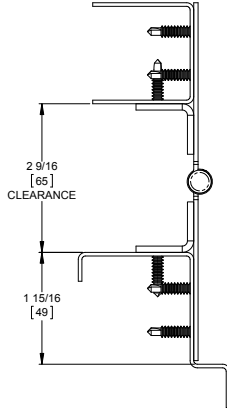
More profiles on next page

# MARKAR FM300WT WIDE THROW EDGE MOUNT HINGES *(Cont.)*

**FM300WT20**

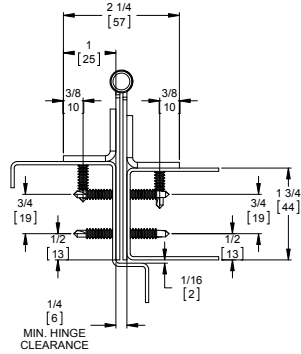


*Door Closed*

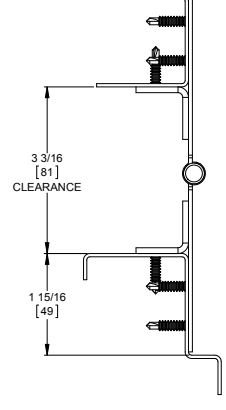


*Door Open 180°*

**FM300WT30**

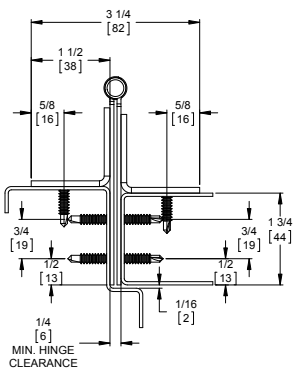


*Door Closed*

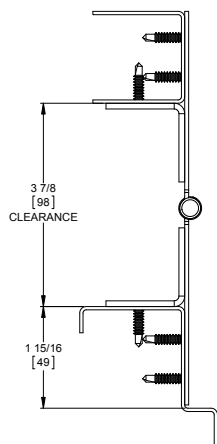


*Door Open 180°*

**FM300WT40**

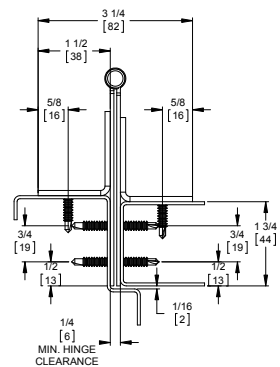


*Door Closed*

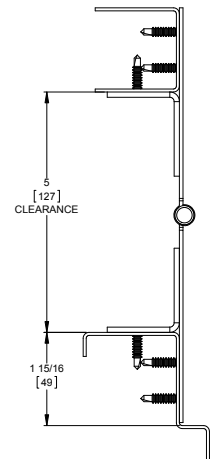


*Door Open 180°*

**FM300WT50**



*Door Closed*



*Door Open 180°*



Experience a safer  
and more open world

800-824-3018 | [www.pemko.com](http://www.pemko.com)  
Check the web site for the up-to-date catalog

Copyright © 2015-2025, ASSA ABLOY Accessories and Door Controls Group, Inc., an ASSA ABLOY Group company. All rights reserved. Reproduction in whole or in part without the express written permission of ASSA ABLOY Accessories and Door Controls Group, Inc. is prohibited.



# MARKAR FS301 1/8" INSET FULL SURFACE HINGE

## Standard Features

### Barrel Type Hinge

.187" diameter Stainless Steel pin (rod)  
Medical bearings  
Stainless Steel end pins

### Material

Heavy-duty 14 gauge Stainless Steel  
Cover - extruded aluminum

### Finishes

US32D Satin Stainless Steel (630)  
Cover - brushed aluminum

### Standards

ANSI/BHMA Standard A156.26 Grade 1

### Mounting Hardware

Fasteners concealed underneath  
aluminum cover  
1/4"-14 x 3/4" Security TORX  
TEK Screws

### Capacity

Supports weights up to 600 lbs.  
4'0" maximum door width

### Standard Sizes

6'8", 7'0", 7'2", 8'0", 10'0"

### Handing

Not required for standard 7'0",  
8'0" or 10'0". Handing required for  
6'8" and 7'2" and for most optional  
features listed

### Fire Rating

3 hours- hollow metal doors  
90 minutes- hollow metal and composite  
core wood fire doors  
20 minutes- wood doors



Classified in accordance with  
UL10C for positive pressure  
Fire-rated label

## Optional Features

### Finishes

US32 Bright Stainless Steel (629)  
Scratch-Resistant Powder Coated Paint

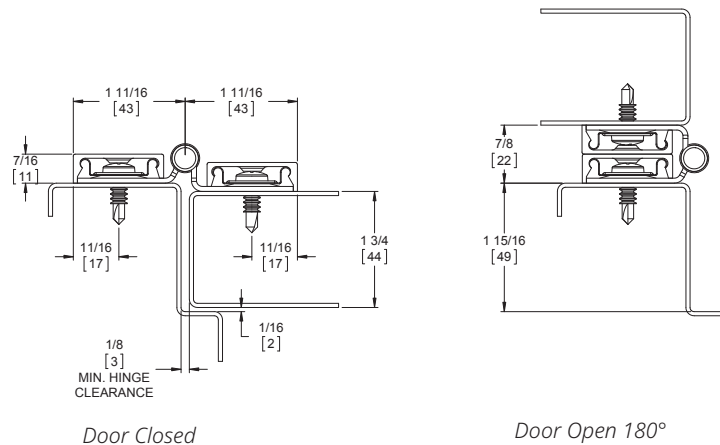
### Fasteners

1 5/8" S.S. sleeve bolts  
Tamper-proof security screws

### Other Features

Custom lengths- specify in inches  
Custom hole pattern  
Dutch door hinges - suffix "DDP"  
Hospital tips - suffix "HT"  
Lead lined covers with 4 lbs. lead  
lining - suffix "LL"  
Welded end pins

This surface-mounted pin & barrel continuous hinge can be used to repair or replace existing hinges on both fire labeled and non-labeled doors that have very tight clearances. The hinge has a built-in 1/8" offset to assist in weather seal and sound barrier areas.



# MARKAR FS302 FULL SURFACE FLUSH MOUNT

## Standard Features

### Barrel Type Hinge

.187" diameter Stainless Steel pin (rod)  
 Medical bearings  
 Stainless Steel end pins

### Material

Heavy-duty 14 gauge Stainless Steel  
 Cover - extruded aluminum

### Finishes

US32D Satin Stainless Steel (630)  
 Cover - brushed aluminum

### Standards

ANSI/BHMA Standard A156.26 Grade 1

### Mounting Hardware

Fasteners concealed underneath  
 aluminum cover  
 $\frac{1}{4}$ " - 14 x  $\frac{3}{4}$ " Security TORX  
 TEK Screws Capacity  
 Supports weights up to 600 lbs.  
 4'0" maximum door width

### Standard Sizes

6'8", 7'0", 7'2", 8'0", 10'0"

### Hole Pattern

Symmetrically templated

### Handing

Handing not required on standard  
 hinges. Specify handing when  
 ordering a hinge with modification

### Fire Rating

3 hours- hollow metal doors  
 90 minutes- hollow metal and  
 composite core wood fire doors  
 20 minutes- wood doors



Classified in accordance with  
 UL10C for positive pressure  
 Fire-rated label

## Optional Features

### Finishes

US32 Bright Stainless Steel (629)  
 Scratch-Resistant Powder Coated Paint

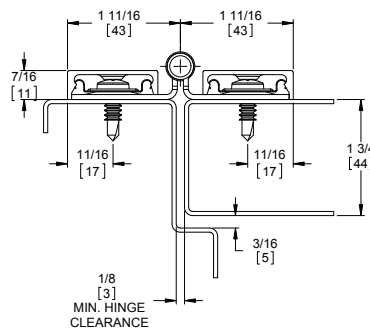
### Fasteners

$1\frac{5}{8}$ " S.S. sleeve bolts  
 Tamper-proof security screws

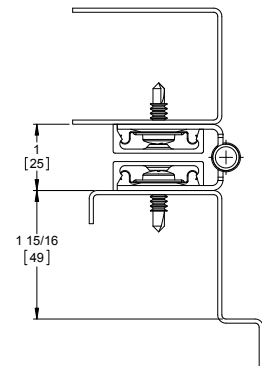
### Other Features

Custom lengths- specify in inches  
 Custom hole pattern  
 Dutch door hinges - suffix "DDP"  
 Hospital tips - suffix "HT"  
 Lead lined covers with 4 lbs. lead  
 lining - suffix "LL"  
 Welded end pins

This surface-mounted pin & barrel  
 continuous hinge can be used to  
 replace and repair existing hinges  
 on both fire labeled and non-labeled  
 doors. Designed for retrofit market.



Door Closed



Door Open 180°



Experience a safer  
 and more open world

800-824-3018 | [www.pemko.com](http://www.pemko.com)  
 Check the web site for the up-to-date catalog

Copyright © 2015-2025, ASSA ABLOY Accessories and Door Controls Group, Inc., an ASSA ABLOY Group company. All rights reserved.  
 Reproduction in whole or in part without the express written permission of ASSA ABLOY Accessories and Door Controls Group, Inc. is prohibited.

# MARKAR HS303 HALF SURFACE HINGE

## Standard Features

### Barrel Type Hinge

.187" diameter Stainless Steel pin (rod)  
 Medical bearings  
 Stainless Steel end pins

### Material

Heavy-duty 14 gauge Stainless Steel  
 Cover - extruded aluminum

### Finishes

US32D Satin Stainless Steel (630)  
 Cover - brushed aluminum

### Standards

ANSI/BHMA Standard A156.26 Grade 1

### Mounting Hardware

Fasteners concealed when door is closed  
 Custom 12-24 x 11/16" S.S Phillips Flat Head Undercut TEK Screws & 1/4-14 x 3/4" Security TORX TEK Screws

### Capacity

Supports weights up to 600 lbs.  
 4'0" maximum door width

### Sizes

6'8", 7'0", 7'2", 8'0", 10'0"

### Hole Pattern

Symmetrically templated

### Handing

Not required for standard 7'0", 8'0" or 10'0". Handing required for 6'8" and 7'0" and for most optional features listed

### Fire Rating

3 hours- hollow metal doors  
 90 minutes- hollow metal and composite  
 20 minutes- wood doors



Classified in accordance with UL10C for positive pressure



Fire-rated label

## Optional Features

### Finish

US32 Bright Stainless Steel (629)  
 Scratch-Resistant Powder Coated Paint

### Fasteners

1 5/8" S.S. sleeve bolts  
 Tamper-proof security screws

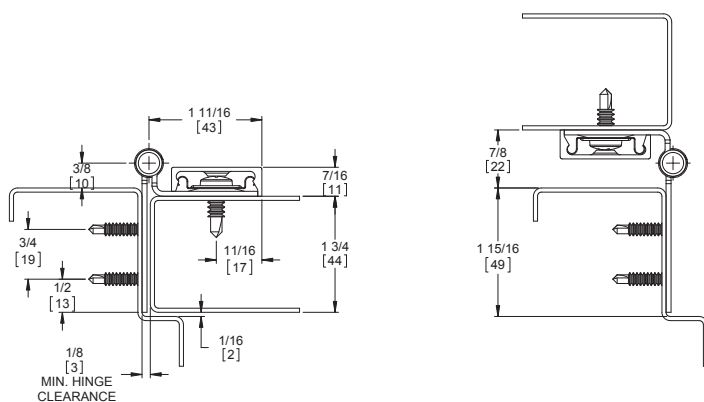
### Other Features

Custom lengths - specify in inches  
 Custom hole pattern  
 Dutch door hinges - suffix "DDP"  
 Hospital tips - suffix "HT"  
 Raised barrel - suffix "RB"  
 Welded end pins  
 Lead lined cover with 4 lbs. lead lining - suffix "LL"

### Electrical Modifications

Current Transfer Prep (frame leaf only) - suffix "CTP"

This half-surface pin & barrel continuous hinge can be used to repair or replace existing hinges on both fire labeled openings. The hinge fits into the gap left after standard butt hinges are removed. It can assist in reversing the handing of a door, or to reverse the swing of a door hung in an evenly-rabbetted frame. (Please consult factory for instructions for unevenly-rabbetted frames.)



Door Closed

Door Open 180°

800-824-3018 | www.pemko.com

Check the web site for the up-to-date catalog

Copyright © 2015-2025, ASSA ABLOY Accessories and Door Controls Group, Inc., an ASSA ABLOY Group company. All rights reserved. Reproduction in whole or in part without the express written permission of ASSA ABLOY Accessories and Door Controls Group, Inc. is prohibited.



Experience a safer and more open world

# MARKAR HM304 HALF MORTISE HINGE

## Standard Features

### Barrel Type Hinge

.187" diameter Stainless Steel pin (rod)  
 Medical bearings  
 Stainless Steel end pins

### Material

Heavy-duty 14 gauge Stainless Steel  
 Cover - extruded aluminum

### Finishes

US32D Satin Stainless Steel (630)  
 Cover - brushed aluminum

### Standards

ANSI/BHMA Standard A156.26 Grade 1

### Mounting Hardware

Fasteners concealed when door is closed  
 Custom 12-24 x 1<sup>11</sup>/<sub>16</sub>" S.S Phillips Flat Head Undercut TEK Screws & 1<sup>1</sup>/<sub>4</sub>-14 x 3<sup>3</sup>/<sub>4</sub>" Security TORX TEK Screws

### Capacity

Supports weights up to 600 lbs.  
 4'0" maximum door width

### Standard Sizes

6'8", 7'0", 7'2", 8'0", 10'0"

### Hole Pattern

Symmetrically templated

### Handing

Not required for standard 7'0", 8'0" or 10'0". Handing required for 6'8" and 7'2" and for most optional features listed

### Fire Rating

3 hours- hollow metal doors  
 90 minutes- hollow metal and composite  
 20 minutes- wood doors



Classified in accordance with UL10C for positive pressure



Fire-rated label

## Optional Features

### Finishes

US32 Bright Stainless Steel (629)  
 Scratch-Resistant Powder Coated Paint

### Fasteners

Tamper-proof security screws

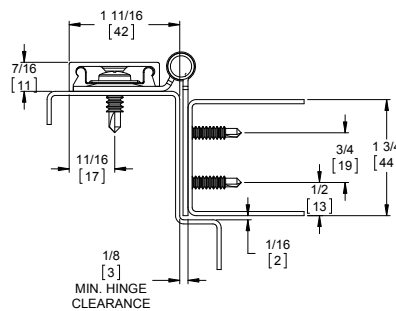
### Other Features

Custom lengths- specify in inches  
 Custom hole pattern  
 Dutch door hinges- suffix "DDP"  
 Hospital tips - suffix "HT"  
 Raised barrel - suffix "RB"  
 Welded end pins

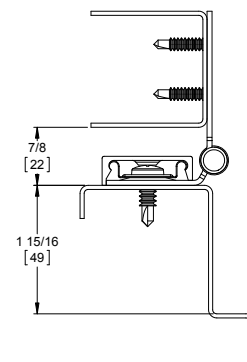
### Electrical Modifications

Current Transfer Prep (door leaf only)  
 - suffix "CTP"

This pin & barrel type hinge is used on wooden doors to hide splits, chips and dents from traffic abuse. The surface mounted frame leaf allows for easy retrofit installation.



Door Closed



Door Open 180°



Experience a safer and more open world

800-824-3018 | [www.pemko.com](http://www.pemko.com)  
 Check the web site for the up-to-date catalog

Copyright © 2015-2025, ASSA ABLOY Accessories and Door Controls Group, Inc., an ASSA ABLOY Group company. All rights reserved. Reproduction in whole or in part without the express written permission of ASSA ABLOY Accessories and Door Controls Group, Inc. is prohibited.

# MARKAR HG305 ADJUSTABLE HINGE GUARD

## Standard Features

### Barrel Type Hinge

.187" diameter Stainless Steel pin (rod)  
 Medical bearings  
 Stainless Steel end pins

### Material

Heavy-duty 14 gauge Stainless Steel  
 Finishes  
 US32D Satin Stainless Steel (630)

### Standards

ANSI/BHMA Standard A156.26 Grade 1

### Mounting Hardware

Fasteners concealed when door is closed  
 Custom 12-24 x 1<sup>1</sup>/<sub>16</sub>" S.S Phillips Flat Head Undercut TEK Screws

### Capacity

Supports weights up to 600 lbs.  
 4'0" maximum door width

### Standard Sizes

6'8", 7'0", 7'2", 8'0", 10'0"

### Hole Pattern

Symmetrically templated

### Handing

Not required for standard 7'0", 8'0" or 10'0". Handing required for 6'8" and 7'2" and for most optional features listed

### Fire Rating

3 hours- hollow metal doors  
 90 minutes- hollow metal and composite  
 20 minutes- wood doors



Classified in accordance with UL10C for positive pressure



Fire-rated label

### Windstorm

Products is constructed in accordance with Guidelines FEMA 320 & FEMA 361.

## Optional Features

### Finish

US32 Bright Stainless Steel (629)  
 Scratch-Resistant Powder Coated Paint

### Fasteners

Adjust-A-Screw™ for correcting frame fit problems up to 3/8"

### Other Features

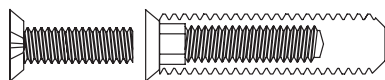
Custom lengths- specify in inches  
 Custom hole pattern  
 Dutch door hinges- suffix "DDP"  
 Hospital tips – suffix "HT"  
 Raised barrel – suffix "RB"  
 Welded end pins  
 Security studs

### Electrical Modifications

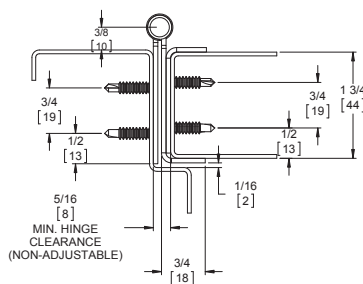
Adjustable Monitoring Switch - suffix "AMS"  
 Current Transfer Prep - suffix "CTP"  
 Electrical Transfer Access Prep - suffix "ETAP"

### ElectroLynx®

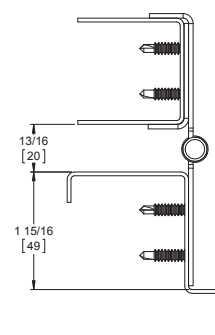
EL4 (4 wire), EL8 (8 wire), EL12 (12 wire)  
 PoE (9 wire)



The integral hinge guard protects the door from dings and gouges from carts and gurneys while providing clean lines and aesthetic appearance. Our HG products also have fire ratings up to and including 3 hours. Not only that, but the wrap-around edge guard protects the door from unsightly dents and gouges and will deflect objects, preventing further damage.



Door Closed



Door Open 180°

800-824-3018 | [www.pemko.com](http://www.pemko.com)

Check the web site for the up-to-date catalog

Copyright © 2015-2025, ASSA ABLOY Accessories and Door Controls Group, Inc., an ASSA ABLOY Group company. All rights reserved. Reproduction in whole or in part without the express written permission of ASSA ABLOY Accessories and Door Controls Group, Inc. is prohibited.

**PEMKO**  
**ASSA ABLOY**

Experience a safer  
 and more open world

# MARKAR FS/SC309 FULL SURFACE SWING CLEAR HINGE

## Standard Features

### Barrel Type Hinge

.187" diameter Stainless Steel pin (rod)  
 Medical bearings  
 Stainless Steel end pins

### Material

Heavy-duty 14 gauge Stainless Steel  
 Cover - extruded aluminum

### Finishes

US32D Satin Stainless Steel (630)  
 Cover - brushed aluminum

### Standards

ANSI/BHMA Standard A156.26 Grade 1

### Mounting Hardware

Fasteners concealed when door is closed  
 Custom 12-24 x 11/16" S.S Phillips Flat Head Undercut TEK Screws & 1/4-14 x 3/4" Security TORX TEK Screws

### Capacity

Supports weights up to 600 lbs.  
 4'0" maximum door width

### Standard Sizes

6'8", 7'0", 7'2", 8'0", 10'0"

### Hole Pattern

Symmetrically templated

### Handing

Not required for standard 7'0", 8'0" or 10'0". Specify handing for 6'8" and 7'2" and for most optional features

### Fire Rating

3 hours- hollow metal doors  
 90 minutes- hollow metal and composite  
 20 minutes- wood doors



Classified in accordance with UL10C for positive pressure



Fire-rated label

## Optional Features

### Finish

US32 Bright Stainless Steel (629)  
 Scratch-Resistant Powder Coated Paint

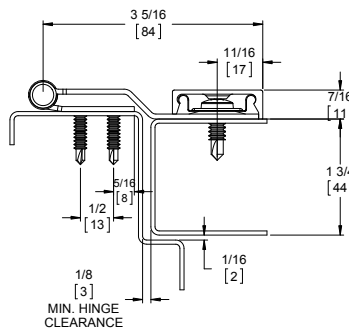
### Fasteners

Tamper-proof security screws

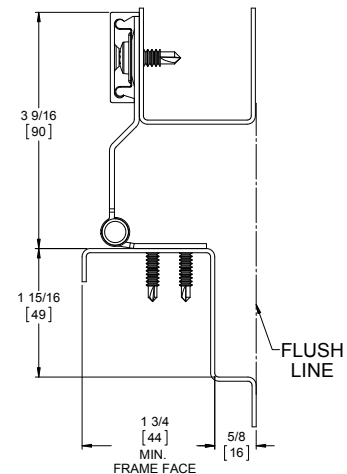
### Other Features

Custom lengths- specify in inches  
 Custom hole pattern  
 1 5/8" S.S. aluminum sleeve bolts  
 Dutch door hinges - suffix "DDP"  
 Hospital tips - suffix "HT"  
 Lead lined cover with 4 lbs. lead lining - suffix "LL"  
 Welded End Pins

This hinge is used to ensure that a door opened to a 90-degree angle is removed from the opening. This hinge will mount on a 1 3/4" face, and is especially useful for ADA upgrade work.



Door Closed



Door Open 90°



Experience a safer and more open world

800-824-3018 | [www.pemko.com](http://www.pemko.com)  
 Check the web site for the up-to-date catalog

Copyright © 2015-2025, ASSA ABLOY Accessories and Door Controls Group, Inc., an ASSA ABLOY Group company. All rights reserved. Reproduction in whole or in part without the express written permission of ASSA ABLOY Accessories and Door Controls Group, Inc. is prohibited.

# MARKAR HG310 SWING CLEAR ADJUSTABLE HINGE GUARD

## Standard Features

### Barrel Type Hinge

.187" diameter Stainless Steel pin (rod)  
Medical bearings  
Stainless Steel end pins

### Material

Heavy-duty 14 gauge Stainless Steel  
Finishes  
US32D Satin Stainless Steel (630)

### Standards

ANSI/BHMA Standard A156.26 Grade 1

### Mounting Hardware

Fasteners concealed when door is closed  
Custom 12-24 x 1<sup>1</sup>/<sub>16</sub>" S.S Phillips Flat Head Undercut TEK Screws

### Capacity

Supports weights up to 600 lbs.  
4'0" maximum door width

### Standard Sizes

6'8", 7'0", 7'2", 8'0", 10'0"

### Hole Pattern

Symmetrically templated

### Handing

Not required for standard 7'0", 8'0" or 10'0". Specify handing for 6'8" and 7'2" and for most optional features

### Door Edge

Square hinge edge  
Recommend Adjust-A-Screw for beveled hinge edge

### Fire Rating

3 hours- hollow metal doors  
90 minutes- hollow metal and composite core wood fire doors  
20 minutes- wood doors



Classified in accordance with UL10C for positive pressure



Fire-rated label

## Optional Features

### Finishes

US32 Bright Stainless Steel (629)  
Scratch-Resistant Powder Coated Paint

### Fasteners

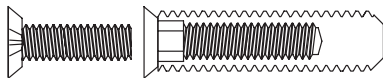
Tamper-proof security screws  
Adjust-A-Screws™ for correcting frame fit problems up to 3/8"

### Other Features

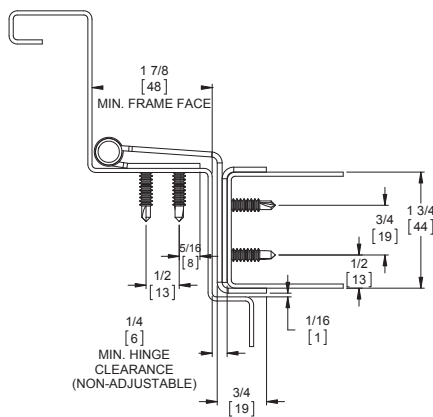
Custom lengths- specify in inches  
Custom hole pattern  
Dutch door hinges - suffix "DDP"  
Hospital tips - suffix "HT"  
Welded End Pins

### Electrical Modifications

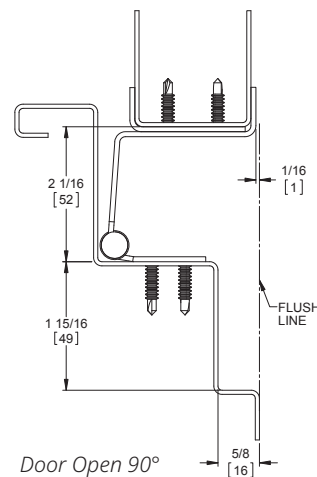
Current Transfer Prep (door leaf only) - suffix "CTP"  
(EL-EPT-SC Power Transfer Recommended)



The ADA-compliant hinge is used on operating room doors to swing the door out of the opening when moving equipment in and out. The hinge guard also protects the door in the open position.



Door Closed



Door Open 90°

800-824-3018 | [www.pemko.com](http://www.pemko.com)

Check the web site for the up-to-date catalog

Copyright © 2015-2025, ASSA ABLOY Accessories and Door Controls Group, Inc., an ASSA ABLOY Group company. All rights reserved. Reproduction in whole or in part without the express written permission of ASSA ABLOY Accessories and Door Controls Group, Inc. is prohibited.

**PEMKO**  
**ASSA ABLOY**

Experience a safer  
and more open world

# MARKAR HG311 SWING CLEAR HINGE GUARD

## Standard Features

### Barrel Type Hinge

.187" diameter Stainless Steel pin (rod)  
 Medical bearings  
 Stainless Steel end pins

### Material

Heavy-duty 14 gauge Stainless Steel

### Finishes

US32D Satin Stainless Steel (630)

### Standards

ANSI/BHMA Standard A156.26 Grade 1

### Mounting Hardware

Fasteners concealed when door is closed  
 Custom 12-24 x 1<sup>1</sup>/<sub>16</sub>" S.S Phillips Flat Head Undercut TEK Screws

### Capacity

Supports weights up to 600 lbs.  
 4'0" maximum door width

### Standard Sizes

6'8", 7'0", 7'2", 8'0", 10'0"

### Hole Pattern

Symmetrically templated

### Handing

Not required for standard 7'0", 8'0" or 10'0". Specify handing for 6'8" and 7'2" and for most optional features

### Door Edge

Square hinge edge  
 For beveled hinge edge use HG310

### Fire Rating

3 hours- hollow metal doors  
 90 minutes- hollow metal and composite core wood fire doors  
 20 minutes- wood doors



Classified in accordance with UL10C for positive pressure



Fire-rated label

## Optional Features

### Finishes

US32 Bright Stainless Steel (629)  
 Scratch-Resistant Powder Coated Paint

### Fasteners

Tamper-proof security screws

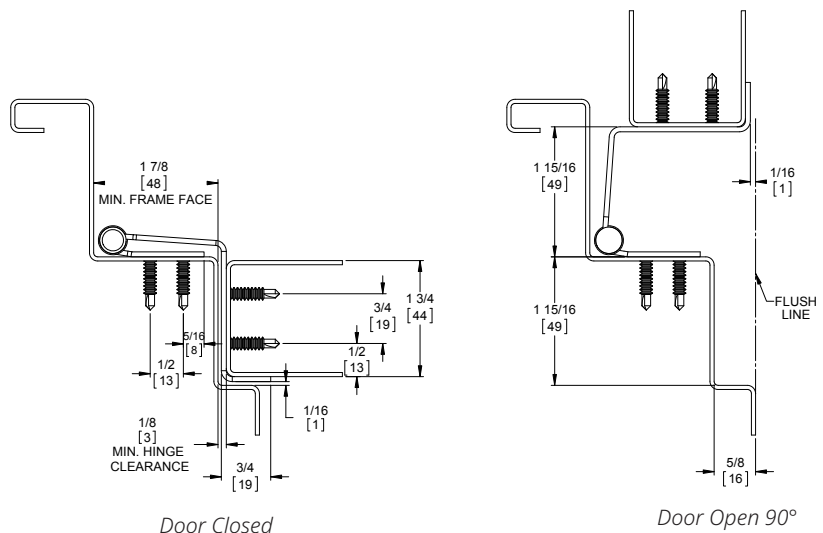
### Other Features

Custom lengths- specify in inches  
 Custom hole pattern  
 Dutch door hinges - suffix "DDP"  
 Hospital tips - suffix "HT"  
 Welded End Pins

### Electrical Modifications

Current Transfer Prep (door leaf only) - suffix "CTP"  
 (EL-EPT-SC Power Transfer Recommended)

This surface applied swing clear version allows doors to meet ADA requirements. The single wrap protects door edges from cart damage.



Experience a safer and more open world

800-824-3018 | [www.pemko.com](http://www.pemko.com)  
 Check the web site for the up-to-date catalog

Copyright © 2015-2025, ASSA ABLOY Accessories and Door Controls Group, Inc., an ASSA ABLOY Group company. All rights reserved. Reproduction in whole or in part without the express written permission of ASSA ABLOY Accessories and Door Controls Group, Inc. is prohibited.



# MARKAR HG315 EDGE MOUNT HINGE GUARD

## Standard Features

### Barrel Type Hinge

.187" diameter Stainless Steel pin (rod)  
Medical bearings  
Stainless Steel end pins

### Material

Heavy-duty 14 gauge Stainless Steel

### Finishes

US32D Satin Stainless Steel (630)

### Standards

ANSI/BHMA Standard A156.26 Grade 1

### Mounting Hardware

Fasteners concealed when door is closed

Custom 12-24 x 1 1/16" S.S Phillips Flat Head Undercut TEK Screws

### Capacity

Supports weights up to 600 lbs.  
4'0" maximum door width

### Standard Sizes

6'8", 7'0", 7'2", 8'0", 10'0"

### Hole Pattern

Symmetrically templated

### Handing

Not required for standard 7'0", 8'0" or 10'0". Specify handing for 6'8" and 7'2" and for most optional features

### Fire Rating

3 hours- hollow metal doors  
90 minutes- hollow metal and composite core wood fire doors  
20 minutes- wood doors



Classified in accordance with UL10C for positive pressure



Fire-rated label

## Optional Features

### Finishes

US32 Bright Stainless Steel (629)  
Scratch-Resistant Powder Coated Paint

### Fasteners

Tamper-proof security screws

### Other Features

Custom lengths- specify in inches  
Custom hole pattern  
Dutch door hinges- suffix "DDP"  
Hospital tips - suffix "HT"  
Raised barrel - suffix "RB"  
Welded end pins  
Security studs

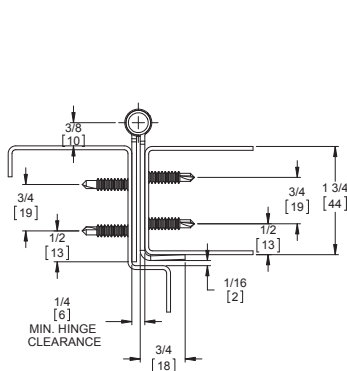
### Electrical Modifications

Adjustable Monitoring Switch - suffix "AMS"  
Current Transfer Prep - suffix "CTP"  
Electrical Transfer Access Prep - suffix "ETAP"

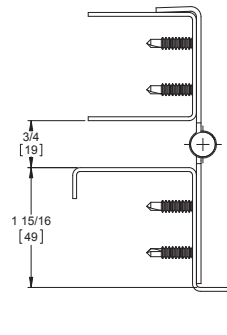
### ElectroLynx®

EL4 (4 wire), EL8 (8 wire), EL12 (12 wire)  
PoE (9 wire)

Featuring our unique edge guard, this economical hinge prevents objects from being placed between the door and frame as well as protects the door's edge while supporting the door's weight along the entire length of the jamb.



Door Closed



Door Open 180°

800-824-3018 | [www.pemko.com](http://www.pemko.com)

Check the web site for the up-to-date catalog

Copyright © 2015-2025, ASSA ABLOY Accessories and Door Controls Group, Inc., an ASSA ABLOY Group company. All rights reserved. Reproduction in whole or in part without the express written permission of ASSA ABLOY Accessories and Door Controls Group, Inc. is prohibited.

**PEMKO**  
**ASSA ABLOY**

Experience a safer  
and more open world

# MARKAR HG323 EDGE MOUNT HINGE GUARD

## Standard Features

### Barrel Type Hinge

.187" diameter Stainless Steel pin (rod)  
 Medical bearings  
 Stainless Steel end pins

### Material

Heavy-duty 14 gauge Stainless Steel

### Finishes

US32D Satin Stainless Steel (630)

### Standards

ANSI/BHMA Standard A156.26  
 Grade 1

### Mounting Hardware

Fasteners concealed when door is closed

Custom 12-24 x 11/16" S.S Phillips Flat Head Undercut TEK Screws & 1/4-20 x 1 5/8 Thru Bolt Stainless Steel

### Capacity

Supports weights up to 600 lbs.  
 4'0" maximum door width

### Standard Sizes

6'8", 7'0", 7'2", 8'0", 10'0"

### Hole Pattern

Symmetrically templated

### Handing

Not required for standard 7'0", 8'0" or 10'0". Specify handing for 6'8" and 7'2" and for most optional features

### Fire Rating

3 hours- hollow metal doors  
 90 minutes- hollow metal and composite core wood fire doors  
 20 minutes- wood doors



Classified in accordance with UL10C for positive pressure



Fire-rated label

## Optional Features

### Finishes

US32 Bright Stainless Steel (629)  
 Scratch-Resistant Powder Coated Paint

### Fasteners

Tamper-proof security screws

### Other Features

Custom lengths- specify in inches  
 Custom hole pattern  
 Dutch door hinges - suffix "DDP"  
 Hospital tips - suffix "HT"  
 Raised barrel - suffix "RB"  
 Special sheared leaf

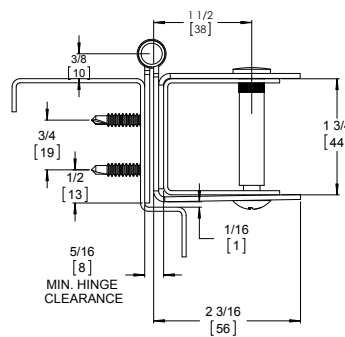
### Electrical Modifications

Adjustable Monitoring Switch - suffix "AMS"  
 Current Transfer Prep - suffix "CTP"  
 Electrical Transfer Access Prep - suffix "ETAP"

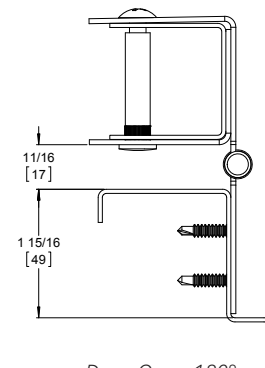
### ElectroLynx®

EL4 (4 wire), EL8 (8 wire), EL12 (12 wire)  
 PoE (9 wire)

This extended wrap model allows you to sandwich the door between two leafs of Stainless Steel and through bolt them together. It is ideal where doors have split and you want to save them.



Door Closed



Door Open 180°



Experience a safer and more open world

800-824-3018 | [www.pemko.com](http://www.pemko.com)  
 Check the web site for the up-to-date catalog

Copyright © 2015-2025, ASSA ABLOY Accessories and Door Controls Group, Inc., an ASSA ABLOY Group company. All rights reserved. Reproduction in whole or in part without the express written permission of ASSA ABLOY Accessories and Door Controls Group, Inc. is prohibited.

# MARKAR HG326 SWING CLEAR ADJUSTABLE HINGE GUARD

## Standard Features

### Barrel Type Hinge

.187" diameter Stainless Steel pin (rod)  
 Medical bearings  
 Stainless Steel end pins

### Material

Heavy-duty 14 gauge Stainless Steel

### Finishes

US32D Satin Stainless Steel (630)

### Standards

ANSI/BHMA Standard A156.26  
 Grade 1

### Mounting Hardware

Custom 12-24 x 11/16" S.S Phillips Flat Head Undercut TEK Screws

### Capacity

Supports weights up to 600 lbs.  
 4'0" maximum door width

### Standard Sizes

6'8", 7'0", 7'2", 8'0", 10'0"

### Hole Pattern

Symmetrically templated

### Door Edge

Square hinge edge  
 Recommend Adjust-A-Screw for beveled hinge edge

### Handing

Not required for standard 7'0", 8'0" or 10'0". Specify handing for 6'8" and 7'2" and for most optional features

### Fire Rating

3 hours- hollow metal doors  
 90 minutes- hollow metal and composite core wood fire doors  
 20 minutes- wood doors



Classified in accordance with UL10C for positive pressure



Fire-rated label

## Optional Features

### Finishes

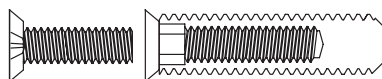
US32 Bright Stainless Steel (629)  
 Scratch-Resistant Powder Coated Paint

### Other Features

Custom lengths- specify in inches  
 Custom hole pattern  
 Dutch door hinges- suffix "DDP"  
 Hospital tips - suffix "HT"  
 Welded end pins

### Fasteners

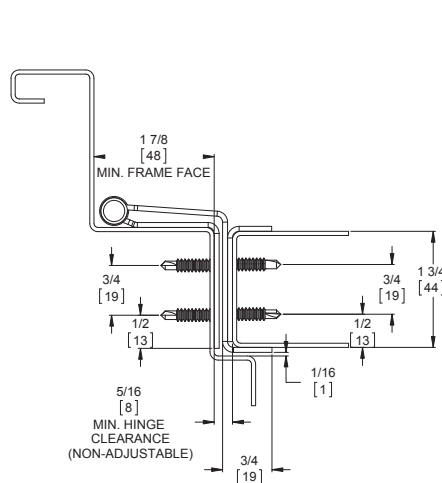
Tamper-proof security screws  
 Adjust-A-Screw™ for correcting frame fit problems up to 3/8"



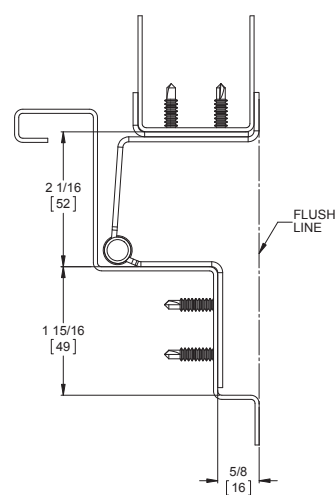
### Electrical Modifications

Current Transfer Prep - suffix "CTP"  
 (EL-EPT-SC Power Transfer Recommended)

The incorporated edge guard protects the door from unsightly dents and gouges while also protecting the hinge from vandalism.



Door Closed



Door Open 90°

800-824-3018 | [www.pemko.com](http://www.pemko.com)

Check the web site for the up-to-date catalog

Copyright © 2015-2025, ASSA ABLOY Accessories and Door Controls Group, Inc., an ASSA ABLOY Group company. All rights reserved. Reproduction in whole or in part without the express written permission of ASSA ABLOY Accessories and Door Controls Group, Inc. is prohibited.

**PEMKO**  
**ASSA ABLOY**

Experience a safer  
 and more open world

# MARKAR HG329 SWING CLEAR HINGE GUARD FOR SQUARE EDGE DOOR

## Standard Features

### Barrel Type Hinge

.187" diameter Stainless Steel pin (rod)

### Medical bearings

Stainless Steel end pins

### Material

Heavy-duty 14 gauge Stainless Steel

### Finishes

US32D Satin Stainless Steel (630)

### Standards

ANSI/BHMA Standard A156.26 Grade 1

### Mounting Hardware

Fasteners concealed when door is closed

Custom 12-24 x 1<sup>1</sup>/<sub>16</sub>" S.S Phillips Flat

Head Undercut TEK Screws

### Capacity

Supports weights up to 600 lbs.

4'0" maximum door width

### Standard Sizes

6'8", 7'0", 7'2", 8'0", 10'0"

### Door Edge

Square hinge edge

For beveled hinge edge use HG326

### Hole Pattern

Symmetrically templated

Specify handing

### Fire Rating

3 hours- hollow metal doors

90 minutes- hollow metal and

composite core wood fire doors

20 minutes- wood doors



Classified in accordance with UL10C for positive pressure

Fire-rated label

## Optional Features

### Finishes

US32 Bright Stainless Steel (629)

Scratch-Resistant Powder

Coated Paint

### Other Features

Custom lengths- specify in inches

Custom hole pattern

Dutch door hinges- suffix "DDP"

Hospital tips - suffix "HT"

Welded end pins

### Fasteners

Tamper-proof security screws

### Electrical Modifications

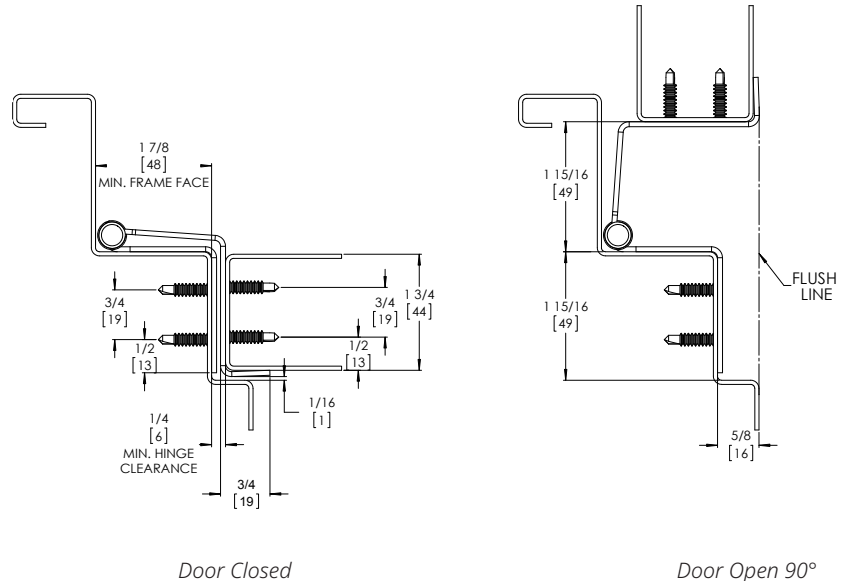
Adjustable Monitoring Switch - suffix

"AMS" Current Transfer Prep - suffix "CTP"

(EL-EPT-SC Power Transfer

Recommended)

The incorporated edge guard protects the door from unsightly dents and gouges while also protecting the hinge from vandalism.



Experience a safer and more open world

800-824-3018 | [www.pemko.com](http://www.pemko.com)  
Check the web site for the up-to-date catalog

Copyright © 2015-2025, ASSA ABLOY Accessories and Door Controls Group, Inc., an ASSA ABLOY Group company. All rights reserved. Reproduction in whole or in part without the express written permission of ASSA ABLOY Accessories and Door Controls Group, Inc. is prohibited.

# MARKAR EG308 ADJUSTABLE EDGE GUARD

## Standard Features

**Material**  
Heavy-duty 16 gauge stainless steel

**Finishes**  
US32D Satin Stainless Steel (630)

**Mounting Hardware**  
Fasteners concealed when door is closed

Included fasteners are:  
Custom 12-24 x 1<sup>1</sup>/<sub>16</sub>" S.S Phillips Flat Head Undercut TEK Screws  
Custom 12-24 x 1<sup>1</sup>/<sub>2</sub>" S.S. Phillips Flat Head Particle Board Screws  
Order form required, available

online.  
**Standard Sizes**  
6'8", 7'0", 7'2", 8'0", 10'0"  
**Door Edge**  
Specify square or beveled edge when ordering (beveled edge standard)

**Fire Rating**  
3 hours- hollow metal doors  
90 minutes- hollow metal and composite  
20 minutes- wood doors



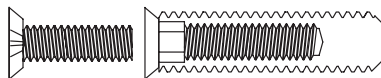
Fire-rated label

MAY NOT APPLY TO ALL WOOD DOORS. PLEASE CONSULT FACTORY FOR SPECIFIC WOOD DOOR APPLICATIONS.

## Optional Features

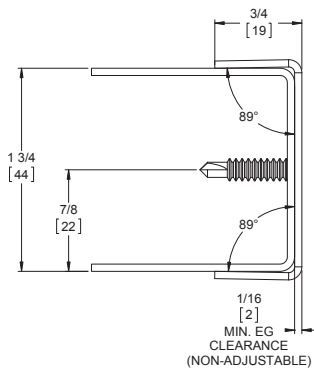
**Finish**  
US32 Bright Stainless Steel (629)  
Scratch-Resistant Powder Coated Paint  
**Hardware Cutouts**  
(Edge Guard order form must be filled out)  
Flush bolts  
ASA strike  
Deadlock strike and latch  
86 edge  
Hospital latch  
161 cutout

**Fasteners**  
Tamper-proof security screws  
Adjust-A-Screw™ for correcting frame fit problems up to 3/8"

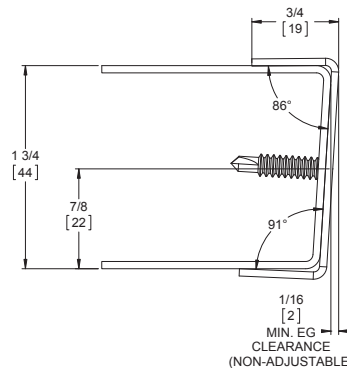


**Other Features**  
Custom lengths - specify in inches  
Staggered hole pattern for lead lined doors  
**Custom cutouts**  
Dutch door application - suffix "DDP"

This fire-labeled edge guard is used in conjunction with the HG305 Hinge/Guard for a balanced aesthetic look. It also provides protection for the leading edge of the door.



Square edge door



Bevel edge door

800-824-3018 | www.pemko.com  
Check the web site for the up-to-date catalog

Copyright © 2015-2025, ASSA ABLOY Accessories and Door Controls Group, Inc., an ASSA ABLOY Group company. All rights reserved. Reproduction in whole or in part without the express written permission of ASSA ABLOY Accessories and Door Controls Group, Inc. is prohibited.



Experience a safer and more open world

# MARKAR EGC308 SINGLE RETURN EDGE GUARD

## Standard Features

### Material

Heavy-duty 16 gauge stainless steel

### Finishes

US32D Satin Stainless Steel (630)

### Mounting Hardware

Fasteners concealed when door is closed

Included fasteners are:

Custom 12-24 x 11/16" S.S Phillips

Flat Head Undercut TEK Screws

Custom 12-24 x 1 1/2" S.S. Phillips

Flat Head Particle Board Screws

Order form required, available online.

### Standard Sizes

6'8", 7'0", 7'2", 8'0", 10'0"

### Door Edge

Specify square or beveled edge when ordering (beveled edge standard)

### Fire Rating

3 hours- hollow metal doors

90 minutes- hollow metal and composite

20 minutes- wood doors



Fire-rated label

MAY NOT APPLY TO ALL WOOD DOORS. PLEASE CONSULT FACTORY FOR SPECIFIC WOOD DOOR APPLICATIONS.

## Optional Features

### Finish

US32 Bright Stainless Steel (629)

Scratch-Resistant Powder Coated Paint

### Hardware Cutouts

(Edge Guard order form must be filled out)

Flush bolts

ASA strike

Deadlock strike and latch

86 edge

Hospital latch

161 cutout

### Fasteners

Tamper-proof security screws

### Other Features

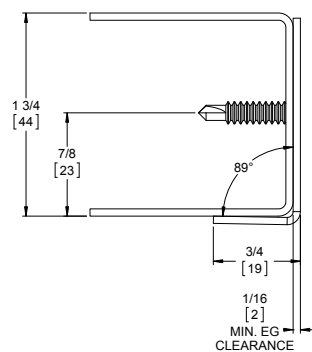
Custom lengths - specify in inches

Staggered hole pattern for lead lined doors

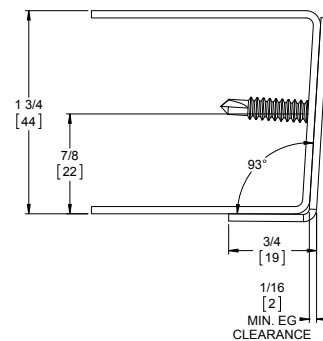
### Custom cutouts

Dutch door application - suffix "DDP"

This fire-labeled edge guard works with the HG315 Hinge/Guard. It provides protection to the leading edge of the door, while maintaining the door's aesthetic appearance in the closed position.



Square edge door



Bevel edge door



Experience a safer and more open world

800-824-3018 | [www.pemko.com](http://www.pemko.com)  
Check the web site for the up-to-date catalog

Copyright © 2015-2025, ASSA ABLOY Accessories and Door Controls Group, Inc., an ASSA ABLOY Group company. All rights reserved. Reproduction in whole or in part without the express written permission of ASSA ABLOY Accessories and Door Controls Group, Inc. is prohibited.

# MARKAR EGT308 ADJUSTABLE EDGE GUARD WITH ASTRAGAL

## Standard Features

### Material

Heavy-duty 16 gauge stainless steel

### Finishes

US32D Satin Stainless Steel (630)

### Mounting Hardware

Fasteners concealed when door is closed

Included fasteners are:

Custom 12-24 x 1<sup>1</sup>/<sub>16</sub>" S.S Phillips Flat Head Undercut TEK Screws

Custom 12-24 x 1<sup>1</sup>/<sub>2</sub>" S.S. Phillips Flat Head Particle Board Screws

Order form required, available online.

### Standard Sizes

6'8", 7'0", 7'2", 8'0", 10'0"

### Door Edge

Specify square or beveled edge when ordering (beveled edge standard)

### Fire Rating

3 hours- hollow metal doors

90 minutes- hollow metal and composite

20 minutes- wood doors



Fire-rated label

MAY NOT APPLY TO ALL WOOD DOORS. PLEASE CONSULT FACTORY FOR SPECIFIC WOOD DOOR APPLICATIONS.

## Optional Features

### Finish

US32 Bright Stainless Steel (629)

Scratch-Resistant Powder Coated Paint

### Hardware Cutouts

(Edge Guard order form must be filled out)

Flush bolts

ASA strike

Deadlock strike and latch

86 edge

Hospital latch

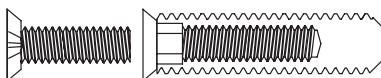
161 cutout

### Fasteners

Tamper-proof security screws

Adjust-A-Screw™ for correcting

frame fit problems up to 3/8"



### Other Features

Custom lengths - specify in inches

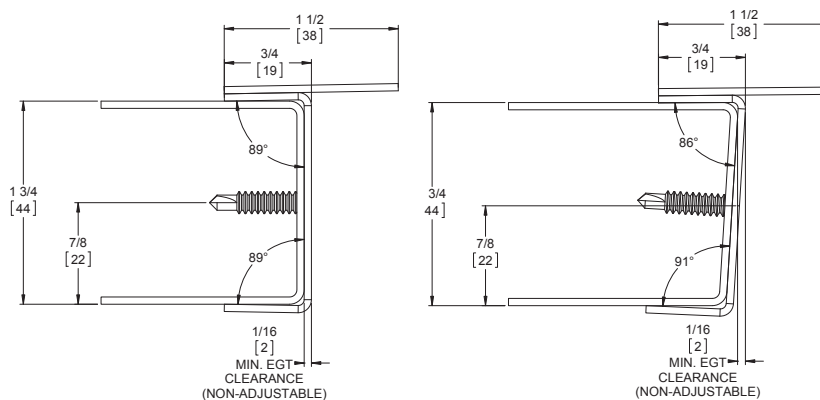
Staggered hole pattern for lead lined doors

Custom cutouts

Dutch door application - suffix "DDP"

Lead lined astragal with 4 lbs. lead lining - suffix "LL"

The integral overlapping astragal of the EGT308 provides additional security by protecting the latch protector. It is ideal for exterior pairs of doors or doors that require added protection from vandalism.



Square edge door

Bevel edge door

800-824-3018 | [www.pemko.com](http://www.pemko.com)

Check the web site for the up-to-date catalog

Copyright © 2015-2025, ASSA ABLOY Accessories and Door Controls Group, Inc., an ASSA ABLOY Group company. All rights reserved. Reproduction in whole or in part without the express written permission of ASSA ABLOY Accessories and Door Controls Group, Inc. is prohibited.

**PEMKO**  
**ASSA ABLOY**

Experience a safer  
and more open world

# MARKAR 200 SERIES CARBON STEEL PIN & BARREL CONTINUOUS HINGES

## Short Form Architectural Specification:

Continuous hinges shall be full height piano-type hinge providing full height door support.

- Supports weights up to 600 lbs. 4'0" maximum door width
- Material to be 14 gauge 1012 carbon steel
- .187" diameter stainless steel pin (rod)
- Each knuckle 2", including nylon bearing at each separation for a quiet, smooth, self-lubricating operation
- Finish: Zinc Plated  
Optional Finish: Scratch-Resistant Powder Coated Paint
- All hinges shall be furnished with manufacturer's recommended hardware pack per specific model application
- Must use undercut head screws
- Must be able to carry Warnock Hersey Int. or UL fire rated doors and frames up to 3 hours
- Hinges shall meet ANSI/BHMA Standard A 156.26 Grade 1
- Symmetrically templated hole pattern

*Note: 25-Year Warranty on all Continuous Hinges*

*Note: Fire label for doors and frames should be placed on the header and top rail of fire rated doors and frames*

## MARKAR FM200 EDGE MOUNT HINGE

### Standard Features

#### Barrel Type Hinge

.187" diameter stainless steel pin (rod)  
Medical bearings  
Stainless steel end pins

#### Material

Heavy-duty 14 gauge 1012 carbon steel

#### Finishes

Zinc Plated

#### Standards

ANSI/BHMA Standard A156.26 Grade 1

#### Mounting Hardware

No exposed mounting fasteners  
Custom 12-24 x 1<sup>1</sup>/<sub>16</sub>" S.S Phillips  
Flat Head Undercut TEK Screws

#### Capacity

Supports weights up to 600lbs.  
4'0" maximum door width

#### Standard Sizes


6'8", 7'0", 7'2", 8'0", 10'0"

#### Handing

Handing not required on standard hinges. Specify handing when ordering a hinge with modification

#### Fire Rating

3 hours- hollow metal doors  
90 minutes- hollow metal and composite core wood fire doors  
20 minutes- wood doors

Classified in accordance with  
 UL10C for positive pressure  
Fire-rated label



#### Windstorm

Evaluated in accordance with TAS 201-14, TAS 202-14, TAS 203-14, ASTM E330, ASTM E1886, ASTM E1996 and ANSI A250.13

### Optional Features

#### Finish

Scratch-Resistant Powder Coated Paint

#### Fasteners

Tamper-proof security screws

#### Other Features

Custom lengths - specify in inches  
Custom hole pattern  
Dutch door hinges - suffix "DDP"  
Hospital tips - suffix "HT"  
Raised barrel - suffix "RB"

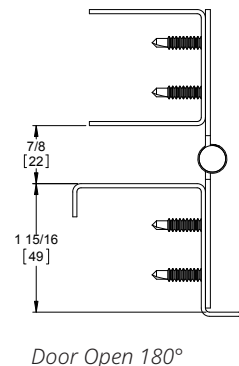
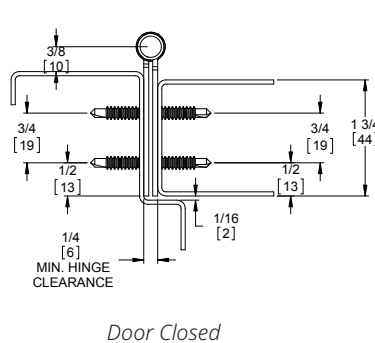
#### Electrical Modifications

Current Transfer Prep (frame leaf only) - suffix "CTP"

#### ElectroLynx®

EL4 (4 wire), EL8 (8 wire), EL12 (12 wire)  
PoE (9 wire)

This edge-mounted pin & barrel hinge is used on many traffic, high abuse interior doors. The hinge works well in locations that used anchor hinges, pivot reinforced hinges, or thrust pivot unit and hinge sets. This hinge saves on special door and frame preparation charges. It can be used on both fire labeled and non-labeled openings.



Experience a safer and more open world

800-824-3018 | [www.pemko.com](http://www.pemko.com)  
Check the web site for the up-to-date catalog

Copyright © 2015-2025, ASSA ABLOY Accessories and Door Controls Group, Inc., an ASSA ABLOY Group company. All rights reserved. Reproduction in whole or in part without the express written permission of ASSA ABLOY Accessories and Door Controls Group, Inc. is prohibited.



# MARKAR HS203 HALF SURFACE

## Standard Features

### Barrel Type Hinge

.187" diameter stainless steel pin (rod)  
 Medical bearings  
 Stainless steel end pins

### Material

Heavy-duty 14 gauge 1012 carbon steel  
 Cover - extruded aluminum

### Finishes

Zinc Plated  
 Cover - Mill Finish

### Standards

ANSI/BHMA Standard A156.26 Grade 1

### Mounting Hardware

No exposed mounting fasteners  
 Custom 12-24 x 1<sup>11</sup>/<sub>16</sub>" S.S Phillips Flat Head Undercut TEK Screws  
 1<sup>1</sup>/<sub>4</sub>-14 x 3<sup>3</sup>/<sub>4</sub> Security TORX TEK Screws

### Capacity

Supports weights up to 600lbs.  
 4'0" maximum door width

### Standard Sizes

6'8", 7'0", 7'2", 8'0", 10'0"

### Hole Pattern

Symmetrically templated

### Handing

Not required for standard 7'0", 8'0" or 10'0". Specify handing for 6'8" and 7'2" and for most optional features

### Fire Rating

3 hours- hollow metal doors  
 90 minutes- hollow metal and composite  
 20 minutes- wood doors



Classified in accordance with UL10C for positive pressure



Fire-rated label

## Optional Features

### Finishes

Scratch-Resistant Powder Coated Paint

### Fasteners

1<sup>5</sup>/<sub>8</sub>" steel sleeve bolts  
 Tamper-proof security screws

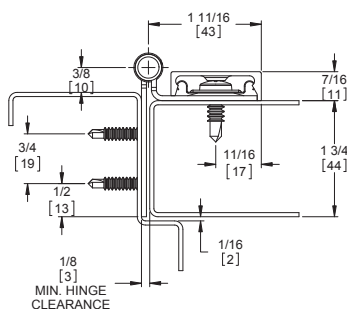
### Other Features

Custom lengths - specify in inches  
 Custom hole pattern  
 Dutch door hinges - suffix "DDP"  
 Hospital tips - suffix "HT"  
 Raised barrel - suffix "RB"  
 Lead-lined cover with 4 lbs. lead lining - suffix "LL"

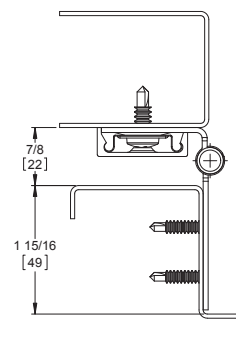
### Electrical Modifications

Current Transfer Prep (frame leaf only) - suffix "CTP"

This half-surface pin & barrel continuous hinge can be used to repair and replace existing hinges on both fire-labeled and non-labeled openings. The hinge fits into the gap left after standard butt hinges are removed. It can assist in reversing the handing of a door, or to reverse the swing of a door hung in an evenly-rabbetted frame. (Please contact the factory for instructions for unevenly-rabbetted frames.)



Door Closed



Door Open 180°

800-824-3018 | [www.pemko.com](http://www.pemko.com)

Check the web site for the up-to-date catalog

Copyright © 2015-2025, ASSA ABLOY Accessories and Door Controls Group, Inc., an ASSA ABLOY Group company. All rights reserved. Reproduction in whole or in part without the express written permission of ASSA ABLOY Accessories and Door Controls Group, Inc. is prohibited.



Experience a safer and more open world

# MARKAR 100 SERIES ALUMINUM PIN & BARREL CONTINUOUS HINGES

## Short Form Architectural Specification:

Continuous hinges shall be full height piano-type hinge providing full height door support.

- Supports weights up to 600 lbs. 4'0" maximum door width
- Material to be extruded aluminum 6063-T6 alloy
- .187" diameter stainless pin (rod)
- Each knuckle 2", including nylon bearing at each separation for a quiet, smooth, self-lubricating operation
- Finish: Clear Anodized (628), Dark Bronze Anodized (313)  
Optional Finish: Light Bronze Anodized (311), Black Anodized (315), Scratch-Resistant Powder Coated Paint. Other finishes available upon request.
- All hinges shall be furnished with manufacturer's recommended hardware pack per specific model application
- Exterior barrel diameter .515" (1/2")
- Material thickness less than .125"
- Material weight will be no less than 1.5 lbs. per foot
- Hinges shall meet ANSI/BHMA Standard A 156.26 Grade 2
- Symmetrically templated hole pattern

*Note: 25-Year Warranty on all Continuous Pin & Barrel Hinges*

## MARKAR FM100 EDGE MOUNT HINGE

### Standard Features

#### Barrel Type Hinge

.187" diameter stainless steel pin (rod)  
Medical bearings  
Aluminum end pins

#### Material

6063-T6 aluminum alloy

#### Finishes

Clear Anodized (628)  
Dark Bronze Anodized (313)

#### Standards

ANSI/BHMA Standard A156.26  
Grade 2

#### Mounting Hardware

Fasteners concealed when door is closed  
Custom 12-24 x 1 1/16" S.S Phillips Flat  
Head Undercut TEK Screws

#### Capacity

Supports weights up to 600lbs.  
4'0" maximum door width

#### Standard Sizes

6'8", 7'0", 7'2", 8'0"

#### Hole Pattern

Symmetrically templated

#### Handing

Handing not required on standard hinges. Specify handing when ordering a hinge with modification

#### Windstorm

Evaluated in accordance with TAS 201-14, TAS 202-14, TAS 203-14, ASTM E330, ASTM E1886, ASTM E1996 and ANSI A250.13.

### Optional Features

#### Finishes

Light Bronze Anodized (311)  
Black Anodized (315)  
Scratch-Resistant Powder Coated Paint

#### Other Features

Custom lengths - specify in inches  
Custom hole pattern  
Dutch door hinges - suffix "DDP"  
Hospital tips - suffix "HT"

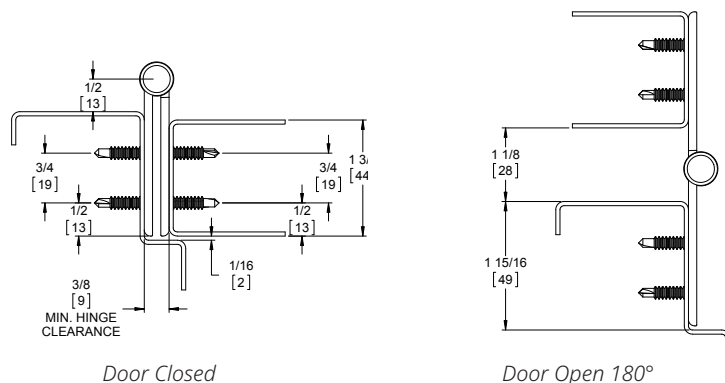
#### Electrical Modifications

Current Transfer Prep - suffix "CTP"  
Electrical Transfer Access Prep - suffix "ETAP"

#### ElectroLynx®

EL4 (4 wire), EL8 (8 wire), EL12 (12 wire)  
PoE (9 wire)

This door-edge mounted aluminum pin & barrel type hinge is extruded using 30% more aluminum than most geared hinges, giving it exceptional strength and durability. This product is specified in lieu of pivots or butt hinges due to its unique design which distributes the weight of the door down the entire length of the hinge.



Experience a safer  
and more open world

800-824-3018 | [www.pemko.com](http://www.pemko.com)  
Check the web site for the up-to-date catalog

Copyright © 2015-2025, ASSA ABLOY Accessories and Door Controls Group, Inc., an ASSA ABLOY Group company. All rights reserved. Reproduction in whole or in part without the express written permission of ASSA ABLOY Accessories and Door Controls Group, Inc. is prohibited.

# MARKAR FS102 FULL SURFACE FLUSH MOUNT HINGE

## Standard Features

### Barrel Type Hinge

.187" diameter stainless steel pin (rod)  
Medical bearings  
Aluminum end pins

### Material

6063-T6 aluminum alloy

### Finishes

Clear Anodized (628)  
Dark Bronze Anodized (313)

### Standards

ANSI/BHMA Standard A156.26 Grade 2

### Mounting Hardware

Fasteners concealed when door is closed  
 $1/4$ -14 x  $3/4$ " Security TORX TEK Screws

### Capacity

Supports weights up to 600lbs.  
4'0" maximum door width

### Standard Sizes

6'8", 7'0", 7'2", 8'0"

### Locking Security Covers

Brushed aluminum finish

### Handing

Not required for standard 7'0" or 8'0".  
Handing required for 6'8" and 7'0" and for most optional features listed

## Optional Features

### Finish

Light Bronze Anodized (311)  
Black Anodized (315)  
Scratch-Resistant Powder Coated Paint

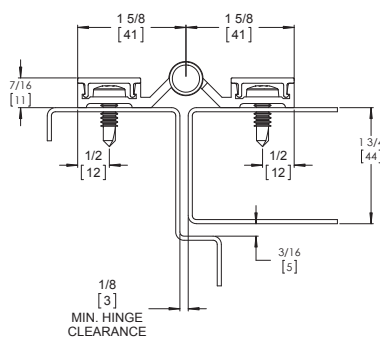
### Fasteners

$1\frac{5}{8}$ " aluminum sleeve bolts  
Tamper-proof security screws

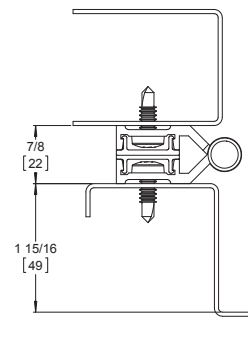
### Other Features

Custom lengths - specify in inches  
Custom hole pattern  
Dutch door hinges - suffix "DDP"  
Hospital tips - suffix "HT"  
Lead lined cover with 4 lbs. lead lining - suffix "LL"

For flush-mounted doors. This surface-mounted pin & barrel type continuous hinge is for flush-mounted doors for solving your door sag problems. This unit works well on all types of aluminum, wood and hollow metal door applications. The hinge also features tamper-resistant cover caps to prevent vandalism or break-ins.



Door Closed



Door Open 180°

800-824-3018 | [www.pemko.com](http://www.pemko.com)

Check the web site for the up-to-date catalog

Copyright © 2015-2025, ASSA ABLOY Accessories and Door Controls Group, Inc., an ASSA ABLOY Group company. All rights reserved.  
Reproduction in whole or in part without the express written permission of ASSA ABLOY Accessories and Door Controls Group, Inc. is prohibited.

**PEMKO**  
**ASSA ABLOY**

Experience a safer  
and more open world

# MARKAR 900 SERIES SPRING LOADED PIN & BARREL TYPE CONTINUOUS STAINLESS STEEL HINGES

## Short Form Architectural Specification:

Continuous hinges shall be full height piano-type hinge providing full height door support.

- Supports weights up to 80 lbs. 3'0" maximum door width
- Material to be 14 gauge stainless steel
- Patented .25" diameter 303 stainless steel self closing pin assembly
- Exterior barrel diameter .438" (7/16")
- Adjustable, tamper resistant Torx Head end caps
- Each knuckle 2", including split nylon bearing at each separation for a quiet, smooth, self-lubricating operation
- Finish: US32D Satin Stainless Steel (630)  
Optional Finish: US32 Bright Stainless Steel (629)
- Non-Handed
- All hinges shall be furnished with manufacturer's recommended hardware pack per specific model application
- Removable roll pin for spring loaded adjustment
- Symmetrically templated hole pattern

Note: 10-Year Warranty

## MARKAR FM900 EDGE MOUNT

### Standard Features

**Spring-Loaded Barrel Type Hinge**  
.25" diameter stainless steel pin with stainless steel spring mechanism  
Torx tip cap to adjust spring tension  
Split nylon bearings

**Material**

Heavy-duty 14 gauge stainless steel  
Finishes  
US32D Satin Stainless Steel (630)

**Torx Adjusting Screw**  
Adjust tension on door to close tightly for out-swinging ADA compliance

**Mounting Hardware**

Custom 12-24 x 1 1/16" S.S Phillips Flat Head Undercut TEK Screws  
Capacity  
Close door weighing up to 80 lbs.

**Sizes**

54", 57"

**Non-Handed**

Use the same hinge for right- or left-handed doors

For Doors over 3'0" consult factory

USA patent no. 4823437

Canadian patent no. 1303804

### Optional Features

**Finishes**

US32 Bright Stainless Steel (629)  
Scratch-Resistant Powder Coated Paint

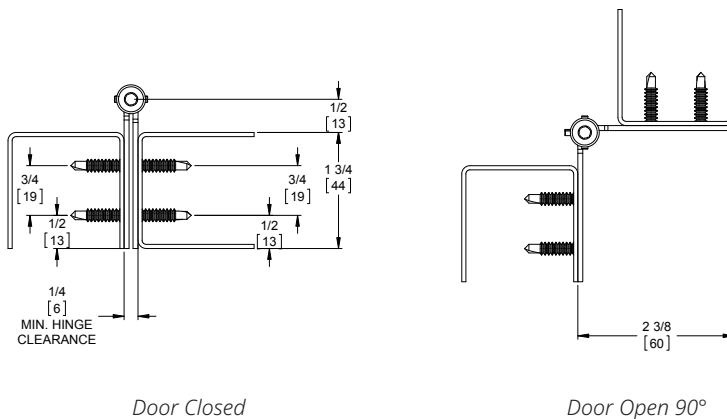
**Fasteners**

Tamper-proof security screws

**Other Features**

Custom lengths -Custom sizes 24" to 72" available  
Custom hole pattern

Ideal for damp or corrosive environments, Markar's stainless steel toilet partition hinge adds years of life to your high-quality partition.



Experience a safer and more open world

800-824-3018 | www.pemko.com  
Check the web site for the up-to-date catalog

Copyright © 2015-2025, ASSA ABLOY Accessories and Door Controls Group, Inc., an ASSA ABLOY Group company. All rights reserved. Reproduction in whole or in part without the express written permission of ASSA ABLOY Accessories and Door Controls Group, Inc. is prohibited.

## MARKAR FS902 FLUSH FULL SURFACE HINGE

### Standard Features

#### Spring-Loaded Barrel Type Hinge

.25" diameter stainless steel pin with stainless steel spring mechanism  
Torx tip cap to adjust spring tension  
Split nylon bearings

#### Material

Heavy-duty 14 gauge stainless steel  
Covers - extruded aluminum

#### Finishes

US32D Satin Stainless Steel (630)  
Covers - Brushed Aluminum  
Torx Adjusting Screw  
Adjust tension on door to close tightly for out-swinging ADA compliance

#### Mounting Hardware

1/4" x 20 pan head pan head machine screws  
Concealed by cover caps

#### Capacity

Close door weighing up to 80 lbs.

#### Sizes

54", 57"

#### Non-Handed

Use the same hinge for right- or left-handed doors

For Doors over 3'0" consult factory

USA patent no. 4823437

Canadian patent no. 1303804

### Optional Features

#### Finishes

US32 Bright Stainless Steel (629)  
Scratch-Resistant Powder Coated Paint

#### Fasteners

Tamper-proof security screws

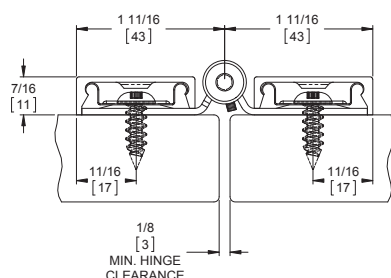
Ideal for damp or corrosive environments, Markar's stainless steel toilet partition hinge adds years of life to your high-quality partition.

#### Other Features

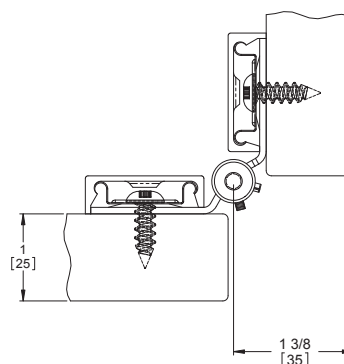
Custom lengths - Custom sizes

24" to 72" available

Custom hole pattern



Door Closed



Door Open 90°

## MARKAR FS910 FLUSH FULL SURFACE HINGE

### Standard Features

#### Spring-Loaded Barrel Type Hinge

.25" diameter stainless steel pin with stainless steel spring mechanism  
Torx tip cap to adjust spring tension  
Split nylon bearings

#### Material

Heavy-duty 14 gauge stainless steel

#### Finishes

US32D Satin Stainless Steel (630)  
Torx Adjusting Screw  
Adjust tension on door to close tightly for out-swinging ADA compliance

#### Mounting Hardware

Custom 12-24 x 11/16" S.S Phillips Flat Head Undercut TEK Screws

#### Capacity

Close door weighing up to 80 lbs.

#### Sizes

54", 57"

#### Non-Handed

Use the same hinge for right- or left-handed doors

For Doors over 3'0" consult factory

USA patent no. 4823437

Canadian patent no. 1303804

### Optional Features

#### Finishes

US32 Bright Stainless Steel (629)  
Scratch-Resistant Powder Coated Paint

#### Fasteners

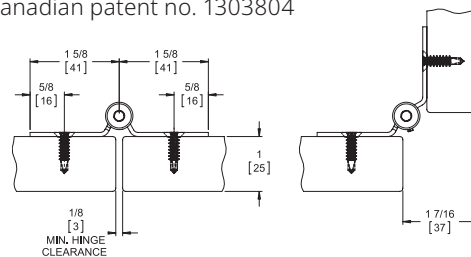
Tamper-proof security screws

#### Other Features

Custom lengths - Custom sizes

24" to 72" available Custom hole pattern

Ideal for damp or corrosive environments, Markar's stainless steel toilet partition hinge adds years of life to your high-quality partition.



Door Open

Door Open

# MARKAR 400 SERIES SPRING LOADED PIN & BARREL TYPE CONTINUOUS ALUMINUM HINGES

## Short Form Architectural Specification:

Continuous hinges shall be full height piano-type hinge providing full height door support.

- Supports weights up to 80 lbs. 3'0" maximum width
- Material to be extruded aluminum 6063-T6 alloy
- Patented .25" diameter 303 stainless steel self closing pin assembly
- Each knuckle 2", including split nylon bearing at each separation for a quiet, smooth, self-lubricating operation
- Finish: Clear Anodized (628). Other finishes available upon request.
- Adjustable, tamper resistant Torx Head end caps
- Non-handed
- Exterior barrel diameter .515" (1/2")
- Material thickness less than .125"
- Removable roll pin for spring loaded adjustment
- Symmetrically templated hole pattern

Note: 10-Year Warranty

## MARKAR FM400 EDGE MOUNT HINGE

### Standard Features

#### Spring-Loaded Barrel Type Hinge

.25" diameter stainless steel pin with stainless steel spring mechanism  
Torx tip cap to adjust spring tension  
Split nylon bearings

#### Material

6063-T6 aluminum alloy

#### Finishes

Clear Anodized (628)  
Torx Adjusting Screw  
Adjust tension on door to close tightly for out-swinging ADA compliance

#### Mounting Hardware

Custom 12-24 x 11/16" S.S Phillips Flat Head Undercut TEK Screws

#### Capacity

Close door weighing up to 80 lbs.

#### Sizes

54", 57"

Non-Handed

Use the same hinge for right- or left-handed doors

For Doors over 3'0" consult factory  
USA patent no. 4823437  
Canadian patent no. 1303804

### Optional Features

#### Fasteners

Tamper-proof security screws

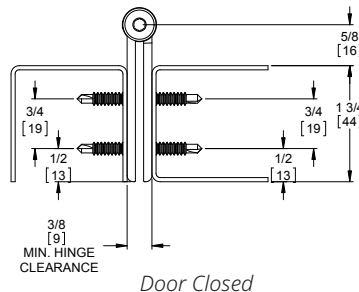
#### Finishes

Scratch-Resistant Powder Coated Paint  
Light Bronze Anodized (311)  
Black Anodized (315)

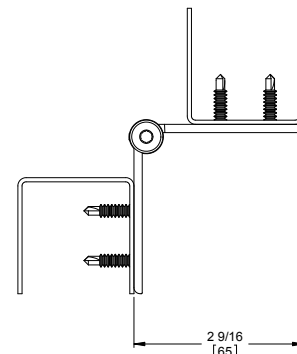
#### Other Features

Custom lengths - Custom sizes  
24" to 72" available  
Custom hole pattern  
Lift-up safety feature

Specify Markar to create the total finished look that your high-quality toilet partition deserves. The Markar continuous spring hinge gives a clean, finished look while virtually eliminating the "sight line" that multi-part systems cause. Continuous hinges also give complete support along the entire length of the partition door.



Door Closed



Door Open 90°



Experience a safer and more open world

800-824-3018 | [www.pemko.com](http://www.pemko.com)  
Check the web site for the up-to-date catalog

Copyright © 2015-2025, ASSA ABLOY Accessories and Door Controls Group, Inc., an ASSA ABLOY Group company. All rights reserved. Reproduction in whole or in part without the express written permission of ASSA ABLOY Accessories and Door Controls Group, Inc. is prohibited.

# MARKAR FS402 FLUSH FULL SURFACE HINGE

## Standard Features

### Spring-Loaded Barrel Type Hinge

.25" diameter stainless steel pin with stainless steel spring mechanism  
Torx tip cap to adjust spring tension  
Split nylon bearings

### Material

6063-T6 aluminum alloy  
Covers - extruded aluminum

### Finishes

Clear Anodized (628)  
Torx Adjusting Screw  
Adjust tension on door to close tightly for out-swinging ADA compliance

### Mounting Hardware

1/4" x 20 pan head pan head machine screws  
Concealed by cover caps

### Capacity

Close door weighing up to 80 lbs.

### Sizes

54", 57"

### Non-Handed

Use the same hinge for right- or left-handed doors

For Doors over 3'0" consult factory

USA patent no. 4823437

Canadian patent no. 1303804

## Optional Features

### Fasteners

Tamper-proof security screws

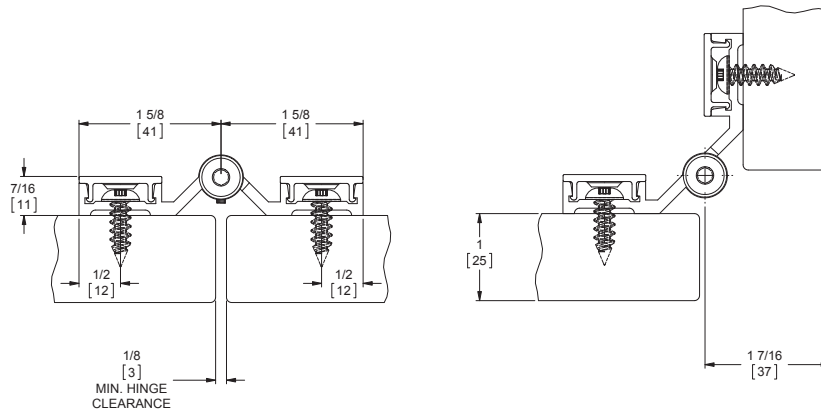
### Finishes

Scratch-Resistant Powder Coated Paint  
Light Bronze Anodized (311)  
Black Anodized (315)

### Other Features

Custom lengths - Custom sizes  
24" to 72" available  
Custom hole pattern  
Lift-up safety feature

Specify Markar to create the total finished look that your high-quality toilet partition deserves. The Markar continuous spring hinge gives a clean, finished look while virtually eliminating the "sight line" that multi-part systems cause. Continuous hinges also give complete support along the entire length of the partition door.



Door Closed

Door Open 90°

800-824-3018 | [www.pemko.com](http://www.pemko.com)

Check the web site for the up-to-date catalog

Copyright © 2015-2025, ASSA ABLOY Accessories and Door Controls Group, Inc., an ASSA ABLOY Group company. All rights reserved.  
Reproduction in whole or in part without the express written permission of ASSA ABLOY Accessories and Door Controls Group, Inc. is prohibited.

**PEMKO**  
**ASSA ABLOY**

Experience a safer  
and more open world

## MARKAR B1923 FULL SURFACE REINFORCING PIVOT

This full-surface reinforcing pivot adds years of life to openings where the hinges or hinge reinforcements have failed. An economical way to solve door sag problems, reinforcing pivots take the load off the top hinge and transfer it to screws that will not pull out.

### Material:

Heavy Duty  $\frac{3}{16}$ " (.187) Cold-Rolled Steel

### Finish:

Zinc Plated (US2G)

### Mounting:

- 8 ea.  $\frac{1}{4}$ -20 x  $\frac{3}{4}$ " Phillips flat head machine screws
- 8 ea. #14 x  $1\frac{1}{4}$ " Phillips flat head sheet metal screws
- 2 ea.  $\frac{1}{4}$ -20 x  $1\frac{3}{4}$ " Sleeve bolts

### Capacity:

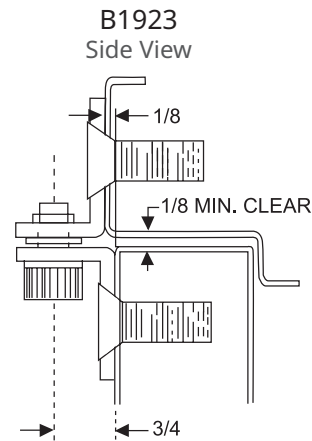
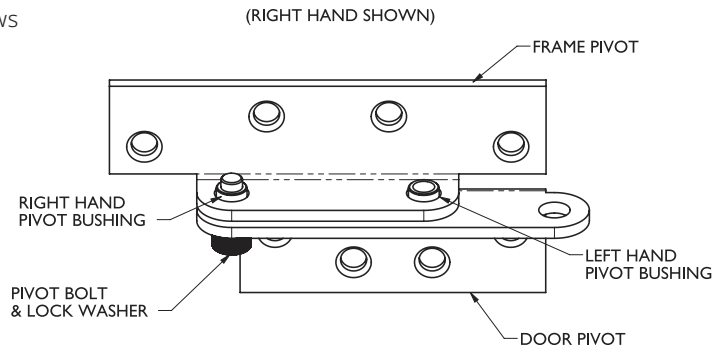
Supports Weights up to 300 lbs.

### Hole Pattern:

Symmetrically

### Handing:

Non-handed



Matches  $4\frac{1}{2}$ " hinge barrel centerline

B1923

The B1923 pivot is designed with a  $\frac{3}{4}$ " offset to match the pivot point of a  $4\frac{1}{2}$ " wide butt hinge.



Experience a safer  
and more open world

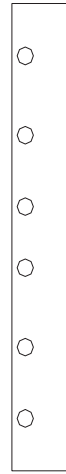
800-824-3018 | [www.pemko.com](http://www.pemko.com)  
Check the web site for the up-to-date catalog

Copyright © 2015-2025, ASSA ABLOY Accessories and Door Controls Group, Inc., an ASSA ABLOY Group company. All rights reserved. Reproduction in whole or in part without the express written permission of ASSA ABLOY Accessories and Door Controls Group, Inc. is prohibited.

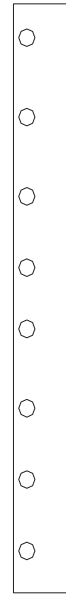


## MARKAR FLAT ASTRAGALS

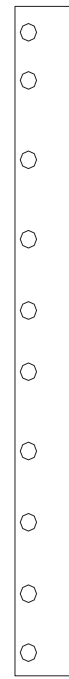
- For 6'8", 7'0", and 8'0" doors
- Holes are countersunk and equally spaced
- 1/8" x 2" galvanized steel
- 1-pkg. # 6 x 1" F.H.S.M. screws
- Finish – galvanized steel
- Available with thru-bolt option– nine-pack (ZTB-KIT9) or eleven-pack (ZTB-KIT11)



FA68



FA70



FA80



Experience a safer  
and more open world

800-824-3018 | [www.pemko.com](http://www.pemko.com)  
Check the web site for the up-to-date catalog

Copyright © 2015-2025, ASSA ABLOY Accessories and Door Controls Group, Inc., an ASSA ABLOY Group company. All rights reserved.  
Reproduction in whole or in part without the express written permission of ASSA ABLOY Accessories and Door Controls Group, Inc. is prohibited.

# MARKAR UNIVERSAL SCREW PACKS – EDGE MOUNT HINGES

## For hinge models FM100

Screw type	Aluminum	Bronze	6'8"-7'0"-7'2"	8'0"	10'0"
12-24 x 1 <sup>1</sup> / <sub>16</sub> " Phillips flat head undercut self-drilling Tek screw	TKS1267SP10SS	TKS1267SP10BLR	42	46	54

## For hinge models FM200, FM300, HG311, HG315, HG329, FM600

Screw type	Stainless Steel	6'8"-7'0"-7'2"	8'0"	10'0"
12-24 x 1 <sup>1</sup> / <sub>16</sub> " Phillips flat head undercut self-drilling Tek screw	TKS1267SP10SS	42	46	54

## For hinge/guard models HG305, HG310, HG326,

Screw type	Stainless Steel	6'8"-7'0"-7'2"	8'0"	10'0"
12-24 x 1 <sup>1</sup> / <sub>16</sub> " Phillips flat head undercut self-drilling Tek screw	TKS1267SP10SS	42	46	54
<b>Adjust-A-Screw™ option</b>	<b>Stainless Steel</b>	<b>6'8"-7'0"-7'2"</b>	<b>8'0"</b>	<b>10'0"</b>
10-32 x 3/4" Phillips flat head undercut machine screw	MS10075SS	21	23	27
1 <sup>3</sup> / <sub>8</sub> " Adjust-A-Screw™ with 10-32 internal thread	M26-0031-01	21	23	27

## For hinge/guard model HG323

Screw type	Stainless Steel	6'8"-7'0"-7'2"	8'0"	10'0"
12-24 x 1 <sup>1</sup> / <sub>16</sub> " Phillips flat head undercut self-drilling Tek screw	TKS1267SP10SS	21	23	27
1/4-20 X 3/4" Truss Head Phillips machine screw	MS14075TSS	9	9	11
1/4-20 x 1 <sup>5</sup> / <sub>8</sub> " sleeve bolt	TB1420SS	9	9	11

## For edge/guard models EG308, EGC308, & EGT308

Screw type	Stainless Steel	6'8"-7'0"-7'2"	8'0"	10'0"
#12 x 1 1/2" Phillips flat head undercut sheet metal screw	PBS12150SP10SS	8	10	12
#12-24 x 1 <sup>1</sup> / <sub>16</sub> " Phillips flat head undercut self-drilling Tek Screw	TKS1267SP10SS	8	10	12

## For security hinge models FM3500, FS3501, & FS3502

Screw type	Stainless Steel	6'8"-7'0"-7'2"	8'0"	10'0"
12-24 x 7/16" flat head undercut machine screw	MS1244SP10SS	42	46	54

## MARKAR UNIVERSAL SCREW PACKS – FULL SURFACE HINGES

### For models FS102

Screw type	Aluminum	Bronze	6'8"-7'0"-7'2"	8'0"	10'0"
1/4-14 x 3/4 Torx pan head self-drilling Tek screw	TORX-TKS14075R	TORX-TKS14075R	32	36	40
#8 x 3/4" Phillips flat head Tek screw	TKS8075Z	S323-08R12-663	4	4	4

### For models FS301 & FS302

Screw type	Stainless Steel	6'8"-7'0"-7'2"	8'0"	10'0"
1/4-14 x 3/4" Torx pan head self-drilling Tek screw	TORX-TKS14075R	32	36	40
606 Cover clips	M22-0130-01	10	12	16
#8 x 3/4" Phillips flat head Tek screw	TKS8075Z	4	4	4

### For swing clear model FS/SC309

Screw type	Stainless Steel	6'8"-7'0"-7'2"	8'0"	10'0"
12-24 x 11/16" Phillips flat head undercut self-drilling Tek screw	TKS1267SP10SS	22	24	28
1/4-14 x 3/4" Torx Phillips pan head self-drilling Tek screw	TORX-TKS14075R	16	18	20
606 Cover clips	M22-0130-01	5	6	8
#8 x 3/4" Phillips flat head Tek screw	TKS8075Z	2	2	2

## UNIVERSAL SCREW PACKS – HALF SURFACE & HALF MORTISE HINGES

### For hinge models HS203

Screw type	Stainless Steel	6'8"-7'0"-7'2"	8'0"	10'0"
1/4-14 x 3/4" Torx pan head self-drilling Tek screw	TORX-TKS14075R	14	16	20
12-24 x 11/16" Phillips flat head undercut self-drilling Tek screw	TKS1267SP10SS	21	23	27
606 Cover clips	M22-0130-01	5	6	8
#8 x 3/4" Phillips flat head sheet metal screw	TKS8075Z	2	2	2

### For hinge models HS303 & HM304

Screw type	Stainless Steel	6'8"-7'0"-7'2"	8'0"	10'0"
1/4-14 x 3/4" Torx pan head self-drilling Tek screw	TORX-TKS14075R	14	16	20
12-24 x 3/16" Phillips flat head undercut self-drilling Tek screw	TKS1267SP10SS	21	23	27
606 Cover clips	M22-0130-01	5	6	8
#8 x 3/4" Phillips flat head sheet metal screw	TKS8075Z	2	2	2



Experience a safer  
and more open world

800-824-3018 | [www.pemko.com](http://www.pemko.com)  
Check the web site for the up-to-date catalog

Copyright © 2015-2025, ASSA ABLOY Accessories and Door Controls Group, Inc., an ASSA ABLOY Group company. All rights reserved. Reproduction in whole or in part without the express written permission of ASSA ABLOY Accessories and Door Controls Group, Inc. is prohibited.

# MARKAR UNIVERSAL SCREW PACKS – TOILET PARTITION HINGES

## For hinge models FM400

Screw type	Stainless Steel	54"	57"
12-24 x 1 <sup>1</sup> / <sub>16</sub> " Phillips flat head undercut zinc self-drilling Tek screw	TKS1267SP10SS	26	26
<sup>3</sup> / <sub>32</sub> " x <sup>3</sup> / <sub>8</sub> " Stainless Steel roll pin	RLPN33238SS	1	1

## For hinge model FS402

Screw type	Stainless Steel	54"	57"
<sup>1</sup> / <sub>4</sub> -14 x <sup>3</sup> / <sub>4</sub> " Torx button head sheet metal screw	TORX-TKS14075R	12	12
#8 x <sup>3</sup> / <sub>4</sub> " TORX flat head self-drilling Tek screw	TORX-TKS8075Z	4	4
<sup>3</sup> / <sub>32</sub> " x <sup>3</sup> / <sub>8</sub> " Stainless Steel roll pin	RLPN33238SS	1	1

## For hinge models FM900

Screw type	Stainless Steel	54"	57"
#12-24 x 1 <sup>1</sup> / <sub>16</sub> " Phillips flat head undercut self-drilling Tek screw	TKS1267SP10SS	26	26
<sup>3</sup> / <sub>32</sub> " x <sup>3</sup> / <sub>8</sub> " Stainless Steel roll pin	RLPN33238SS	1	1




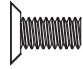

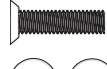

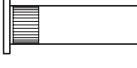
## For hinge model FS902

Screw type	Stainless Steel	54"	57"
<sup>1</sup> / <sub>4</sub> -14 x <sup>3</sup> / <sub>4</sub> " Torx button head sheet metal screw	TORX-TKS14075R	12	12
606 Cover clips	M22-0130-01	6	6
#8 x <sup>3</sup> / <sub>4</sub> " TORX flat head self-drilling Tek screw	TORX-TKS8075Z	4	4
<sup>3</sup> / <sub>32</sub> " x <sup>3</sup> / <sub>8</sub> " Stainless Steel roll pin	RLPN33238SS	1	1

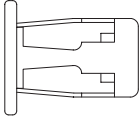
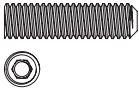
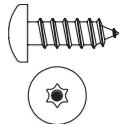
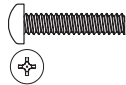
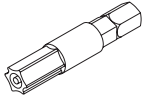
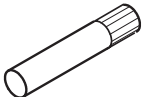
## For hinge models FS910

Screw type	Stainless Steel	54"	57"
#12-24 x 1 <sup>1</sup> / <sub>16</sub> " Phillips flat head undercut self-drilling Tek screw	TKS1267SP10SS	26	26
<sup>3</sup> / <sub>32</sub> " x <sup>3</sup> / <sub>8</sub> " Stainless Steel roll pin	RLPN33238SS	1	1

## MARKAR FASTENERS

	Product Number	Description	Properties
 		Custom 12-24 x <sup>11</sup> / <sub>16</sub> " Phillips Flat Head Undercut Self-Drilling Screw	
	TKS1267SP10SS	For attaching Edge Mounted hinge leaves	Stainless Steel Phillips
	TORX-TKS1267SP10SS	For attaching Edge Mounted hinge leaves	Stainless Steel Torx
 		#8 x <sup>3</sup> / <sub>4</sub> " Flat Head Self Drilling Tek Screw	Zinc Phillips
	TKS8075Z	For attaching 100, 200, and 300 series covers	Bronze Phillips
	S323-08R12-663	For attaching 100, 200, and 300 series covers	Zinc Torx
	TORX-TKS8075Z	For attaching 100, 200, and 300 series covers	
 		Custom #12 x 1 <sup>1</sup> / <sub>2</sub> " Flat Head Undercut Particle Board Screw	
	PBS12150SP10BLR	For edge mounting to wood	Bronze Phillips
	PBS12150SP10SS	For edge mounting to wood	Stainless Steel Phillips
	TORX-PBS12150SP10SS	For edge mounting to wood	Stainless Steel Torx
 		Custom 12-24 x <sup>7</sup> / <sub>16</sub> " Flat Head Undercut Machine Screw	
	MS1244SP10SS	Used with 3500 series hinges for mounting to metal	Stainless Steel Phillips
	TORX-MS1244SP10SS	Used with 3500 series hinges for mounting to metal	Stainless Steel Torx
 		10-32 x <sup>3</sup> / <sub>4</sub> " Flat Head Machine Screw	
	MS10075SS	Used with Adjust-A-Screw	Stainless Steel Phillips
	TORX-MS10075SS	Used with Adjust-A-Screw	Stainless Steel Torx
	TB1420SS	<sup>1</sup> / <sub>4</sub> -20 x 1 <sup>5</sup> / <sub>8</sub> " Sleeve Bolt For surface mounting to wood	Stainless Steel
	M26-0030	10-24 Security Button Head Barrel Nut For surface mount toilet partition hinges Consult factory for pricing and availability	Stainless Steel
	TORX-BHMS1075SS	10-24 x <sup>3</sup> / <sub>4</sub> " Button Head Security Torx For surface mount toilet partition hinges Consult factory for pricing and availability	Stainless Steel

# MARKAR FASTENERS

	Product Number	Description	Properties
	M26-0015-02	18 SJN 1/4-20 Molly Jack Nut 7/16" hole	Zinc
	M26-0031-01	1 3/8" Adjust-A-Screw™ with 10-32 Internal Thread and Hex Head Adjustment Used with MS10075SS screw Note: 5/16" pilot hole required for 3/8" - 16 tap	
	TORX-TKS14075R	1/4-14 x 3/4" T-27 Torx Button Head Sheet Metal Screw	Ruspert Coat Torx
	S222-416R16-603	1/4-20 x 1" Pan Head Machine Screw For surface mounting to metal	Zinc Phillips
	TORXBIT20 TORXBIT27	MT-T20, 27, & 15 Torx Driver Bit Used on TORX-MS1244SP10SS, TORX-PBS12150SP10SS and TORX-MS10075SS Used on TORX-TKS14075R16 and to adjust 400 and 900 series spring-loaded hinges	
	RLPN33238SS	Knurl Pin Replacement pin for spring-loaded toilet partition hinges	

800-824-3018 | [www.pemko.com](http://www.pemko.com)  
Check the web site for the up-to-date catalog

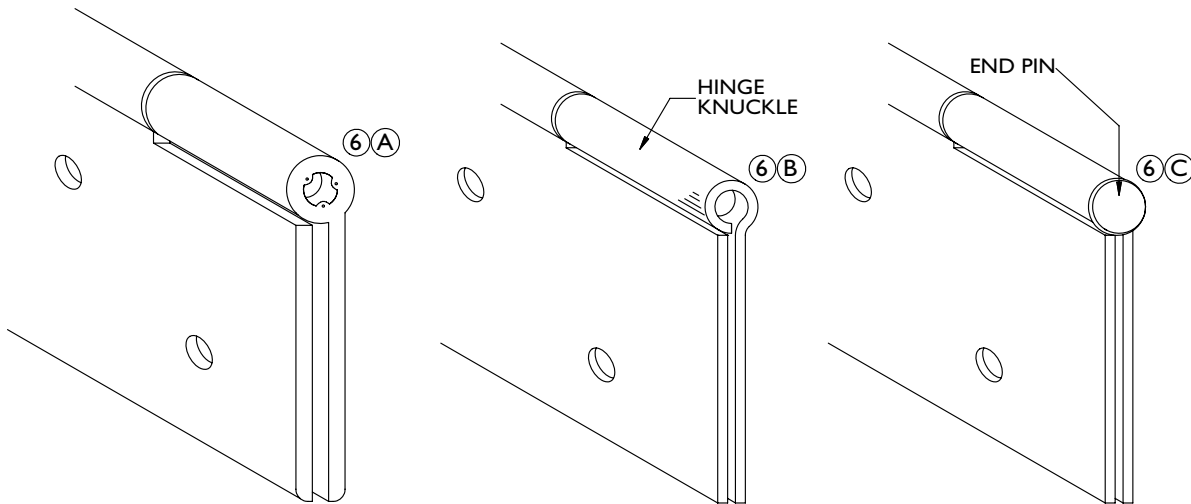
Copyright © 2015-2025, ASSA ABLOY Accessories and Door Controls Group, Inc., an ASSA ABLOY Group company. All rights reserved.  
Reproduction in whole or in part without the express written permission of ASSA ABLOY Accessories and Door Controls Group, Inc. is prohibited.

**PEMCO**  
**ASSA ABLOY**

Experience a safer  
and more open world

## CUTTING PIN & BARREL HINGES TO CUSTOM LENGTHS

- Step 1** The following instructions will apply to all Markar pin and barrel hinges except for toilet partition hinges. The general instructions apply for the 100, 200, 300 and 3500 series hinges. Follow option **A** for specific directions related to 100 series aluminum hinges and option **B** or **C** for specific directions related to 200, 300 & 3500 series steel and stainless steel hinges.
- Step 2** Determine the amount the hinge needs to be shortened. Note the hand of the hinge before beginning to lay our your cut. All cuts should be done at the bottom of your hinge assembly so that the gang hole pattern is at the top.
- Step 3** Measure from the top of the hinge down and mark a cut line at the desired length.  
For 200, 300 & 3500 series hinges, follow the instructions below
- If less than  $\frac{3}{4}$ " of knuckle is remaining follow option **B**
  - If  $\frac{3}{4}$ " or more of knuckle is remaining follow option **C**
- Step 4** Cut the hinge to length with a hacksaw or horizontal band saw, going through each hinge leaf, barrel and rod. If necessary, use a file to remove shart edges and deburr.
- Step 5** Slide the stainless steel rod out approximately 1" making sure the assembly stays together as one unit.
- **A B** Remove  $\frac{1}{4}$ " from the rod using hacksaw and then push back into it's original position.
  - **C** Remove  $\frac{3}{4}$ " from the rod using a hacksaw and then push back into it's original position.
- Step 6** Follow instructions below based on option used.
- **A** Using a hammer and a center-punch, swage the aluminum material towards the center of the hole locking the hinge pin into place making sure it will not slide out.
  - **B** Using a pair of vice-grips, crimp the end of the steel barrel making sure the hinge pin will not slide out.
  - **C** Remove the end of the pin from the scrap hinge and insert it into the bottom of hinge using hammer.





# PemkoHinge®

## Continuous Geared Aluminum Hinges

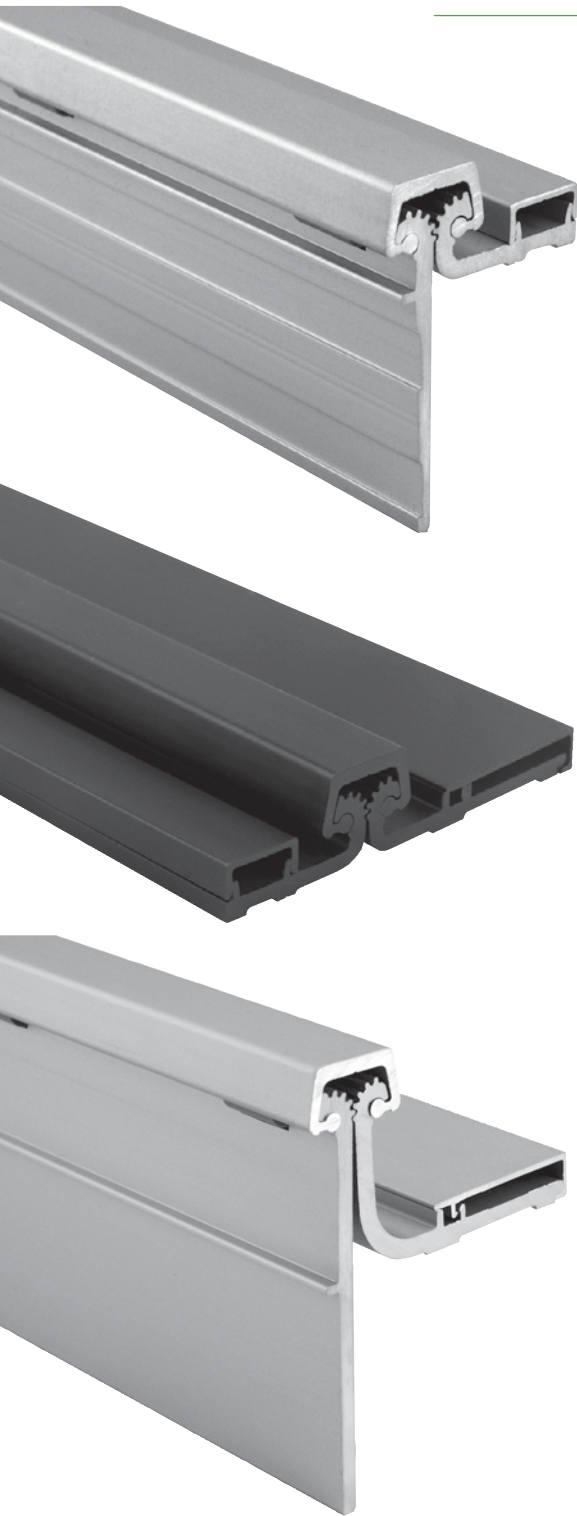
### CONTENTS:

What is PemkoHinge®?	66
Ordering Chart	66
BHMA Certification Program	67
Hospital Tip	67
Cycle Requirements and Weight Bearing	67
UL Fire Labeling	67
Options for Electrically Modified Continuous Geared Hinges	68
X-Series PemkoHinge®	69
Offset Hinges	70
Full Mortise Hinges	71
Special Full Mortise Hinges	72
Kawneer Full Mortise Hinges	73
Raised Gear Hinge	73
Full Mortise Safety Hinges	74
Wide Throw Full Mortise Hinges	75
Wide Throw Half Surface Hinges	75
Half Surface Hinges	76
Half Mortise Hinges	76
Full Surface Hinges	77
Full Surface Center Pivot Hinges	77
Full Surface Balanced Pivot Hinge	77
Full Mortise Residential Hinges	78
Firepins™	79
Double Swing Hinge	80
Emergency Release Stop	80
1000 Series Aluminum Double Swing Hinge	81
Power Transfer Units	82

### INDEX:

PRODUCT	PAGE	PRODUCT	PAGE	PRODUCT	PAGE
DSH	80	FM_SLI	71	SPFM	72
DSH1000	81	FM_SLISF	74	SPFM_SLF	72
EL-CEPT	82	FS	77	SPFM_SLI	72
EL-EPT	82	FS_CP	77	WT_FM	75
EL-EPTL	82	HM	76	WT_HS	75
EL-EPT-SC	82	HS	76	X25M	69
ERS	80	HS_SF	76	XF	69
FM	71	K_FM	73	XI	69
FM_RG	73	OS_FM	70	XK	69
FM_SF	74	OS_HS	70	XM	69
FM_SLF	71	RS138	78		
FM_SLF138	74	RS175	78		

NOTE: Products shown in this section may not be drawn to scale



## What is PemkoHinge®?

PemkoHinge® consists of two full-height, paired and geared leaves. Each geared leaf rotates evenly from top to bottom riding on proprietary polymer blended bearings. The geared leaves and bearings are held together by a full-length channel cap. This assembly retains the smooth, clean lines of the door and frame, while easily supporting heavy vertical loads.

## PemkoHinge®

### SECURITY, SAFETY, PRIVACY, LOW WEAR AND TEAR

#### PemkoHinge® Attributes:

- With a continuous hinge, typical alignment problems (such as door sag and binding) are eliminated
- The continuous hinge distributes load stress uniformly along the full length of the door and frame
- The gear design of the continuous hinge ensures symmetrical operation of each leaf
- ½ lb. or less operating force required to operate most doors, regardless of size
- Low operating force feature makes continuous hinges ideal for doors used by the physically challenged
- The continuous hinge, when installed on standard steel doors and frames, requires no additional reinforcement. However, hinge preps must have fillers installed for proper operation
- A high degree of security can be achieved for exterior openings or restricted spaces by using a continuous hinge. With the geared construction and the full-length channel cap, the common gap between the door and frame is sealed, which provides security against prying
- In addition, the continuous full-height hinge cap protects against pinching fingers in doors in public areas, particularly those where children are present
- Sight proof design of the continuous hinge provides privacy for lavatories, executive offices, or file rooms

#### PemkoHinge® Superior Design:

- PemkoHinge® has increased critical stress points of the hinge leaf extrusions providing additional strengths and rigidity to the completed product
- PemkoHinge® bearing design eliminates premature wear, guarantees proper alignment, and requires fewer bearings to carry more weight. The bearing is produced for Pemko using a chemical composition and injection process that provides a stronger, more accurately formed bearing
- PemkoHinge® is designed with inter-meshing gear segments in the hinge which provide 50% more bearing surface resulting in less wear
- PemkoHinge® goes through the anodizing process after completing all machining. This means the machined aluminum surfaces that are in direct contact with the bearing have a smoother, harder surface, thereby reducing wear
- PemkoHinge® maintains uniform bearing spacing for the full length of the hinge even when lengths exceed 10'
- Pemko uses self drilling No.12-24 x 11/16" Flat Head Undercut, Type C, thread-forming fasteners, no tapping required
- PemkoHinge® commercial models are ideal for use on lead lined doors (i.e. hospital X-ray rooms), without requiring special screw locations

### How To Order (Hinge Part Designations)

Example: D | SPFM | 85 | SLI | HD1

FINISHES		HINGE TYPES		LENGTHS		HINGE OPTIONS		CAPACITY	
BL	Black Anodized	FM	Full-Mortise	79	"blank"	Standard	"blank"	Standard Duty	
BSP	Black Suede Powder Coat*	FS	Full-Surface	83	CP	Center Pivot	HD1	Heavy Duty, Grade 1	
C	Clear Anodized	HS	Half-Surface	85	RG	Raised Gear	HD3	Heavy Duty, Grade 3	
D	Dark Bronze Anodized	RS138	Full-Mortise Residential: 1¾"	95	SF	Safety			
G	Gold Powder Coat	RS175	Full-Mortise Residential: 1¾"	120	SL	Short Leaf (residential only)			
SN	Satin Nickel Powder Coat	SPFM	Special Full-Mortise		SLF	Short Leaf Flush			
WSP	White Suede Powder Coat *	WT_FM	Wide Throw Full-Mortise		SLI	Short Leaf Inset			
10BE	Satin Bronze Powder Coat *	WT_HS	Half-Surface						

\*Only available on select profiles

**PEMKO**  
**ASSA ABLOY**

Experience a safer  
and more open world

800-824-3018 | [www.pemko.com](http://www.pemko.com)  
Check the web site for the up-to-date catalog

Copyright © 2015-2025, ASSA ABLOY Accessories and Door Controls Group, Inc., an ASSA ABLOY Group company. All rights reserved.  
Reproduction in whole or in part without the express written permission of ASSA ABLOY Accessories and Door Controls Group, Inc. is prohibited.

## BHMA Certification Program

This program was developed to establish product classifications through performance testing. Three grades (1, 2 and 3) of product classifications were established for continuous hinges, with three weight groups (150, 300 and 600) for each grade: Grade 3 being the lowest and Grade 1 being the highest classification. Each classification and weight group has a set of established cycle requirements and wear characteristics, with a minimum for vertical and lateral wear to establish a listing under a weight and grade classification, after the set number of cycles is completed.

Maximum Vertical Wear Allowable:

Grade 3 = 0.105"

Grade 2 = 0.030"

Grade 1 = 0.020"

Maximum Lateral Wear Allowable:

All Grades = 0.062"

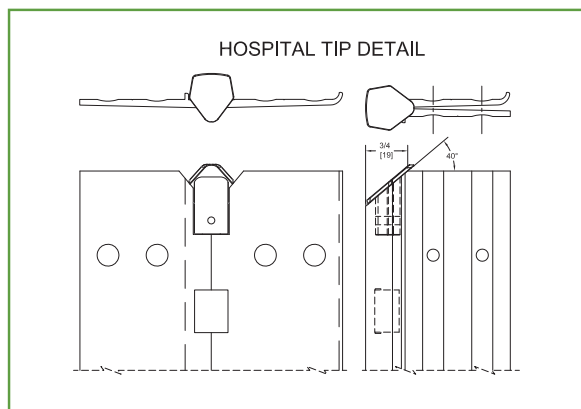
Cycle requirements range from Grade 3-600 requiring 100,000 cycles through Grade 1-150 requiring 2.5 million cycles.

For more information on certification testing or other product certification programs, please contact Pemko Customer Service.



## Hospital Tip

A special modification is available for certain hinges which provides a Hospital Tip Cap at the top of the gear cap, leaving no opening. A 45° angled cut on the gear cap and leaf covers provides a safe environment for hospitals and correctional facilities.



## Cycle Requirements - Per BHMA Standard ANSI/BHMA A156.26-2012

- Standard Duty Hinges (excluding \_RS175 & \_RS138) conform to Grade 3-150 and Grade 3-300
- HD3 Hinges conform to Grade 3-150, Grade 3-300, and Grade 3-600
- HD1 Hinges conform to Grade 2-150, Grade 1-300, and Grade 1-600
- 1100 Series and X-Series Hinges conform to Grade 1-150

## Weight Bearing - Per BHMA Standard ANSI/BHMA A156.26-2012

- This information pertains to all commercial models
- Heavier weight can be carried; please contact Customer Service for applications other than those listed in the chart
- Special hinge reinforcements are not required as hollow metal door and frame manufacturers' standard are acceptable. Removal of hinge reinforcements in the door and frame is not advised. Hinge preps must have fillers installed

## UL Fire Labeled 1½ & 3 Hour



- All models designated with these symbols are tested and certified by Underwriters Laboratories Inc.® (U.S.A. and Canada) to standards UL10B, UL10C and UBC7.2 (positive pressure) for a 1½-Hour Fire Listing for all 4'0" x 10'0" and 8'0" x 10'0" door and frame assemblies. Fire listing certifications apply to all approved hollow metal and wood door assemblies in drywall or masonry wall construction
- Special FirePins™ are only required on 3-Hour assemblies. Please refer to page 95 for illustrations and information regarding the application of Pemko FirePins™

- All hinges are supplied with standard fastener kits. Replacement kits/individual fasteners may be purchased separately
- Particle Board/TORX fasteners may be purchased separately. Full-mortise hinges require 40 each; half-surface hinges require 20 each; full-surface hinges require 12 each
- All half-surface and full-surface hinges are supplied with a snap cover for the door leaf. Replacement snap covers may be purchased separately

# ELECTRICALLY MODIFIED CONTINUOUS GEARED HINGES

## Electrical Modifications

- Pemko has vastly improved the cycle performance of the electrically modified hinge. Performance testing has shown that 3,000,000+ cycles can now be achieved using Pemko's exclusive polyurethane-coated 4, 8, or 12 TRI-FLEX titanium copper alloy cables. Each cable is capable of carrying 6 amps continuous or 16 amps in-rush @ 24-volts for 820 milliseconds. When ordering, please use the "shorthand code" shown in the chart page 82. For example, if you require a Clear Anodized standard Full-Mortise hinge at 83" with Quick Connect transfer - 4-wire, modified 36 $\frac{1}{4}$ " from the top, right hand, you would order a CFM83 with QC4 at 36 $\frac{1}{4}$ " from top - RH

## Options for Electrically Modified Continuous Geared Hinges

These options allow variable degrees of service to be performed at the specific locations of the current carrying cables by installing a serviceable/removable hinge which includes a removable module (SER), or installing a hinge with a pivoting accessible feature (ACC).

- Both options (SER & ACC) are available in 4 Wire (QC4), 8 Wire (QC8), 12 Wire (QC12) variants
- Available on FM, FS, HS, KFM, SLF, SLI, XF, XI, XK, XM, X25M Models

## Serviceable/Removable (SER) Module

The hinge is furnished to be installed in three sections allowing the current carrying cable to be serviced or replaced without removing the door from the frame. Additionally, the SER option allows the current carrying cables to be safely stored or delivered to the electrician or security contractor prior to the installation of the electrified hardware, eliminating the necessity of the electrician or security contractor being present when the doors are being hung.

**Product Numbering Example:** CFM83HD1xSER4

## Accessible (ACC) Feature

The hinge is furnished to be installed in a single section with the leaves modified to pivot at the location of the current carrying cable and allow access to the cables and connected wiring.

**Product Numbering Example:** CFM83HD1xACC4

## Concealed Magnetic Monitoring (CM)

Concealed magnetic monitoring is also available with the SER and ACC options. Magnetic monitor is supplied with monitor and an adjustable magnet.

**Product Numbering Example:** CFM83HD1xSER4xCM  
CFM83HD1xACC4xCM

## Customer Information Needed:

- Specify handing and prep location

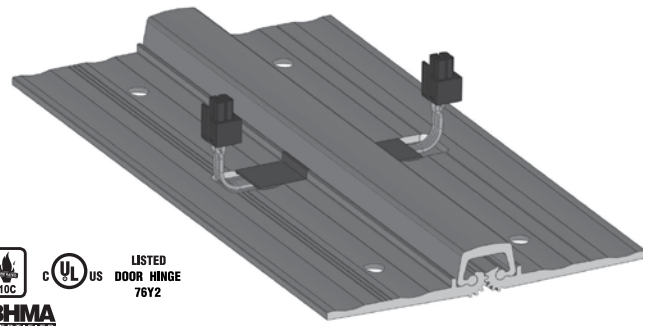
### Included:

- HD1, 1100 and X-Series model hinges using Molex connectors with ElectroLynx® are warranted for five (5) years. Standard duty and HD3 hinges are warranted for one (1) year

### ElectroLynx®

As part of their promise to provide innovative, fast and effective high security solutions to their customers, certain ASSA ABLOY Group brands offer ElectroLynx®, a universal quick-connect system that simplifies the electrification of the door opening.

ElectroLynx® is a registered trademark of ASSA ABLOY Inc.



Quick Connect Transfer For Full Mortise (FM) Hinges	QC4 4 WIRE	Quick Connect Transfer For Full Surface (FS) & Half Surface (HS) Hinges	QC4_S 4 WIRE
	QC8 8 WIRE		QC8_S 8 WIRE
	QC12 12 WIRE		QC12_S 12 WIRE

Additional Electrical Modifications Options Code	
Additional Length of Quick Connect Cable Leads	
Adjustable Concealed Magnetic Monitoring	CM
Power Transfer - Prep Only	PT

**PEMKO**  
**ASSA ABLOY**

Experience a safer  
and more open world

800-824-3018 | www.pemko.com  
Check the web site for the up-to-date catalog

Copyright © 2015-2025, ASSA ABLOY Accessories and Door Controls Group, Inc., an ASSA ABLOY Group company. All rights reserved. Reproduction in whole or in part without the express written permission of ASSA ABLOY Accessories and Door Controls Group, Inc. is prohibited.

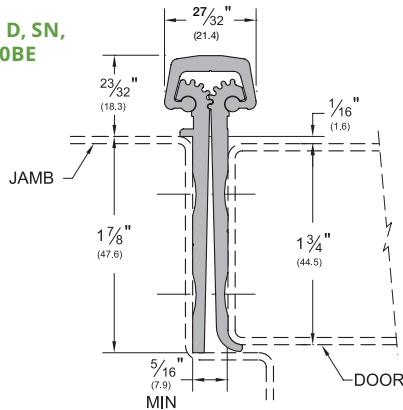
# X-SERIES HINGES

- Thicker leaves than traditional continuous geared hinge and requires no additional clearance
- X-Series Hinges are HD1 Grade as standard
- X-Series hinges allow for a deeper cavity for electrical wires when ordering an electrified hinge

## Full Mortise

XM\_

STANDARD FINISHES: **BSP, C, D, SN, WSP, 10BE**

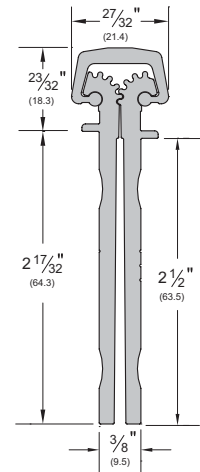


## Full Mortise for 2 1/2" Thick Door

- Wider hinge leaves to accommodate doors 2 1/2" thick

X25M\_

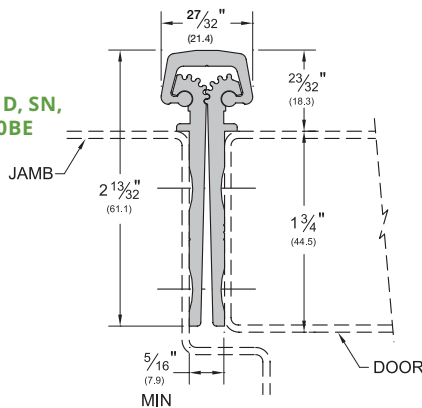
STANDARD FINISHES: **BSP, C, D, SN, WSP, 10BE**



## Short Leaf Flush

XF\_

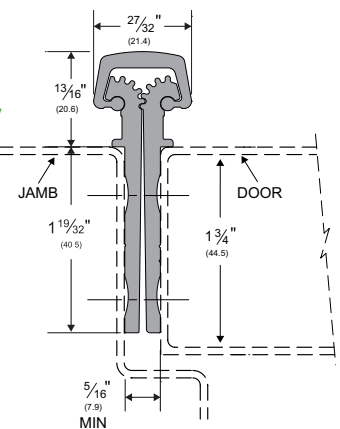
STANDARD FINISHES: **BSP, C, D, SN, WSP, 10BE**



## Kawneer Full Mortise

XK\_

STANDARD FINISHES: **BSP, C, D, SN, WSP, 10BE**

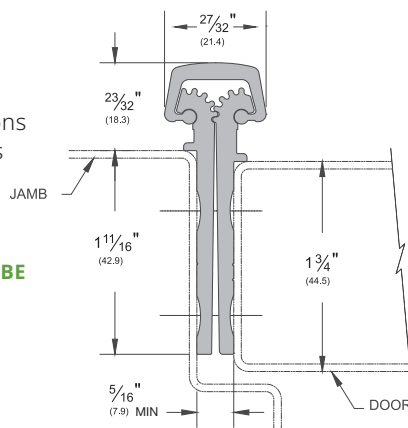


## Short Leaf Inset

- Designed for use with hollow metal doors where the inset conforms to S.D.I. specifications for aligning doors and frames

XI\_

STANDARD FINISHES: **BSP, C, D, SN, WSP, 10BE**



### AVAILABLE FINISHES FOR PRODUCTS SHOWN ON THIS PAGE

**10BE** (Satin Bronze Powder Coated Aluminum) **BSP** (Black Suede Powder Coated Aluminum) **C** (Clear Anodized) **D** (Dark Bronze Anodized) **SN** (Satin Nickel Powder Coated Aluminum) **WSP** (White Suede Powder Coated Aluminum)

800-824-3018 | www.pemko.com

Check the web site for the up-to-date catalog

Copyright © 2015-2025, ASSA ABLOY Accessories and Door Controls Group, Inc., an ASSA ABLOY Group company. All rights reserved. Reproduction in whole or in part without the express written permission of ASSA ABLOY Accessories and Door Controls Group, Inc. is prohibited.

**PEMKO**  
**ASSA ABLOY**

Experience a safer  
and more open world

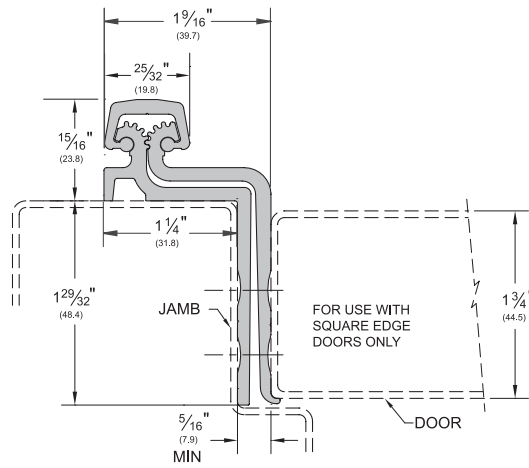
# OFFSET HINGES

- Used when extra clearance is needed when the door is open at 90°

## Offset Full Mortise

\_OS\_FM

STANDARD FINISHES: **C, D**

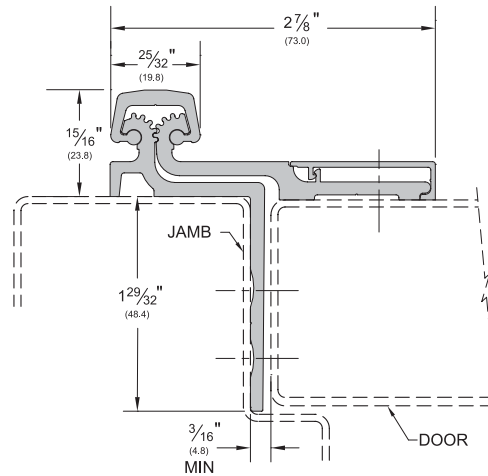


## Offset Half Surface

- Replacement snap cover is C1 for Clear Anodized or D1 for Dark Bronze Anodized

\_OS\_HS

STANDARD FINISHES: **C, D**



AVAILABLE FINISHES FOR PRODUCTS SHOWN ON THIS PAGE  
**C** (Clear Anodized) **D** (Dark Bronze Anodized)



Experience a safer and more open world

800-824-3018 | www.pemko.com  
 Check the web site for the up-to-date catalog

Copyright © 2015-2025, ASSA ABLOY Accessories and Door Controls Group, Inc., an ASSA ABLOY Group company. All rights reserved. Reproduction in whole or in part without the express written permission of ASSA ABLOY Accessories and Door Controls Group, Inc. is prohibited.

# FULL MORTISE HINGES

- Full-Mortise units are designed mainly for new door applications and are applied to the frame rabbet and door edge to conceal both leaves

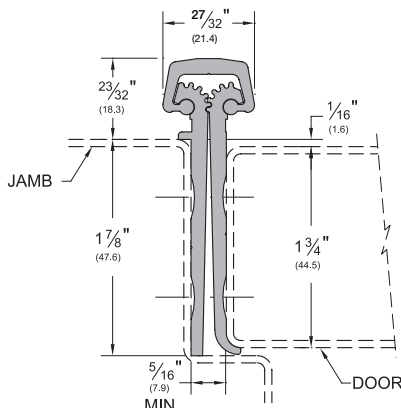
## Full Mortise

\_FM

STANDARD FINISHES: **BSP, C, D, SN, WSP, 10BE**



Evaluated in accordance with TAS201-94, TAS202-94, TAS203-94, ASTM E330, ASTM E1886, ASTM E1996, and ANSI A250.13 (includes PemKonnnect version)



## Modular Hinge Option

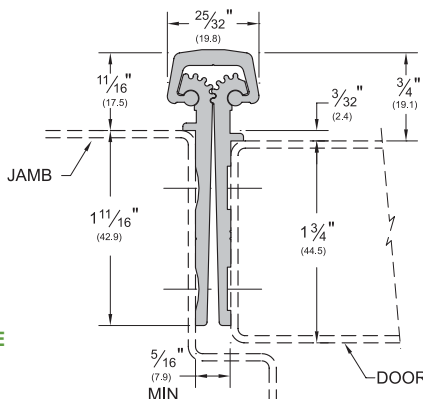
- Hinge is provided in 2 or 3 segments depending on length
- Hinges are packed in a shorter box and are easier to ship, transport, and store than traditional continuous hinges
- Available for select models, see price book for model availability

## Full Mortise Short Leaf Inset

- Designed for use with doors which range between 1 3/4" to 2 1/4"
- Designed for use with hollow metal doors and frames where the inset conforms to S.D.I. specifications for aligning doors and frames

\_FM\_SLI

STANDARD FINISHES: **BSP, C, D, SN, WSP, 10BE**



Evaluated in accordance with TAS201-94, TAS202-94, TAS203-94, ASTM E330, ASTM E1886, ASTM E1996, and ANSI A250.13

## Full Mortise Short Leaf Flush

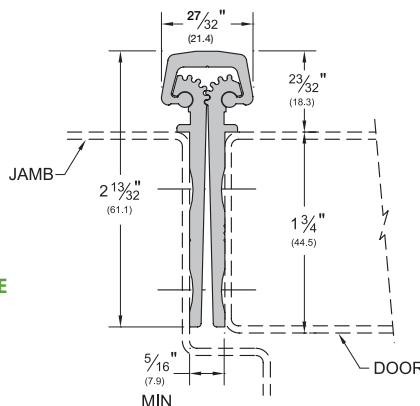
- Designed for use with doors which range between 1 3/4" to 2 1/4"
- Also used for bifold applications to keep the faces of the doors flush (not illustrated)

\_FM\_SLF

STANDARD FINISHES: **BSP, C, D, SN, WSP, 10BE**



Evaluated in accordance with TAS201-94, TAS202-94, TAS203-94, ASTM E330, ASTM E1886, ASTM E1996, and ANSI A250.13 (includes PemKonnnect version)



## Modular Hinge Option

- Hinge is provided in 2 or 3 segments depending on length
- Hinges are packed in a shorter box and are easier to ship, transport, and store than traditional continuous hinges
- Available for select models, see price book for model availability

### AVAILABLE FINISHES FOR PRODUCTS SHOWN ON THIS PAGE

**10BE** (Satin Bronze Powder Coated Aluminum) **BSP** (Black Suede Powder Coated Aluminum) **C** (Clear Anodized) **D** (Dark Bronze Anodized) **SN** (Satin Nickel Powder Coated Aluminum) **WSP** (White Suede Powder Coated Aluminum)

800-824-3018 | www.pemko.com

Check the web site for the up-to-date catalog

Copyright © 2015-2025, ASSA ABLOY Accessories and Door Controls Group, Inc., an ASSA ABLOY Group company. All rights reserved. Reproduction in whole or in part without the express written permission of ASSA ABLOY Accessories and Door Controls Group, Inc. is prohibited.



Experience a safer and more open world

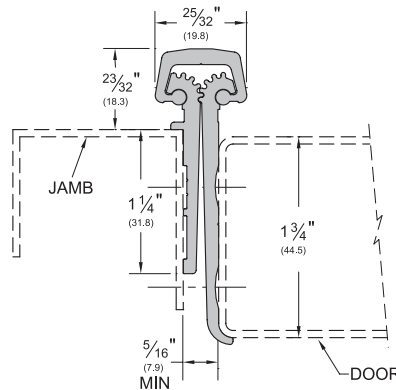
# SPECIAL FULL MORTISE HINGES

- Special Full-Mortise units are designed for door and frame applications where the hinge leaf may interfere with the weatherstrip, thermal break, or applied stop of the frame
- Special Full-Mortise hinges are applied to the frame rabbet and door edge to conceal both leaves

## Special Full Mortise

\_SPFM

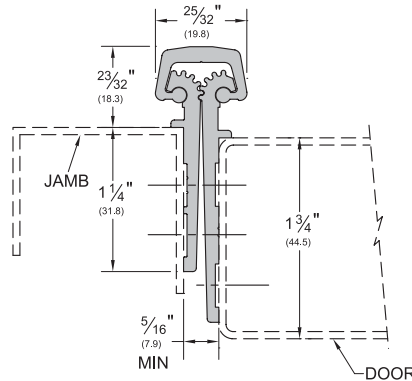
STANDARD FINISHES: **BSP, C, D, SN, WSP, 10BE**



## Special Full Mortise Short Leaf Inset

\_SPFM\_SLI

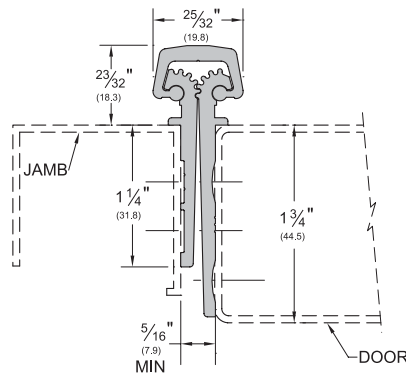
STANDARD FINISHES: **BSP, C, D, SN, WSP, 10BE**



## Special Full Mortise Short Leaf Flush

\_SPFM\_SLF

STANDARD FINISHES: **BSP, C, D, SN, WSP, 10BE**



AVAILABLE FINISHES FOR PRODUCTS SHOWN ON THIS PAGE

**10BE** (Satin Bronze Powder Coated Aluminum) **BSP** (Black Suede Powder Coated Aluminum) **C** (Clear Anodized) **D** (Dark Bronze Anodized) **SN** (Satin Nickel Powder Coated Aluminum) **WSP** (White Suede Powder Coated Aluminum)



Experience a safer and more open world

800-824-3018 | www.pemko.com  
Check the web site for the up-to-date catalog

Copyright © 2015-2025, ASSA ABLOY Accessories and Door Controls Group, Inc., an ASSA ABLOY Group company. All rights reserved. Reproduction in whole or in part without the express written permission of ASSA ABLOY Accessories and Door Controls Group, Inc. is prohibited.



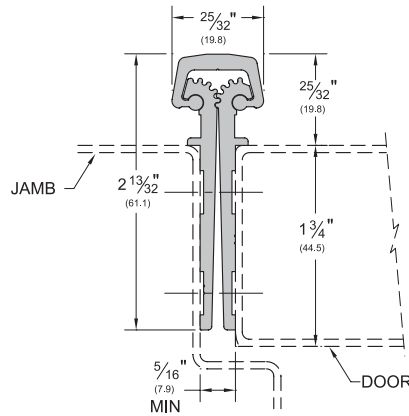
# FULL MORTISE HINGE

- Like our other Full Mortise units, the Kawneer Hinges are designed mainly for new door applications and are applied to the frame rabbet and door edge to conceal both leaves
- Developed for the Kawneer "Tuffline" series of aluminum doors

## Kawneer Full Mortise

K\_FM

STANDARD FINISHES: **BSP, C, D, SN, WSP, 10BE**



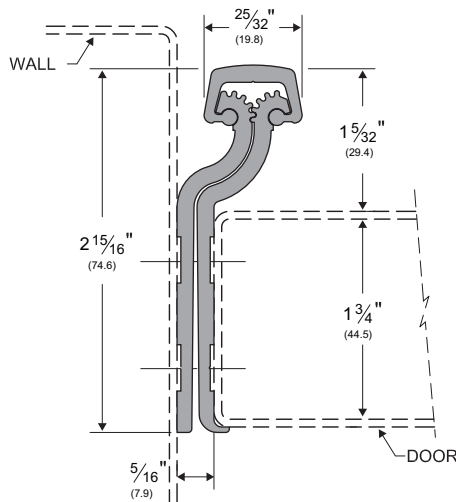
## Raised Gear Hinge

- Designed for wood or metal cased openings when hinge is to be installed deep on the rabbet. The design of the leaves allows for the hinge to pivot without interference from the cap.
- Certain door/frame conditions may require an extra 1/32" to 1/16" clearance. Excessive clearance on fire rated assemblies may violate the requirements of NFPA80
- Heavy duty version available only

## Full Mortise Raised Gear

\_FM\_RG

STANDARD FINISHES: **BSP, C, D, SN, WSP, 10BE**



### AVAILABLE FINISHES FOR PRODUCTS SHOWN ON THIS PAGE

**10BE** (Satin Bronze Powder Coated Aluminum) **BSP** (Black Suede Powder Coated Aluminum) **C** (Clear Anodized)  
**D** (Dark Bronze Anodized) **SN** (Satin Nickel Powder Coated Aluminum) **WSP** (White Suede Powder Coated Aluminum)

800-824-3018 | www.pemko.com

Check the web site for the up-to-date catalog

Copyright © 2015-2025, ASSA ABLOY Accessories and Door Controls Group, Inc., an ASSA ABLOY Group company. All rights reserved.  
 Reproduction in whole or in part without the express written permission of ASSA ABLOY Accessories and Door Controls Group, Inc. is prohibited.



Experience a safer and more open world

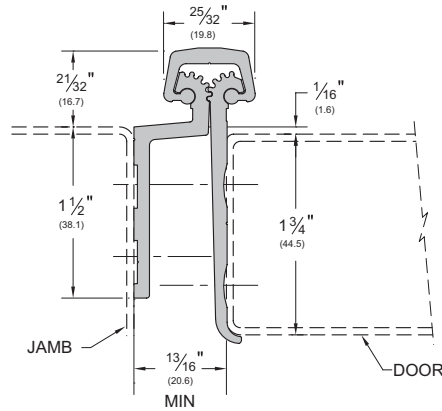
# FULL MORTISE SAFETY HINGE

- Full Mortise Safety units are designed mainly for new door applications in child care and nursing facilities
- These hinges require extra clearance and are applied to conceal both leaves

## Full Mortise Safety

\_FM\_SF

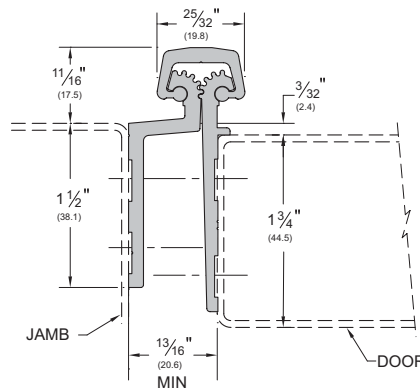
STANDARD FINISHES: **BSP, C, D, SN, WSP, 10BE**



## Full Mortise Short Leaf Inset Safety

\_FM\_SLISF

STANDARD FINISHES: **BSP, C, D, SN, WSP, 10BE**



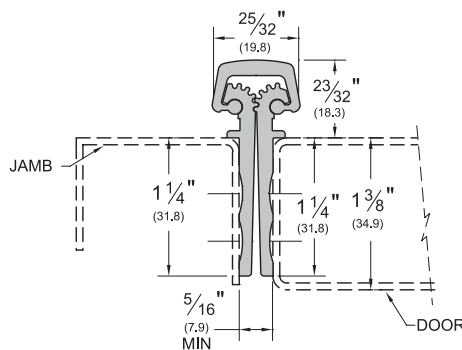
## Full Mortise Hinge for 1 3/8\" Door

- More bearings than \_RS138 hinge to work in commercial grade application
- Shorter leaves for thinner doors

## Full Mortise

FM\_SLF138

STANDARD FINISHES: **BSP, C, D, SN, WSP, 10BE**



AVAILABLE FINISHES FOR PRODUCTS SHOWN ON THIS PAGE

**10BE** (Satin Bronze Powder Coated Aluminum) **BSP** (Black Suede Powder Coated Aluminum) **C** (Clear Anodized) **D** (Dark Bronze Anodized) **SN** (Satin Nickel Powder Coated Aluminum) **WSP** (White Suede Powder Coated Aluminum)



Experience a safer and more open world

800-824-3018 | www.pemko.com  
Check the web site for the up-to-date catalog

Copyright © 2015-2025, ASSA ABLOY Accessories and Door Controls Group, Inc., an ASSA ABLOY Group company. All rights reserved. Reproduction in whole or in part without the express written permission of ASSA ABLOY Accessories and Door Controls Group, Inc. is prohibited.

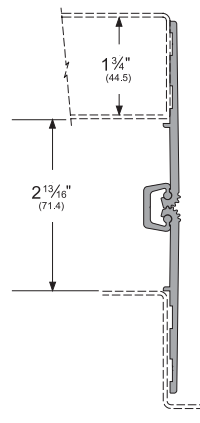
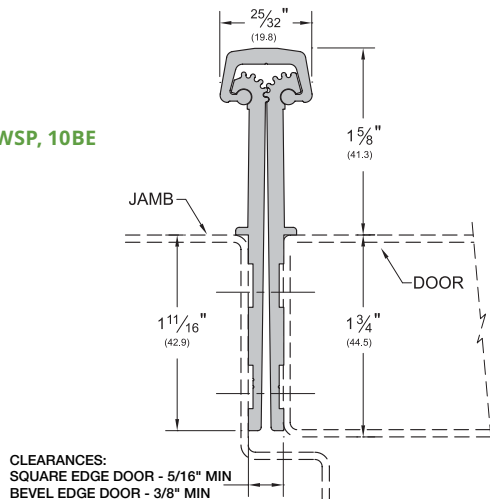
## WIDE THROW FULL MORTISE HINGE

- Wide Throw Full Mortise units are designed mainly for new door applications that require extra clearance due to special frame, door or wall design, and are applied to the frame rabbet and door edge to conceal both leaves
- More clearance between the door and frame when door is open 180°
- Available only in heavy duty to support larger doors

### Wide Throw Full Mortise

WT\_FM

STANDARD FINISHES: **BSP, C, D, SN, WSP, 10BE**



WT\_FM in full open position.

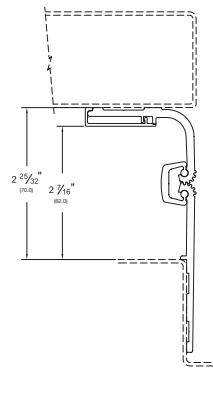
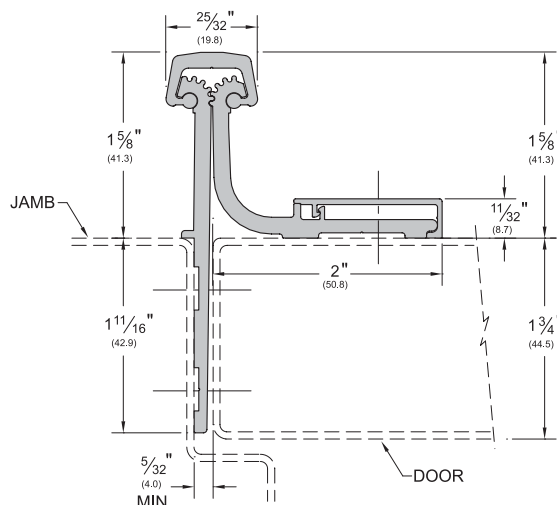
## WIDE THROW HALF SURFACE HINGE

- Wide Throw Half Surface units are designed mainly for retrofit applications that require extra clearance due to special frame, door, or wall design and are applied to the frame rabbet and the exposed door surface
- Wide Throw Half Surface units combine the versatility of the Half Surface unit and the clearance of a Wide Throw hinge into one
- Replacement snap cover is C1 for Clear Anodized or D1 for Dark Bronze Anodized

### Wide Throw Half Surface

WT\_HS

STANDARD FINISHES: **C, D**



WT\_HS in full open position.

AVAILABLE FINISHES FOR PRODUCTS SHOWN ON THIS PAGE AS INDICATED BY PROFILE

(see General Information section for finish chart)

**10BE** (Satin Bronze Powder Coated Aluminum) **BSP** (Black Suede Powder Coated Aluminum) **C** (Clear Anodized) **D** (Dark Bronze Anodized) **SN** (Satin Nickel Powder Coated Aluminum) **WSP** (White Suede Powder Coated Aluminum)

800-824-3018 | www.pemko.com

Check the web site for the up-to-date catalog

Copyright © 2015-2025, ASSA ABLOY Accessories and Door Controls Group, Inc., an ASSA ABLOY Group company. All rights reserved. Reproduction in whole or in part without the express written permission of ASSA ABLOY Accessories and Door Controls Group, Inc. is prohibited.

**PEMKO**  
**ASSA ABLOY**

Experience a safer  
and more open world

## HALF SURFACE HINGE

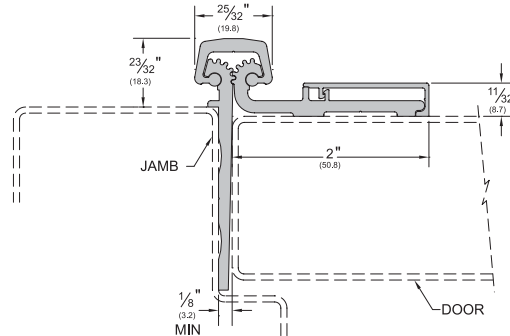
- Half Surface units are designed mainly for retrofit work, and are applied to the exposed surface of the door and the frame rabbet
- Designed for use with hollow metal frames, where the inset conforms to S.D.I. specifications for aligning doors and frames

- Allows for adjustments in order to properly align edge of the door to the frame
- Replacement snap cover is C1 for Clear Anodized or D1 for Dark Bronze Anodized

### Half Surface

\_HS

STANDARD FINISHES: **C, D**



## HALF SURFACE SAFETY HINGE

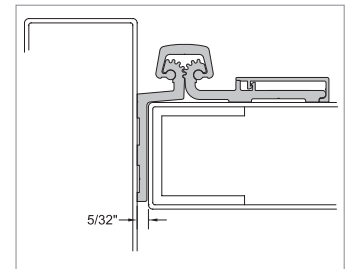
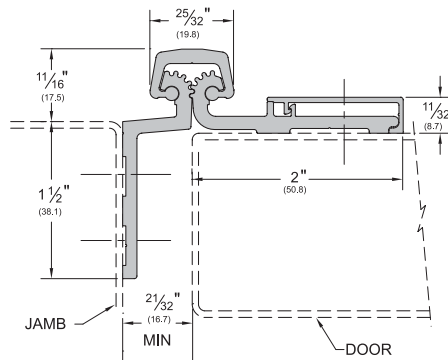
- Half Surface Safety units are designed mainly for retrofit work in child care and nursing facilities and are applied to the exposed surface of the door and the frame rabbet

- Replacement snap cover is C1 for Clear Anodized or D1 for Dark Bronze Anodized

### Half Surface Safety

\_HS\_SF

STANDARD FINISHES: **C, D**



HS\_SF in deep frame application is no longer a safety hinge

## HALF MORTISE HINGE

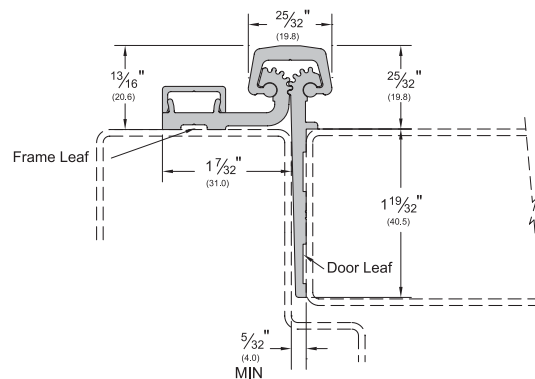
- Half Mortise units are designed mainly for retrofit work and are applied to the exposed surface of the frame and the door edge
- Designed to require only 5/32" clearance instead of 5/16" and also allows for adjustments to properly align edge of the door to the frame face

- Replacement snap cover is C29316 for Clear Anodized or D29316 for Dark Bronze Anodized

### Half Mortise

\_HM

STANDARD FINISHES: **C, D**



AVAILABLE FINISHES FOR PRODUCTS SHOWN ON THIS PAGE  
**C** (Clear Anodized) **D** (Dark Bronze Anodized)



Experience a safer and more open world

800-824-3018 | www.pemko.com  
 Check the web site for the up-to-date catalog

Copyright © 2015-2025, ASSA ABLOY Accessories and Door Controls Group, Inc., an ASSA ABLOY Group company. All rights reserved. Reproduction in whole or in part without the express written permission of ASSA ABLOY Accessories and Door Controls Group, Inc. is prohibited.

## STANDARD FULL SURFACE HINGE

- Full Surface units are designed mainly for retrofit work, and are applied to the exposed surfaces of the door and frame
- Replacement snap cover is C1 for Clear Anodized or D1 for Dark Bronze Anodized

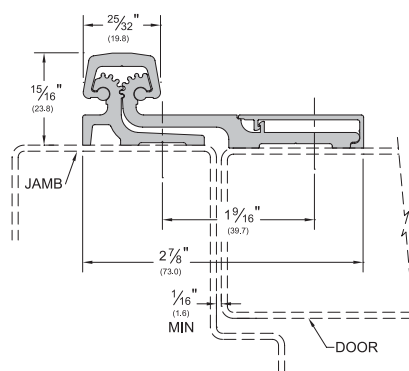
### Full Surface

\_FS

STANDARD FINISHES: **C, D**



Evaluated in accordance with TAS201-94, TAS202-94, TAS203-94, ASTM E330, ASTM E1886, ASTM E1996, and ANSI A250.13 (PemKonnnect version only)



### Modular Hinge Option

- Hinge is provided in 2 or 3 segments depending on length
- Hinges are packed in a shorter box and are easier to ship, transport, and store than traditional continuous hinges
- Available for select models, see price book for model availability

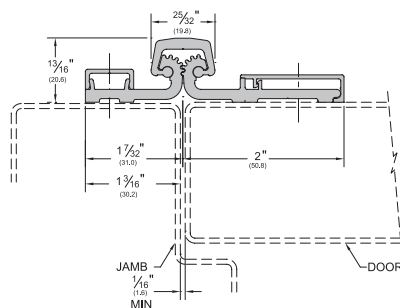
## FULL SURFACE CENTER PIVOT HINGE

- Full Surface Center Pivot units are designed mainly for retrofit work and are applied to the exposed surfaces of the door and frame
- Full Surface Center Pivot units easily replace butt hinges since no door or frame adjustments are necessary and are more versatile with restricted frame faces
- Replacement snap cover for door leaf is C1 for Clear Anodized or D1 for Dark Bronze Anodized. Replacement snap cover for frame leaf is C29316 for Clear Anodized or D29316 for Dark Bronze Anodized

### Full Surface Center Pivot

\_FS\_CP

STANDARD FINISHES: **C, D**



### Modular Hinge Option

- Hinge is provided in 2 or 3 segments depending on length
- Hinges are packed in a shorter box and are easier to ship, transport, and store than traditional continuous hinges
- Available for select models, see price book for model availability

AVAILABLE FINISHES FOR PRODUCTS SHOWN ON THIS PAGE  
**C** (Clear Anodized) **D** (Dark Bronze Anodized)

800-824-3018 | www.pemko.com  
 Check the web site for the up-to-date catalog

Copyright © 2015-2025, ASSA ABLOY Accessories and Door Controls Group, Inc., an ASSA ABLOY Group company. All rights reserved.  
 Reproduction in whole or in part without the express written permission of ASSA ABLOY Accessories and Door Controls Group, Inc. is prohibited.



Experience a safer  
 and more open world

# FULL MORTISE RESIDENTIAL HINGES

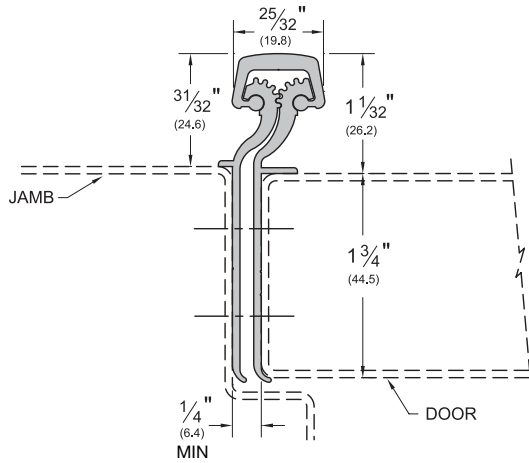
- Full Mortise Residential units are designed mainly for new door and frame applications, and are applied to conceal both leaves

NOTE: All RS series hinges are excluded from the "LIFE OF THE OPENING" guarantee, and instead carry a ten (10) year warranty

## \_RS175

STANDARD FINISHES: **C, D**

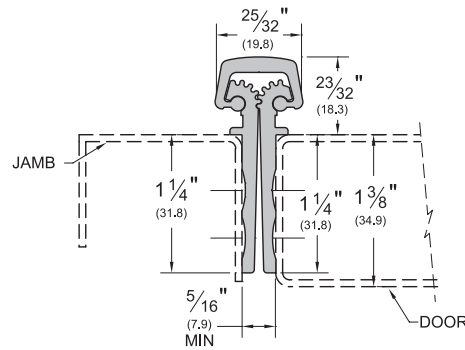
- Designed for 1<sup>3</sup>/<sub>4</sub>" MAXIMUM thickness with a weight up to 90 lbs.



## \_RS138

STANDARD FINISHES: **C, D**

- Shorter leaves for thinner doors
- Designed for doors 1<sup>3</sup>/<sub>8</sub>" thick with a weight limit up to 90 lbs.



AVAILABLE FINISHES FOR PRODUCTS SHOWN ON THIS PAGE  
**C** (Clear Anodized) **D** (Dark Bronze Anodized)



Experience a safer and more open world

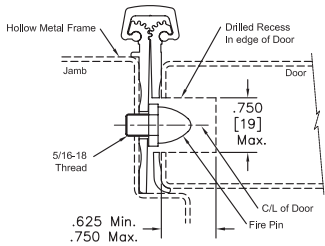
800-824-3018 | [www.pemko.com](http://www.pemko.com)  
 Check the web site for the up-to-date catalog

Copyright © 2015-2025, ASSA ABLOY Accessories and Door Controls Group, Inc., an ASSA ABLOY Group company. All rights reserved. Reproduction in whole or in part without the express written permission of ASSA ABLOY Accessories and Door Controls Group, Inc. is prohibited.

# FIREPINS FOR USE WITH 3-HOUR FIRE RATED ASSEMBLIES

- FirePins™ are required to achieve 3-hour fire rating
- Although PemkoHinge® Continuous Hinges carry UL Fire Ratings unequalled in the industry, some applications may require the use of FirePins™
- FirePin™ applications fall within the UL guidelines for retro-fitting assemblies in the field. Expensive shop modifications and door/frame reinforcements are not required
- FirePins™ also add extra security to a door assembly

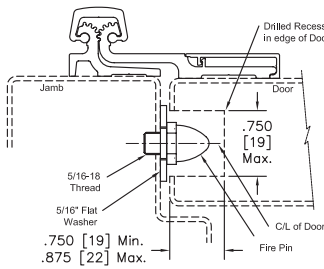
## Full Mortise Hinges



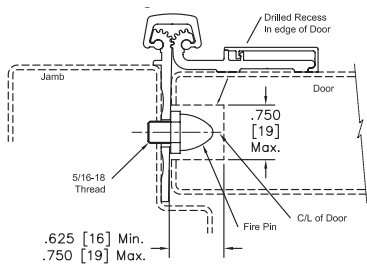
### FirePin Locations

- The locations (illustrated right) indicate where holes should be drilled on the hinge edge of the door
- These locations are appropriate for all hinge models (Full Mortise, Full Surface, and Half Surface)

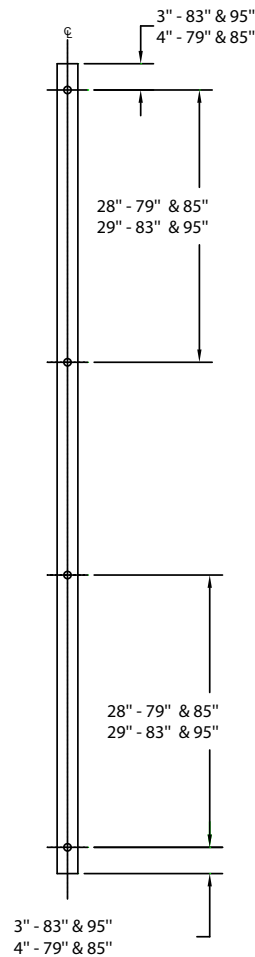
## Full Surface Hinges



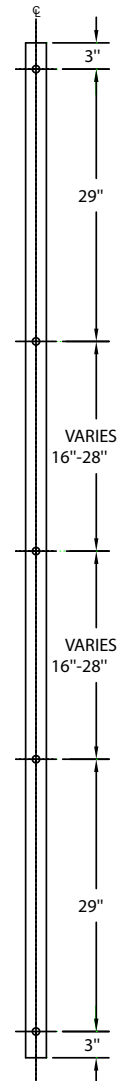
## Half Surface Hinges



### 80" to 95" Hinges



### 96" to 120" Hinges



# DOUBLE SWING HINGE AND EMERGENCY RELEASE STOP

- Innovative healthcare solution that permits quick door opening in an emergency situation
- Double Swing Hinge has a unique 100° swing and allows the door to swing in either direction
- Emergency Release Stop features a special flush bolt that is used to release the door in an emergency situation. Hospital tip is standard.
- The Pemko DSH1000 Pin & Barrel Double Swing Hinge is an option to use with the Emergency Release Stop to create an anti-barricade system.
- Order form required, available online.

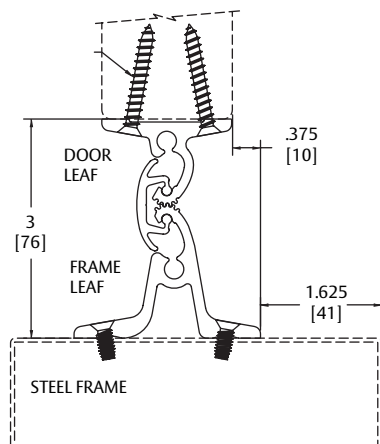
## Double Swing Hinge

- Meets the cycle test requirements for ANSI/BHMA A156.26 for Continuous Hinges.
- Meets the barrier free requirements of ICC/ANSI A117.1 and ADAAG (2010)

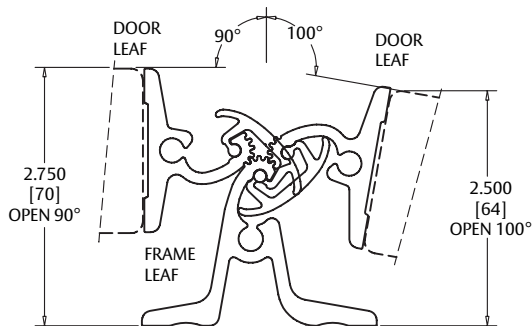
### DSH\_

AVAILABLE FINISHES: **C**

- Designed for 1<sup>3</sup>/<sub>4</sub>" MAXIMUM thickness with a weight up to 250 lbs.



Hinge Size	Opening	Clear Anodized
84"	7' 0"	DSHP01C-84
96"	8' 0"	DSHP01C-96
120"	10' 0"	DSHP01C-120



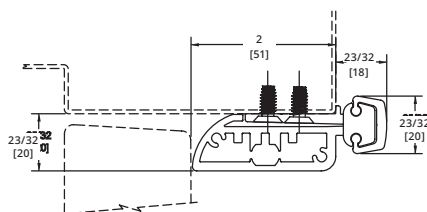
NOTE: DSH1000 Pin & Barrel Double Swing Hinge shown on page 95

## Emergency Release Stop

- Minimum 2<sup>3</sup>/<sub>4</sub>" backset for hardware trim
- NOTE: With 2<sup>3</sup>/<sub>4</sub>" hardware trim backset, a Notch is required in the ERS to clear the hardware trim. The type of Notch is determined by the manufacturer based on the information provide on the order form.
- To avoid using an extended lip strike, use a single rabbit jamb on strike side of frame only with cased open header and hinge jamb.

### ERS\_

AVAILABLE FINISHES: **C**



Hinge Size	Opening	Clear Anodized - Left Hand	Clear Anodized - Right Hand
84"	7' 0"	ERS84CxHT-LH	ERS84CxHT-RH
96"	8' 0"	ERS96CxHT-LH	ERS96CxHT-RH
120"	10' 0"	ERS120CxHT-LH	ERS120CxHT-RH

AVAILABLE FINISHES FOR PRODUCTS SHOWN ON THIS PAGE  
**C** (Clear Anodized)



Experience a safer and more open world

800-824-3018 | www.pemko.com  
Check the web site for the up-to-date catalog

Copyright © 2015-2025, ASSA ABLOY Accessories and Door Controls Group, Inc., an ASSA ABLOY Group company. All rights reserved. Reproduction in whole or in part without the express written permission of ASSA ABLOY Accessories and Door Controls Group, Inc. is prohibited.



# PEMKO 1000 SERIES ALUMINUM PIN & BARREL CONTINUOUS HINGES

## Short Form Architectural Specification:

Continuous hinges shall be full height piano-type hinge providing full height door support.

- Supports weights up to 600 lbs. 4'0" maximum door width
- Material to be extruded aluminum 6063-T6 alloy
- .250" diameter stainless pin (rod)
- Each knuckle 4", including nylon bearing at each separation for a quiet, smooth, self-lubricating operation
- Finish: Clear Anodized (628)
- All hinges shall be furnished with manufacturer's recommended hardware pack per specific model application
- Exterior barrel diameter .750" (3/4")
- Hinges certified ANSI/BHMA Standard A 156.26 Grade 1
- Symmetrically templated hole pattern

*Note: 25-Year Warranty on all Continuous Pin & Barrel Hinges*

# PEMKO DSH1000 DOUBLE SWING HINGE

## Standard Features

### Barrel Type Hinge

.250" diameter stainless steel pin (rod)

Medical bearings

### Material

6063-T6 aluminum alloy

### Finishes

Clear Anodized (628)

Order form required, available online.

### Standards

ANSI/BHMA Standard A156.26 Grade 1

### Mounting Hardware

12-24 x 11/16" Torx Flat Head Undercut TEK Screws  
#12-8 Torx Flat Head Particle Board Screw

### Capacity

Supports weights up to 600lbs. 4'0" maximum door width

### Standard Sizes

7'0", 8'0"

### Hole Pattern

Symmetrically templated

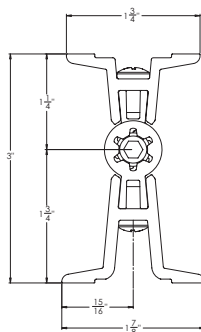
### Handing

Handing not required

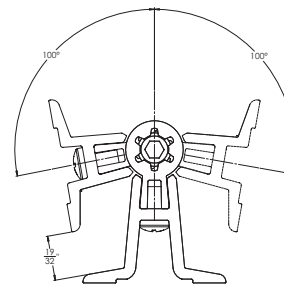
### CMS Compliant

Eliminating additional ligature points ensures compliance for reimbursement through CMS (Centers for Medicare and Medicaid Services)

This door edge mounted aluminum pin & barrel type hinge has a unique feature that allows the door to swing in either direction up to 100°. When used in conjunction with Pemko Emergency Release Stop (ERS) provides an anti-barricade system.



Door Closed



Door Open 100° Either Direction

# POWER TRANSFERS

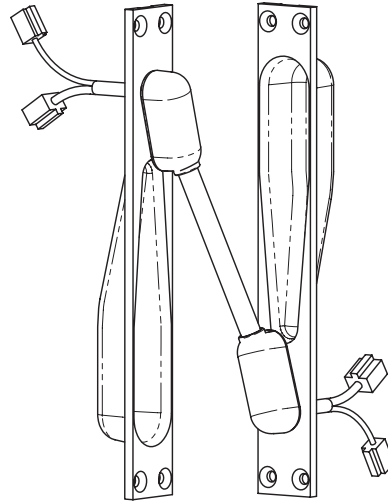
- These Securitron electronic power transfer units fit into doors and frames to transfer power from your power supply to the door-mounted electronic device

- Contact your hinge manufacturer for cutout availability
- Order form required, available online

## EL-CEPT

AVAILABLE COLORS:  
**US32D, US10B**

- Mortises into the edges of the door and frame
- Tamper-resistant; no exposed openings
- All metal construction, including backboxes
- 7/8" knockouts on back boxes to accommodate EMF-type fitting
- 12-wire configuration with ElectroLynx compatible connectors
- Tested to 1,000,000 cycles
- Will not work on center-hung or balanced doors
- Works with most continuous hinges, up to 6" wide
- UL10B and UL10C listed



## EL-EPT

AVAILABLE COLORS:  
**US2C**

- Installs in the door and frame edges
- Flexible steel shield protects wires—3/8" (9.5mm) I.D.
- New universal device; works with most butt and continuous hinges
- Not for use with center pivot doors or with pivot hinges with offset greater than 3/4"
- UL634, UL10B, UL10C Listed
- ANSI A250.13-2003-Windstorm Resistant



## EL-EPTL

AVAILABLE COLORS:  
**US2C**

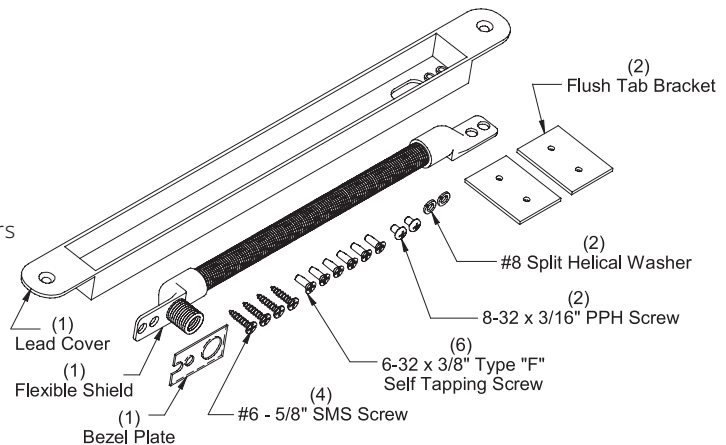
- Installs in the door and frame edges
- Flexible steel shield protects wires—3/8" (9.5mm) I.D.
- New universal device; works with most butt and continuous hinges
- Not for use with center pivot doors or with pivot hinges with offset greater than 3/4"
- UL634, UL10B, UL10C Listed
- ANSI A250.13-2003-Windstorm Resistant



## EL-EPT-SC

AVAILABLE COLORS:  
**US2C**

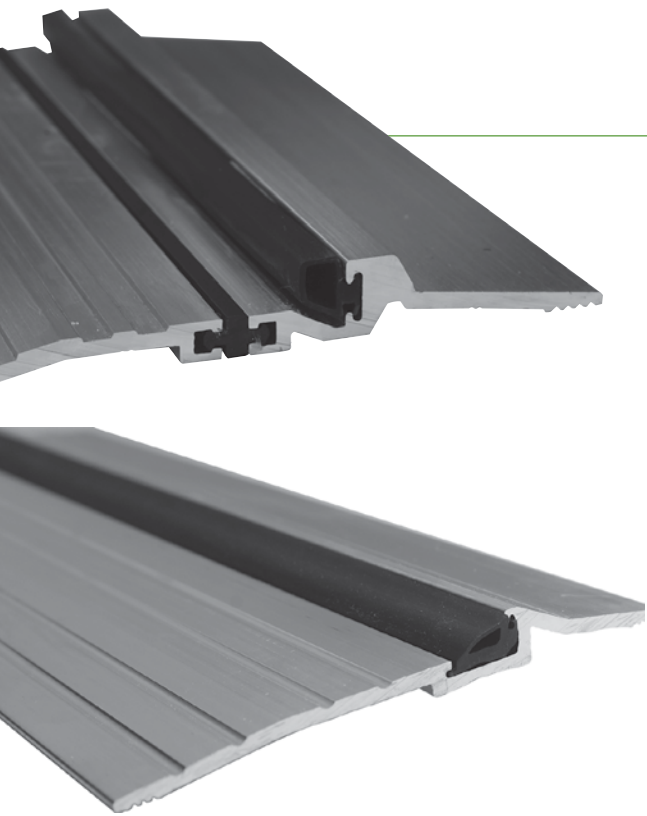
- Installs in the door and frame edges
- Flexible steel shield protects wires—3/8" (9.5mm) I.D.
- New universal device; works with most butt and continuous hinges
- Functions on off-set pivot and swing clear hinged doors
- UL634, UL10B, UL10C Listed
- ANSI A250.13-2003-Windstorm Resistant



Experience a safer  
and more open world

800-824-3018 | [www.pemko.com](http://www.pemko.com)  
Check the web site for the up-to-date catalog

Copyright © 2015-2025, ASSA ABLOY Accessories and Door Controls Group, Inc., an ASSA ABLOY Group company. All rights reserved. Reproduction in whole or in part without the express written permission of ASSA ABLOY Accessories and Door Controls Group, Inc. is prohibited.



# COMMERCIAL THRESHOLDS

## CONTENTS:

Saddle Thresholds .....	84
Half Saddle Thresholds .....	89
Offset Saddles and Offset Half Saddles .....	91
Stainless Steel Saddles .....	92
Stainless Steel Half Saddles and Offset Saddles .....	92
Thermal Break Saddles .....	93
Stainless Steel Thermal Break Threshold .....	96
Latching Panic Exit Saddles .....	97
Latching Panic Exit Saddles - Thermal Break .....	101
Acoustic Thresholds .....	104
Threshold with Flexible Joint .....	104
Concealed Fastener Thresholds .....	105
Eco-V™ Thresholds .....	106
Adjustable-Width Eco-V™ Threshold .....	107
Heavy Duty Latching Panic Exit Saddle Threshold .....	108
Heavy Duty Thresholds .....	108
Modular Heavy Duty Thresholds .....	109
Floor Plates/Safety Treads .....	110
Aluminum Plates .....	111
Carpet Separators .....	112
Floor Plate Supports/Accessories and Elevators .....	113
Threshold Stop Strips .....	114
Floor Closer Thresholds/Cover Plate Assemblies .....	115
ANSI/BHMA A156.21 Thresholds - Cross Reference .....	116

## INDEX:

PRODUCT	PAGE	PRODUCT	PAGE	PRODUCT	PAGE	PRODUCT	PAGE
14/1 .....	111	195 .....	113	254x226_FG .....	101	279x224_FG .....	102
18/1 .....	111	196 .....	113	255 .....	90	279x292_FGPK .....	103
151 .....	84	200 .....	113	255x5 .....	88	282 .....	113
154 .....	86	227 .....	110	255x5_FG .....	94	283 .....	113
154SS .....	92	228 .....	110	255x 226 .....	100	290 .....	114
157 .....	91	229 .....	110	255x226_FG .....	101	566 .....	91
158 .....	91	230 .....	112	256 .....	90	566x3_FG .....	95
158SS .....	92	236 .....	112	256x6 .....	88	573x5_FG .....	104
159 .....	99	252 .....	90	256x6_FG .....	93	650 .....	105
166 .....	86	252SS .....	92	257x259 .....	115	651 .....	105
169 .....	86	252x2_FG .....	94	270 .....	84	671 .....	105
170 .....	86	252x2SSFG .....	96	271 .....	84	766 .....	91
171 .....	87	252x3_FG .....	94	272 .....	84	766x3_FG .....	95
172 .....	87	252x3SSFG .....	96	273 .....	89	1547 .....	86
173 .....	84	252x4SSFG .....	96	273x3_FG .....	93	1710 .....	87
174 .....	112	252x226 .....	100	273x4_FG .....	93	1715 .....	108
175 .....	86	252x226_FG .....	101	273x224_FG .....	102	1716 .....	109
175SS .....	92	253 .....	90	273x292_FGPK .....	103	1717 .....	109
176 .....	87	253SS .....	92	274 .....	89	1718 .....	109
176 .....	115	253x3_FG .....	94	274x4 .....	85	1719 .....	109
176x170 .....	115	253x3SS FG .....	96	274x4_FG .....	93	1842 .....	114
176x171 .....	115	253x4_FG .....	94	274x4x270 .....	115	1855 .....	99
177 .....	99	253x4SS FG .....	96	274x4x271 .....	115	1951 .....	112
179 .....	98	253x6_FG .....	95	274x224_FG .....	102	2001 .....	97
181 .....	99	253x226_FG .....	101	274x292_FGPK .....	103	2002 .....	97
182 .....	91	254 .....	90	276 .....	85	2005 .....	97
183 .....	113	254SS .....	92	276 .....	115	2006 .....	97
184 .....	114	254x4 .....	88	276x270 .....	115	2006STC .....	104
185 .....	100	254x4_FG .....	95	276x271 .....	115	2008 .....	104
190 .....	110	254x4SS FG .....	96	277 .....	98	2009 .....	98
191 .....	110	254x4x170 .....	115	278 .....	89	2010 .....	98
192 .....	110	254x4x171 .....	115	278x224_FG .....	102	2266 .....	110
193 .....	110	254x5_FG .....	95	278X292_FGPK .....	103	2286 .....	110
193x2/195 .....	115	254x226 .....	100	279 .....	89	2364 .....	112
						2548 .....	87
						2548 .....	115
						2548x170 .....	115
						2548x171 .....	115
						2549 .....	88
						2550 .....	88
						2555 .....	90
						2565 .....	90
						2705 .....	108
						2715 .....	108
						2716 .....	108
						2727 .....	91
						2746 .....	89
						2746x6 .....	85
						2746x6_FG .....	93
						2746x292_FGPK .....	103
						2748 .....	85
						2748 .....	115
						2748x270 .....	115
						2748x271 .....	115
						2749 .....	85
						2750 .....	85
						2755 .....	89
						19125 .....	111
						ADJ232V8 .....	107
						ADJ232V14 .....	107
						ADJ232x2325V8 .....	107
						EV232 .....	106
						EV2320 .....	106
						EV2322 .....	106
						EV2325 .....	106
						EV2326 .....	106

800-824-3018 | [www.pemko.com](http://www.pemko.com)

Check the web site for the up-to-date catalog

Copyright © 2015-2025, ASSA ABLOY Accessories and Door Controls Group, Inc., an ASSA ABLOY Group company. All rights reserved. Reproduction in whole or in part without the express written permission of ASSA ABLOY Accessories and Door Controls Group, Inc. is prohibited.

**PEMCO**  
**ASSA ABLOY**

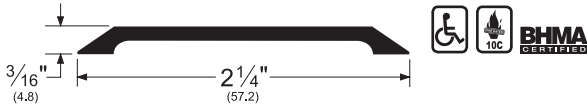
Experience a safer  
and more open world

## SADDLE THRESHOLDS

- To use a saddle threshold in an offset condition, use an elevator (see page 131)

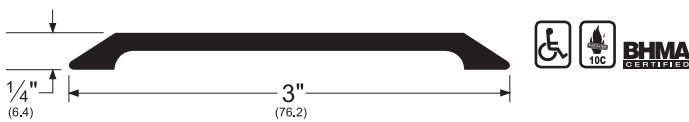
### 173\_

AVAILABLE FINISHES: **10BE, A, BSP, D, WSP**  
ANSI (aluminum): **J32300, J32330**



### 151\_

AVAILABLE FINISHES: **10BE, A, BSP, D, WSP**  
ANSI (aluminum): **J32300, J32330**



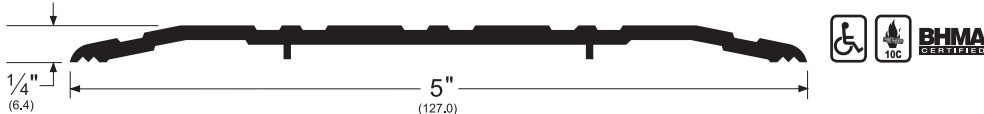
### 270\_

AVAILABLE FINISHES: **10BE, A, B, BSP, D, G, WSP**  
ANSI (aluminum): **J32100, J32130**  
ANSI (brass): **J12300, J12330**



### 271\_

AVAILABLE FINISHES: **10BE, A, B, BSP, D, G, SN, WSP**  
ANSI (aluminum): **J32100, J32130**  
ANSI (brass): **J12100, J12130**



### 272\_

AVAILABLE FINISHES: **10BE, A, B, BSP, D, G, WSP**  
ANSI (aluminum): **J32100, J32130**  
ANSI (brass): **J12100, J12130**



NOTE: Products shown in this section may not be drawn to scale.

AVAILABLE FINISHES FOR PRODUCTS SHOWN ON THIS PAGE

**10BE** (Satin Bronze Powder Coated Aluminum) **A** (Mill Finish Aluminum) **B** (Mill Finish Extruded Bronze [Brass])  
**BSP** (Black Suede Powder Coated Aluminum) **D** (Dark Bronze Anodized) **G** (Gold Anodized)  
**SN** (Satin Nickel Anodized) **WSP** (White Suede Powder Coated Aluminum)

NOTE: **G, SN** are available with limited inventory

**PEMKO**  
**ASSA ABLOY**

Experience a safer  
and more open world

800-824-3018 | [www.pemko.com](http://www.pemko.com)  
Check the web site for the up-to-date catalog

Copyright © 2015-2025, ASSA ABLOY Accessories and Door Controls Group, Inc., an ASSA ABLOY Group company. All rights reserved.  
Reproduction in whole or in part without the express written permission of ASSA ABLOY Accessories and Door Controls Group, Inc. is prohibited.

## SADDLE THRESHOLDS *(Cont.)*

### 276\_

AVAILABLE FINISHES: **10BE, A, BSP, D, WSP**

ANSI (aluminum): **J32100, J32130, J39100, J39130, J39135, J39150**



### 2748\_

AVAILABLE FINISHES: **10BE, A, BSP, D, WSP**

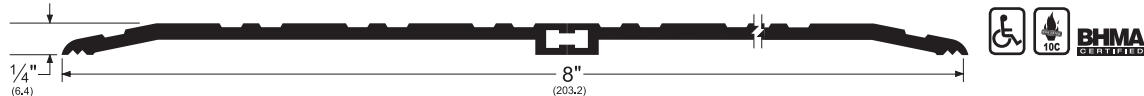
ANSI (aluminum): **J32100, J32130, J39100, J39130, J39135, J39150**



### 274x4\_

AVAILABLE FINISH: **B**

ANSI (brass): **J12100, J12130, J19100, J19130, J19135, J19150**

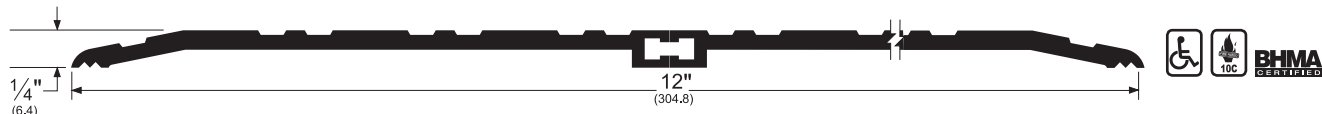


Welded on bottom.

### 2746x6\_

AVAILABLE FINISHES: **10BE, A, BSP, D, WSP**

ANSI (aluminum): **J32100, J32130**

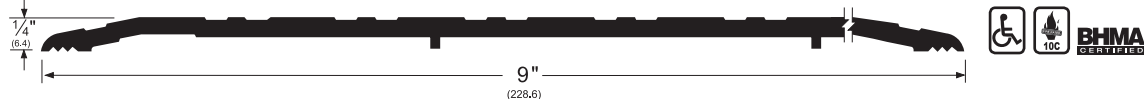


Welded on bottom.

### 2749\_

AVAILABLE FINISHES: **10BE, A, BSP, D, WSP**

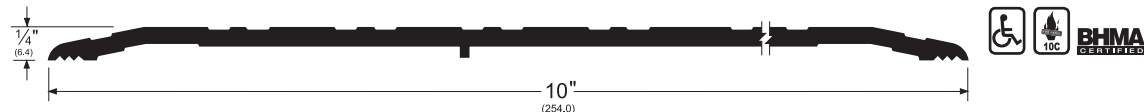
ANSI (aluminum): **J32100, J32130**



### 2750\_

AVAILABLE FINISHES: **10BE, A, BSP, D, WSP**

ANSI (aluminum): **J32100, J32130**



Includes two support legs (only one shown due to break in drawing)

NOTE: Products shown in this section may not be drawn to scale.

AVAILABLE FINISHES FOR PRODUCTS SHOWN ON THIS PAGE

**10BE** (Satin Bronze Powder Coated Aluminum) **A** (Mill Finish Aluminum) **B** (Mill Finish Extruded Bronze [Brass])  
**BSP** (Black Suede Powder Coated Aluminum) **D** (Dark Bronze Anodized) **WSP** (White Suede Powder Coated Aluminum)

800-824-3018 | [www.pemko.com](http://www.pemko.com)

Check the web site for the up-to-date catalog

Copyright © 2015-2025, ASSA ABLOY Accessories and Door Controls Group, Inc., an ASSA ABLOY Group company. All rights reserved.  
 Reproduction in whole or in part without the express written permission of ASSA ABLOY Accessories and Door Controls Group, Inc. is prohibited.

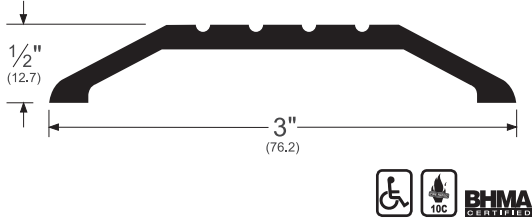
**PEMKO**  
**ASSA ABLOY**

Experience a safer  
 and more open world

# SADDLE THRESHOLDS *(Cont.)*

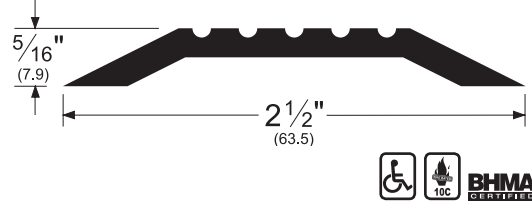
169\_

AVAILABLE FINISHES: **10BE, A, BSP, D, WSP**  
ANSI (aluminum): **J32100, J32130**



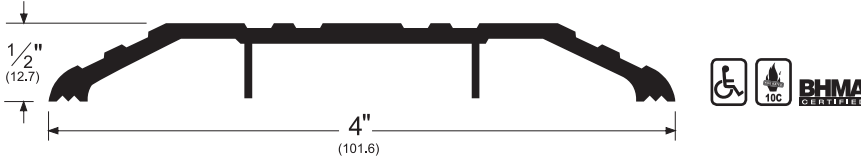
166\_

AVAILABLE FINISHES: **10BE, A, BSP, D, WSP**  
ANSI (aluminum): **J32100, J32130**



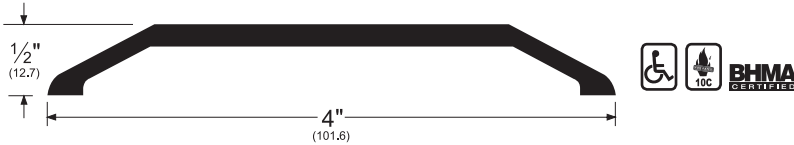
170\_

AVAILABLE FINISHES: **10BE, A, B, BDG, BSP, D, WSP**  
ANSI (aluminum): **J32100, J32130**  
ANSI (brass): **J12100, J12130**



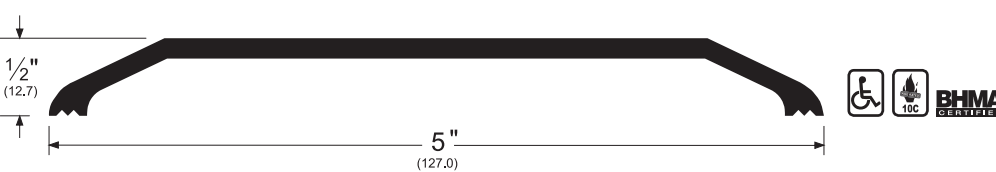
175\_

AVAILABLE FINISHES: **10BE, A, B, BSP, D, WSP**  
ANSI (aluminum): **J32300, J32330**  
ANSI (brass): **J12300, J12330**



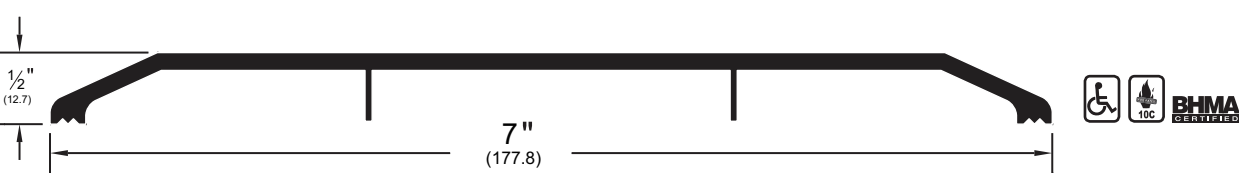
154\_

AVAILABLE FINISHES: **10BE, A, BSP, D, WSP**  
ANSI (aluminum): **J32300, J32330**



1547\_

AVAILABLE FINISHES: **10BE, A, BSP, D, WSP**  
ANSI (aluminum): **J32300, J32330**



NOTE: Products shown in this section may not be drawn to scale.

AVAILABLE FINISHES FOR PRODUCTS SHOWN ON THIS PAGE

**10BE** (Satin Bronze Powder Coated Aluminum) **A** (Mill Finish Aluminum) **B** (Mill Finish Extruded Bronze [Brass])  
**BDG** (Bright Dip Gold Anodized) **BSP** (Black Suede Powder Coated Aluminum) **D** (Dark Bronze Anodized)  
**WSP** (White Suede Powder Coated Aluminum)

**PEMKO**  
**ASSA ABLOY**

Experience a safer  
and more open world

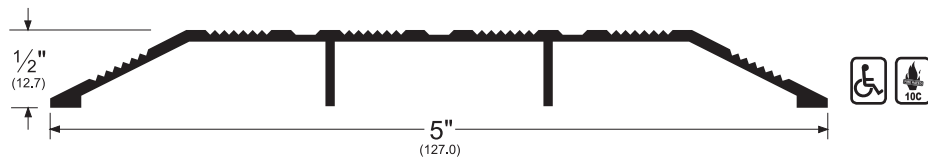
800-824-3018 | [www.pemko.com](http://www.pemko.com)  
Check the web site for the up-to-date catalog

Copyright © 2015-2025, ASSA ABLOY Accessories and Door Controls Group, Inc., an ASSA ABLOY Group company. All rights reserved.  
Reproduction in whole or in part without the express written permission of ASSA ABLOY Accessories and Door Controls Group, Inc. is prohibited.

## SADDLE THRESHOLDS *(Cont.)*

### 1710\_

AVAILABLE FINISH: **10BE, A, BSP, WSP**

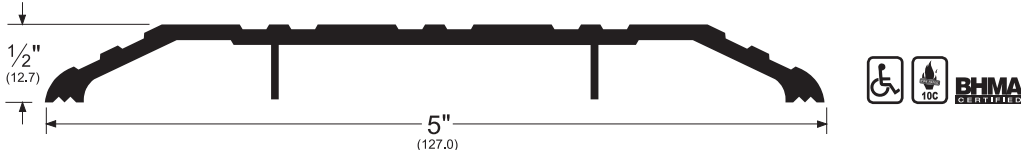


### 171\_

AVAILABLE FINISHES: **10BE, A, B, BDG, BSP, D, G, WSP**

ANSI (aluminum): **J32100, J32130**

ANSI (brass): **J12100, J12130**

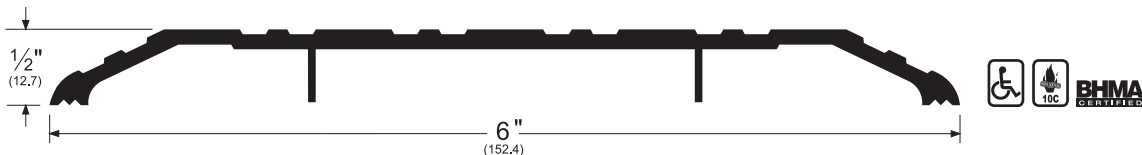


### 172\_

AVAILABLE FINISHES: **10BE, A, B, BSP, D, WSP**

ANSI (aluminum): **J32100, J32130**

ANSI (brass): **J12100, J12130**

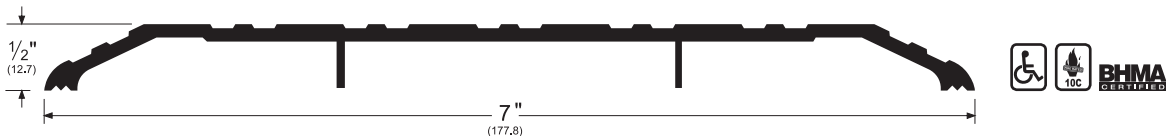


### 176\_

AVAILABLE FINISHES: **10BE, A, B, BSP, D, WSP**

ANSI (aluminum): **J32100, J32130, J39100, J39130, J39135, J39150**

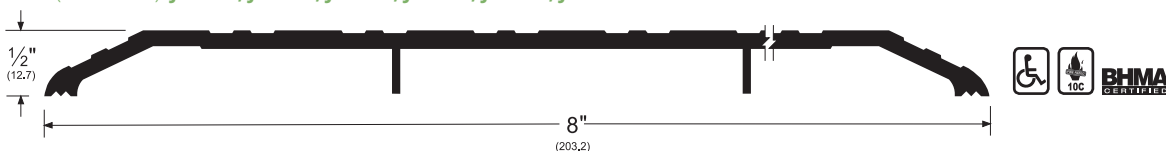
ANSI (brass): **J12100, J12130, J19100, J19130, J19135, J19150**



### 2548\_

AVAILABLE FINISHES: **10BE, A, BSP, D, WSP**

ANSI (aluminum): **J32100, J32130, J39100, J39130, J39135, J39150**



NOTE: Products shown in this section may not be drawn to scale.

AVAILABLE FINISHES FOR PRODUCTS SHOWN ON THIS PAGE

**10BE** (Satin Bronze Powder Coated Aluminum) **A** (Mill Finish Aluminum) **B** (Mill Finish Extruded Bronze [Brass])

**BSP** (Black Suede Powder Coated Aluminum) **D** (Dark Bronze Anodized) **G** (Gold Anodized)

**WSP** (White Suede Powder Coated Aluminum)

800-824-3018 | [www.pemko.com](http://www.pemko.com)

Check the web site for the up-to-date catalog

Copyright © 2015-2025, ASSA ABLOY Accessories and Door Controls Group, Inc., an ASSA ABLOY Group company. All rights reserved. Reproduction in whole or in part without the express written permission of ASSA ABLOY Accessories and Door Controls Group, Inc. is prohibited.

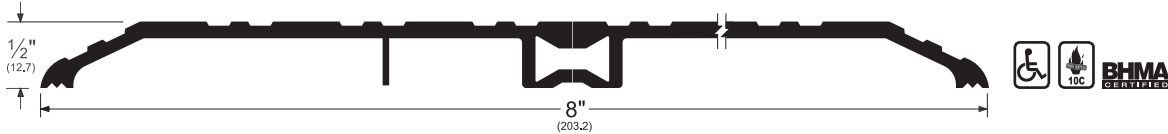
**PEMCO**  
**ASSA ABLOY**

Experience a safer  
and more open world

## SADDLE THRESHOLDS *(Cont.)*

### 254x4\_

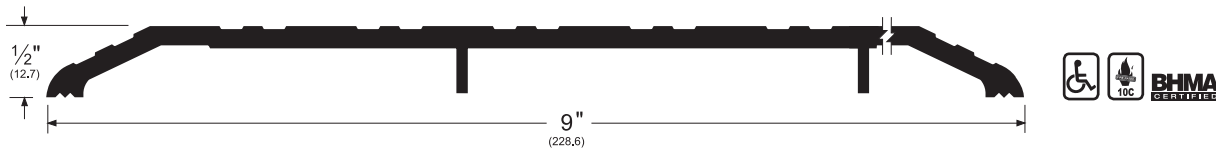
AVAILABLE FINISH: **B**  
ANSI (brass): **J12100, J12130, J19100, J19130, J19135, J19150**



Welded on bottom. Includes two support legs (only one shown due to break in drawing)

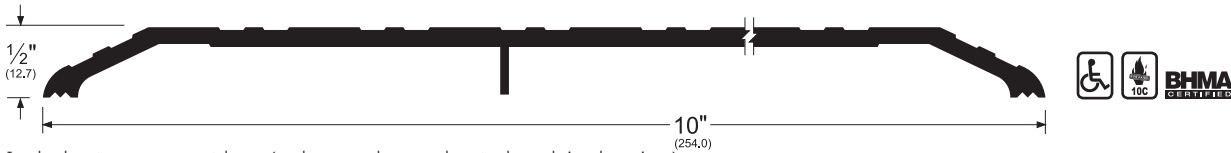
### 2549\_

AVAILABLE FINISHES: **10BE, A, BSP, D, WSP**  
ANSI (aluminum): **J32100, J32130**



### 2550\_

AVAILABLE FINISHES: **10BE, A, BSP, D, WSP**  
ANSI (aluminum): **J32100, J32130**



Includes two support legs (only one shown due to break in drawing)

### 255x5\_

AVAILABLE FINISH: **B**  
ANSI (brass): **J12100, J12130**



Welded on bottom. Includes two support legs (only one shown due to break in drawing)

### 256x6\_

AVAILABLE FINISHES: **10BE, A, BSP, D, WSP**  
ANSI (aluminum): **J32100, J32130**



Welded on bottom. Includes two support legs (only one shown due to break in drawing)

NOTE: Products shown in this section may not be drawn to scale.

AVAILABLE FINISHES FOR PRODUCTS SHOWN ON THIS PAGE

**10BE** (Satin Bronze Powder Coated Aluminum) **A** (Mill Finish Aluminum) **B** (Mill Finish Extruded Bronze [Brass])  
**BSP** (Black Suede Powder Coated Aluminum) **D** (Dark Bronze Anodized)  
**WSP** (White Suede Powder Coated Aluminum)

**PEMKO**  
**ASSA ABLOY**

Experience a safer  
and more open world

800-824-3018 | [www.pemko.com](http://www.pemko.com)  
Check the web site for the up-to-date catalog

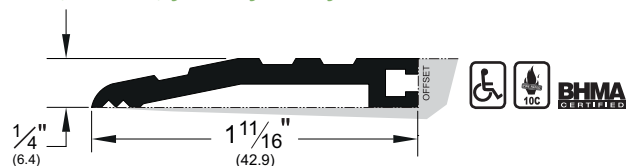
Copyright © 2015-2025, ASSA ABLOY Accessories and Door Controls Group, Inc., an ASSA ABLOY Group company. All rights reserved.  
Reproduction in whole or in part without the express written permission of ASSA ABLOY Accessories and Door Controls Group, Inc. is prohibited.



# HALF SADDLE THRESHOLDS

## 278\_

AVAILABLE FINISHES: **10BE, A, BSP, D, WSP**  
 ANSI (aluminum): **J33100, J33130, J33133**



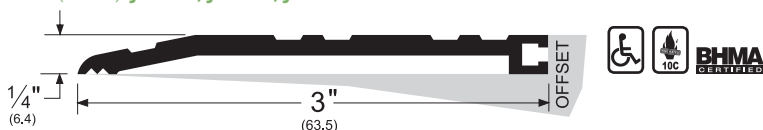
## 279\_

AVAILABLE FINISHES: **10BE, A, BSP, D, WSP**  
 ANSI (aluminum): **J33100, J33130, J33133**



## 273\_

AVAILABLE FINISHES: **10BE, A, B, BSP, D, WSP**  
 ANSI (aluminum): **J33100, J33130, J33133**  
 ANSI (brass): **J13100, J13130, J13133**



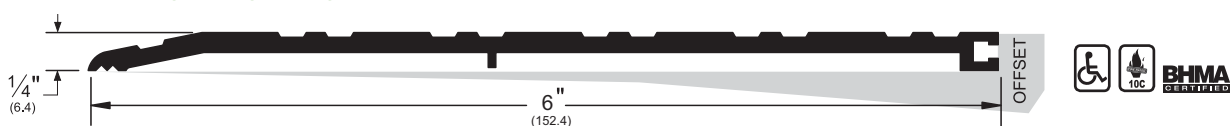
## 274\_

AVAILABLE FINISHES: **10BE, A, B, BSP, D, WSP**  
 ANSI (aluminum): **J33100, J33130, J33133**  
 ANSI (brass): **J13100, J13130, J13133**



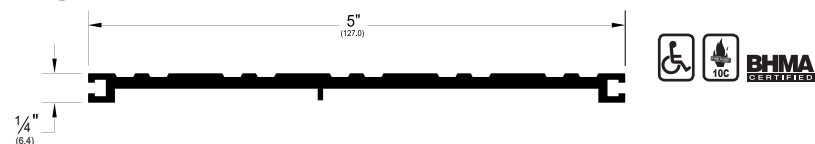
## 2746\_

AVAILABLE FINISHES: **10BE, A, BSP, D, WSP**  
 ANSI (aluminum): **J33100, J33130, J33133**



## 2755\_

AVAILABLE FINISHES: **10BE, A, BSP, D, WSP**  
 Ratings: **ADA, 10c, BHMA**



NOTE: Products shown in this section may not be drawn to scale.

AVAILABLE FINISHES FOR PRODUCTS SHOWN ON THIS PAGE

**10BE** (Satin Bronze Powder Coated Aluminum) **A** (Mill Finish Aluminum) **B** (Mill Finish Extruded Bronze [Brass])  
**BSP** (Black Suede Powder Coated Aluminum) **D** (Dark Bronze Anodized) **WSP** (White Suede Powder Coated Aluminum)

800-824-3018 | [www.pemko.com](http://www.pemko.com)

Check the web site for the up-to-date catalog

Copyright © 2015-2025, ASSA ABLOY Accessories and Door Controls Group, Inc., an ASSA ABLOY Group company. All rights reserved.  
 Reproduction in whole or in part without the express written permission of ASSA ABLOY Accessories and Door Controls Group, Inc. is prohibited.

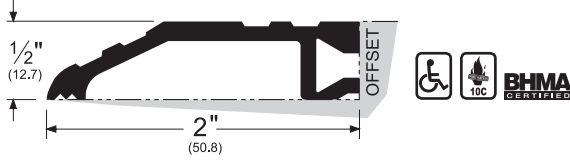
**PEMKO**  
**ASSA ABLOY**

Experience a safer  
 and more open world

## HALF SADDLE THRESHOLDS ((Cont.))

252\_

AVAILABLE FINISHES: **10BE, A, B, BSP, D, WSP**  
 ANSI (aluminum): **J33100, J33130**  
 ANSI (brass): **J13100, J13130**



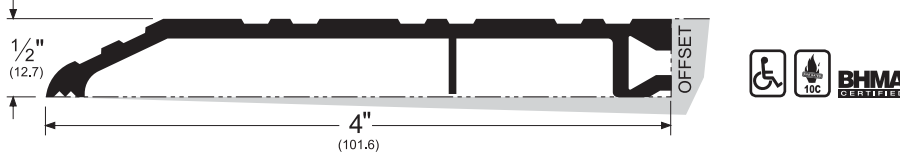
253\_

AVAILABLE FINISHES: **10BE, A, B, BSP, D, WSP**  
 ANSI (aluminum): **J33100, J33130**  
 ANSI (brass): **J13100, J13130**



254\_

AVAILABLE FINISHES: **10BE, A, B, BSP, D, G, WSP**  
 ANSI (aluminum): **J33100, J33130**  
 ANSI (brass): **J13100, J13130**



255\_

AVAILABLE FINISHES: **10BE, A, B, BSP, D, G, WSP**  
 ANSI (aluminum): **J33100, J33130**  
 ANSI (brass): **J13100, J13130**



2555\_

AVAILABLE FINISHES: **10BE, A, BSP, D, WSP**  
 ANSI (aluminum): **J33100**



\* 2555\_ can be combined with other half saddles on one or both sides. If combined only on one side, the opposite side should be mounted flush with an existing offset. Either stated application is required for this to be ADA-compliant.

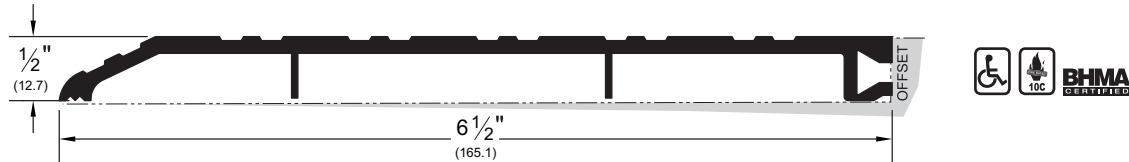
256\_

AVAILABLE FINISHES: **10BE, A, BSP, D, WSP**  
 ANSI (aluminum): **J33100, J33130**



2565\_

AVAILABLE FINISHES: **10BE, A, BSP, D, WSP**  
 ANSI (aluminum): **J33100, J33130**



NOTE: Products shown in this section may not be drawn to scale.

AVAILABLE FINISHES FOR PRODUCTS SHOWN ON THIS PAGE

**10BE** (Satin Bronze Powder Coated Aluminum) **A** (Mill Finish Aluminum) **B** (Mill Finish Extruded Bronze [Brass])  
**BSP** (Black Suede Powder Coated Aluminum) **D** (Dark Bronze Anodized) **G** (Gold Anodized)  
**WSP** (White Suede Powder Coated Aluminum)

NOTE: **G** is available with limited inventory

**PEMKO**  
**ASSA ABLOY**

Experience a safer  
 and more open world

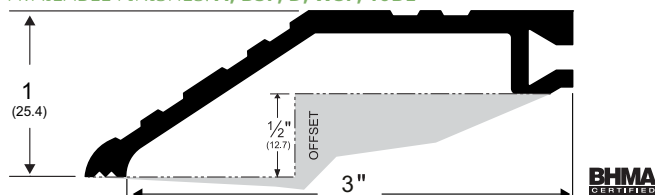
800-824-3018 | www.pemko.com  
 Check the web site for the up-to-date catalog

Copyright © 2015-2025, ASSA ABLOY Accessories and Door Controls Group, Inc., an ASSA ABLOY Group company. All rights reserved.  
 Reproduction in whole or in part without the express written permission of ASSA ABLOY Accessories and Door Controls Group, Inc. is prohibited.

## OFFSET HALF SADDLES

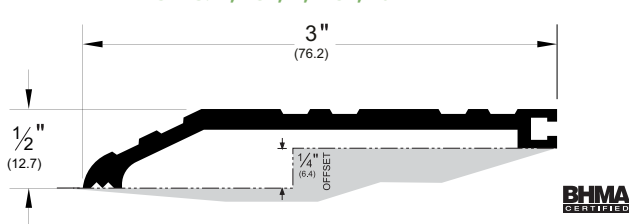
566\_

AVAILABLE FINISHES: **A, BSP, D, WSP, 10BE**



766\_

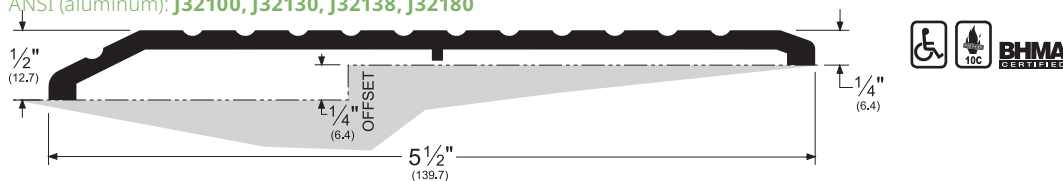
AVAILABLE FINISHES: **A, BSP, D, WSP, 10BE**



## OFFSET SADDLES

158\_

AVAILABLE FINISHES: **10BE, A, BSP, D, WSP**  
ANSI (aluminum): **J32100, J32130, J32138, J32180**



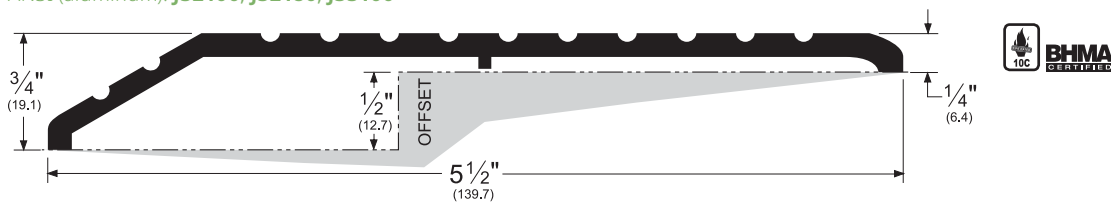
2727\_

AVAILABLE FINISHES: **10BE, A, BSP, D, WSP**  
ANSI (aluminum): **J32100, J32130, J32138, J32180**



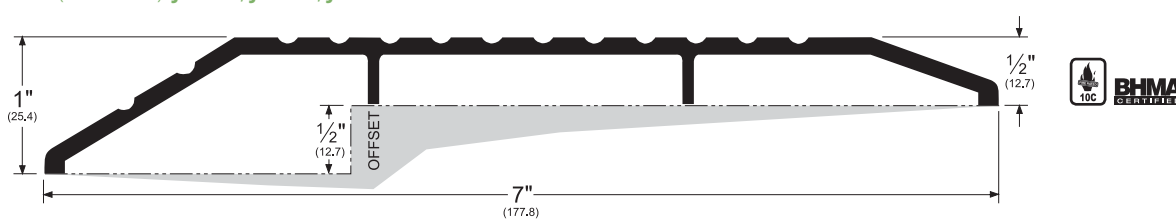
157\_

AVAILABLE FINISHES: **10BE, A, BSP, D, WSP**  
ANSI (aluminum): **J32100, J32180, J33100**



182\_

AVAILABLE FINISHES: **10BE, A, BSP, D, WSP**  
ANSI (aluminum): **J32100, J32180, J33100**



NOTE: Products shown in this section may not be drawn to scale.

AVAILABLE FINISHES FOR PRODUCTS SHOWN ON THIS PAGE

**10BE** (Satin Bronze Powder Coated Aluminum) **A** (Mill Finish Aluminum) **BSP** (Black Suede Powder Coated Aluminum)  
**D** (Dark Bronze Anodized) **WSP** (White Suede Powder Coated Aluminum)

800-824-3018 | [www.pemko.com](http://www.pemko.com)

Check the web site for the up-to-date catalog

Copyright © 2015-2025, ASSA ABLOY Accessories and Door Controls Group, Inc., an ASSA ABLOY Group company. All rights reserved.  
Reproduction in whole or in part without the express written permission of ASSA ABLOY Accessories and Door Controls Group, Inc. is prohibited.

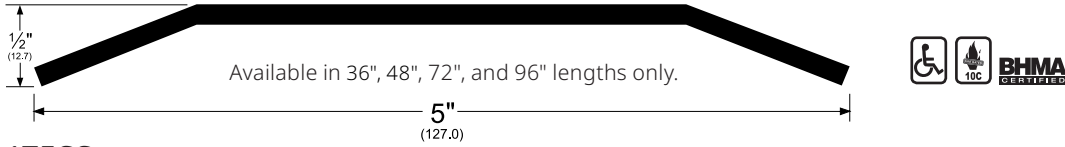
**PEMKO**  
**ASSA ABLOY**

Experience a safer  
and more open world

## STAINLESS STEEL SADDLES

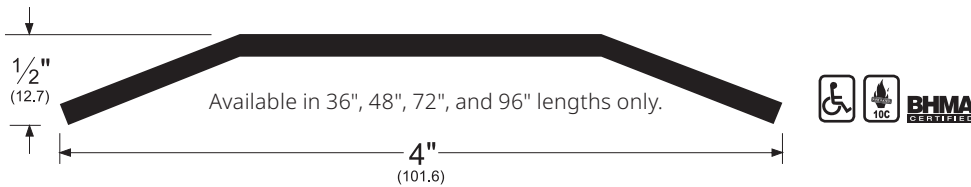
### 154SS\_

AVAILABLE FINISH: **SS (#4, Brushed Finish)**  
ANSI: **J52300, J52330**



### 175SS\_

AVAILABLE FINISH: **SS (#4, Brushed Finish)**  
ANSI: **J52300, J52330**

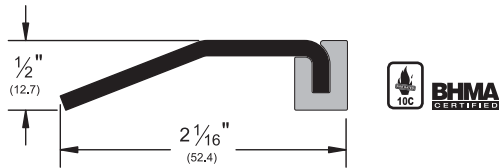


## STAINLESS STEEL HALF SADDLES

- Available in 36", 48", 72", and 96" lengths only.

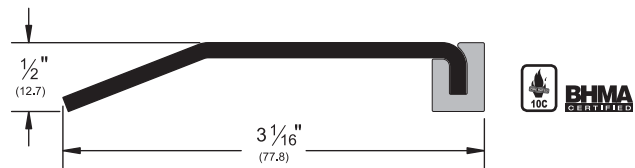
### 252SS\_

AVAILABLE FINISH: **SS (#4, Brushed Finish)**  
ANSI: **J52300, J52330**



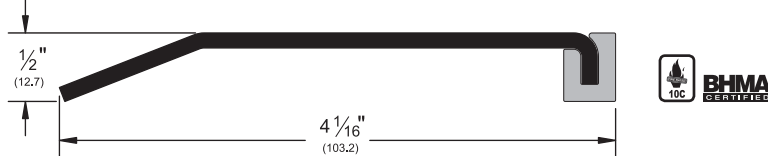
### 253SS\_

AVAILABLE FINISH: **SS (#4, Brushed Finish)**  
ANSI: **J52300, J52330**



### 254SS\_

AVAILABLE FINISH: **SS (#4, Brushed Finish)**  
ANSI: **J52300, J52330**

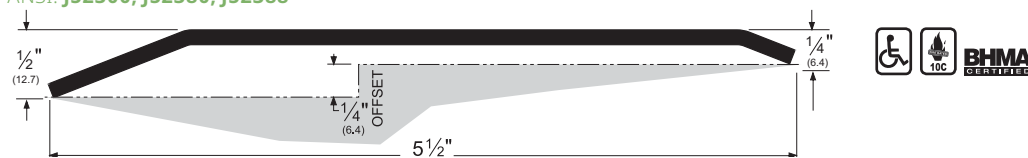


## STAINLESS STEEL OFFSET SADDLES

- Available in 36", 48", 72", and 96" lengths only.

### 158SS\_

AVAILABLE FINISH: **SS (#4, Brushed Finish)**  
ANSI: **J52300, J52380, J52388**



NOTE: Products shown in this section may not be drawn to scale.  
AVAILABLE FINISHES FOR PRODUCTS SHOWN ON THIS PAGE  
**SS (#4, Brushed Finish)**

**PEMKO**  
**ASSA ABLOY**

Experience a safer  
and more open world

800-824-3018 | [www.pemko.com](http://www.pemko.com)  
Check the web site for the up-to-date catalog

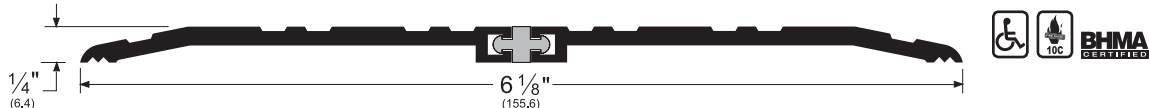
Copyright © 2015-2025, ASSA ABLOY Accessories and Door Controls Group, Inc., an ASSA ABLOY Group company. All rights reserved.  
Reproduction in whole or in part without the express written permission of ASSA ABLOY Accessories and Door Controls Group, Inc. is prohibited.

## THERMAL BREAK SADDLES

- Black rigid polypropylene key between extrusions provides a thermal break (designated by "FG" Frost Guard following finish code)

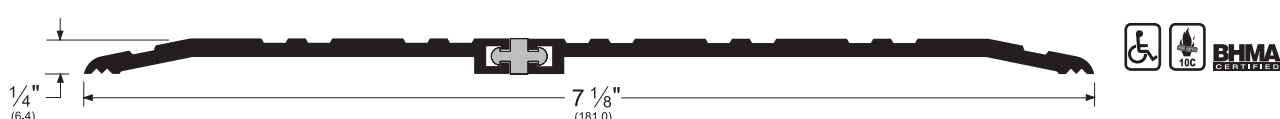
### 273x3\_FG

AVAILABLE FINISHES: **10BE, A, B, BSP, D, WSP**  
 ANSI (aluminum): **J32139, J32190, J32193**  
 ANSI (brass): **J12139, J12190, J12193**



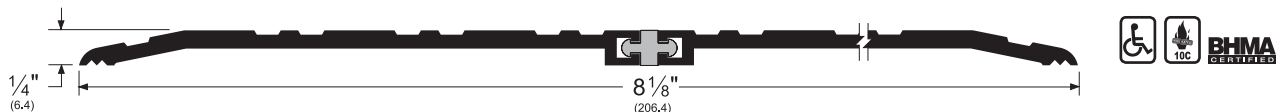
### 273x4\_FG

AVAILABLE FINISHES: **10BE, A, B, BSP, D, WSP**  
 ANSI (aluminum): **J32139, J32190, J32193**  
 ANSI (brass): **J12139, J12190, J12193**



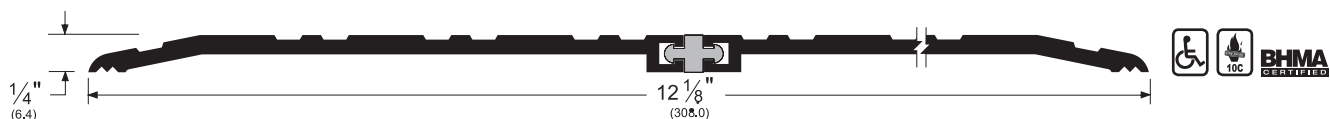
### 274x4\_FG

AVAILABLE FINISHES: **10BE, A, B, BSP, D, WSP**  
 ANSI (aluminum): **J32139, J32190, J32193**  
 ANSI (brass): **J12139, J12190, J12193**



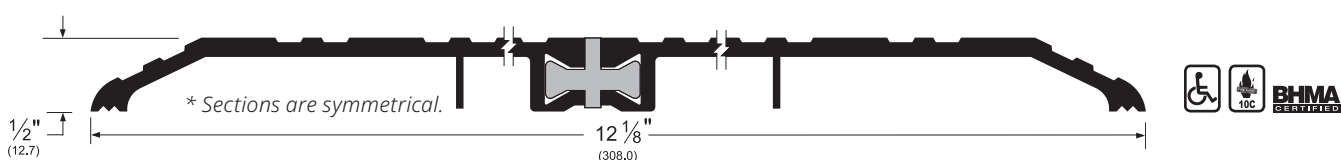
### 2746x6\_FG

AVAILABLE FINISHES: **10BE, A, BSP, D, WSP**  
 ANSI (aluminum): **J32139, J32190, J32193**



### 256x6\_FG

AVAILABLE FINISHES: **10BE, A, BSP, D, WSP**  
 ANSI (aluminum): **J32139, J32190, J32193**



NOTE: Products shown in this section may not be drawn to scale.

AVAILABLE FINISHES FOR PRODUCTS SHOWN ON THIS PAGE

**10BE** (Satin Bronze Powder Coated Aluminum) **A** (Mill Finish Aluminum) **B** (Mill Finish Extruded Bronze [Brass])  
**BSP** (Black Suede Powder Coated Aluminum) **D** (Dark Bronze Anodized) **WSP** (White Suede Powder Coated Aluminum)

800-824-3018 | [www.pemko.com](http://www.pemko.com)

Check the web site for the up-to-date catalog

Copyright © 2015-2025, ASSA ABLOY Accessories and Door Controls Group, Inc., an ASSA ABLOY Group company. All rights reserved.  
 Reproduction in whole or in part without the express written permission of ASSA ABLOY Accessories and Door Controls Group, Inc. is prohibited.

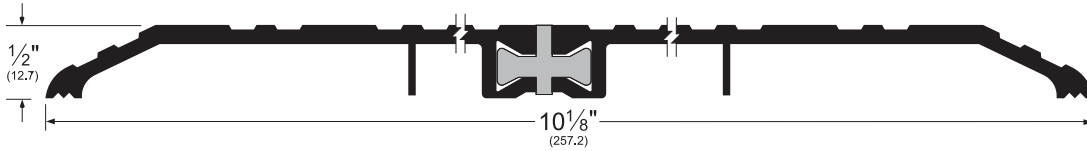
**PEMKO**  
**ASSA ABLOY**

Experience a safer  
 and more open world

# THERMAL BREAK SADDLES (Cont.)

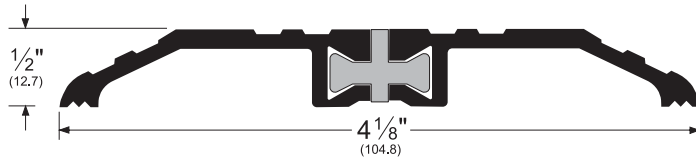
## 255x5\_FG

AVAILABLE FINISHES: **10BE, A, B, BSP, D, WSP**  
 ANSI (aluminum): **J32139, J32190, J32193**  
 ANSI (brass): **J12139, J12190, J12193**



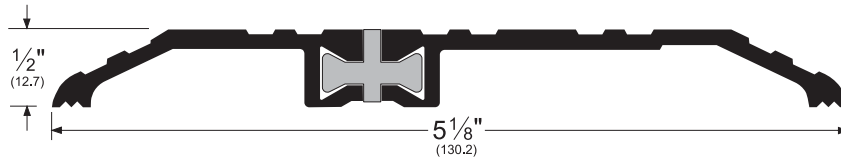
## 252x2\_FG

AVAILABLE FINISHES: **10BE, A, B, BSP, D, WSP**  
 ANSI (aluminum): **J32139, J32190, J32193**  
 ANSI (brass): **J12139, J12190, J12193**



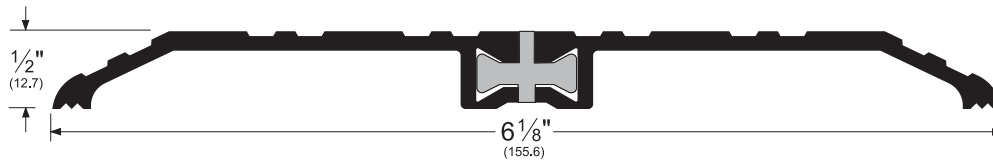
## 252x3\_FG

AVAILABLE FINISHES: **10BE, A, B, BSP, D, WSP**  
 ANSI (aluminum): **J32139, J32190, J32193**  
 ANSI (brass): **J12139, J12190, J12193**



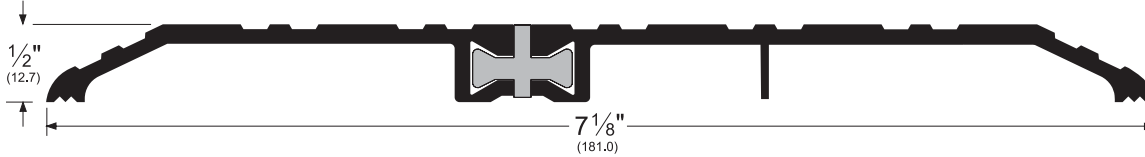
## 253x3\_FG

AVAILABLE FINISHES: **10BE, A, B, BSP, D, WSP**  
 ANSI (aluminum): **J32139, J32190, J32193**  
 ANSI (brass): **J12139, J12190, J12193**



## 253x4\_FG

AVAILABLE FINISHES: **10BE, A, B, BSP, D, WSP**  
 ANSI (aluminum): **J32139, J32190, J32193**  
 ANSI (brass): **J12139, J12190, J12193**



NOTE: Products shown in this section may not be drawn to scale.

AVAILABLE FINISHES FOR PRODUCTS SHOWN ON THIS PAGE

**10BE** (Satin Bronze Powder Coated Aluminum) **A** (Mill Finish Aluminum) **B** (Mill Finish Extruded Bronze [Brass])  
**BSP** (Black Suede Powder Coated Aluminum) **D** (Dark Bronze Anodized) **WSP** (White Suede Powder Coated Aluminum)



Experience a safer  
and more open world

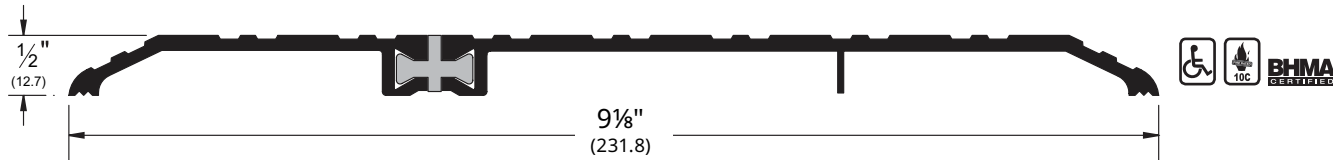
800-824-3018 | [www.pemko.com](http://www.pemko.com)  
 Check the web site for the up-to-date catalog

Copyright © 2015-2025, ASSA ABLOY Accessories and Door Controls Group, Inc., an ASSA ABLOY Group company. All rights reserved.  
 Reproduction in whole or in part without the express written permission of ASSA ABLOY Accessories and Door Controls Group, Inc. is prohibited.

## THERMAL BREAK SADDLES (Cont.)

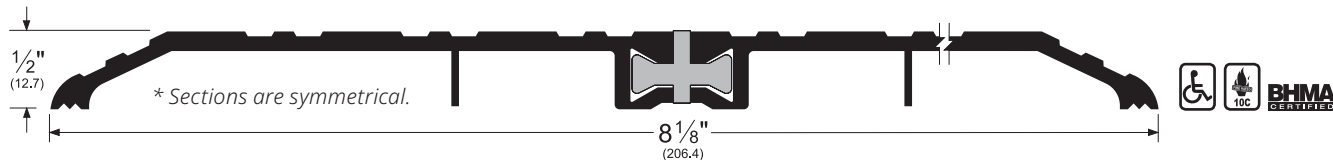
### 253x6\_FG

AVAILABLE FINISHES: **10BE, A, BSP, D, WSP**  
ANSI (aluminum): **J32139, J32190, J32193**



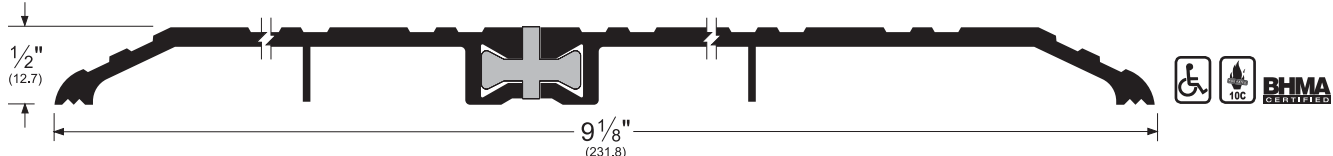
### 254x4\_FG

AVAILABLE FINISHES: **10BE, A, B, BSP, D, WSP**  
ANSI (aluminum): **J32139, J32190, J32193**  
ANSI (brass): **J12139, J12190, J12193**



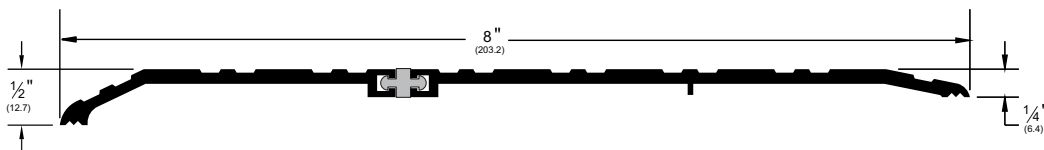
### 254x5\_FG

AVAILABLE FINISHES: **10BE, A, B, BSP, D, WSP**  
ANSI (aluminum): **J32139, J32190, J32193**  
ANSI (brass): **J12139, J12190, J12193**



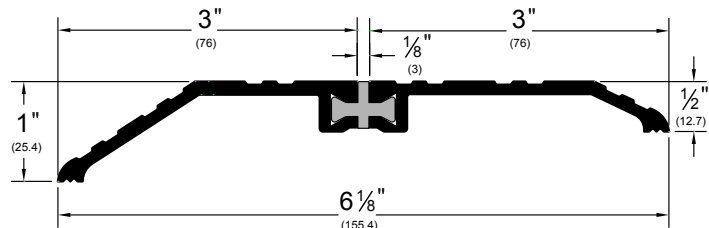
### 766x5\_FG

AVAILABLE FINISHES: **10BE, A, BSP, D, WSP**  
ANSI (aluminum): **J32139, J32190, J32193, J32189, J32180**  
ANSI (brass): **J12139, J12190, J12193, J12189, J12180**



### 566x3\_FG

AVAILABLE FINISHES: **10BE, A, BSP, D, WSP**  
ANSI (aluminum): **J32189, J32190, J32180**



NOTE: Products shown in this section may not be drawn to scale.

AVAILABLE FINISHES FOR PRODUCTS SHOWN ON THIS PAGE

**10BE** (Satin Bronze Powder Coated Aluminum) **A** (Mill Finish Aluminum) **B** (Mill Finish Extruded Bronze [Brass])  
**BSP** (Black Suede Powder Coated Aluminum) **D** (Dark Bronze Anodized) **WSP** (White Suede Powder Coated Aluminum)

800-824-3018 | [www.pemko.com](http://www.pemko.com)

Check the web site for the up-to-date catalog

Copyright © 2015-2025, ASSA ABLOY Accessories and Door Controls Group, Inc., an ASSA ABLOY Group company. All rights reserved.  
Reproduction in whole or in part without the express written permission of ASSA ABLOY Accessories and Door Controls Group, Inc. is prohibited.

**PEMKO**  
**ASSA ABLOY**

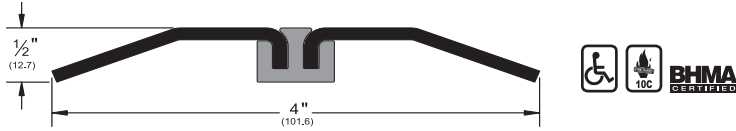
Experience a safer  
and more open world

# STAINLESS STEEL THERMAL BREAK THRESHOLD

- Black rigid polypropylene key between extrusions provides a thermal barrier (designated by "FG" Frost Guard following finish code)
- Available in 36", 48", 72", and 96" lengths only

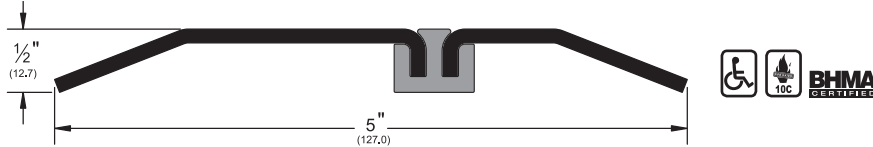
## 252x2SSFG

AVAILABLE FINISH: **SS (#4, Brushed Finish)**  
ANSI: **J52330, J52339, J52390, J52393**



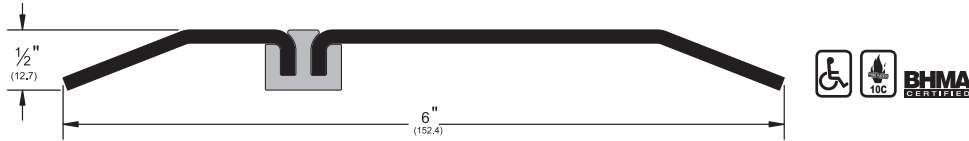
## 252x3SSFG

AVAILABLE FINISH: **SS (#4, Brushed Finish)**  
ANSI: **J52330, J52339, J52390, J52393**



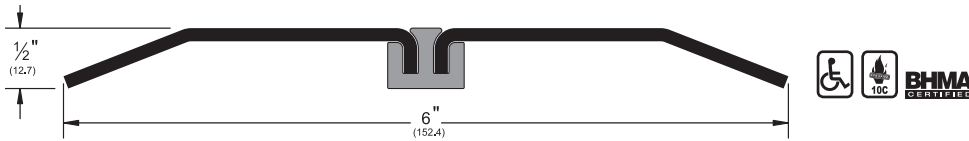
## 252x4SSFG

AVAILABLE FINISH: **SS (#4, Brushed Finish)**  
ANSI: **J52330, J52339, J52390, J52393**



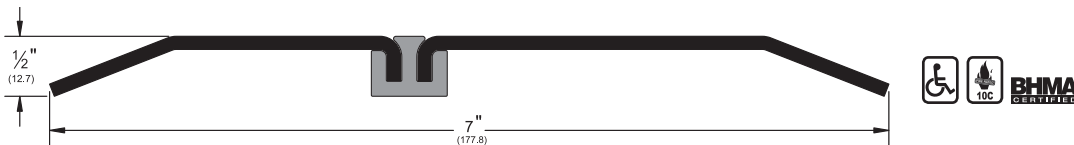
## 253x3SSFG

AVAILABLE FINISH: **SS (#4, Brushed Finish)**  
ANSI: **J52330, J52339, J52390, J52393**



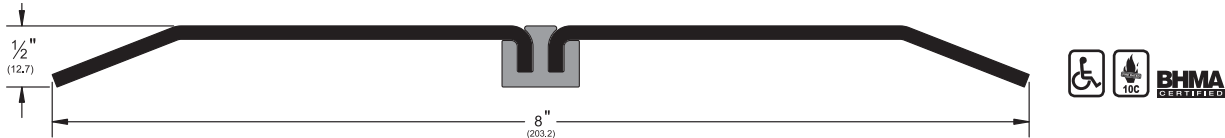
## 253x4SSFG

AVAILABLE FINISH: **SS (#4, Brushed Finish)**  
ANSI: **J52330, J52339, J52390, J52393**



## 254x4SSFG

AVAILABLE FINISH: **SS (#4, Brushed Finish)**  
ANSI: **J52330, J52339, J52390, J52393**



Experience a safer  
and more open world

NOTE: Products shown in this section may not be drawn to scale.  
AVAILABLE FINISHES FOR PRODUCTS SHOWN ON THIS PAGE  
SS (See Individual Part)

800-824-3018 | [www.pemko.com](http://www.pemko.com)  
Check the web site for the up-to-date catalog

Copyright © 2015-2025, ASSA ABLOY Accessories and Door Controls Group, Inc., an ASSA ABLOY Group company. All rights reserved.  
Reproduction in whole or in part without the express written permission of ASSA ABLOY Accessories and Door Controls Group, Inc. is prohibited.



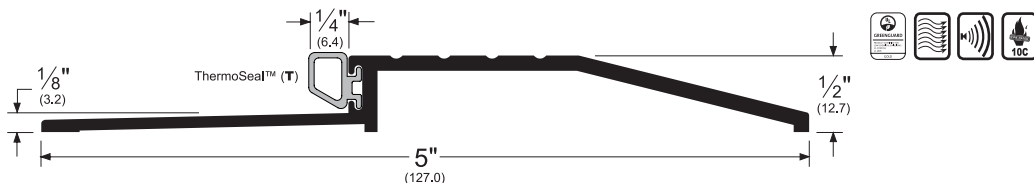
# LATCHING PANIC EXIT SADDLES

- Used in conjunction with surface applied vertical rod exit device, or as a stop and a seal at the bottom of door
- For offset applications, use an elevator (see page 131)
- **2006\_T** is only ADA compliant when installed butted to 1/4" tile or other floor material

## 2001\_T

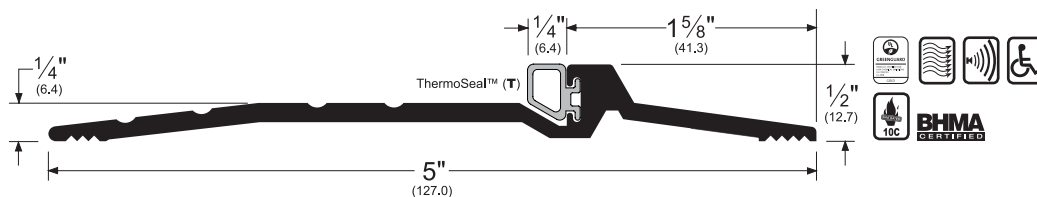
AVAILABLE FINISHES: **10BE, A, BSP, D, WSP**  
 REPLACEMENT INSERT: **T5 (BL)**

- Allow 1/4" door clearance
- Special purpose bumper threshold designed for use with a low 1/4" to 3/8" undercut door.



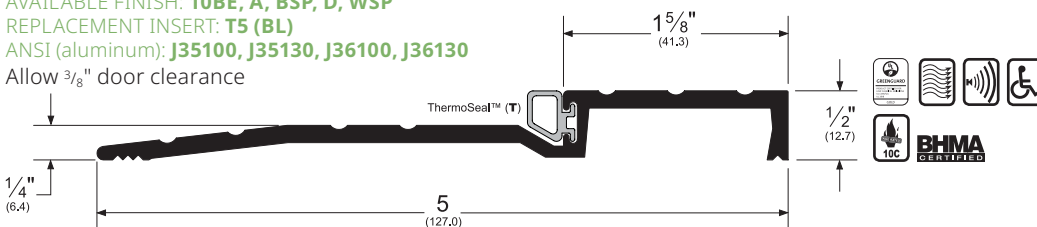
## 2005\_T

AVAILABLE FINISH: **10BE, A, B, BSP, D, WSP**  
 REPLACEMENT INSERT: **T5 (BL)**  
 ANSI (aluminum): **J35100, J35130, J36100, J36130**  
 ANSI (brass): **J15100, J15130, J16100, J16130**  
 Allow 3/8" door clearance



## 2006\_T

AVAILABLE FINISH: **10BE, A, BSP, D, WSP**  
 REPLACEMENT INSERT: **T5 (BL)**  
 ANSI (aluminum): **J35100, J35130, J36100, J36130**  
 Allow 3/8" door clearance



### Alternate Inserts



pile (P)

2001\_P  

2005\_P    
 2006\_P  

REPLACEMENT INSERT:  
**P2 (BL, W)**



Eco-V™ (V)

2001\_V  

2005\_V    
 2006\_V  

REPLACEMENT INSERT:  
**EV41 (BL, GR, W)**

NOTE: Products shown in this section may not be drawn to scale.

AVAILABLE FINISHES FOR PRODUCTS SHOWN ON THIS PAGE

**10BE** (Satin Bronze Powder Coated Aluminum) **A** (Mill Finish Aluminum) **B** (Mill Finish Extruded Bronze [Brass])  
**BSP** (Black Suede Powder Coated Aluminum) **D** (Dark Bronze Anodized)  
**WSP** (White Suede Powder Coated Aluminum)

800-824-3018 | www.pemko.com

Check the web site for the up-to-date catalog

Copyright © 2015-2025, ASSA ABLOY Accessories and Door Controls Group, Inc., an ASSA ABLOY Group company. All rights reserved.  
 Reproduction in whole or in part without the express written permission of ASSA ABLOY Accessories and Door Controls Group, Inc. is prohibited.

**PEMCO**  
**ASSA ABLOY**

Experience a safer  
 and more open world

# LATCHING PANIC EXIT SADDLES (Cont.)

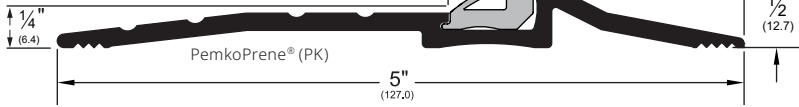
## 2009\_PK

AVAILABLE FINISHES: **10BE, A, BSP, D, WSP**

REPLACEMENT INSERT: **PK20 (BL)**

ANSI: **J36100, J36130**

Allow  $\frac{3}{8}$ " door clearance



U.S. Patent No. 9,920,567

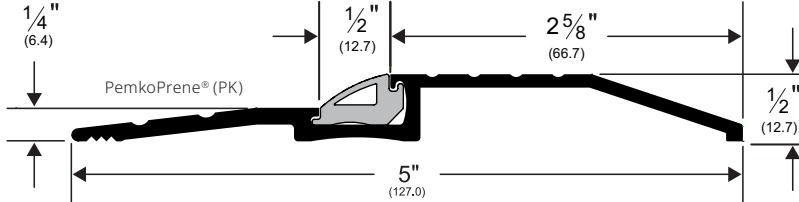
## 2010\_PK

AVAILABLE FINISHES: **10BE, A, BSP, D, WSP**

REPLACEMENT INSERT: **PK20 (BL)**

ANSI: **J36100, J36130**

Allow  $\frac{3}{8}$ " door clearance



### Alternate Inserts



pile (P)

179\_P

REPLACEMENT INSERT:  
**P2 (BL, W)**



Eco-V™ (V)

179\_V

REPLACEMENT INSERT:  
**EV41 (BL, GR, W)**

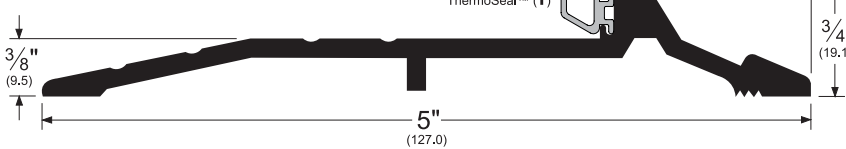
## 179\_T

AVAILABLE FINISHES: **10BE, A, BSP, D, WSP**

REPLACEMENT INSERT: **T5 (BL)**

ANSI (aluminum): **J35100, J36100**

Allow  $\frac{1}{2}$ " door clearance



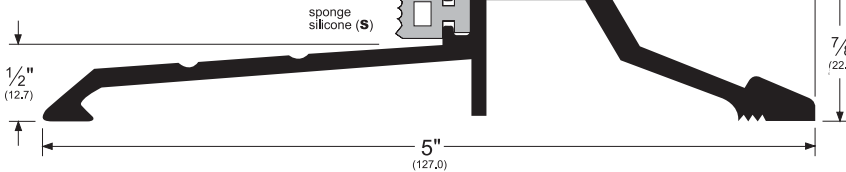
## 277\_S

AVAILABLE FINISHES: **10BE, A, BSP, D, WSP**

REPLACEMENT INSERT: **SR6 (BL)**

ANSI (aluminum): **J35100, J36100**

Allow  $\frac{5}{8}$ " door clearance



### Alternate Inserts



sponge EPDM (R)

277\_R

REPLACEMENT INSERT:  
**E7 (BL)**  
ANSI (aluminum):  
**J36100**

NOTE: Products shown in this section may not be drawn to scale.

AVAILABLE FINISHES FOR PRODUCTS SHOWN ON THIS PAGE

**10BE** (Satin Bronze Powder Coated Aluminum) **A** (Mill Finish Aluminum) **BSP** (Black Suede Powder Coated Aluminum) **D** (Dark Bronze Anodized) **WSP** (White Suede Powder Coated Aluminum)



Experience a safer  
and more open world

800-824-3018 | [www.pemko.com](http://www.pemko.com)  
Check the web site for the up-to-date catalog

Copyright © 2015-2025, ASSA ABLOY Accessories and Door Controls Group, Inc., an ASSA ABLOY Group company. All rights reserved. Reproduction in whole or in part without the express written permission of ASSA ABLOY Accessories and Door Controls Group, Inc. is prohibited.

# LATCHING PANIC EXIT SADDLES (Cont.)

## 159\_T

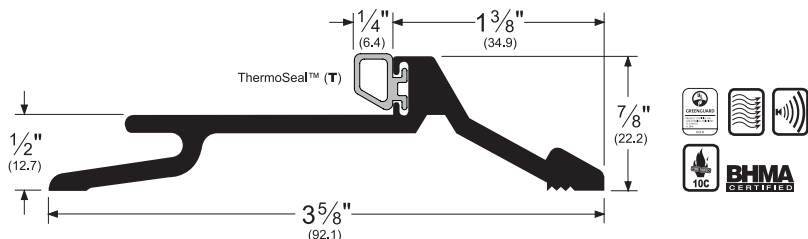
AVAILABLE FINISHES: **10BE, A, B, BSP, D, WSP**

REPLACEMENT INSERT: **T5 (BL)**

ANSI (aluminum): **J35300, J36300**

ANSI (brass): **J15300, J16300**

- Allow  $\frac{9}{16}$ " door clearance
- Provided with "J" hook.
- Can also be used as an interlock threshold (see Residential Thresholds section)



## 177\_T

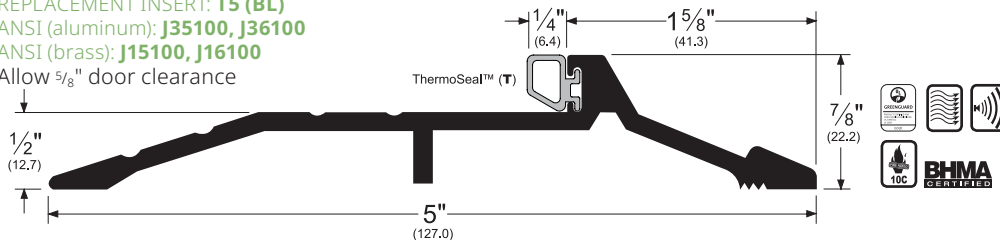
AVAILABLE FINISHES: **10BE, A, B, BSP, D, WSP**

REPLACEMENT INSERT: **T5 (BL)**

ANSI (aluminum): **J35100, J36100**

ANSI (brass): **J15100, J16100**

Allow  $\frac{5}{8}$ " door clearance



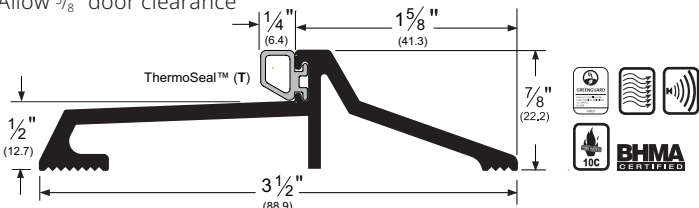
## 1855\_T

AVAILABLE FINISHES: **10BE, A, BSP, WSP**

REPLACEMENT INSERT: **T5 (BL)**

ANSI (aluminum): **J35100, J36100**

Allow  $\frac{5}{8}$ " door clearance



## 181\_T

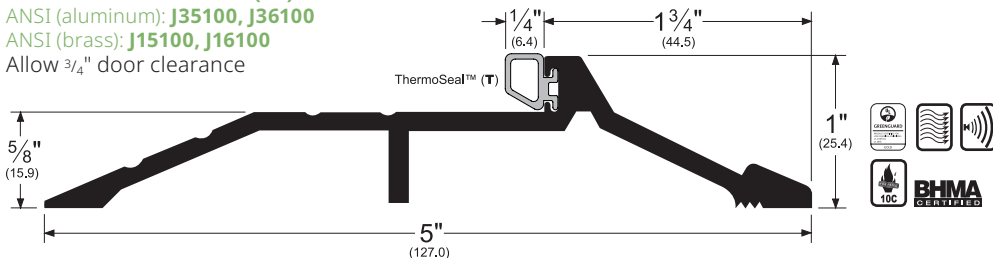
AVAILABLE FINISHES: **10BE, A, B, BSP, D, WSP**

REPLACEMENT INSERT: **T5 (BL)**

ANSI (aluminum): **J35100, J36100**

ANSI (brass): **J15100, J16100**

Allow  $\frac{3}{4}$ " door clearance



NOTE: Products shown in this section may not be drawn to scale.

AVAILABLE FINISHES FOR PRODUCTS SHOWN ON THIS PAGE

**10BE** (Satin Bronze Powder Coated Aluminum) **A** (Mill Finish Aluminum) **B** (Mill Finish Extruded Bronze [Brass])

**BSP** (Black Suede Powder Coated Aluminum) **D** (Dark Bronze Anodized) **WSP** (White Suede Powder Coated Aluminum)

### Alternate Inserts



pile (P)

159\_P

177\_P

1855\_P

181\_P

REPLACEMENT INSERT:

**P2 (BL, W)**



Eco-V™ (V)

159\_V

177\_V

1855\_V

181\_V

REPLACEMENT INSERT:

**EV41 (BL, GR, W)**

800-824-3018 | www.pemko.com

Check the web site for the up-to-date catalog

Copyright © 2015-2025, ASSA ABLOY Accessories and Door Controls Group, Inc., an ASSA ABLOY Group company. All rights reserved. Reproduction in whole or in part without the express written permission of ASSA ABLOY Accessories and Door Controls Group, Inc. is prohibited.

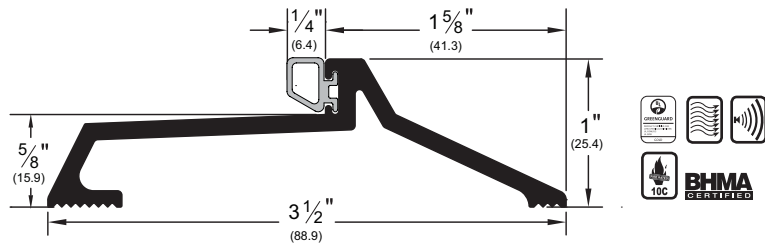
**PEMCO**  
**ASSA ABLOY**

Experience a safer  
and more open world

# LATCHING PANIC EXIT SADDLES (Cont.)

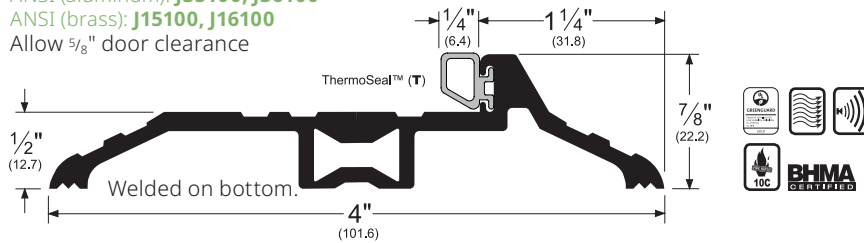
## 185\_T

AVAILABLE FINISHES: **10BE, A, BSP, WSP**  
 REPLACEMENT INSERT: **T5 (BL)**  
 ANSI (aluminum): **J35300, J36300**  
 Allow 3/4" door clearance



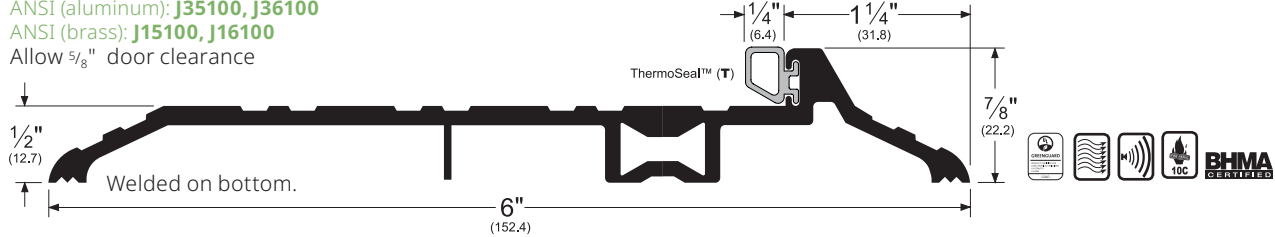
## 252x226\_T

AVAILABLE FINISHES: **10BE, A, B, BSP, D, WSP**  
 REPLACEMENT INSERT: **T5 (BL)**  
 ANSI (aluminum): **J35100, J36100**  
 ANSI (brass): **J15100, J16100**  
 Allow 5/8" door clearance



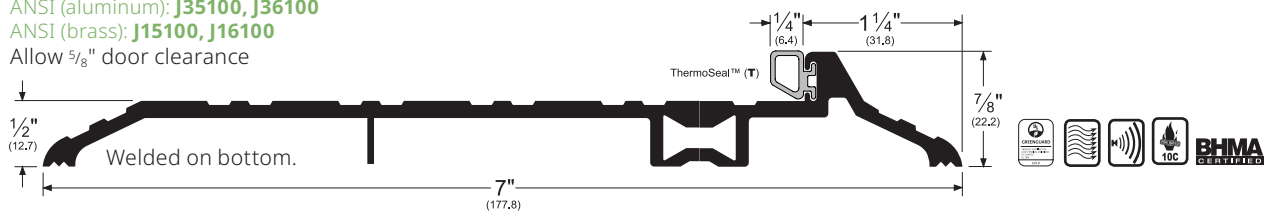
## 254x226\_T

AVAILABLE FINISHES: **10BE, A, B, BSP, D, WSP**  
 REPLACEMENT INSERT: **T5 (BL)**  
 ANSI (aluminum): **J35100, J36100**  
 ANSI (brass): **J15100, J16100**  
 Allow 5/8" door clearance



## 255x226\_T

AVAILABLE FINISHES: **10BE, A, B, BSP, D, WSP**  
 REPLACEMENT INSERT: **T5 (BL)**  
 ANSI (aluminum): **J35100, J36100**  
 ANSI (brass): **J15100, J16100**  
 Allow 5/8" door clearance



### Alternate Inserts



- 185\_P
  - 252x226\_P
  - 254x226\_P
  - 255x226\_P
- REPLACEMENT INSERT:  
**P2 (BL, W)**



- 185\_V
  - 252x226\_V
  - 254x226\_V
  - 255x226\_V
- REPLACEMENT INSERT:  
**EV41 (BL, GR, W)**

NOTE: Products shown in this section may not be drawn to scale.

**AVAILABLE FINISHES FOR PRODUCTS SHOWN ON THIS PAGE**

**10BE** (Satin Bronze Powder Coated Aluminum) **A** (Mill Finish Aluminum) **B** (Mill Finish Extruded Bronze [Brass])  
**BSP** (Black Suede Powder Coated Aluminum) **D** (Dark Bronze Anodized) **WSP** (White Suede Powder Coated Aluminum)



Experience a safer  
 and more open world

800-824-3018 | www.pemko.com  
 Check the web site for the up-to-date catalog

Copyright © 2015-2025, ASSA ABLOY Accessories and Door Controls Group, Inc., an ASSA ABLOY Group company. All rights reserved.  
 Reproduction in whole or in part without the express written permission of ASSA ABLOY Accessories and Door Controls Group, Inc. is prohibited.

# LATCHING PANIC EXIT SADDLES - THERMAL BREAK

- Black rigid polypropylene key between extrusions provides thermal break (designated by "FG" Frost Guard following finish code)
- Used in conjunction with surface applied vertical rod exit device, or as a stop and a seal at the bottom of door
- These units are not welded

## 252x226\_FGT

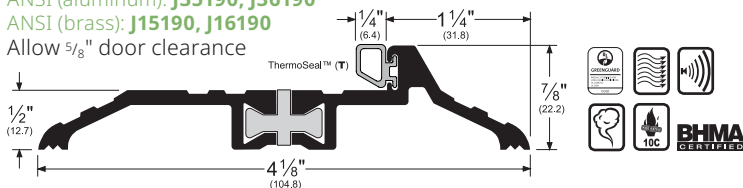
AVAILABLE FINISHES: **10BE, A, B, BSP, D, WSP**

REPLACEMENT INSERT: **T5 (BL)**

ANSI (aluminum): **J35190, J36190**

ANSI (brass): **J15190, J16190**

Allow  $\frac{5}{8}$ " door clearance



## 253x226\_FGT

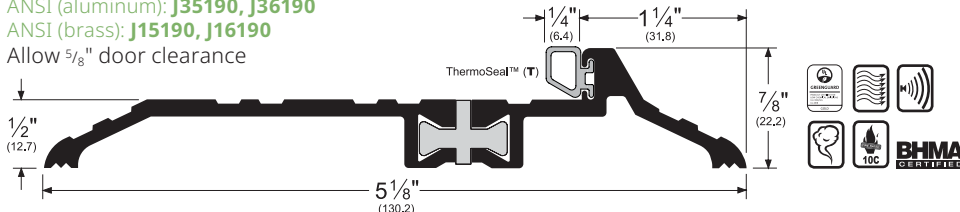
AVAILABLE FINISHES: **10BE, A, B, BSP, D, WSP**

REPLACEMENT INSERT: **T5 (BL)**

ANSI (aluminum): **J35190, J36190**

ANSI (brass): **J15190, J16190**

Allow  $\frac{5}{8}$ " door clearance



## 254x226\_FGT

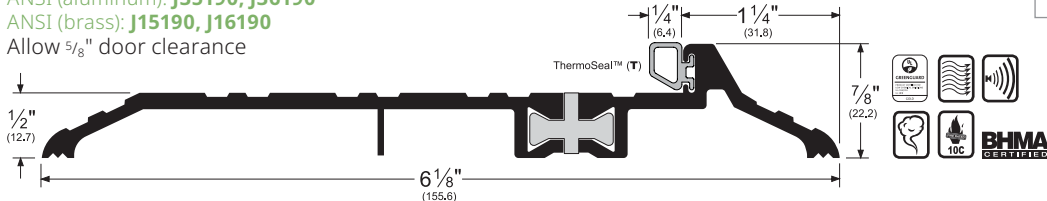
AVAILABLE FINISHES: **10BE, A, B, BSP, D, WSP**

REPLACEMENT INSERT: **T5 (BL)**

ANSI (aluminum): **J35190, J36190**

ANSI (brass): **J15190, J16190**

Allow  $\frac{5}{8}$ " door clearance



## 255x226\_FGT

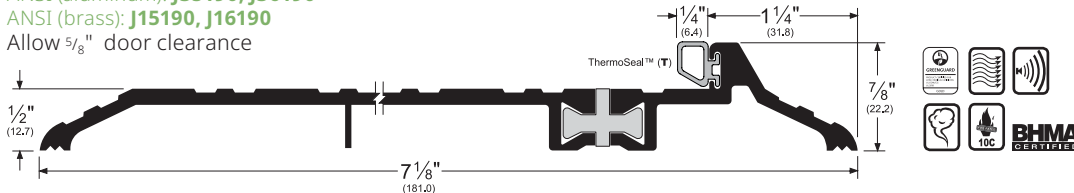
AVAILABLE FINISHES: **10BE, A, B, BSP, D, WSP**

REPLACEMENT INSERT: **T5 (BL)**

ANSI (aluminum): **J35190, J36190**

ANSI (brass): **J15190, J16190**

Allow  $\frac{5}{8}$ " door clearance



### Alternate Inserts



pile (P)

- 252x226\_FGP
- 253x226\_FGP
- 254x226\_FGP
- 255x226\_FGP
- 273x224\_FGP

REPLACEMENT INSERT:  
**P2 (BL, W)**



Eco-V™ (V)

- 252x226\_FGV
- 253x226\_FGV
- 254x226\_FGV
- 255x226\_FGV
- 273x224\_FGV

REPLACEMENT INSERT:  
**EV41 (BL, GR, W)**

NOTE: Products shown in this section may not be drawn to scale.

AVAILABLE FINISHES FOR PRODUCTS SHOWN ON THIS PAGE

**10BE** (Satin Bronze Powder Coated Aluminum) **A** (Mill Finish Aluminum) **B** (Mill Finish Extruded Bronze [Brass])

**BSP** (Black Suede Powder Coated Aluminum) **D** (Dark Bronze Anodized) **WSP** (White Suede Powder Coated Aluminum)

800-824-3018 | www.pemko.com

Check the web site for the up-to-date catalog

Copyright © 2015-2025, ASSA ABLOY Accessories and Door Controls Group, Inc., an ASSA ABLOY Group company. All rights reserved. Reproduction in whole or in part without the express written permission of ASSA ABLOY Accessories and Door Controls Group, Inc. is prohibited.

**PEMCO**  
**ASSA ABLOY**

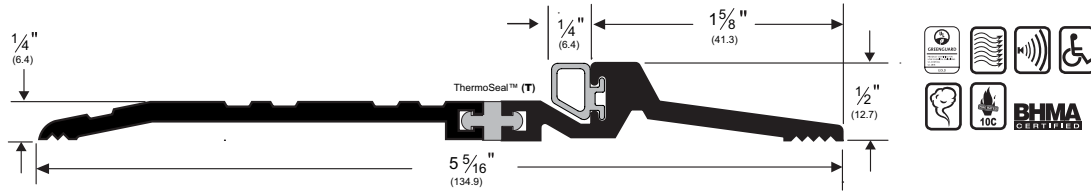
Experience a safer  
and more open world

# LATCHING PANIC EXIT SADDLES - THERMAL BREAK (Cont.)

- Allow 3/8" door clearance

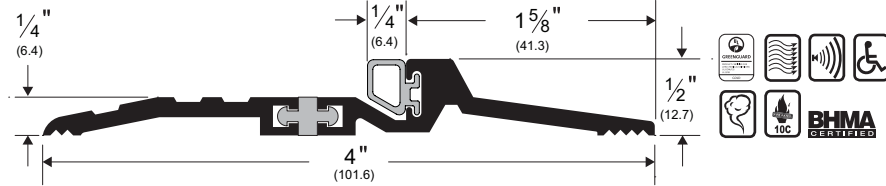
## 273x224\_FGT

AVAILABLE FINISHES: **10BE, A, BSP, D, WSP**  
 REPLACEMENT INSERT: **T5 (BL)**  
 ANSI (aluminum): **J36130, J36139, J36190, J36193**



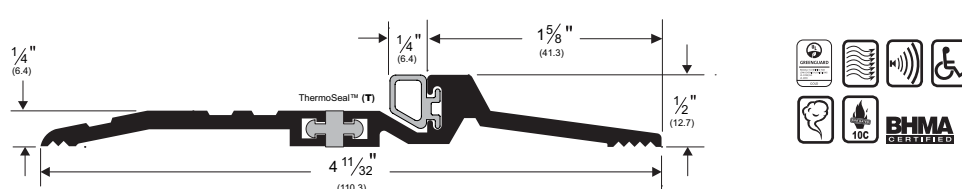
## 278x224\_FGT

AVAILABLE FINISHES: **10BE, A, BSP, D, WSP**  
 REPLACEMENT INSERT: **T5 (BL)**  
 ANSI (aluminum): **J36130, J36139, J36190, J36193**



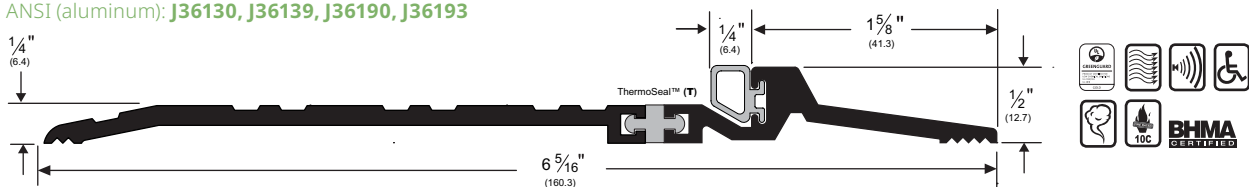
## 279x224\_FGT

AVAILABLE FINISHES: **10BE, A, BSP, D, WSP**  
 REPLACEMENT INSERT: **T5 (BL)**  
 ANSI (aluminum): **J36130, J36139, J36190, J36193**



## 274x224\_FGT

AVAILABLE FINISHES: **10BE, A, BSP, D, WSP**  
 REPLACEMENT INSERT: **T5 (BL)**  
 ANSI (aluminum): **J36130, J36139, J36190, J36193**



Alternate Inserts	
pile (P)	
273x224_FGP	
274x224_FGP	
278x224_FGP	
279x224_FGP	
REPLACEMENT INSERT:	
P2 (BL, W)	
Eco-V™ (V)	
273x224_FGV	
274x224_FGV	
278x224_FGV	
279x224_FGV	
REPLACEMENT INSERT:	
EV41 (BL, GR, W)	

NOTE: Products shown in this section may not be drawn to scale.

AVAILABLE FINISHES FOR PRODUCTS SHOWN ON THIS PAGE  
**10BE** (Satin Bronze Powder Coated Aluminum) **A** (Mill Finish Aluminum) **BSP** (Black Suede Powder Coated Aluminum)  
**D** (Dark Bronze Anodized) **WSP** (White Suede Powder Coated Aluminum)



Experience a safer and more open world

800-824-3018 | www.pemko.com  
 Check the web site for the up-to-date catalog

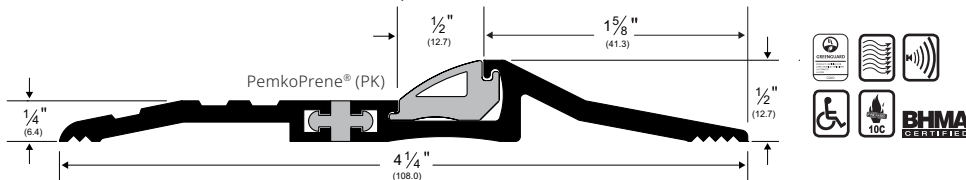
Copyright © 2015-2025, ASSA ABLOY Accessories and Door Controls Group, Inc., an ASSA ABLOY Group company. All rights reserved. Reproduction in whole or in part without the express written permission of ASSA ABLOY Accessories and Door Controls Group, Inc. is prohibited.

# LATCHING PANIC EXIT SADDLES - THERMAL BREAK (Cont.)

- Allow 3/8" door clearance

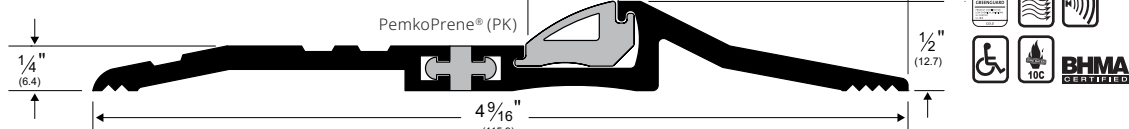
## 278x292\_FGPK

AVAILABLE FINISHES: **10BE, A, BSP, D, WSP**  
 REPLACEMENT INSERT: **PK20 (BL)**  
 ANSI (aluminum): **J35190, J35193, J36190, J36193**



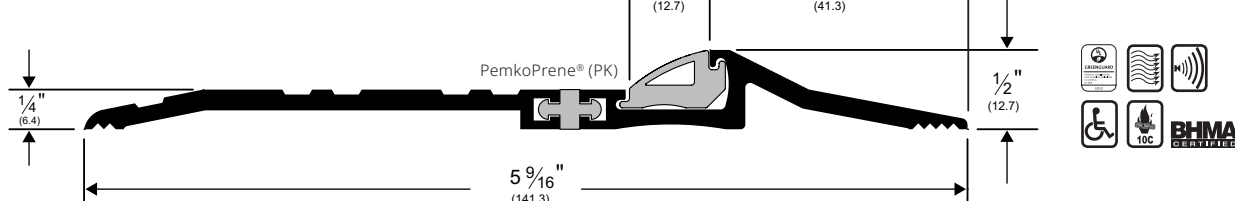
## 279x292\_FGPK

AVAILABLE FINISHES: **10BE, A, BSP, D, WSP**  
 REPLACEMENT INSERT: **PK20 (BL)**  
 ANSI (aluminum): **J35190, J35193, J36190, J36193**



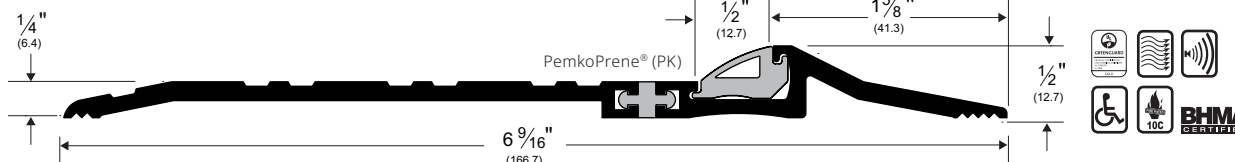
## 273x292\_FGPK

AVAILABLE FINISHES: **10BE, A, BSP, D, WSP**  
 REPLACEMENT INSERT: **PK20 (BL)**  
 ANSI (aluminum): **J35190, J35193, J36190, J36193**



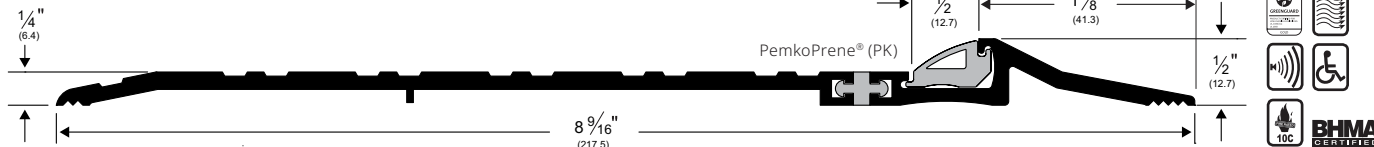
## 274x292\_FGPK

AVAILABLE FINISHES: **10BE, A, BSP, D, WSP**  
 REPLACEMENT INSERT: **PK20 (BL)**  
 ANSI (aluminum): **J35190, J35193, J36190, J36193**



## 2746x292\_FGPK

AVAILABLE FINISHES: **10BE, A, BSP, D, WSP**  
 REPLACEMENT INSERT: **PK20 (BL)**  
 ANSI (aluminum): **J35190, J35193, J36190, J36193**



NOTE: Products shown in this section may not be drawn to scale.

AVAILABLE FINISHES FOR PRODUCTS SHOWN ON THIS PAGE

**10BE** (Satin Bronze Powder Coated Aluminum) **A** (Mill Finish Aluminum) **BSP** (Black Suede Powder Coated Aluminum)  
**D** (Dark Bronze Anodized) **WSP** (White Suede Powder Coated Aluminum)

800-824-3018 | www.pemko.com

Check the web site for the up-to-date catalog

Copyright © 2015-2025, ASSA ABLOY Accessories and Door Controls Group, Inc., an ASSA ABLOY Group company. All rights reserved. Reproduction in whole or in part without the express written permission of ASSA ABLOY Accessories and Door Controls Group, Inc. is prohibited.

**PEMKO**  
**ASSA ABLOY**

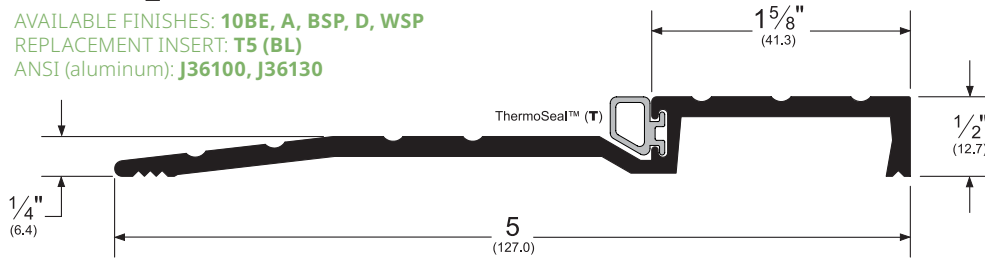
Experience a safer  
 and more open world

## ACOUSTIC THRESHOLDS

- Pemko's line of Acoustic Thresholds are designed to aid with a door's STC rating
- **2006STC** is only ADA compliant when installed butted to other flooring materials in accordance with ADA guidelines
- Thresholds will not improve a door's "sealed in-place" STC rating
- See the Acoustic Catalog Section or visit Pemko's website, [www.pemko.com](http://www.pemko.com), for more Acoustic products and additional information

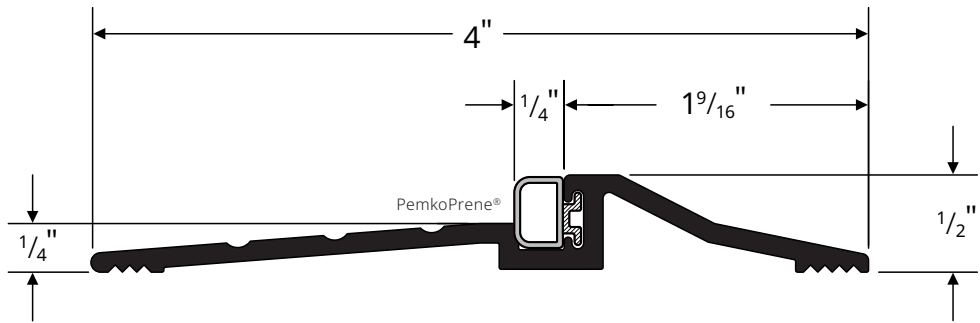
### 2006STC\_

AVAILABLE FINISHES: **10BE, A, BSP, D, WSP**  
 REPLACEMENT INSERT: **T5 (BL)**  
 ANSI (aluminum): **J36100, J36130**



### 2008\_PK

AVAILABLE FINISHES: **10BE, A, BSP, D, WSP**  
 REPLACEMENT INSERT: **PK381 (BL)**  
 ANSI (aluminum): **J36100, J36130**

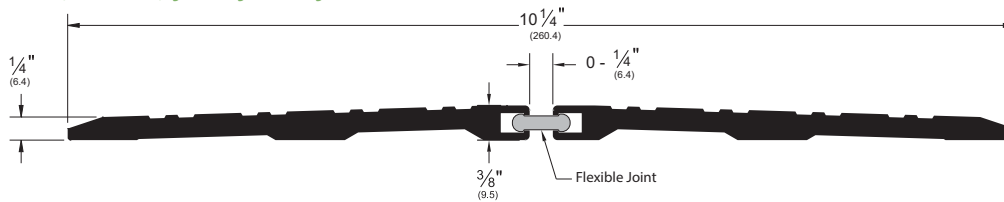


## THRESHOLD WITH FLEXIBLE JOINT

- Flexible joint allows the threshold to flex as much as 20° up or down
- Expands up to an additional 1/4"

### 573x5\_FG

AVAILABLE FINISHES: **A, D**  
 REPLACEMENT INSERT: **PK45 (BL)**  
 ANSI (aluminum): **J3219, J32190, J32193**



\* When used in such a manner that the slope is not steeper than 1:2, and the overall height is 1/2" or less and all other criteria are met.



NOTE: Products shown in this section may not be drawn to scale.

AVAILABLE FINISHES FOR PRODUCTS SHOWN ON THIS PAGE

**10BE** (Satin Bronze Powder Coated Aluminum) **A** (Mill Finish Aluminum) **BSP** (Black Suede Powder Coated Aluminum) **D** (Dark Bronze Anodized) **WSP** (White Suede Powder Coated Aluminum)



Experience a safer and more open world

800-824-3018 | [www.pemko.com](http://www.pemko.com)  
 Check the web site for the up-to-date catalog

Copyright © 2015-2025, ASSA ABLOY Accessories and Door Controls Group, Inc., an ASSA ABLOY Group company. All rights reserved. Reproduction in whole or in part without the express written permission of ASSA ABLOY Accessories and Door Controls Group, Inc. is prohibited.

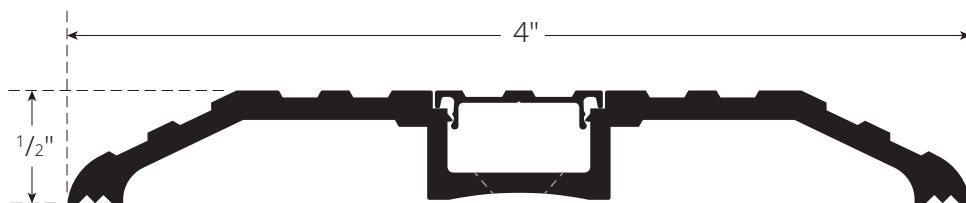


## CONCEALED FASTENER THRESHOLDS

- Material: 6063-T6 Aluminum Alloy and Temper
- Warranty: 5 years from purchase date

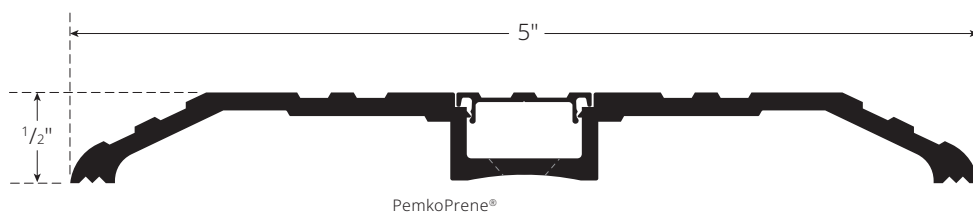
### 650

AVAILABLE FINISHES: **A, D**  
ANSI: **J32100, J32130**



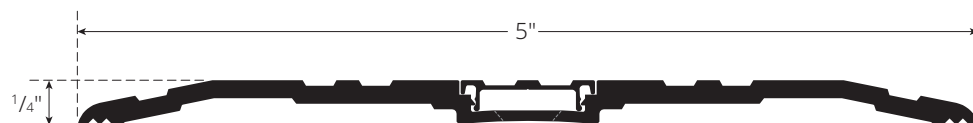
### 651

AVAILABLE FINISHES: **A, D**  
ANSI: **J32100, J32130**



### 671

AVAILABLE FINISHES: **A, D**  
ANSI: **J32100, J32130**



NOTE: Products shown in this section may not be drawn to scale.

AVAILABLE FINISHES FOR PRODUCTS SHOWN ON THIS PAGE  
**A** (Mill Finish Aluminum) **D** (Dark Bronze Anodized)

800-824-3018 | [www.pemko.com](http://www.pemko.com)

Check the web site for the up-to-date catalog

Copyright © 2015-2025, ASSA ABLOY Accessories and Door Controls Group, Inc., an ASSA ABLOY Group company. All rights reserved. Reproduction in whole or in part without the express written permission of ASSA ABLOY Accessories and Door Controls Group, Inc. is prohibited.

**PEMKO**  
**ASSA ABLOY**

Experience a safer  
and more open world

## ECO-V™ THRESHOLDS

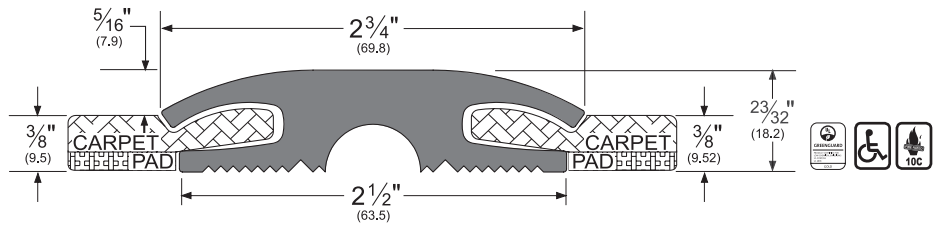
- Eco-V™ thresholds create an ideal transition where two different pieces of carpet meet, or carpet meets another surface under a door
- Ideal for use in any high-traffic commercial installation, such as hotels and offices
- Eco-V™ thresholds are manufactured from slightly softer material than competitive products. This aids in the cutting and fitting of the threshold and facilitates easier insertion of the carpet into the holding cavities on the carpet side(s) of the threshold
- Eco-V™ thresholds are designed to work in conjunction with Pemko's **2173\_V**, **2113\_V** and **2343\_V** door shoes
- **EV232**, **EV2325**, and **ADJ232V** thresholds meet the requirements outlined in **ADAAG-2010 (Amended)**; **ICC/ANSI A117.1** and **California Building Code**, Title 24 for Barrier-Free Entry - 1/2" max rise above finished floor

### EV232\_

AVAILABLE COLORS: **BL, D**

AVAILABLE LENGTHS: **36", 48", 73"**

Serves as a transition where two pieces of carpet meet beneath an interior door

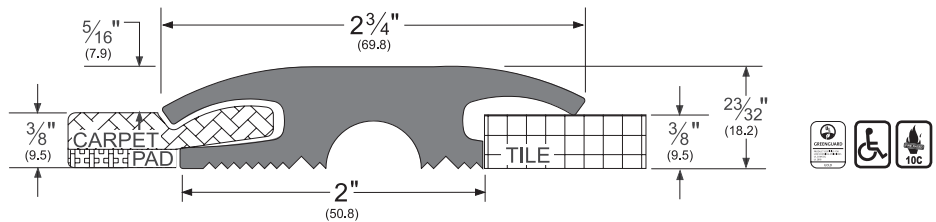


### EV2325\_

AVAILABLE COLORS: **BL, D**

AVAILABLE LENGTHS: **36", 48", 73"**

Serves as a transition where one piece of carpet meets tile beneath an interior door

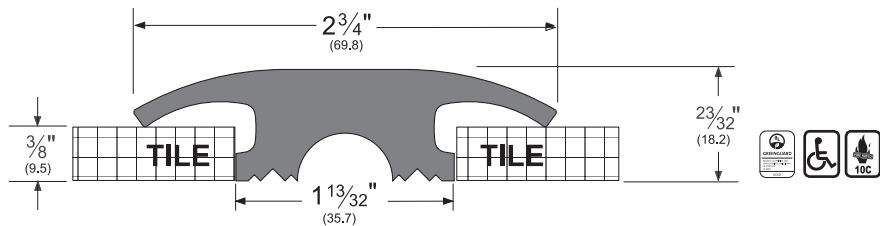


### EV2326\_

AVAILABLE COLORS: **BL, D**

AVAILABLE LENGTHS: **36", 48", 73"**

Serves as a transition where two pieces of tile meet beneath an interior door

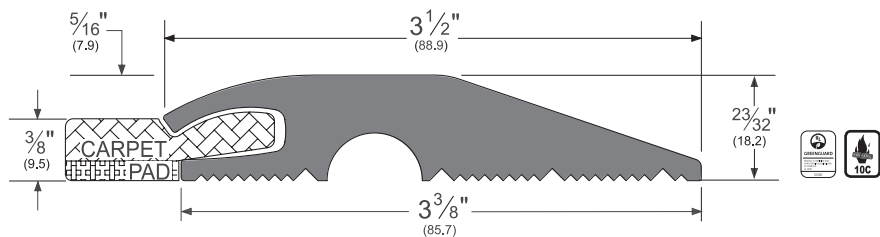


### EV2320\_

AVAILABLE COLOR: **BL**

AVAILABLE LENGTHS: **36", 48", 73"**

Serves as a transition where carpet meets concrete beneath an interior or exterior door

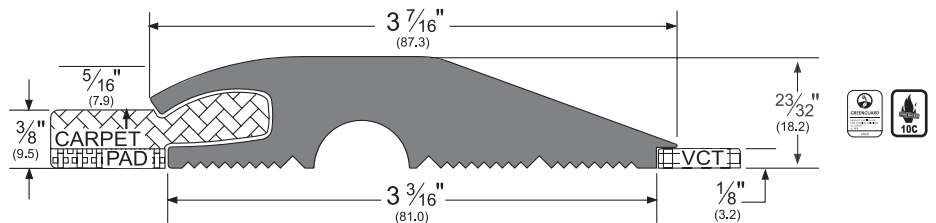


### EV2322\_

AVAILABLE COLOR: **BL**

AVAILABLE LENGTHS: **36", 48", 73"**

Serves as a transition where carpet meets 1/8" tile beneath an interior door



NOTE: Products shown in this section may not be drawn to scale.  
 AVAILABLE FINISHES FOR PRODUCTS SHOWN ON THIS PAGE  
**BL** (Black) **D** (Dark Brown)



Experience a safer and more open world

800-824-3018 | www.pemko.com  
 Check the web site for the up-to-date catalog

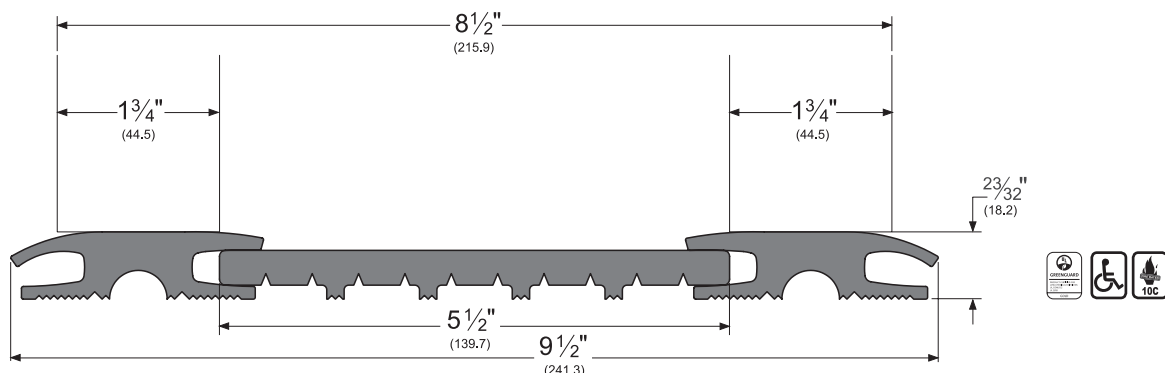
Copyright © 2015-2025, ASSA ABLOY Accessories and Door Controls Group, Inc., an ASSA ABLOY Group company. All rights reserved. Reproduction in whole or in part without the express written permission of ASSA ABLOY Accessories and Door Controls Group, Inc. is prohibited.

## ADJUSTABLE-WIDTH ECO-V™ THRESHOLD

- The adjustable-width threshold is designed for installations where the widths of the transition beneath a door may need to change, without completely disassembling and reinstalling the threshold
- The adjustable-width threshold consists of two Eco-V™ end pieces and one Eco-V™ adjustable center section
- Center section (**EV2321** below) can easily be cut to size with a standard razor knife

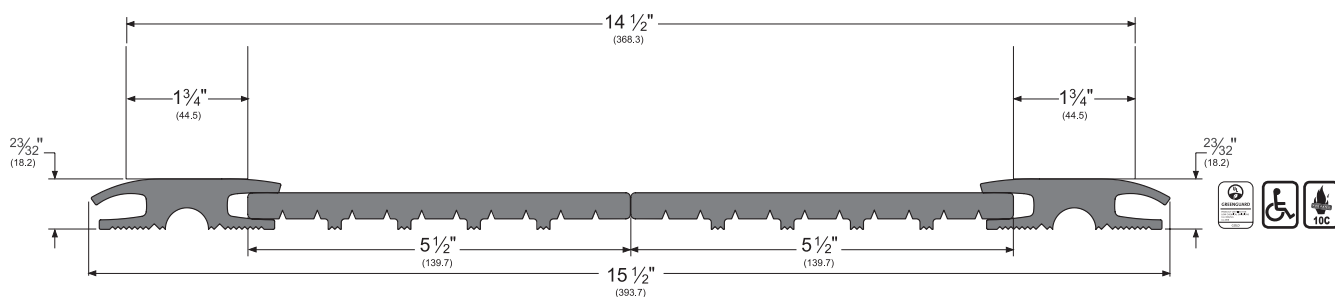
### ADJ232V8\_

AVAILABLE COLOR: **BL, D**  
AVAILABLE LENGTHS: **36", 48"**



### ADJ232V14\_

AVAILABLE COLOR: **BL, D**  
AVAILABLE LENGTHS: **36", 48"**

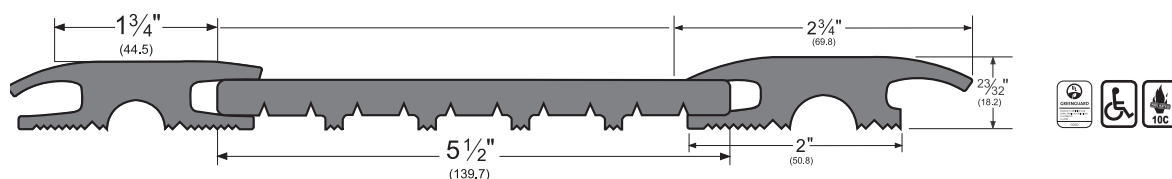


- Eco-V™ threshold ends can be used in many combinations to suit your flooring combination needs
- Shown below is **EV232** used with **EV2325** to illustrate use with carpet outside one communicating door and tile outside the other

### ADJ232x2325V8\_

AVAILABLE COLOR: **BL, D**  
AVAILABLE LENGTHS: **36", 48", 73"**

Serves as a transition where carpet meets tile beneath an interior door



NOTE: Products shown in this section may not be drawn to scale.

AVAILABLE FINISHES FOR PRODUCTS SHOWN ON THIS PAGE  
**BL** (Black) **D** (Dark Brown)

800-824-3018 | [www.pemko.com](http://www.pemko.com)

Check the web site for the up-to-date catalog

Copyright © 2015-2025, ASSA ABLOY Accessories and Door Controls Group, Inc., an ASSA ABLOY Group company. All rights reserved. Reproduction in whole or in part without the express written permission of ASSA ABLOY Accessories and Door Controls Group, Inc. is prohibited.

**PEMKO**  
**ASSA ABLOY**

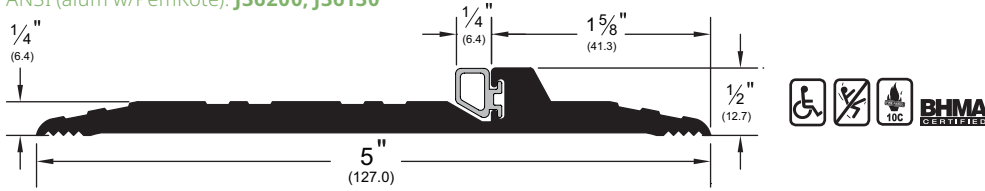
Experience a safer  
and more open world


# HEAVY DUTY LATCHING PANIC EXIT SADDLE THRESHOLD

- Ideal for heavy-duty, high-traffic and high weight-bearing applications, such as industrial facilities, schools, cafeterias, manufacturing buildings and hospitals
- Withstands coastal and high-humidity conditions
- Ultra-durable, extra thick extruded nickel-aluminum construction is guaranteed for ten (10) years

## 2705\_T

AVAILABLE FINISHES: **10BE, A, AK, BSP, D, WSP**  
 ANSI (aluminum): **J35100, J35130, J36100, J36130**  
 ANSI (alum w/PemKote): **J36200, J36130**



  
 All items on this page are available with PemKote™ non-slip coating (see General Information section). Please specify "PemKote™" when ordering. Please furnish drilling instructions when ordering PemKote™ as it is difficult to drill through this coating.


# HEAVY DUTY THRESHOLDS

- Ideal for heavy-duty, high-traffic and high weight-bearing applications, such as industrial facilities, schools, cafeterias, manufacturing buildings and hospitals
- Withstands coastal and high-humidity conditions
- Ultra-durable, extra thick extruded nickel-aluminum construction is guaranteed for ten (10) years

## 2715

AVAILABLE FINISHES: **10BE, A, AK, BSP, D, WSP**  
 ANSI (aluminum): **J32100, J32130**  
 ANSI (alum w/PemKote): **J32200, J32230**



  
 All items on this page are available with PemKote™ non-slip coating (see General Information section). Please specify "PemKote™" when ordering. Please furnish drilling instructions when ordering PemKote™ as it is difficult to drill through this coating.

## 2716

AVAILABLE FINISHES: **10BE, A, AK, BSP, D, WSP**  
 ANSI (aluminum): **J32100, J32130**  
 ANSI (alum w/PemKote): **J32200, J32230**



## 1715\_

AVAILABLE FINISHES: **10BE, A, AK, BSP, D, WSP**  
 ANSI (aluminum): **J32100, J32130**  
 ANSI (alum w/PemKote): **J32200, J32230**  
 Allow 5/8" door clearance



NOTE: Products shown in this section may not be drawn to scale.  
**AVAILABLE FINISHES FOR PRODUCTS SHOWN ON THIS PAGE**  
**10BE** (Satin Bronze Powder Coated Aluminum) **A** (Mill Finish Aluminum)  
**AK** (Mill Finish Aluminum w/PemKote™ Non-Slip Coating) **BSP** (Black Suede Powder Coated Aluminum)  
**D** (Dark Bronze Anodized) **WSP** (White Suede Powder Coated Aluminum)  
 NOTE: **D** is available with limited inventory



Experience a safer and more open world

800-824-3018 | www.pemko.com  
 Check the web site for the up-to-date catalog

## HEAVY DUTY THRESHOLDS (Cont.)

### 1716\_

AVAILABLE FINISHES: **10BE, A, AK, BSP, D, WSP**  
 ANSI (aluminum): **J32100, J32130**  
 ANSI (alum w/PemKote): **J32200, J32230**  
 Allow  $\frac{5}{8}$ " door clearance



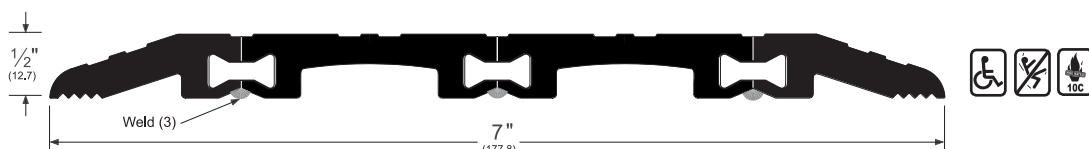
All items on this page are available with PemKote™ non-slip coating (see General Information section). Please specify "PemKote™" when ordering. Please furnish drilling instructions when ordering PemKote™ as it is difficult to drill through this coating.

## MODULAR HEAVY DUTY THRESHOLDS

- Modular construction allows threshold to fit openings up to 15" wide without the expense of custom cast thresholds. There is no restriction on width additions (in 1" increments)
- Modular Thresholds can be thermally broken. Order by adding "FG" to the part number and designate at which joint the thermal key should be supplied. Note that each thermal key will add  $\frac{1}{8}$ " to overall width of threshold.

### 1717\_

AVAILABLE FINISHES: **10BE, A, AK, BSP, D, WSP**  
 Allow  $\frac{5}{8}$ " door clearance



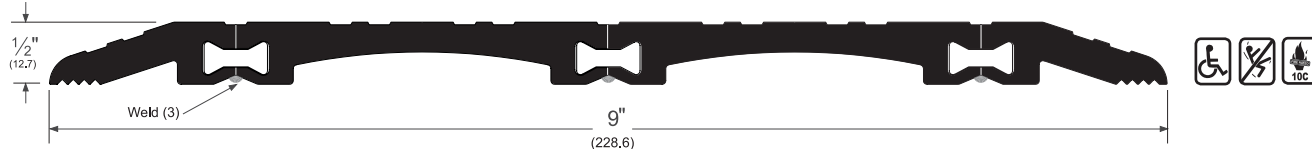
### 1718\_

AVAILABLE FINISHES: **10BE, A, AK, BSP, D, WSP**  
 Allow  $\frac{5}{8}$ " door clearance



### 1719\_

AVAILABLE FINISHES: **10BE, A, AK, BSP, D, WSP**  
 Allow  $\frac{5}{8}$ " door clearance



NOTE: Products shown in this section may not be drawn to scale.

#### AVAILABLE FINISHES FOR PRODUCTS SHOWN ON THIS PAGE

**10BE** (Satin Bronze Powder Coated Aluminum) **A** (Mill Finish Aluminum)  
**AK** (Mill Finish Aluminum w/PemKote™ Non-Slip Coating) **BSP** (Black Suede Powder Coated Aluminum)  
**D** (Dark Bronze Anodized) **WSP** (White Suede Powder Coated Aluminum)

NOTE: **D** is available with limited inventory

800-824-3018 | [www.pemko.com](http://www.pemko.com)

Check the web site for the up-to-date catalog


Copyright © 2015-2025, ASSA ABLOY Accessories and Door Controls Group, Inc., an ASSA ABLOY Group company. All rights reserved. Reproduction in whole or in part without the express written permission of ASSA ABLOY Accessories and Door Controls Group, Inc. is prohibited.

**PEMKO**  
**ASSA ABLOY**

Experience a safer  
 and more open world

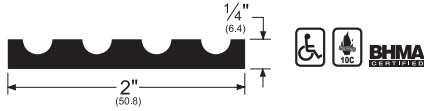
# FLOOR PLATES/SAFETY TREADS

- Pemko can fabricate almost any floor plate threshold you might require
- Furnished undrilled unless drilling instructions are specified when ordering
- Ordering of fasteners does not constitute drilling instructions
- Elevated floor plates require support every 4" on center, at welded seams, and as necessary for support
- Orders with "x" in the product number (i.e. 195 x 193 x 195) indicate welding

 Available with PemKote™ non-slip coating (see General Information section). Please specify "PemKote™" when ordering. Please furnish drilling instructions when ordering PemKote™ as it is difficult to drill through this coating.

## 190\_

AVAILABLE FINISHES: **10BE, A, BSP, D, WSP**  
 ANSI (aluminum): **J37100, J37130**  
 ANSI (brass): **J17100, J17130**



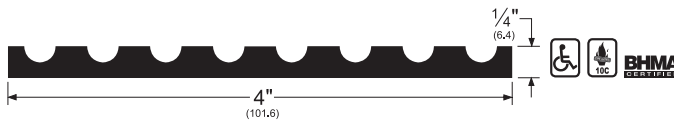
## 191\_

AVAILABLE FINISHES: **10BE, A, BSP, D, WSP**  
 ANSI (aluminum): **J37100, J37130**  
 ANSI (brass): **J17100, J17130**



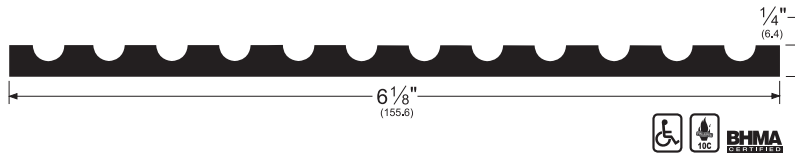
## 192\_

AVAILABLE FINISHES: **10BE, A, BSP, D, WSP**  
 ANSI (aluminum): **J37100, J37130**  
 ANSI (brass): **J17100, J17130**



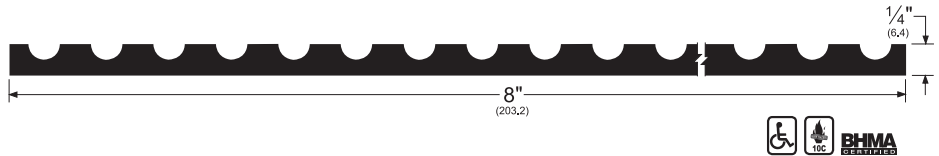
## 193\_

AVAILABLE FINISHES: **10BE, A, BSP, D, WSP**  
 ANSI (aluminum): **J37100, J37130**  
 ANSI (brass): **J17100, J17130**



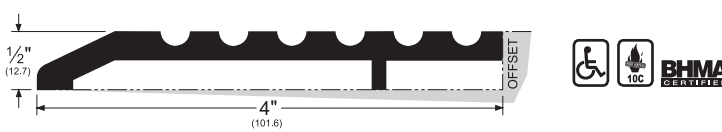
## 228\_

AVAILABLE FINISHES: **10BE, A, BSP, D, WSP**  
 ANSI (aluminum): **J37100, J37130**  
 ANSI (brass): **J17100, J17130**



## 227\_

AVAILABLE FINISHES: **10BE, A, BSP, D, WSP**  
 ANSI (aluminum): **J33100, J33130**  
 ANSI (brass): **J13100, J13130**



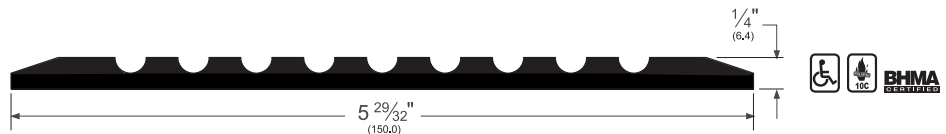
## 229\_

AVAILABLE FINISHES: **10BE, A, BSP, D, WSP**  
 ANSI (aluminum): **J33100, J33130**



## 2266\_

AVAILABLE FINISHES: **10BE, A, BSP, D, WSP**  
 ANSI (aluminum): **J37100, J37130**



## 2286\_

AVAILABLE FINISHES: **10BE, A, BSP, D, WSP**  
 ANSI (aluminum): **J37100, J37130**



NOTE: Products shown in this section may not be drawn to scale.

AVAILABLE FINISHES FOR PRODUCTS SHOWN ON THIS PAGE  
**10BE** (Satin Bronze Powder Coated Aluminum) **A** (Mill Finish Aluminum)  
**BSP** (Black Suede Powder Coated Aluminum) **D** (Dark Bronze Anodized)  
**WSP** (White Suede Powder Coated Aluminum)



Experience a safer and more open world

800-824-3018 | www.pemko.com  
 Check the web site for the up-to-date catalog

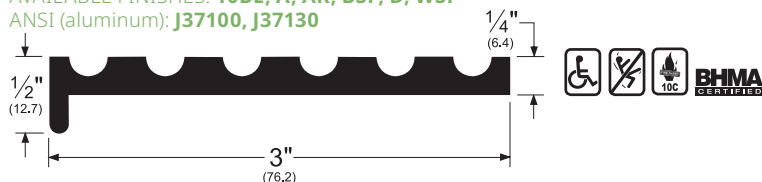
Copyright © 2015-2025, ASSA ABLOY Accessories and Door Controls Group, Inc., an ASSA ABLOY Group company. All rights reserved. Reproduction in whole or in part without the express written permission of ASSA ABLOY Accessories and Door Controls Group, Inc. is prohibited.

## FLOOR PLATES/SAFETY TREADS (Cont.)

19125\_

AVAILABLE FINISHES: **10BE, A, AK, BSP, D, WSP**

ANSI (aluminum): **J37100, J37130**



## ALUMINUM PLATES

- Used where a cover plate, expansion joint plate, or wide extra-strength metal plate is needed
- Maximum length is 144". All aluminum plates are provided NET length
- Both length edges are beveled at a 45° angle; "single edge bevel" or "no bevel" is also available at no extra cost; length of plate should be roughly equal to width of opening.
- Plates are supplied undrilled unless otherwise specified. Pemko reserves the right to charge for special fastener patterns
- Plates are furnished with #10 x 1 1/2" wood screws. Screws supplied: one (1) screw per foot up to 8" wide; two (2) screws per foot 8" to 12" wide; and three (3) screws per foot over 12" wide
- Plates are ADA compliant only when ordered with PemKote finish

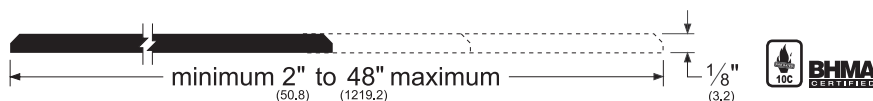


18/1\_ - (width x length)

AVAILABLE FINISH: **10BE, A, AK, BSP, WSP**

ANSI (aluminum): **J37300, J37330**

ANSI (alum w/PemKote): **J37400, J37430**

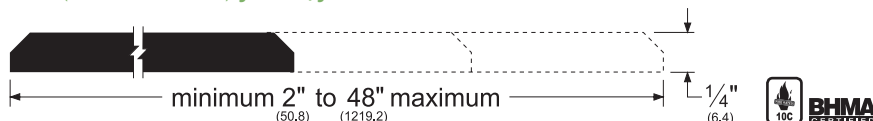


14/1\_ - (width x length)

AVAILABLE FINISH: **10BE, A, AK, BSP, WSP**

ANSI (aluminum): **J37300, J37330**

ANSI (alum w/PemKote): **J37400, J37430**



NOTE: Products shown in this section may not be drawn to scale.

AVAILABLE FINISHES FOR PRODUCTS SHOWN ON THIS PAGE

**10BE** (Satin Bronze Powder Coated Aluminum) **A** (Mill Finish Aluminum)

**AK** (Mill Finish Aluminum w/PemKote™ Non-Slip Coating) **BSP** (Black Suede Powder Coated Aluminum)

**D** (Dark Bronze Anodized) **WSP** (White Suede Powder Coated Aluminum)

NOTE: **D** is available with limited inventory

800-824-3018 | [www.pemko.com](http://www.pemko.com)

Check the web site for the up-to-date catalog

Copyright © 2015-2025, ASSA ABLOY Accessories and Door Controls Group, Inc., an ASSA ABLOY Group company. All rights reserved.  
Reproduction in whole or in part without the express written permission of ASSA ABLOY Accessories and Door Controls Group, Inc. is prohibited.

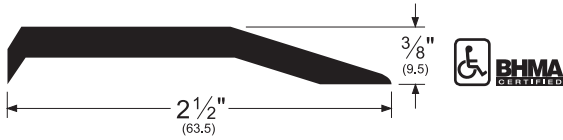
**PEMKO**  
**ASSA ABLOY**

Experience a safer  
and more open world

# CARPET SEPARATORS

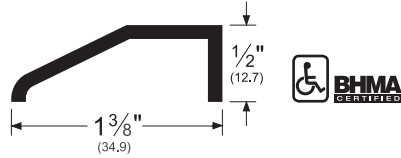
## 174\_

AVAILABLE FINISHES: **10BE, BSP, C, D, WSP**  
 ANSI (aluminum): **J32300, J32340**  
 ANSI (brass): **J17300, J17330**



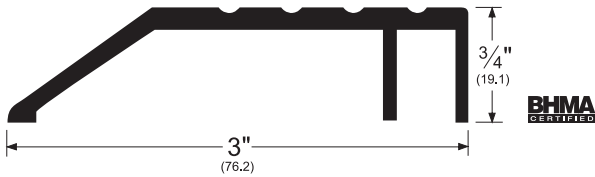
## 1951\_

AVAILABLE FINISHES: **A, D**  
 ANSI (aluminum): **J37300, J37330**  
 • Supplied undrilled unless otherwise specified  
 • ADA compliant when butted to 1/4" or 1/2" high flooring material



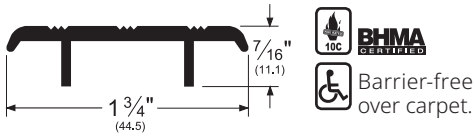
## 230\_

AVAILABLE FINISHES: **10BE, A, BSP, D, WSP**



## 236\_

AVAILABLE FINISHES: **10BE, A, BDG, BSP, D, WSP**  
 ANSI (aluminum): **J32134**



## 2364\_

AVAILABLE FINISHES: **10BE, A, BSP, D, WSP**  
 ANSI (aluminum): **J32134, J32140**



NOTE: Products shown in this section may not be drawn to scale.  
 AVAILABLE FINISHES FOR PRODUCTS SHOWN ON THIS PAGE  
**10BE** (Satin Bronze Powder Coated Aluminum) **A** (Mill Finish Aluminum)  
**BSP** (Black Suede Powder Coated Aluminum) **C** (Clear Anodized)  
**D** (Dark Bronze Anodized) **WSP** (White Suede Powder Coated Aluminum)



Experience a safer  
and more open world

800-824-3018 | [www.pemko.com](http://www.pemko.com)  
 Check the web site for the up-to-date catalog

Copyright © 2015-2025, ASSA ABLOY Accessories and Door Controls Group, Inc., an ASSA ABLOY Group company. All rights reserved.  
 Reproduction in whole or in part without the express written permission of ASSA ABLOY Accessories and Door Controls Group, Inc. is prohibited.

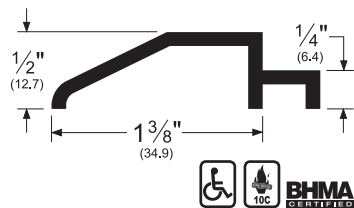


## FLOOR PLATE SUPPORTS/ACCESSORIES

- Please see information under Floor Plates and Safety Treads (page 134-135)

### 195\_

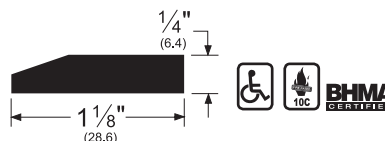
AVAILABLE FINISHES: **10BE, A, BSP, D, WSP**  
 ANSI (aluminum): **J37300**  
 ANSI (brass): **J17300**



### 196\_

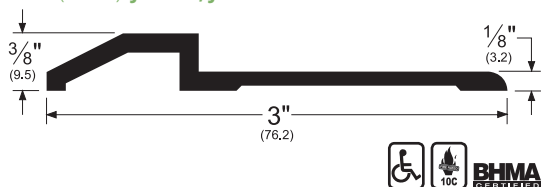
AVAILABLE FINISHES: **10BE, A, B, BSP, D, WSP**  
 ANSI (aluminum): **J37300, J37330**  
 ANSI (brass): **J17300, J17330**

When ordering, specify whether 196 material is to be used as trim or support



### 200\_

AVAILABLE FINISHES: **10BE, A, BSP, D, WSP**  
 ANSI (aluminum): **J37300, J37330**  
 ANSI (brass): **J17300, J17330**

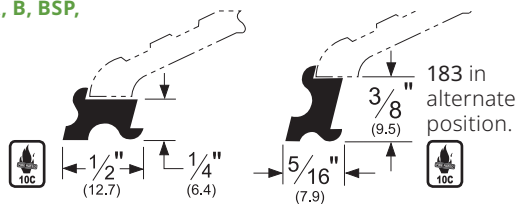


## ELEVATORS

- Elevators allow for custom sizing in offset conditions
- Fasteners are not included and are not required with these shapes when used in conjunction with a threshold

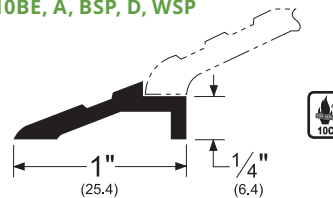
### 183\_

AVAILABLE FINISHES:  
**10BE, A, B, BSP, D, WSP**



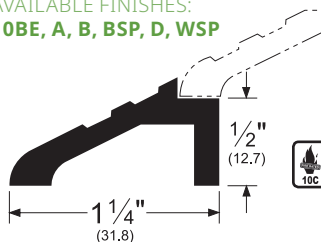
### 282\_

AVAILABLE FINISHES:  
**10BE, A, BSP, D, WSP**



### 283\_

AVAILABLE FINISHES:  
**10BE, A, B, BSP, D, WSP**



NOTE: Products shown in this section may not be drawn to scale.

AVAILABLE FINISHES FOR PRODUCTS SHOWN ON THIS PAGE  
**10BE** (Satin Bronze Powder Coated Aluminum) **A** (Mill Finish Aluminum)  
**B** (Mill Finish Extruded Bronze [Brass])  
**BSP** (Black Suede Powder Coated Aluminum) **C** (Clear Anodized)  
**D** (Dark Bronze Anodized) **WSP** (White Suede Powder Coated Aluminum)

800-824-3018 | [www.pemko.com](http://www.pemko.com)  
 Check the web site for the up-to-date catalog

Copyright © 2015-2025, ASSA ABLOY Accessories and Door Controls Group, Inc., an ASSA ABLOY Group company. All rights reserved.  
 Reproduction in whole or in part without the express written permission of ASSA ABLOY Accessories and Door Controls Group, Inc. is prohibited.

**PEMKO**  
**ASSA ABLOY**

Experience a safer  
 and more open world

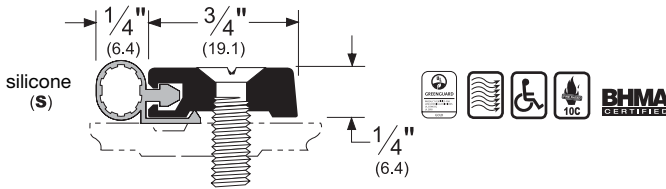
# THRESHOLD STOP STRIPS

- Use with standard flat top, saddle threshold to provide a door stop and seal at bottom of door
- Stop strips are supplied pre-drilled with #10-24 Phillips flat head machine screws of appropriate length
- These stops will affect the pivot hole location of an assembly

## 1842\_S

AVAILABLE FINISHES: **10BE, A, BSP, D, WSP**  
 REPLACEMENT INSERT: **S3 (BL, W)**

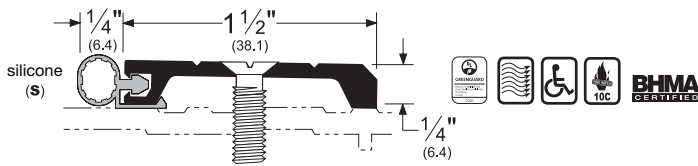
- Allow 1/8" door clearance from top of threshold
- Barrier-free with 1/4" saddle only



## 290\_SSTOP

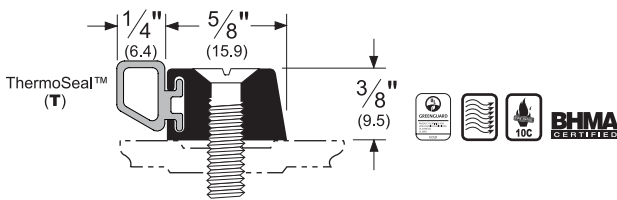
AVAILABLE FINISHES: **10BE, A, BSP, D, G, WSP**  
 REPLACEMENT INSERT: **S3 (BL, W)**

- Allow 1/8" door clearance from top of threshold
- Barrier-free with 1/4" saddle only



## 184\_T

AVAILABLE FINISHES: **10BE, A, BSP, D, WSP**  
 REPLACEMENT INSERT: **T5 (BL)**



Alternate Inserts

**1842\_PK**  
**290\_PKSTOP**  
 REPLACEMENT INSERT:  
**PK47 (BL, GR)**

Alternate Inserts

**1842\_V**  
**290\_VSTOP**  
 REPLACEMENT INSERT:  
**EV47 (BL, GR, W)**

Alternate Inserts

**184\_P**  
 REPLACEMENT INSERT:  
**P2 (BL, GR)**

Alternate Inserts

**184\_V**  
 REPLACEMENT INSERT:  
**EV41 (BL, GR, W)**

NOTE: Products shown in this section may not be drawn to scale.

**AVAILABLE FINISHES FOR PRODUCTS SHOWN ON THIS PAGE**

**10BE** (Satin Bronze Powder Coated Aluminum) **A** (Mill Finish Aluminum) **B** (Mill Finish Extruded Bronze [Brass])  
**BSP** (Black Suede Powder Coated Aluminum) **D** (Dark Bronze Anodized) **G** (Gold Anodized)  
**WSP** (White Suede Powder Coated Aluminum)

NOTE: **G** is available with limited inventory



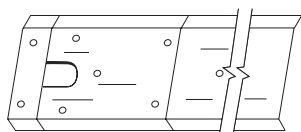
Experience a safer  
 and more open world

## FLOOR CLOSER THRESHOLDS/COVER PLATE ASSEMBLIES

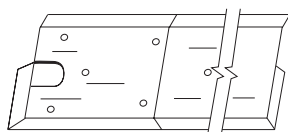
- **TYPE OF ASSEMBLY** – Type 11 or 14 for center hung, Type 13 or 15 for offset hung
- **MATERIALS** – Saddles, floor plates, supports, risers, elevators, and stop strips
- **CLOSER TO BE USED** – Manufacturer and model number
- **NET LENGTH** – Jamb-to-jamb. Assembly Types 11, 13 and 14 are cut with center section  $\frac{1}{2}$ " over net length up to 48" and 1" over net length over 48" to allow for fitting on the job. Please specify "net length", if required. Assembly Type 15 is cut at net length because of factory-cut miters
- **HANDING** – For single doors, specify right or left hand. For pairs of doors, handing is not required
- **SPECIAL FINISHES** – Examples include polished, oxidized and oil rubbed, and PemKote™
- **SPECIAL FASTENERS** – For center section only. Examples include: MSES, FHSL25, and MSES-SS
- **SPECIAL FABRICATION INSTRUCTIONS** – Notching, full miters, etc. Assembly Type 11 is supplied without mitered ends, and assembly Types 13, 14 and 15 are supplied with both ends mitered. Also, when ordering stop strips (shown on page 132), specify door thickness and pivot offset so that the threshold assembly width and pivot dimension can be determined
- **RETURNS AND ALLOWANCES** – Restock fee for "custom" material applies to these products



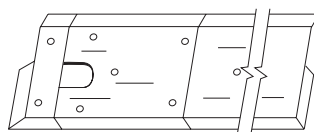
THRESHOLD WIDTH	FASTENER ROWS	THRESHOLD WIDTH	FASTENER ROWS
2" to 7 $\frac{7}{8}$ "	1 Row	19" to 24 $\frac{7}{8}$ "	4 Rows
8" to 12 $\frac{7}{8}$ "	2 Rows	25" to 30 $\frac{7}{8}$ "	5 Rows
13" to 18 $\frac{7}{8}$ "	3 Rows	31" to 36 $\frac{7}{8}$ "	6 Rows



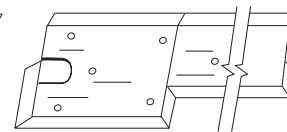
**TYPE 11**  
Center hung



**TYPE 13**  
Offset



**TYPE 14**  
Center hung



**TYPE 15**  
Offset

THRESHOLDS FOR TYPE 11, 13, 14				
SIZE	PRODUCT NUMBER	FINISHES	PRODUCT NUMBER	FINISHES
$\frac{1}{2}$ " x 7"	176_	A, B, D, G		
$\frac{1}{4}$ " x 7"	276_	A, B, D, G		
$\frac{1}{2}$ " x 8"	2548_	A, D, G	254_ x 4_	B
$\frac{1}{4}$ " x 8"	2748_	A, D, G	274_ x 4_	B
$\frac{1}{2}$ " x 8 $\frac{7}{8}$ "	193_ x 2/195_	A, D, G		
* $\frac{3}{4}$ " x 12" x $\frac{1}{4}$ "	257_ x 259_	A, B, D, G		

\* Ramp threshold for  $\frac{1}{2}$ " offset.

Pemko	Rixson
Type 11	Type 1
Type 13	Type 3
Type 14	Type 4
Type 15	Type 5

THRESHOLDS FOR TYPE 15				
SIZE	PRODUCT NUMBER	FINISHES	PRODUCT NUMBER	FINISHES
$\frac{1}{2}$ " x 7" x 4"	176_ x 170_	A, B, D, G		
$\frac{1}{4}$ " x 7" x 4"	276_ x 270_	A, B, D, G		
$\frac{1}{2}$ " x 7" x 5"	176_ x 171_	A, B, D, G		
$\frac{1}{4}$ " x 7" x 5"	276_ x 271_	A, B, D, G		
$\frac{1}{2}$ " x 8" x 4"	2548_ x 170_	A, D, G	254 x 4_ x 170_	B
$\frac{1}{4}$ " x 8" x 4"	2748_ x 270_	A, D, G	274 x 4_ x 270_	B
$\frac{1}{2}$ " x 8" x 5"	2548_ x 171_	A, D, G	254 x 4_ x 171_	B
$\frac{1}{4}$ " x 8" x 5"	2748_ x 271_	A, D, G	274 x 4_ x 271_	B

NOTE: Products shown in this section may not be drawn to scale.

AVAILABLE FINISHES FOR PRODUCTS SHOWN ON THIS PAGE

**A** (Mill Finish Aluminum) **B** (Mill Finish Extruded Bronze [Brass]) **D** (Dark Bronze Anodized) **G** (Gold Anodized)

NOTE: **G** is available with limited inventory

800-824-3018 | [www.pemko.com](http://www.pemko.com)

Check the web site for the up-to-date catalog

Copyright © 2015-2025, ASSA ABLOY Accessories and Door Controls Group, Inc., an ASSA ABLOY Group company. All rights reserved. Reproduction in whole or in part without the express written permission of ASSA ABLOY Accessories and Door Controls Group, Inc. is prohibited.

**PEMKO**  
**ASSA ABLOY**

Experience a safer  
and more open world

## ANSI/BHMA A156.21 THRESHOLDS - CROSS REFERENCE

- Following a profile number, “**A**” signifies the base metal as aluminum and will include any anodized finish
- Following a profile number, “**B**” signifies the base metal as architectural bronze [brass]
- Consult [www.buildershardware.com](http://www.buildershardware.com) for the most up-to-date BHMA Certified Product Directory (CPD) information

ANSI No.	Pemko Item#
J12100	170B, 171B, 172B, 176B, 198B, 254x4B, 254x5B, 255x5B, 270B, 271B, 272B, 274x4B, 276B
J12130	170B, 171B, 172B, 176B, 254x4B, 254x5B, 255x5B, 270B, 271B, 272B, 274x4B, 276B
J12134	236B, 2364B
J12139	252x2BFG, 252x3BFG, 253x3BFG, 253x4BFG, 254x4BFG, 254x5BFG, 255x5BFG, 273x3BFG, 273x4BFG, 274x4BFG
J12190	252x2BFG, 252x3BFG, 253x3BFG, 253x4BFG, 254x4BFG, 254x5BFG, 255x5BFG, 273x3BFG, 273x4BFG, 274x4BFG
J12193	252x2BFG, 252x3BFG, 253x3BFG, 253x4BFG, 254x4BFG, 254x5BFG, 273x3BFG, 273x4BFG, 274x4BFG
J12300	151B, 173B, 175B
J12330	151B, 173B, 175B
J13100	227B, 252B, 253B, 254B, 255B, 273B, 274B
J13130	227B, 252B, 253B, 254B, 255B, 273B, 274B
J13133	273B, 274B
J14170	101B, 108B, 114B
J15100	177B, 181B, 2005B, 252x226B, 253x226B, 254x226B, 255x226B
J15130	2005B
J15190	252x226BFG, 253x226BFG, 254x226BFG, 255x226BFG
J15300	159B
J16100	177BT, 181BT, 2005B, 2005BT, 252x226BT, 253x226BT, 254x226BT, 255x226BT
J16130	2005B
J16300	159BT
J17300	174B, 195B, 196B, 200B
J17330	174B, 195B, 196B, 200B
J18130	257B, 259B, 275x259B
J19100	176B, 254x4B, 257B/259B, 274x4B, 276B
J19130	176B, 254x4B, 257B/259B, 274x4B, 276B
J19135	176B, 176B, 176Bx170B, 176Bx171B, 254x4B, 254x4B, 254x4Bx170B, 254x4Bx171B, 257B/259B, 257B/259B, 274x4B, 274x4B, 274x4Bx270B, 274x4Bx271B, 276B, 276B, 276Bx270B, 276Bx271B
J19150	176B, 176B, 176Bx170B, 176Bx171B, 254x4B, 254x4Bx170B, 254x4Bx171B, 257B/259B, 274x4B, 274x4B, 274x4Bx270B, 274x4Bx271B, 276B, 276B, 276Bx270B, 276Bx271B
J31100	206AV, 207AV
J32100	156A, 1571A, 157A, 158A, 166A, 169A, 1700A, 170A, 1715A, 171A, 172A, 176A, 182A, 198A, 2548A, 2549A, 2550A, 2555x253A, 256x6A, 256x6A, 270A, 2715A, 2716A, 271A, 2727A, 272A, 2746x6A, 2748A, 2749A, 2750A, 276A

**PEMKO**  
**ASSA ABLOY**

Experience a safer  
and more open world

800-824-3018 | [www.pemko.com](http://www.pemko.com)  
Check the web site for the up-to-date catalog

Copyright © 2015-2025, ASSA ABLOY Accessories and Door Controls Group, Inc., an ASSA ABLOY Group company. All rights reserved.  
Reproduction in whole or in part without the express written permission of ASSA ABLOY Accessories and Door Controls Group, Inc. is prohibited.

## ANSI/BHMA A156.21 THRESHOLDS - CROSS REFERENCE (Cont.)

ANSI No.	Pemko Item#
J32130	158A, 166A, 169A, 1700A, 1701A, 1715A, 1716A, 1716A, 171A, 172A, 176A, 2548A, 2549A, 2550A, 2555x253A, 256x6A, 256x6A, 270A, 2715A, 2716A, 271A, 2727A, 272A, 2746x6A, 2748A, 2749A, 2750A, 276A
J32134	236A, 2364A, 2366A
J32138	158A, 2727A
J32139	252x2AFG, 252x3AFG, 253x3AFG, 253x4AFG, 253x6AFG, 254x4AFG, 254x5AFG, 2555x253AFG, 255x5AFG, 256x6AFG, 273x3AFG, 273x4AFG, 2746x6AFG, 274x4AFG
J32140	236A
J32180	157A, 1571A, 158A, 182A, 2727A
J32190	252x2AFG, 252x3AFG, 253x3AFG, 253x4AFG, 253x6AFG, 254x4AFG, 254x5AFG, 2555x253AFG, 255x5AFG, 256x6AFG, 273x3AFG, 273x4AFG, 2746x6AFG, 274x4AFG
J32193	252x2AFG, 252x3AFG, 253x3AFG, 253x4AFG, 253x6AFG, 254x4AFG, 254x5AFG, 2555x253AFG, 255x5AFG, 256x6AFG, 273x3AFG, 273x4AFG, 2746x6AFG, 274x4AFG
J32200	1715AK, 2715AK, 2716AK
J32230	1715AK, 1716AK, 2715AK, 2716AK
J32300	151A, 1546A, 1547A, 154A, 173A, 174A, 175A
J32330	151A, 1546A, 1547A, 154A, 173A, 174A, 175A
J33100	157A, 1571A, 182A, 1875A, 1877A, 227A, 229A, 252A, 253A, 254A, 2555A, 255A, 2565A, 256A, 273A, 2746A, 274A, 278A, 279A
J33130	227A, 229A, 252A, 253A, 254A, 255A, 2565A, 256A, 273A, 2746A, 274A, 278A, 279A
J33133	273A, 2746A, 274A, 278A, 279A
J33180	1875A, 1877A
J34170	101A, 107A, 114A, 121A, 123A
J35100	177A, 179A, 181A, 2005A, 2006A, 2008A, 252x226A, 253x226A, 254x226A, 255x226A, 2705A, 277A
J35130	2005A, 206A, 2008A, 2705A
J35190	252x226AFG, 253x226AFG, 254x226AFG, 255x226AFG
J35300	159A, 185A, 1855A
J36100	177AT, 179AT, 181AT, 2005AT, 2006AT, 2006STC, 2007AT, 2008APK, 2009APK, 2010APK, 252x226A, 252x266A, 253x226A, 254x226AT, 255x226AT, 2705A, 277AR, 277AS
J36130	2005A, 2005AT, 2006AT, 2006STC, 2008APK, 2009APK, 2010APK, 2705A, 273x224AFG, 273x292AFG, 2746x292AFG, 274x224AFG, 274x292AFG, 278x224AFG, 278x292AFG, 279x224AFG, 279x292AFG
J36139	273x224AFG, 273x292AFG, 2746x292AFG, 274x224AFG, 274x292AFG, 278x224AFG, 278x292AFG, 279x224AFG, 279x292AFG
J36190	252x226AFGT, 253x226AFG, 253x226BFG, 254x226AFG, 255x226AFG, 273x224AFG, 273x292AFG, 2746x292AFG, 274x224AFG, 274x292AFG, 278x224AFG, 278x292AFG, 279x224AFG, 279x292AFG
J36193	273x224AFG, 273x292AFG, 2746x292AFG, 274x224AFG, 274x292AFG, 278x224AFG, 278x292AFG, 279x224AFG, 279x292AFG
J36200	2705AK
J36230	2705AK

## ANSI/BHMA A156.21 THRESHOLDS - CROSS REFERENCE (Cont.)

ANSI No.	Pemko Item#
J36300	159AT, 185AT, 1855AT
J37100	190A, 191A, 192A, 193A, 228A, 2266A, 2286A, 19125A
J37130	190A, 191A, 192A, 193A, 228A, 2266A, 2286A, 19125A
J37200	190AK, 191AK, 192AK, 193AK, 19125AK
J37230	190AK, 191AK, 192AK, 193AK, 19125AK
J37300	14/1A, 18/1A, 194A, 1951A, 195A, 196A, 200A
J37330	14/1A, 174C, 18/1A, 1951A, 195A, 196A, 200A
J37400	14/1A, 18/1A
J37430	14/1A, 18/1A
J38130	257A, 259A, 257x259A, RAMP10A, RAMP11A, RAMP12A, RAMP1A, RAMP2A, RAMP3A, RAMP4A, RAMP5A, RAMP6A, RAMP7A, RAMP8A, RAMP9A, WING10, WING16, WINGEXT
J38230	257AK, 259AK, 257x259AK, 257x259BK, RAMP10AK, RAMP11AK, RAMP12AK, RAMP1AK, RAMP2AK, RAMP3AK, RAMP4AK, RAMP5AK, RAMP6AK, RAMP7AK, RAMP8AK, RAMP9AK, WING10K, WING16K, WINGEXT
J39100	176A, 193Ax2/195A, 2548A, 257Ax259A, 2748A, 276A, RAMP1A
J39130	176A, 193Ax2/195A, 2548A, 257Ax259A, 2748A, 276A, RAMP1A
J39135	176A, 176Ax170A, 176Ax171A, 2548A, 2548Ax170A, 2548Ax171A, 257Ax259A, 2748A, 2748Ax270A, 2748Ax271A, 276A, 276Ax270A, 276Ax271A, RAMP1A
J39150	176A, 176Ax170A, 176Ax171A, 2548A, 2548Ax170A, 2548Ax171A, 257Ax259A, 2748A, 2748Ax270A, 2748Ax271A, 276A, 276Ax270A, 276Ax271A, RAMP1A
J52300	154SS, 158SS, 175SS
J52330	154SS, 175SS, 252x2SSFG, 252x3SSFG, 252x4SSFG, 253x3SSFG, 253x4SSFG, 254x4SSFG
J52338	158SS
J52339	252x2SSFG, 252x3SSFG, 252x4SSFG, 253x3SSFG, 253x4SSFG, 254x4SSFG
J52380	158SS
J52390	252x2SSFG, 252x3SSFG, 252x4SSFG, 253x3SSFG, 253x4SSFG, 254x4SSFG
J52393	252x2SSFG, 252x3SSFG, 252x4SSFG, 253x3SSFG, 253x4SSFG, 254x4SSFG
J53300	252SS, 253SS, 254SS
J53330	252SS, 253SS, 254SS
J53300	252SS, 253SS, 254SS
J53330	252SS, 253SS, 254SS

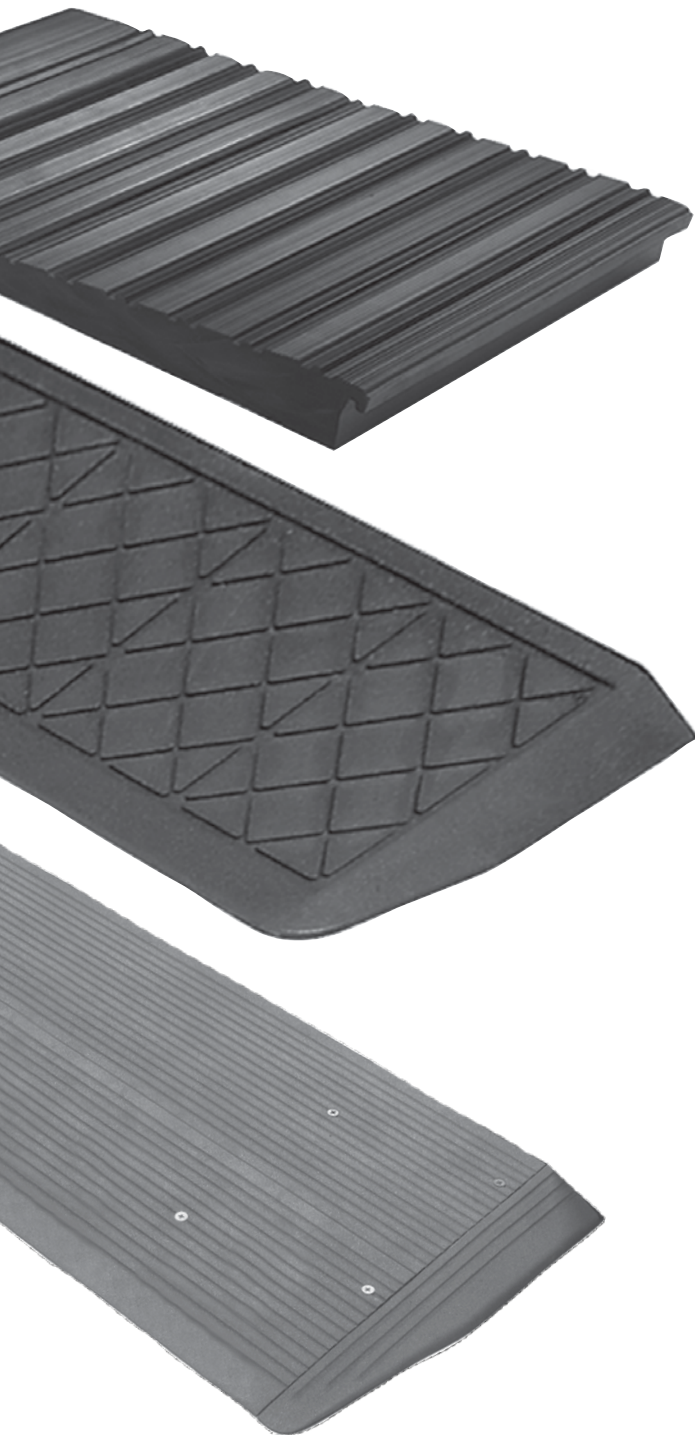
# PEMKO MODULAR RAMPS

## CONTENTS:

Ramp Ordering Information.....	120
Modular Ramp Threshold Assemblies - Flush Applications.....	121
Modular Ramp Threshold Assemblies - Offset (7" Top Plate).....	122
Modular Ramp Threshold Assemblies - Offset (3½" Top Plate).....	123
Modular Ramp Threshold Components.....	124
Modular Ramp Threshold Assemblies - Variables.....	125
Risers for Modular Ramps.....	125
Miter Returns For All Modular Ramp Thresholds.....	126
Barrier-Free Ramp Thresholds.....	127
Fire Retardant and Styrene Butadiene Rubber Ramp Thresholds.....	128
Recycled Rubber Ramp Assembly.....	129

## INDEX:

<u>PRODUCT</u>	<u>PAGE</u>	<u>PRODUCT</u>	<u>PAGE</u>	<u>PRODUCT</u>	<u>PAGE</u>
257.....	127	R1OSSMR.....	123	RAMP 6.....	124
257x259.....	127	R2.25F.....	121	RAMP 7.....	125
259.....	127	R2.25FMR.....	121	RAMP 8.....	124
R1.5F.....	121	R2F.....	121	RAMP 8.....	125
R1.5FMR.....	121	R2FMR.....	121	RAMP 9.....	124
R1.5OS.....	122	R2OS.....	122	RAMP 10.....	124
R1.5OSMR.....	122	R2OSMR.....	122	RAMP 11.....	124
R1.5OSS.....	123	R2OSS.....	123	RAMP 12.....	124
R1.5OSSMR.....	123	R2OSSMR.....	123	RAMP 13.....	125
R1.25F.....	121	R.5F.....	121	RAMP 14.....	125
R1.25FMR.....	121	R.5FMR.....	121	RR1.....	128
R1.25OS.....	122	R.5OS.....	122	RR1.25FMR.....	129
R1.25OSMR.....	122	R.5OSMR.....	122	RR2.....	128
R1.25OSS.....	123	R.5OSS.....	123	RVAR1/A.....	125
R1.25OSSMR.....	123	R.5OSSMR.....	123	RVAR1/AK.....	125
R1.75F.....	121	R.75F.....	121	RVARIOSS.....	125
R1.75FMR.....	121	R.75FMR.....	121	SBR1F.....	128
R1.75OS.....	122	R.75OS.....	122	SBR1FMR.....	128
R1.75OSMR.....	122	R.75OSMR.....	122	SBR.5F.....	128
R1.75OSS.....	123	R.75OSS.....	123	SBR.5FMR.....	128
R1.75OSSMR.....	123	R.75OSSMR.....	123	WING 10_H.....	126
R1F.....	121	RAMP 1.....	124	WING 16_H.....	126
R1FMR.....	121	RAMP 2.....	125	WING EXT_H.....	126
R1OS.....	122	RAMP 3.....	124		
R1OSMR.....	122	RAMP 4.....	124		
R1OSS.....	123	RAMP 5.....	124		



800-824-3018 | [www.pemko.com](http://www.pemko.com)  
 Check the web site for the up-to-date catalog

Copyright © 2015-2025, ASSA ABLOY Accessories and Door Controls Group, Inc., an ASSA ABLOY Group company. All rights reserved.  
 Reproduction in whole or in part without the express written permission of ASSA ABLOY Accessories and Door Controls Group, Inc. is prohibited.

**PEMKO**  
**ASSA ABLOY**

Experience a safer  
 and more open world

# RAMP ORDERING INFORMATION

## Flush Applications

Example: R 1 F MR AK

Product	Floor Offset Height	Application	Option	Finish
R = Ramp	.5 = 1/2" .75 = 3/4" 1 = 1" 1.25 = 1-1/4" 1.5 = 1-1/2" 1.75 = 1-3/4" 2 = 2" 2.25 = 2-1/4"	F = Flushes out to floor offset	MR = Miter Return (1 pair)	A = Aluminum (mill finish) AK = PemKote™ (skid-resistant surface)

## Offset Applications - 7" Top Plate

Example: R 1 OS MR AK

Product	Floor Offset Height	Application	Option	Finish
R = Ramp	.5 = 1/2" .75 = 3/4" 1 = 1" 1.25 = 1-1/4" 1.5 = 1-1/2" 1.75 = 1-3/4" 2 = 2"	OS = Up & over offset w/ 7" top plate	MR = Miter Return (1 pair)	A = Aluminum (mill finish) AK = PemKote™ (skid-resistant surface)

## Offset Applications - 3 1/2" Top Plate

Example: R 2 OSS MR AK

Product	Floor Offset Height	Application	Option	Finish
R = Ramp	.5 = 1/2" .75 = 3/4" 1 = 1" 1.25 = 1-1/4" 1.5 = 1-1/2" 1.75 = 1-3/4" 2 = 2"	OSS = Up & over offset w/ 3-1/2" top plate	MR = Miter Return (1 pair)	A = Aluminum (mill finish) AK = PemKote™ (skid-resistant surface)



Experience a safer and more open world

800-824-3018 | [www.pemko.com](http://www.pemko.com)  
Check the web site for the up-to-date catalog

Copyright © 2015-2025, ASSA ABLOY Accessories and Door Controls Group, Inc., an ASSA ABLOY Group company. All rights reserved. Reproduction in whole or in part without the express written permission of ASSA ABLOY Accessories and Door Controls Group, Inc. is prohibited.




# MODULAR RAMP THRESHOLD ASSEMBLIES

- Assemblies accommodate 1/2" to 2 1/4" floor offsets in meeting the 1:12 slope requirements of the "Americans with Disabilities Act". Even higher offsets can be accommodated by using the risers, **RAMP13\_** and **RAMP14\_**
- "MR" in a product number denotes that one-pair of miter returns (and extenders, if applicable) is included. Otherwise, we recommend filling and feathering the threshold ends with grout. Do not leave threshold ends open
- Miter Returns are available for offsets up to 2 1/4"

- Assemblies are supplied with #10 stainless steel wood screws. Stainless steel machine screws and expansion shields are available at an extra cost
- Assemblies allow for custom fabrication; please consult Pemko Customer Service
- Assemblies are provided NET length
- Miter returns will add 2 pieces to total components; miter returns with extenders will add 4 pieces to total components

## Flush Applications

PemKote™ is highly recommended for all threshold assemblies, especially exterior conditions where moisture may be present.  Only with PemKote™ Non-Slip Coating

### 1/2" Floor Offset



R.5F\_ AVAILABLE FINISHES: **10BE, A, AK, BSP, WSP**  
 R.5FMR\_ \*\* ASSEMBLY LENGTH: 6 1/8"  
 # OF COMPONENTS: 1



### 3/4" Floor Offset



R.75F\_ AVAILABLE FINISHES: **10BE, A, AK, BSP, WSP**  
 R.75FMR\_ \*\* ASSEMBLY LENGTH: 9 1/4"  
 # OF COMPONENTS: 2



### 1" Floor Offset



R1F\_ AVAILABLE FINISHES: **10BE, A, AK, BSP, WSP**  
 R1FMR\_ \*\* ASSEMBLY LENGTH: 12 3/8"  
 # OF COMPONENTS: 2



### 1 1/4" Floor Offset



R1.25F\_ AVAILABLE FINISHES: **10BE, A, AK, BSP, WSP**  
 R1.25FMR\_ \*\* ASSEMBLY LENGTH: 15 1/2"  
 # OF COMPONENTS: 3



### 1 1/2" Floor Offset



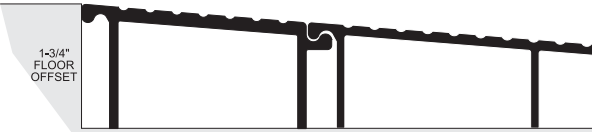
R1.5F\_ AVAILABLE FINISHES: **10BE, A, AK, BSP, WSP**  
 R1.5FMR\_ \*\* ASSEMBLY LENGTH: 18 3/8"  
 # OF COMPONENTS: 3



### 1 3/4" Floor Offset



R1.75F\_ AVAILABLE FINISHES: **10BE, A, AK, BSP, WSP**  
 R1.75FMR\_ \*\* ASSEMBLY LENGTH: 21 3/4"  
 # OF COMPONENTS: 4



### 2" Floor Offset



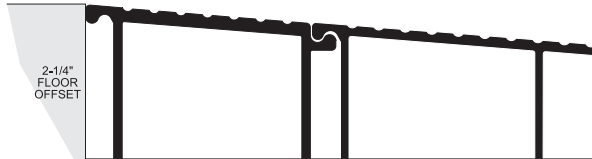
R2F\_ AVAILABLE FINISHES: **10BE, A, AK, BSP, WSP**  
 R2FMR\_ \*\* ASSEMBLY LENGTH: 24 7/8"  
 # OF COMPONENTS: 4



### 2 1/4" Floor Offset



R2.25F\_ AVAILABLE FINISHES: **10BE, A, AK, BSP, WSP**  
 R2.25FMR\_ \*\* ASSEMBLY LENGTH: 28"  
 # OF COMPONENTS: 5



Complete assembly drawings available online  
 NOTE: Greater offset may be accomplished by using Pemko risers.  
 \*\*Miter Returns are not ADA Compliant

AVAILABLE FINISHES FOR PRODUCTS SHOWN ON THIS PAGE  
**10BE** (Satin Bronze Powder Coated Aluminum) **A** (Mill Finish Aluminum) **AK** (Mill Finish Aluminum with PemKote™ Non-Slip Coating) **BSP** (Black Suede Powder Coated Aluminum) **WSP** (White Suede Powder Coated Aluminum)  
 800-824-3018 | www.pemko.com

Check the web site for the up-to-date catalog

Copyright © 2015-2025, ASSA ABLOY Accessories and Door Controls Group, Inc., an ASSA ABLOY Group company. All rights reserved. Reproduction in whole or in part without the express written permission of ASSA ABLOY Accessories and Door Controls Group, Inc. is prohibited.

**PEMKO**  
**ASSA ABLOY**

Experience a safer  
 and more open world

# OFFSET APPLICATIONS (7" TOP PLATE)

## 1/2" Floor Offset



R.50S\_  
R.50SMR\_ \*\*  
AVAILABLE FINISHES: **10BE, A, AK, BSP, WSP**  
ASSEMBLY LENGTH\*: 16 1/4"  
# OF COMPONENTS: 3



## 3/4" Floor Offset



R.750S\_  
R.750SMR\_ \*\*  
AVAILABLE FINISHES: **10BE, A, AK, BSP, WSP**  
ASSEMBLY LENGTH\*: 19 3/8"  
# OF COMPONENTS: 3



## 1" Floor Offset



R10S\_  
R10SMR\_ \*\*  
AVAILABLE FINISHES: **10BE, A, AK, BSP, WSP**  
ASSEMBLY LENGTH\*: 22 1/2"  
# OF COMPONENTS: 4



## 1 1/4" Floor Offset



R1.250S\_  
R1.250SMR\_ \*\*  
AVAILABLE FINISHES: **10BE, A, AK, BSP, WSP**  
ASSEMBLY LENGTH\*: 25 5/8"  
# OF COMPONENTS: 4



## 1 1/2" Floor Offset



R1.50S\_  
R1.50SMR\_ \*\*  
AVAILABLE FINISHES: **10BE, A, AK, BSP, WSP**  
ASSEMBLY LENGTH\*: 28 3/4"  
# OF COMPONENTS: 5



## 1 3/4" Floor Offset



R1.750S\_  
R1.750SMR\_ \*\*  
AVAILABLE FINISHES: **10BE, A, AK, BSP, WSP**  
ASSEMBLY LENGTH\*: 31 7/8"  
# OF COMPONENTS: 5



## 2" Floor Offset



R20S\_  
R20SMR\_ \*\*  
AVAILABLE FINISHES: **10BE, A, AK, BSP, WSP**  
ASSEMBLY LENGTH\*: 35"  
# OF COMPONENTS: 6



Complete assembly drawings available online.

NOTE: Greater offset may be accomplished by using Pemko risers.

\*Assembly length includes 7" top plate  
\*\*Miter Returns are not ADA Compliant



Assembly Shown: **R.50S**



AVAILABLE FINISHES FOR PRODUCTS SHOWN ON THIS PAGE  
**10BE** (Satin Bronze Powder Coated Aluminum) **A** (Mill Finish Aluminum) **AK** (Mill Finish Aluminum with PemKote™ Non-Slip Coating) **BSP** (Black Suede Powder Coated Aluminum) **WSP** (White Suede Powder Coated Aluminum)

800-824-3018 | www.pemko.com  
Check the web site for the up-to-date catalog

# SHORT OFFSET APPLICATIONS (3 1/2" TOP PLATE)

## 1/2" Floor Offset

R.5OSS\_  
R.5OSSMR\_ \*\*



AVAILABLE FINISHES: **10BE, A, AK, BSP, WSP**  
ASSEMBLY LENGTH\*: 12 3/4"  
# OF COMPONENTS: 3



## 3/4" Floor Offset

R.75OSS\_  
R.75OSSMR\_ \*\*



AVAILABLE FINISHES: **10BE, A, AK, BSP, WSP**  
ASSEMBLY LENGTH\*: 15 7/8"  
# OF COMPONENTS: 3



## 1" Floor Offset

R1OSS\_  
R1OSSMR\_ \*\*



AVAILABLE FINISHES: **10BE, A, AK, BSP, WSP**  
ASSEMBLY LENGTH\*: 19"  
# OF COMPONENTS: 4



## 1 1/4" Floor Offset

R1.25OSS\_  
R1.25OSSMR\_ \*\*



AVAILABLE FINISHES: **10BE, A, AK, BSP, WSP**  
ASSEMBLY LENGTH\*: 22 1/8"  
# OF COMPONENTS: 4



## 1 1/2" Floor Offset

R1.5OSS\_  
R1.5OSSMR\_ \*\*



AVAILABLE FINISHES: **10BE, A, AK, BSP, WSP**  
ASSEMBLY LENGTH\*: 25 1/4"  
# OF COMPONENTS: 5



## 1 3/4" Floor Offset

R1.75OSS\_  
R1.75OSSMR\_ \*\*



AVAILABLE FINISHES: **10BE, A, AK, BSP, WSP**  
ASSEMBLY LENGTH\*: 28 3/8"  
# OF COMPONENTS: 5



## 2" Floor Offset

R2OSS\_  
R2OSSMR\_ \*\*



AVAILABLE FINISHES: **10BE, A, AK, BSP, WSP**  
ASSEMBLY LENGTH\*: 31 1/2"  
# OF COMPONENTS: 6



Complete assembly drawings available online.

NOTE: Greater offset may be accomplished by using Pemko risers.

\*Assembly length includes 3 1/2" top plate

\*\*Miter Returns are not ADA Compliant



Assembly Shown: **R.75OSS**

### AVAILABLE FINISHES FOR PRODUCTS SHOWN ON THIS PAGE

**10BE** (Satin Bronze Powder Coated Aluminum) **A** (Mill Finish Aluminum)

**AK** (Mill Finish Aluminum with PemKote™ Non-Slip Coating) **BSP** (Black Suede Powder Coated Aluminum)

**WSP** (White Suede Powder Coated Aluminum)

800-824-3018 | www.pemko.com




Check the web site for the up-to-date catalog

Copyright © 2015-2025, ASSA ABLOY Accessories and Door Controls Group, Inc., an ASSA ABLOY Group company. All rights reserved. Reproduction in whole or in part without the express written permission of ASSA ABLOY Accessories and Door Controls Group, Inc. is prohibited.

**PEMKO**  
**ASSA ABLOY**

Experience a safer  
and more open world

# MODULAR RAMP THRESHOLD COMPONENTS

- Components are generally sold as part of assemblies
- Ramp Assemblies consist of interlocking components, eliminating the need to weld joints. Interlocking ball-joint design allows each component to flex and conform to uneven surfaces
- All assemblies carry the following labels:   

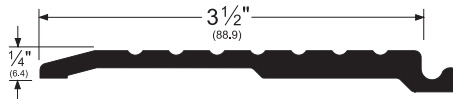
- PemKote™ is highly recommended for all threshold assemblies, especially exterior conditions where moisture may be present

NOTE: The following pages are for component identification only. Do not order from these pages. Order only complete assemblies from pages 140 to 142

## TOP PLATES

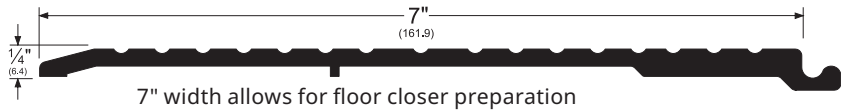
### RAMP8\_

Short top plate  
AVAILABLE FINISHES: **10BE, A, AK, BSP, WSP**

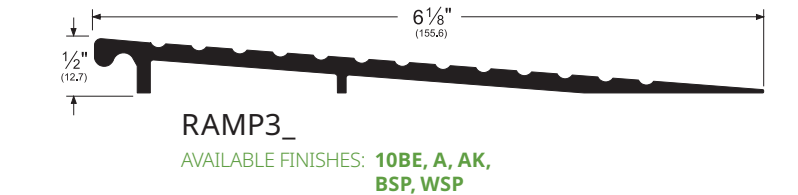
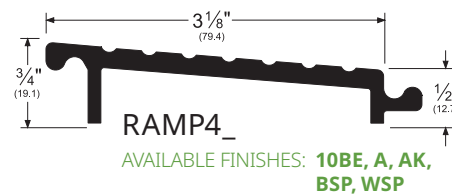
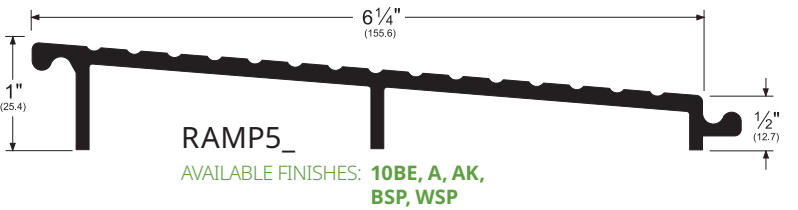
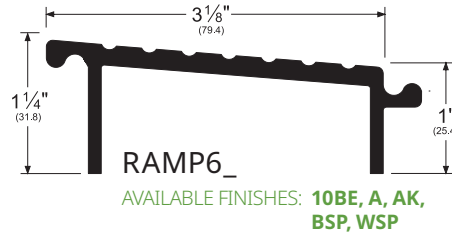
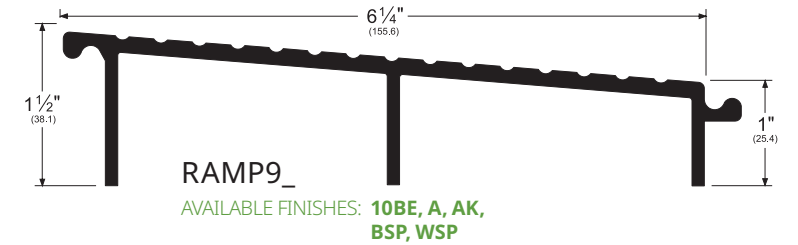
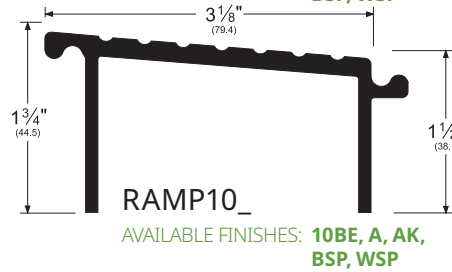
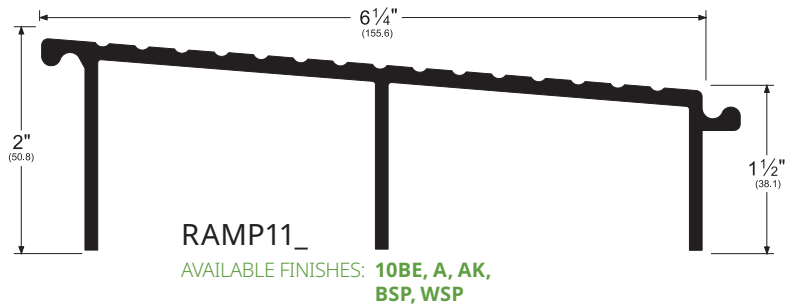
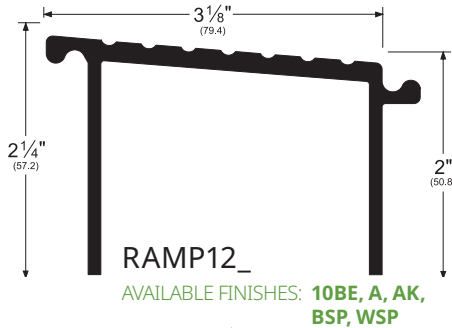


### RAMP1\_

Top plate  
AVAILABLE FINISHES: **10BE, A, AK, BSP, WSP**



## BRIDGES



NOTE: Products shown in this section are not drawn to scale.

AVAILABLE FINISHES FOR PRODUCTS SHOWN ON THIS PAGE

**10BE** (Satin Bronze Powder Coated Aluminum) **A** (Mill Finish Aluminum) **AK** (Mill Finish Aluminum with PemKote™ Non-Slip Coating) **BSP** (Black Suede Powder Coated Aluminum) **WSP** (White Suede Powder Coated Aluminum)



Experience a safer and more open world

800-824-3018 | www.pemko.com  
Check the web site for the up-to-date catalog

Copyright © 2015-2025, ASSA ABLOY Accessories and Door Controls Group, Inc., an ASSA ABLOY Group company. All rights reserved. Reproduction in whole or in part without the express written permission of ASSA ABLOY Accessories and Door Controls Group, Inc. is prohibited.

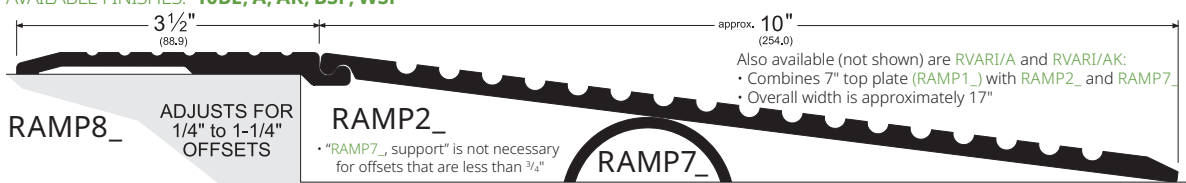
## MODULAR RAMP THRESHOLD ASSEMBLIES - VARIABLES

- Use a "Variable" component to accommodate offsets from 1/2" to 1 1/4". These meet the 1:8 maximum slope allowance (ADA) for existing buildings. For new construction, this assembly is only ADA compliant in certain applications as outlined by the current ADA standard
- May require a variance from some state building codes, even though ADA compliant
- Ideal for use in cross traffic corridors where a minimal ramp projection may be required and a steeper slope may be allowed. Supplied with #10 stainless steel sheet metal screws. Stainless steel machine screws and expansion shields are available at an extra cost
- Miter returns are not available due to the variable angle of this ramp. Please fill and feather the threshold ends. Do not leave threshold ends open
- This variable ramp is supplied un-drilled from Pemko. Due to the variance in the angle, it must be drilled in the field. For proper installation, it requires the **RAMP7\_** to be placed under **RAMP2\_** after the assembly is in place, then must be match drilled and anchored through both components
- PemKote™ is highly recommended for all ramp threshold assemblies especially exterior conditions where moisture may be present
- In addition to ADA compliance, outlined previously, all assemblies carry the following labels:



### RVARIOSS\_

AVAILABLE FINISHES: **10BE, A, AK, BSP, WSP**

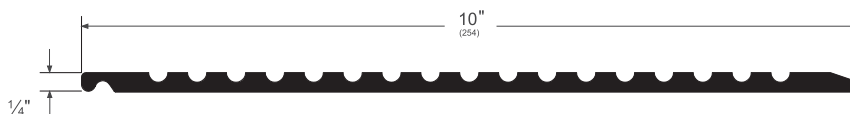


## VARIABLE RAMP COMPONENTS

### RAMP2\_

variable

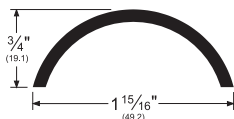
AVAILABLE FINISHES: **10BE, A, AK, BSP, WSP**



### RAMP7\_

support for variable

AVAILABLE FINISHES: **A**

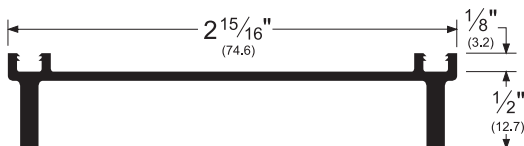


## RISERS FOR MODULAR RAMPS

- Risers easily attach to the legs of Pemko's Modular Ramp Systems. Each adds 1/2" in height to accommodate offsets greater than 2 1/4"
- Contact Pemko Customer Service for information on stacking risers to reach desired height

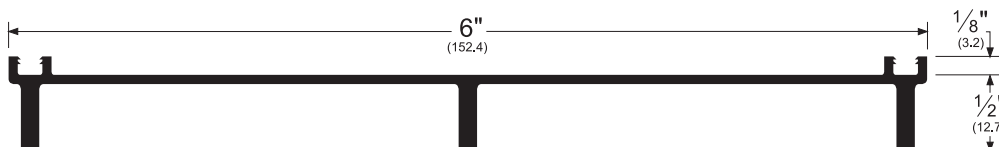
### RAMP13\_

AVAILABLE FINISHES: **A**



### RAMP14\_

AVAILABLE FINISHES: **A**



NOTE: Products shown in this section are not drawn to scale.

AVAILABLE FINISHES FOR PRODUCTS SHOWN ON THIS PAGE

**10BE** (Satin Bronze Powder Coated Aluminum) **A** (Mill Finish Aluminum) **AK** (Mill Finish Aluminum with PemKote™ Non-Slip Coating) **BSP** (Black Suede Powder Coated Aluminum) **WSP** (White Suede Powder Coated Aluminum)

800-824-3018 | www.pemko.com

Check the web site for the up-to-date catalog

Copyright © 2015-2025, ASSA ABLOY Accessories and Door Controls Group, Inc., an ASSA ABLOY Group company. All rights reserved. Reproduction in whole or in part without the express written permission of ASSA ABLOY Accessories and Door Controls Group, Inc. is prohibited.



Experience a safer and more open world

# MITER RETURNS FOR ALL MODULAR RAMP THRESHOLDS

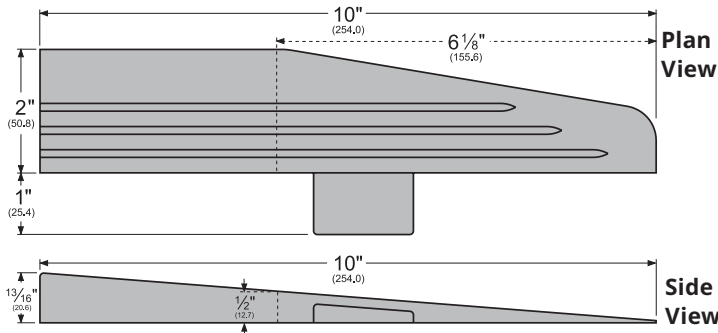
- Cast aluminum “wings” fit into end of modular ramp threshold assembly and are fastened to ramp mid sections with self-tapping machine screws
- Neat, compact, and tight-fitting design replaces former mitering methods
- Miter Returns are match-drilled with each assembly
- Miter Returns are not “ADA” compliant
- Miter Returns are handed from the low end and are determined by which side of the ramp it fits into



## WING10\_H\_

AVAILABLE FINISHES: **A, AK**

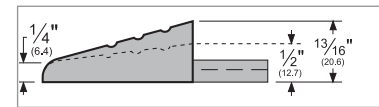
- WING10 can be trimmed to fit ramp assembly (dotted lines show cut down for use with R.5FMR\_)



## WING10RH\_

(right-hand shown)

**End View**

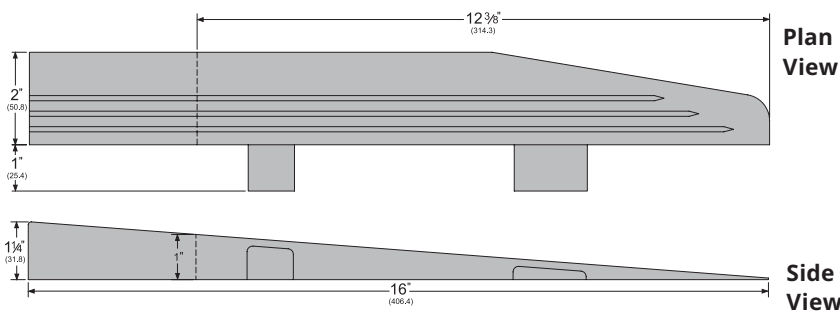


View from high-end

## WING16\_H\_

AVAILABLE FINISHES: **A, AK**

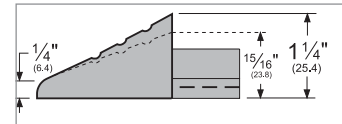
- WING16 can be trimmed to fit ramp assembly (dotted lines show cut down for use with R1FMR\_)



## WING16RH\_

(right-hand shown)

**End View**

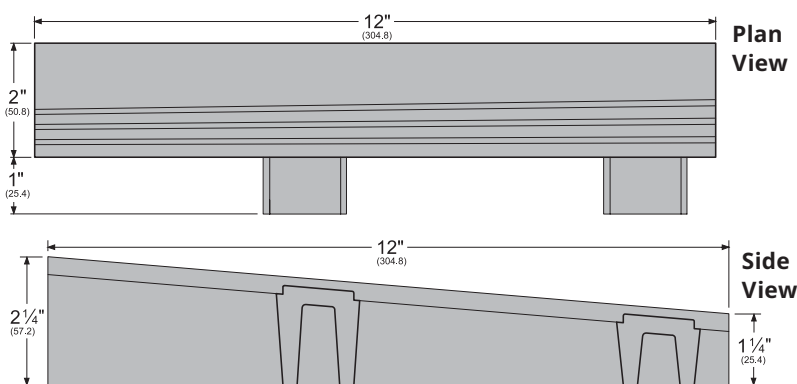


View from high-end

## WINGEXT\_H\_

AVAILABLE FINISHES: **A, AK**

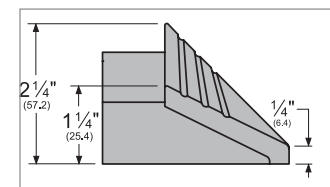
- WINGEXT are included with assemblies to completely fill ends for 2" offset or 2 1/4" flush conditions
- WINGEXT works in conjunction with WING16 for these higher offset conditions



## WINGEXTRH\_

(right-hand shown)

**End View**



View from high-end

See flyer on the Literature page of [www.assaabloydooraccessories.us](http://www.assaabloydooraccessories.us) for WING cut-down chart.



Experience a safer and more open world

AVAILABLE FINISHES FOR PRODUCTS SHOWN ON THIS PAGE

**A** (Mill Finish Aluminum) **AK** (Mill Finish Aluminum with PemKote™ Non-Slip Coating)

800-824-3018 | [www.pemko.com](http://www.pemko.com)

Check the web site for the up-to-date catalog

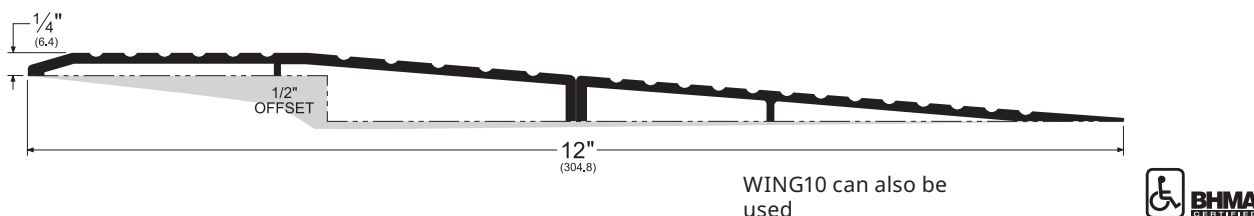
Copyright © 2015-2025, ASSA ABLOY Accessories and Door Controls Group, Inc., an ASSA ABLOY Group company. All rights reserved. Reproduction in whole or in part without the express written permission of ASSA ABLOY Accessories and Door Controls Group, Inc. is prohibited.

## BARRIER-FREE RAMP THRESHOLDS

- The modular ramp thresholds are an improvement over the **257/259** however, **257/259** will remain available for special requirements
- Use **257\_** and **259\_** together, or use **257\_** with an abutted 1:12 concrete slope
- When used as a cover plate assembly (see Commercial Thresholds section), a longer spindle may be required
- Ramps on this page are not ADA compliant when used at a door opening
- The **257\_** is not ADA compliant when used alone.
- PemKote™ is highly recommended for all threshold assemblies, especially exterior conditions where moisture may be present

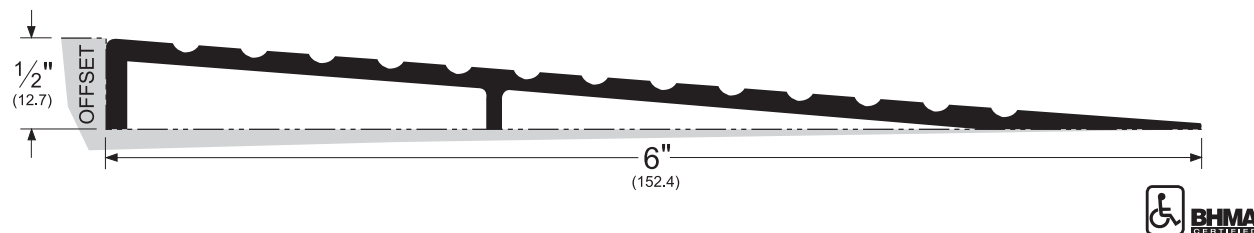
### 257x259\_

AVAILABLE FINISHES: **10BE, A, AK, BSP, WSP**



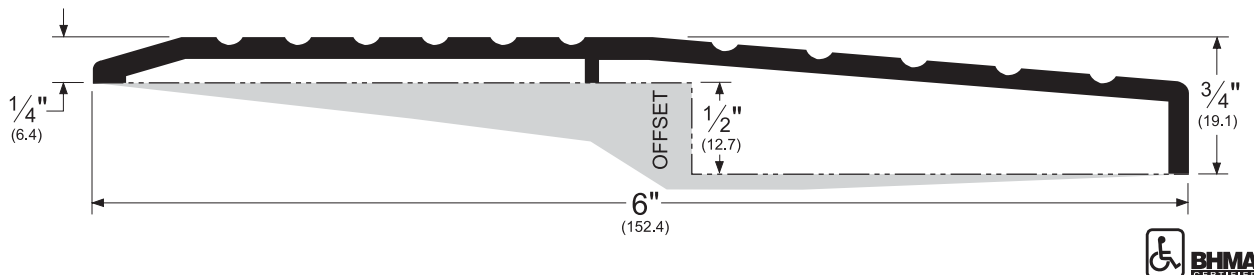
### 259\_

AVAILABLE FINISHES: **10BE, A, AK, BSP, WSP**



### 257\_

AVAILABLE FINISHES: **10BE, A, AK, BSP, WSP**



NOTE: Products shown in this section are not drawn to scale.

AVAILABLE FINISHES FOR PRODUCTS SHOWN ON THIS PAGE

**10BE** (Satin Bronze Powder Coated Aluminum) **A** (Mill Finish Aluminum)

**AK** (Mill Finish Aluminum with PemKote™ Non-Slip Coating) **BSP** (Black Suede Powder Coated Aluminum)

**WSP** (White Suede Powder Coated Aluminum)

800-824-3018 | [www.pemko.com](http://www.pemko.com)

Check the web site for the up-to-date catalog

Copyright © 2015-2025, ASSA ABLOY Accessories and Door Controls Group, Inc., an ASSA ABLOY Group company. All rights reserved. Reproduction in whole or in part without the express written permission of ASSA ABLOY Accessories and Door Controls Group, Inc. is prohibited.

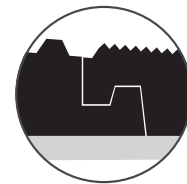
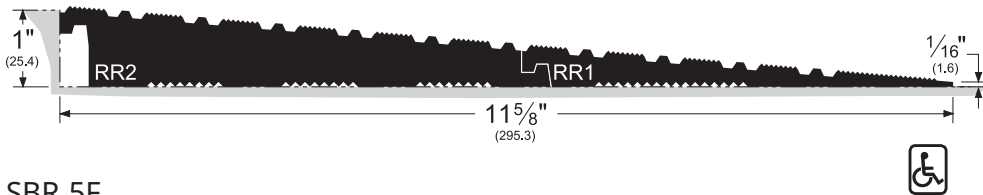
**PEMKO**  
**ASSA ABLOY**

Experience a safer  
and more open world

# FIRE RETARDANT AND STYRENE BUTADIENE RUBBER RAMP THRESHOLDS

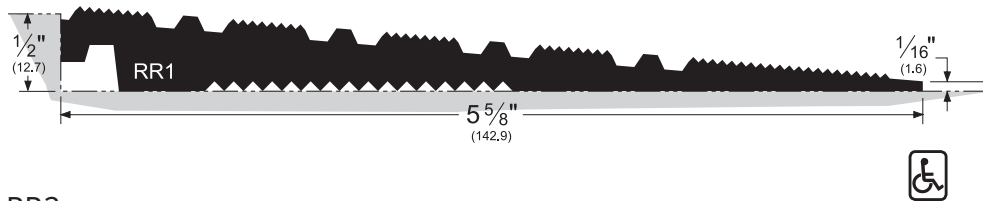
- Rubber ramps meet the requirements of **ADAAG-2010; IBC/ANSI A117.1; and California Title 24, Part 2**
- Styrene butadiene rubber ramps are weather, ozone, abrasion, and impact resistant; long-lasting and fire retardant
- Rubber ramps are sold in one foot increments up to 15-foot lengths
- Rubber ramps can be butted together for longer lengths
- Rubber ramps are cut square on each end but are available with molded rubber miter returns. To receive a pair of miter returns, add **"MR"** to the part number (example: **SBR.5FMR**)
- Rubber ramps have a superior grip, anti-slip surface and a **"no bump"** tapered lead edge. Rubber ramps are classified by Underwriters Laboratories, Inc.,<sup>®</sup> as a skid-resistant floor surface per **UL standard for safety, UL410**. Rubber ramps also meet the requirements of **ASTM D 2047** and **Federal Specification P-F-430C**
- Rubber ramps are easy to install on most surfaces by using a construction adhesive. Mechanical fasteners are not required and not recommended
- Rubber ramps are also portable. For temporary applications, an assembly stays in place by its sheer weight and can be removed from one opening and placed at another opening
- Use an adhesive (caulk) suitable for use with plastics and your flooring material for proper installation and adhesion
- Rubber ramps are available for 1/2" and 1" offset heights
- Rubber ramps can be cross-cut to length or ripped to a custom offset height using a table or radial arm saw with a carbide-tipped blade. These modifications must be made in the field

SBR1F  
SBR1FMR \*\*

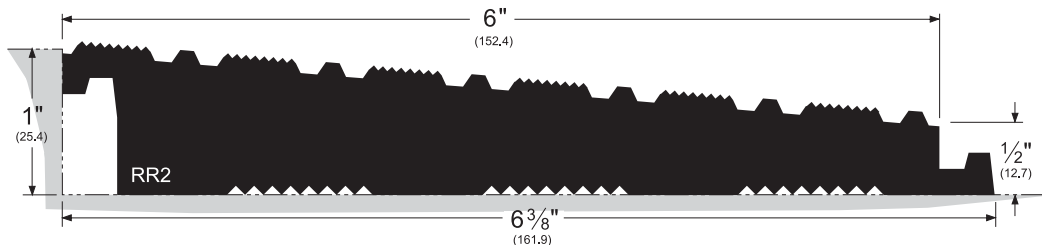


Assembly consists of two inter-locking components.

SBR.5F  
SBR.5FMR \*\*  
RR1



RR2



This component (RR2) is not ADA compliant when used by itself.

NOTE: Products shown in this section are not drawn to scale.

\*\* = Miter Returns are not ADA compliant



Experience a safer and more open world

800-824-3018 | [www.pemko.com](http://www.pemko.com)  
Check the web site for the up-to-date catalog

Copyright © 2015-2025, ASSA ABLOY Accessories and Door Controls Group, Inc., an ASSA ABLOY Group company. All rights reserved. Reproduction in whole or in part without the express written permission of ASSA ABLOY Accessories and Door Controls Group, Inc. is prohibited.



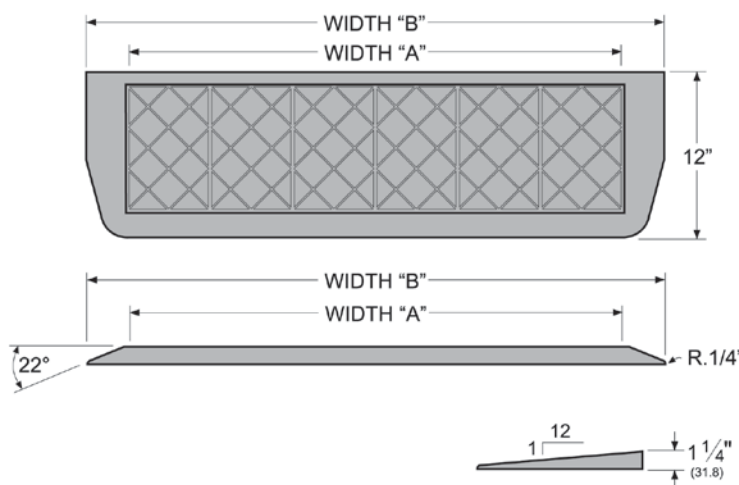
# RECYCLED RUBBER RAMP ASSEMBLY

- ADA Compliant, based on application
- Meets: **UL410, ASTM D2047, Federal Specification P-F-430C**
- Recycled Rubber Ramp Assemblies meet **IBC/ANSI A117.1-2013**
- Made from #20 mesh minus crumb rubber (with urethane binders) reclaimed from 100% recycled rubber automotive tires
- Use an adhesive (caulk) suitable for use with plastics and your flooring material for proper installation and adhesion. Avoid Liquid Nails with Rubber Ramps
- Using ordinary tools, trim to fit your application
- Can be ripped for offsets less than 1 1/4"
- Plane bottom surface of ramp to accommodate irregular surface conditions
- Miter returns are molded into the design of the Recycled Rubber Ramp
- 36" and 60" ramps are supplied as one (1) piece assemblies
- 48" and 72" ramps are supplied as two (2) piece assemblies
- Dimensions are nominal and can vary by as much as one inch. This is acceptable as long as the two halves match

## Ordering Chart

Other sizes are available, please contact Pemko Customer Service.

PART #	WIDTH "A" (door opening)	WIDTH "B" (total width)
RR1.25FMR36	36"	41"
RR1.25FMR48	48"	53"
RR1.25FMR60	60"	65"
RR1.25FMR72	72"	77"
RR1.25FMR96	96"	101"

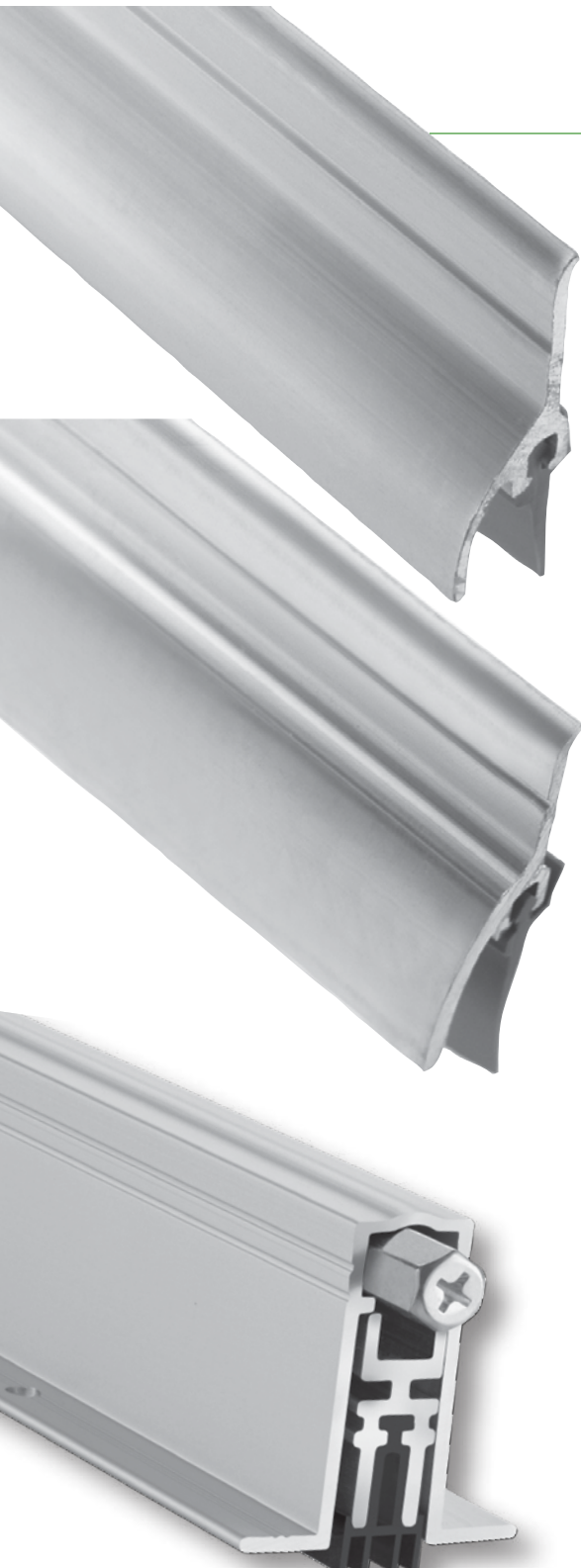




Experience a safer  
and more open world

800-824-3018 | [www.pemko.com](http://www.pemko.com)  
Check the web site for the up-to-date catalog

Copyright © 2015-2025, ASSA ABLOY Accessories and Door Controls Group, Inc., an ASSA ABLOY Group company. All rights reserved.  
Reproduction in whole or in part without the express written permission of ASSA ABLOY Accessories and Door Controls Group, Inc. is prohibited.



# PEMKO DOOR BOTTOMS

## CONTENTS:

Automatic Door Bottoms .....	132
Residential Automatic Door Bottoms .....	136
End Plates for Automatic Door Bottoms.....	137
Excessive Gap Door Bottom Solutions.....	138
Excessive Gap Door Top Solutions.....	138
Eco-V™ Door Shoes.....	138
Door Shoes.....	139
Thermally Broken Door Shoe.....	141
Door Sweeps for Hollow Metal Doors.....	142
Fabrication Options for Door Shoes.....	142
Door Bottom Sweeps.....	143
Stainless Steel Door Bottom Sweeps.....	147
Specialty Door Bottoms.....	148
Door Top Weatherstrip.....	148

## INDEX:

PRODUCT	PAGE	PRODUCT	PAGE	PRODUCT	PAGE
56.....	144	345.....	145	18137.....	145
57.....	144	346.....	148	90062.....	145
68.....	148	347.....	148	90100.....	145
209.....	139	368.....	143	90100_NBE.....	146
210.....	139	405.....	136	293100_NB.....	145
211.....	139	411.....	135	293100_NBE.....	146
215.....	139	412.....	134	293100_V.....	146
216.....	139	420.....	135	EGA305xG.....	138
216_FG.....	141	434.....	135	EV80.....	138
217.....	139	2113.....	140	K411.....	137
221.....	141	2170.....	138	K412.....	137
222.....	142	2173.....	140	K420.....	137
223.....	140	2211.....	141	K435.....	137
234.....	139	2212.....	141	K435-PREM.....	137
307.....	144	2221.....	142	K436.....	137
308.....	144	2343.....	140	K436SM.....	137
313.....	148	3151.....	143	K4133.....	137
314.....	148	3151SS.....	147	K4301.....	137
315.....	143	3452.....	144	SA1.....	136
315SS.....	147	3452.....	145	SA2.....	136
317.....	148	3692.....	140	SA3.....	136
321.....	143	4131.....	134	SA4.....	136
321SS.....	147	4301.....	134	STC411.....	133
325XGSS.....	138	18061.....	145	STC4131.....	133
344.....	148	18100.....	145	XG2212.....	138
345.....	144	18100_NBE.....	146		

800-824-3018 | [www.pemko.com](http://www.pemko.com)  
 Check the web site for the up-to-date catalog

Copyright © 2015-2025, ASSA ABLOY Accessories and Door Controls Group, Inc., an ASSA ABLOY Group company. All rights reserved.  
 Reproduction in whole or in part without the express written permission of ASSA ABLOY Accessories and Door Controls Group, Inc. is prohibited.

**PEMKO**  
**ASSA ABLOY**

Experience a safer  
 and more open world

## AUTOMATIC DOOR BOTTOMS

- All Pemko Automatic Door Bottoms, 24" and up, can be manufactured for field alteration. Please specify when ordering: Allow 2" for field trimming
- Overall sizes range from 12" to 72". Sizes between 12" and 23.9" will be supplied at absolute NET length and will have no room for field trimming.
- 0.0625" Lead-lining available upon request; contact Pemko Customer Service for options on profiles
- Provided with end plate kits (except 420, SA, and 405V models) which include wood screws. Tek screws are available for mounting to hollow metal doors.
- See Planet Automatic Door Bottoms for additional models made by ASSA ABLOY Schweisse and offered in the U.S.A. by Pemko.

## IMPORTANT DROP BAR INFORMATION

Drop seals of all types are designed to close a uniform size gap. Pemko drop seals can seal up to  $\frac{3}{4}$ " gaps (420 model can seal up to  $\frac{1}{2}$ " gap), provided the gap is consistent. Gaps that start at less than  $\frac{3}{4}$ " and then grow cannot be closed. The drop seal utilizes a straight aluminum extrusion so it cannot close an inconsistent gap. Plunger extension to drop dimension is 1:1 (i.e., a  $\frac{1}{4}$ " extension on the plunger will equal a  $\frac{1}{4}$ " drop of the drop bar).

## DROP-BAR SEAL ACTUATION

The drop bar mechanism prevents the seal from skidding along the floor/threshold while the door is being closed.



**PEMKO**  
**ASSA ABLOY**

Experience a safer  
and more open world

800-824-3018 | [www.pemko.com](http://www.pemko.com)  
Check the web site for the up-to-date catalog

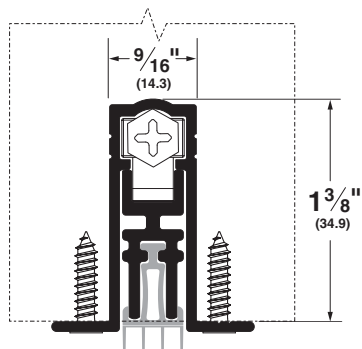
Copyright © 2015-2025, ASSA ABLOY Accessories and Door Controls Group, Inc., an ASSA ABLOY Group company. All rights reserved. Reproduction in whole or in part without the express written permission of ASSA ABLOY Accessories and Door Controls Group, Inc. is prohibited.

## AUTOMATIC DOOR BOTTOMS - ACOUSTIC

- Non-handed
- Recommended gap under door is  $\frac{3}{8}$ " for optimal acoustic performance; max drop is  $\frac{3}{4}$ "
- Internal mechanism allows bar to accommodate slight imperfections in floor materials
- STC411 end plate kit is K435; for doors narrower than 1- $\frac{3}{4}$ ", specify end plate kit K411
- STC4131 end plate kit is K4133C for Clear Anodized and K4133D for Dark Bronze Anodized

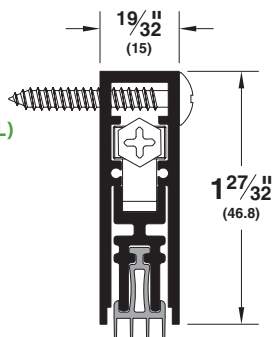
### STC411\_PK

AVAILABLE FINISHES: **A**  
 REPLACEMENT INSERT:  
**PK4111 (BL)**  
 ANSI: **R3G324, R3G325**



### STC4131\_PK

AVAILABLE FINISHES:  
**10BE, BSP, C, D, WSP**  
 REPLACEMENT INSERT: **PK4111 (BL)**  
 ANSI: **R3G334, R3G335, R3G344, R3G345**



NOTE: STC411\_PK Automatic Door Bottom is now included in PEMKOSTCSET-1 (A through E).  
 Please see Acoustic Products section for more information.

NOTE: Products shown in this section may not be drawn to scale.

AVAILABLE FINISHES FOR PRODUCTS SHOWN ON THIS PAGE

**10BE** (Satin Bronze Powder Coated Aluminum) **A** (Mill Finish Aluminum) **BSP** (Black Suede Powder Coated Aluminum)  
**C** (Clear Anodized) **D** (Dark Bronze Anodized) **WSP** (White Suede Powder Coated Aluminum)

800-824-3018 | [www.pemko.com](http://www.pemko.com)

Check the web site for the up-to-date catalog

Copyright © 2015-2025, ASSA ABLOY Accessories and Door Controls Group, Inc., an ASSA ABLOY Group company. All rights reserved.  
 Reproduction in whole or in part without the express written permission of ASSA ABLOY Accessories and Door Controls Group, Inc. is prohibited.

**PEMKO**  
**ASSA ABLOY**

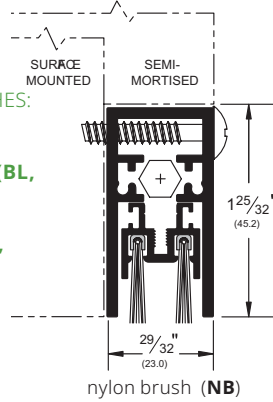
Experience a safer  
 and more open world

# AUTOMATIC DOOR BOTTOMS - SURFACE AND SEMI-MORTISE MODELS

- Specify if the Automatic Door Bottom is for a semi-mortise application so that shorter screws can be provided
- Recommended gap under door is 1/2," maximum drop is 3/4"
- 4301 end plate kit is K436 for surface mounted applications and K436SM for semi-mortised applications
- 4131 end plate kit is K4133
- 412 end plate kit is K412R1

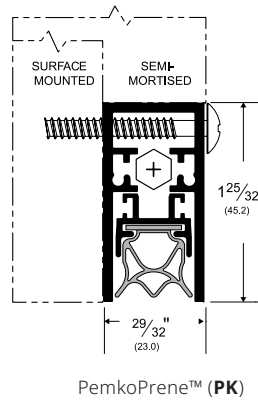
## 4301\_NBL

AVAILABLE FINISHES:  
**BSP, C, D**  
 REPLACEMENT INSERT:  
**P516062 (BL, GR, W)**  
 ANSI: **R3A334, R3A335, R3A344, R3A345**



## 4301\_PKL

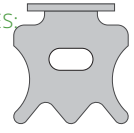
AVAILABLE FINISHES:  
**BSP, C, D**  
 REPLACEMENT INSERT:  
**PK4304 (BL)**  
 ANSI: **R3G334, R3G335, R3G344, R3G345**



### Alternate Insert For 4301

## 4301\_RL

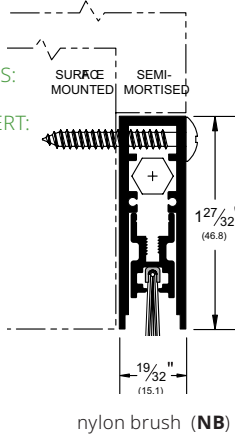
AVAILABLE FINISHES:  
**BSP, C, D**  
 REPLACEMENT INSERT:  
**E4303 (BL)**  
 ANSI: **R3G334, R3G335, R3G344, R3G345**



sponge EPDM (R)

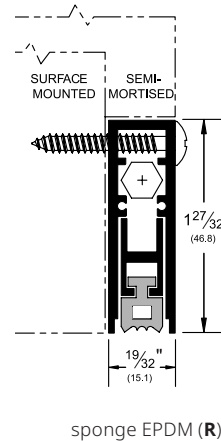
## 4131\_NBL

AVAILABLE FINISHES:  
**BSP, C, D, SN**  
 REPLACEMENT INSERT:  
**P516041 (BL, GR)**  
 ANSI: **R3A334, R3A335, R3A344, R3A345**



## 4131\_RL

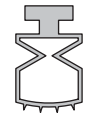
AVAILABLE FINISHES:  
**BSP, C, D, SN**  
 REPLACEMENT INSERT:  
**E7 (BL)**  
 ANSI: **R3G334, R3G335, R3G344, R3G345**



### Alternate Inserts For 4131

## 4131\_PKL

AVAILABLE FINISHES:  
**BSP, C, D, SN**  
 REPLACEMENT INSERT:  
**PK4132 (BL)**  
 ANSI: **R3G334, R3G335, R3G344, R3G345**



PemkoPrene™ (PK)

## 4131\_SL

AVAILABLE FINISHES:  
**BSP, C, D, SN**  
 REPLACEMENT INSERT:  
**SR6 (BL)**  
 ANSI: **R3E334, R3E335, R3E344, R3E345**

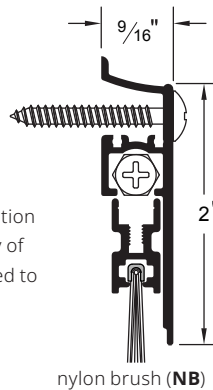


sponge silicone (S)

## 412\_NBL

AVAILABLE FINISHES:  
**B, BSP, C, D, S**  
 REPLACEMENT INSERT:  
**P516041 (BL, GR)**  
 ANSI: **R3A334, R3A335**

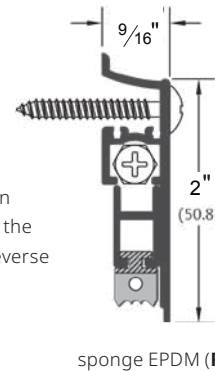
- Surface mounted application
- Handed and disassembly of the mechanism is required to reverse the hand



## 412\_RL

AVAILABLE FINISHES:  
**B, BSP, C, D, S**  
 REPLACEMENT INSERT:  
**E7 (BL)**  
 ANSI: **R3G334, R3G335**

- Surface mounted application
- Handed and disassembly of the mechanism is required to reverse the hand



### Alternate Inserts For 412

## 412\_SL

AVAILABLE FINISHES:  
**B, BSP, C, D, S**  
 REPLACEMENT INSERT:  
**SR6 (BL)**  
 ANSI: **R3E334, R3E335**



sponge silicone (S)

## 412\_PKL

AVAILABLE FINISHES:  
**B, BSP, C, D, S**  
 REPLACEMENT INSERT:  
**PK4132 (BL)**  
 ANSI: **R3G334, R3G335**



PemkoPrene™ (PK)

All above products



NOTE: Products shown in this section may not be drawn to scale.

AVAILABLE FINISHES FOR PRODUCTS SHOWN ON THIS PAGE

**B** (Cladded Brass Shell) **BSP** (Black Suede Powder Coated Aluminum) **C** (Clear Anodized)  
**D** (Dark Bronze Anodized) **S** (Cladded Stainless Steel) **SN** (Satin Nickel Anodized)

800-824-3018 | www.pemko.com

Check the web site for the up-to-date catalog

**PEMKO**  
**ASSA ABLOY**

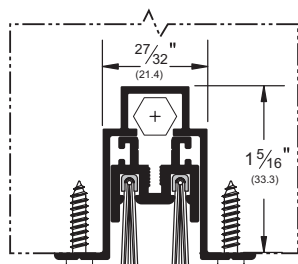
Experience a safer  
 and more open world

# AUTOMATIC DOOR BOTTOMS - FULL-MORTISE MODELS

- Recommended drop is 1/2"; maximum drop is 3/4", except where noted
- 411 and 434 end plate kit is K435. When using 411 model on doors narrower than 1 3/4", specify end plate kit K411
- 420 is used on hollow metal doors and does not come with end plates; requires a hole for the plunger to extend through in the hinge side door edge.

## 434\_NBL

AVAILABLE FINISH: **A**  
 REPLACEMENT INSERT: **P516062 (BL, GR, W)**  
 ANSI: **R3A324, R3A325**

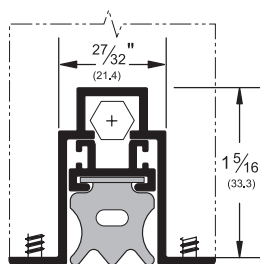


nylon brush (NB)



## 434\_RL

AVAILABLE FINISH: **A**  
 REPLACEMENT INSERT: **E4303 (BL)**  
 ANSI: **R3G324, R3G325**

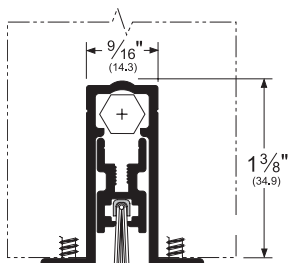


sponge EPDM (R)



## 411\_NBL

AVAILABLE FINISH: **A**  
 REPLACEMENT INSERT: **P516041 (BL, GR)**  
 ANSI: **R3A324, R3A325**

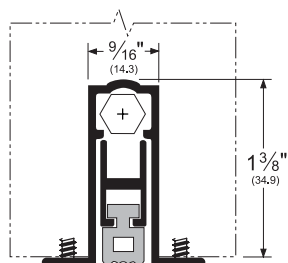


nylon brush (NB)



## 411\_RL

AVAILABLE FINISH: **A**  
 REPLACEMENT INSERT: **E7 (BL)**  
 ANSI: **R3G324, R3G325**



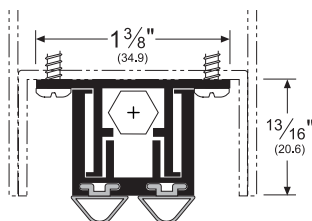
sponge EPDM (R)



## 420\_PKL

AVAILABLE FINISH: **A**  
 REPLACEMENT INSERT: **PK4 (BL, GR)**  
 ANSI: **R3G324, R3G325**

- For hollow metal doors maximum drop is 1/2"
- Recommended drop is 3/8"



PemkoPrene™ (PK)



## Alternate Inserts For 434 434\_PKL

AVAILABLE FINISH: **A**  
 REPLACEMENT INSERT: **PK4304 (BL)**  
 ANSI: **R3G324, R3G325**



PemkoPrene™ (PK)



## Alternate Inserts For 411 411\_PKL

AVAILABLE FINISH: **A**  
 REPLACEMENT INSERT: **PK4132 (BL)**  
 ANSI: **R3G324, R3G325**



PemkoPrene™ (PK)



## 411\_SL

AVAILABLE FINISHES: **A**  
 REPLACEMENT INSERT: **SR6 (BL)**  
 ANSI: **R3E324, R3E325**



sponge silicone (S)



## Alternate Inserts For 420 420\_VL

AVAILABLE FINISH: **A**  
 REPLACEMENT INSERT: **EV41 (BL, GR, W)**



Eco-V™ (V)



NOTE: Products shown in this section may not be drawn to scale.

AVAILABLE FINISHES FOR PRODUCTS SHOWN ON THIS PAGE  
**A** (Mill Finish Aluminum)

800-824-3018 | www.pemko.com

Check the web site for the up-to-date catalog

Copyright © 2015-2025, ASSA ABLOY Accessories and Door Controls Group, Inc., an ASSA ABLOY Group company. All rights reserved. Reproduction in whole or in part without the express written permission of ASSA ABLOY Accessories and Door Controls Group, Inc. is prohibited.

**PEMKO**  
**ASSA ABLOY**

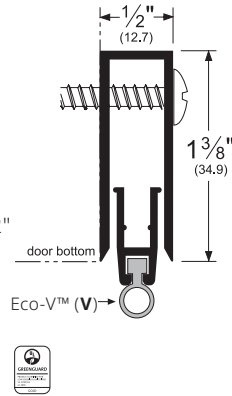
Experience a safer  
 and more open world

# RESIDENTIAL AUTOMATIC DOOR BOTTOMS

## SA1\_, SA2\_, SA3\_, SA4\_

AVAILABLE FINISHES: **A** (no finish selection), **D**  
 AVAILABLE LENGTHS: **28", 32", 36", 42"**  
 REPLACEMENT INSERT: **EV5 (BL)**

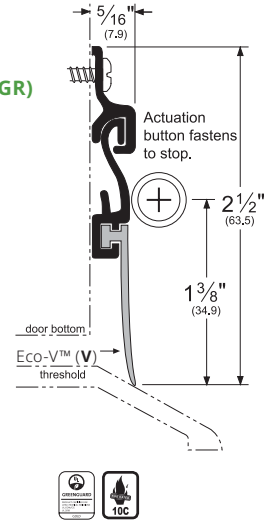
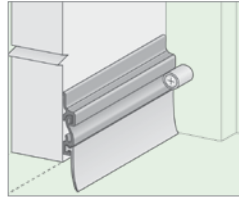
- Surface type for wood doors
- 1/2" maximum drop
- Can be trimmed down by as much as 2"
- Non-handed
- End plates are not provided



## 405\_V

AVAILABLE FINISHES: **C, D**  
 REPLACEMENT INSERT: **EV43 (BL, GR)**

- Spring loaded door bottom sweep
- Available in 36" length only
- May be cut down to 24" minimum length



NOTE: Products shown in this section may not be drawn to scale.

AVAILABLE FINISHES FOR PRODUCTS SHOWN ON THIS PAGE

**A** (Mill Finish Aluminum) **C** (Clear Anodized)  
**D** (Dark Bronze Anodized) **PW** (Painted White)



Experience a safer  
and more open world

800-824-3018 | [www.pemko.com](http://www.pemko.com)  
 Check the web site for the up-to-date catalog

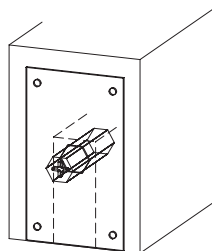
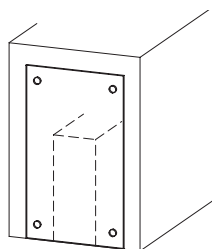
Copyright © 2015-2025, ASSA ABLOY Accessories and Door Controls Group, Inc., an ASSA ABLOY Group company. All rights reserved.  
 Reproduction in whole or in part without the express written permission of ASSA ABLOY Accessories and Door Controls Group, Inc. is prohibited.



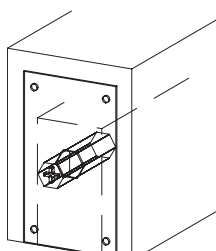
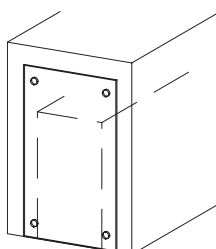
## END PLATES FOR AUTOMATIC DOOR BOTTOMS

- Metal end plates are provided to protect the mechanism and to give a clean, aesthetic appearance. Do not tighten with power tool
- Plunger end plate prevents the plunger adjustment from rotating
- Necessary fasteners are provided with End Plate kits; color corresponds with case color
- All end plates are black in color

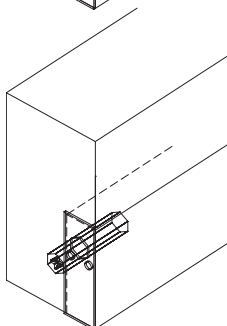
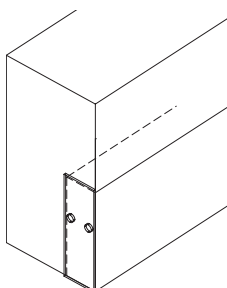
411 and STC411®  
End Plates Mortise



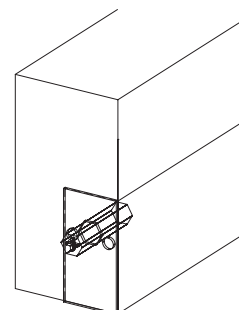
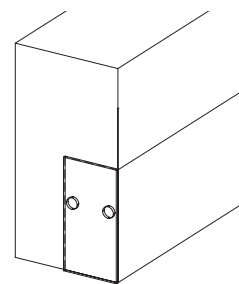
434 End Plates  
Mortise



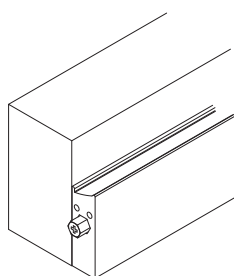
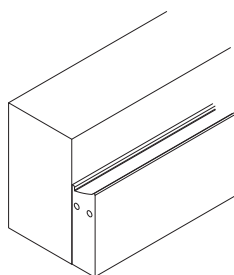
4131 and STC4131®  
Auto Door Bottom  
Semi-Mortise\*



4301 Auto  
Door Bottom  
Semi-Mortise\*



412 New Style  
End Plates



### Automatic Door Bottom Kits

K411	Optional Kit for 411 and STC411 Door Bottom, 1 3/8" Doors
K412R1C	Kit for new style 412 Door Bottom - Clear
K412R1D	Kit for new style 412 Door Bottom - Dark Bronze
K4133C	Kit for 4131, STC4131 Door Bottoms, Clear
K4133D	Kit for 4131, STC4131 Door Bottoms, Dark Bronze
K4133G	Kit for 4131 Door Bottom, Bright Dip Gold
K420	Kit for 420 Door Bottom
K435	Standard Kit for 411, 434, and STC411 Door Bottom
K436	Kit for 4301 Door Bottom (surface)
K436SM	Kit for 4301 Door Bottom (semi-mortised)
K435-PREM	Special End-Support Mounting Kit for 434 (sold separately)

800-824-3018 | [www.pemko.com](http://www.pemko.com)

Check the web site for the up-to-date catalog

Copyright © 2015-2025, ASSA ABLOY Accessories and Door Controls Group, Inc., an ASSA ABLOY Group company. All rights reserved. Reproduction in whole or in part without the express written permission of ASSA ABLOY Accessories and Door Controls Group, Inc. is prohibited.

**PEMKO**  
**ASSA ABLOY**

Experience a safer  
and more open world

## EXCESSIVE GAP DOOR BOTTOM SOLUTIONS

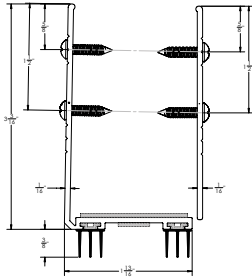
- Brings fire-rated doors with excessive bottom gaps back into spec - up to 1-1/2"
- Meets UL10C requirements for 90 minute single and pairs of doors

- Supplied net length (as ordered)
- Patent Pending
- Two rows of fasteners must be installed for double door applications (XG2212\_PK773 only)

### XG2212\_PK773

AVAILABLE FINISHES: **A, BSP, WSP, 10BE**  
REPLACEMENT INSERT: **PK773 (BL)**

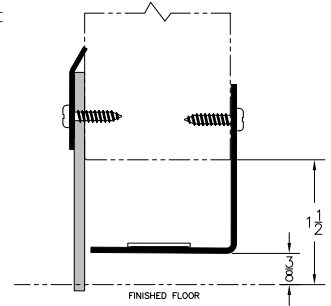
- Aluminum construction
- Easily field modifiable with standard equipment
- Supplied with K450XG end plate kit
- Patent Pending



### 325XGSSN

AVAILABLE FINISHES: **SS, SSBSP, SSWSP, SS10BE**  
REPLACEMENT INSERT: **N25 (BL)**

- Stainless steel door sweep paired with stainless steel angle
- #4 brushed stainless steel
- Supplied with K450XG end plate kit



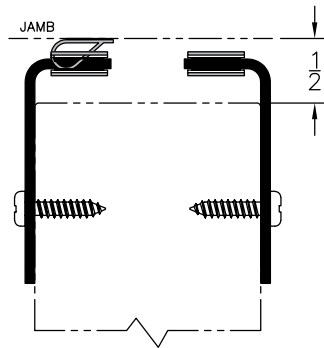
## EXCESSIVE GAP DOOR TOP SOLUTIONS

- Brings fire-rated doors with excessive top gaps back into spec - up to 1/2"
- Meets UL10C requirements for 90 minute single or pairs of fire rated doors
- Supplied net length (as ordered)

### EGA305XG\_

AVAILABLE FINISHES: **SS, SSBSP, SSWSP, SS10BE**

- Stainless steel construction, #4 brushed
- Supplied with HSS2000 intumescent
- Supplied with K450XG end plate kit



### K450XG END PLATE KIT

SUPPLIED WITH EGA305XG,  
XG2212\_PK773, AND 325XGSSN

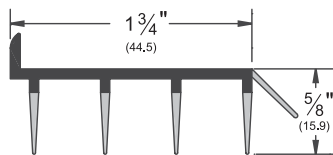


## ECO-V™ DOOR SHOES

- Dual durometer Eco-V™ door shoe
- EV80\_ is furnished net 36"
- Supplied Net Length (as ordered)

### EV80\_

AVAILABLE FINISHES: **D**  
AVAILABLE LENGTHS: **36" NET**

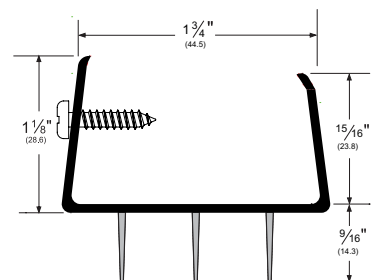


### 2170\_V

AVAILABLE COLORS: **D, W**  
AVAILABLE LENGTHS: **36", 48"**

Also available with unnotched insert:

2170\_V36UN  
2170\_V48UN



NOTE: Products shown in this section may not be drawn to scale.

AVAILABLE FINISHES FOR PRODUCTS SHOWN ON THIS PAGE

**10BE** (Satin Bronze Powder) **A** (Mill Finish Aluminum) **BSP** (Black Suede Powder)

**SS** (Stainless Steel) **WSP** (White Suede Powder)

Eco-V® DOORS SHOES: **D** (Dark Brown) **W** (White)

**PEMKO**  
**ASSA ABLOY**

Experience a safer  
and more open world

800-824-3018 | www.pemko.com

Check the web site for the up-to-date catalog

Copyright © 2015-2025, ASSA ABLOY Accessories and Door Controls Group, Inc., an ASSA ABLOY Group company. All rights reserved. Reproduction in whole or in part without the express written permission of ASSA ABLOY Accessories and Door Controls Group, Inc. is prohibited.

# DOOR SHOES

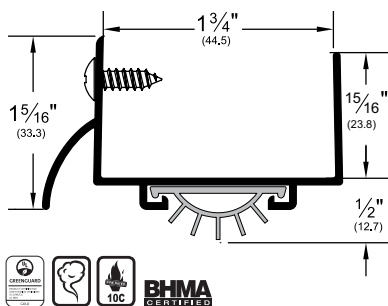
- Profiles on this page available with PemkoPrene™ (PK) or Eco-V™ (V); both are the same shape and size
- Slotted holes for easy adjustment
- Rain drip model is ideal for deflecting rain away from the bottom of door
- Recommended compression of gasket fins is 1/16"
- Except where specified otherwise, supplied with 1/4" undercut from length ordered. Specify "NET LENGTH" to receive length as ordered.

## 216\_V

AVAILABLE FINISHES: **A, B, BDG, BSP, D, SN, WSP**  
 REPLACEMENT INSERT: **EV9 (BL, GR)**  
 ANSI: **R3D514**

## 216\_PK

AVAILABLE FINISHES: **A, B, BDG, BSP, D, SN, WSP**  
 REPLACEMENT INSERT: **PK9 (BL, GR)**  
 ANSI: **R3G514**

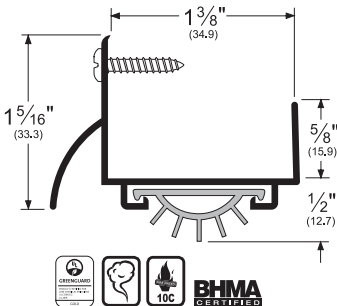


## 215\_V

AVAILABLE FINISHES: **A, BDG, BSP, D, PW, SN**  
 REPLACEMENT INSERT: **EV9 (BL, GR)**  
 ANSI: **R3D514**

## 215\_PK

AVAILABLE FINISHES: **A, BDG, BSP, D, PW, SN**  
 REPLACEMENT INSERT: **PK9 (BL, GR)**  
 ANSI: **R3G514**

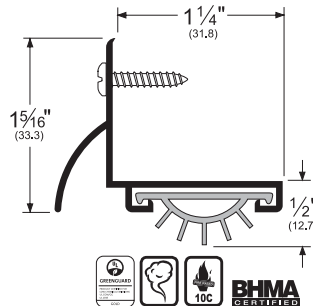


## 210\_V

AVAILABLE FINISHES: **A, BSP, D, PW, SN**  
 REPLACEMENT INSERT: **EV9 (BL, GR)**  
 ANSI: **R3D514**

## 210\_PK

AVAILABLE FINISHES: **A, BSP, D, PW, SN**  
 REPLACEMENT INSERT: **PK9 (BL, GR)**  
 ANSI: **R3G514**

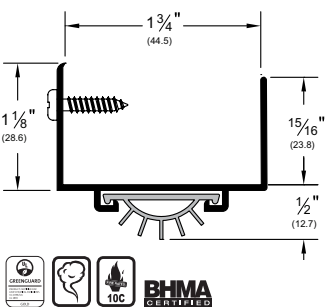


## 217\_V

AVAILABLE FINISHES: **A, BSP, D, G, SN, WSP**  
 REPLACEMENT INSERT: **EV9 (BL, GR)**  
 ANSI: **R3D414**

## 217\_PK

AVAILABLE FINISHES: **A, BSP, D, G, SN, WSP**  
 REPLACEMENT INSERT: **PK9 (BL, GR)**  
 ANSI: **R3G414**

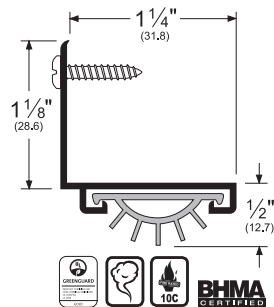


## 211\_V

AVAILABLE FINISHES: **A, BSP, D, G, WSP**  
 REPLACEMENT INSERT: **EV9 (BL, GR)**  
 ANSI: **R3D414**

## 211\_PK

AVAILABLE FINISHES: **A, BSP, D, G, WSP**  
 REPLACEMENT INSERT: **PK9 (BL, GR)**  
 ANSI: **R3G414**



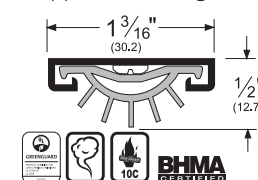
## 234\_V

AVAILABLE FINISHES: **A, BSP, D, G**  
 REPLACEMENT INSERT: **EV9 (BL, GR)**  
 ANSI: **R3D414**

## 234\_PK

AVAILABLE FINISHES: **A, BSP, D, G**  
 REPLACEMENT INSERT: **PK9 (BL, GR)**  
 ANSI: **R3G414**

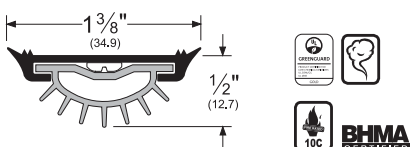
- Supplied Net Length (as ordered)



## 209\_V

AVAILABLE FINISHES: **A, BSP, D**  
 REPLACEMENT INSERT: **EV15 (BL, GR)**  
 ANSI: **R3D414**

- Supplied Net Length (as ordered)



NOTE: Products shown in this section may not be drawn to scale.

AVAILABLE FINISHES FOR PRODUCTS SHOWN ON THIS PAGE  
**A** (Mill Finish Aluminum) **BDG** (Bright Dip Gold Anodized) **BSP** (Black Suede Powder Coated Aluminum)  
**D** (Dark Bronze Anodized) **G** (Gold Anodized) **PW** (Painted White)  
**SN** (Satin Nickel Anodized) **WSP** (White Suede Powder Coated Aluminum)

800-824-3018 | www.pemko.com

Check the web site for the up-to-date catalog

Copyright © 2015-2025, ASSA ABLOY Accessories and Door Controls Group, Inc., an ASSA ABLOY Group company. All rights reserved. Reproduction in whole or in part without the express written permission of ASSA ABLOY Accessories and Door Controls Group, Inc. is prohibited.

**PEMKO**  
**ASSA ABLOY**

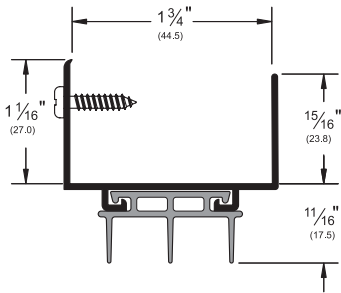
Experience a safer  
 and more open world

# DOOR SHOES (Cont.)

- Notched-fin gaskets (where applicable) allow up to 50% free air flow
- Recommended compression of gasket fins is 1/16"
- Except where noted, supplied with 1/4" undercut from length ordered. Specify "NET LENGTH" to receive length as ordered."

## 2173\_V

AVAILABLE FINISHES: **A, BSP, D, G, WSP**  
 AVAILABLE LENGTHS: **36", 48"**  
 REPLACEMENT INSERT: **EV94 (BL)**  
 ANSI: **R3D414, R3D415**



Also available with unnotched insert:

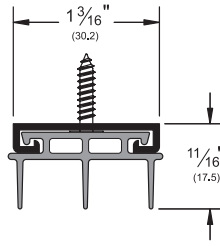
2173\_V36UN  
 2173\_V48UN



## 2343\_V

AVAILABLE FINISHES: **A, BSP, D, G**  
 AVAILABLE LENGTHS: **36", 48"**  
 REPLACEMENT INSERT: **EV94 (BL)**  
 ANSI: **R3D414, R3D415**

- Supplied Net Length (as ordered)



Also available with unnotched insert:

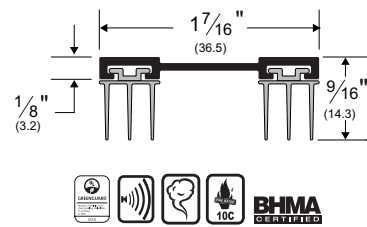
2343\_V36UN  
 2343\_V48UN



## 3692\_PK773

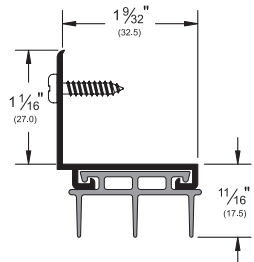
AVAILABLE FINISHES: **A**  
 AVAILABLE LENGTHS: **36", 48"**  
 REPLACEMENT INSERT: **PK773 (BL, GR)**  
 ANSI: **R3G414, R3G415**

- Supplied Net Length (as ordered)



## 2113\_V

AVAILABLE FINISHES: **A, BSP, D, G, WSP**  
 AVAILABLE LENGTHS: **36", 48"**  
 REPLACEMENT INSERT: **EV94 (BL)**  
 ANSI: **R3D414, R3D415**



Also available with unnotched insert:

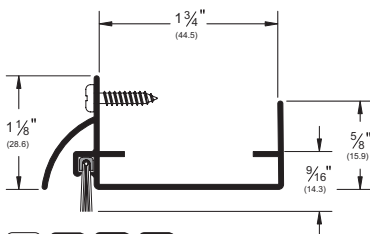
2113\_V36UN  
 2113\_V48UN



## 223\_NB

AVAILABLE FINISHES: **A, BSP, WSP**  
 REPLACEMENT INSERT: **P516041 (BL, GR)**  
 ANSI: **R3A514, R3A515**

- Supplied Net Length (as ordered)



Replacement "V" gasket for Door Shoes on this page is EV94. For replacement gasket with notched fins, add "N" to the end of the part number.

Example:  
 EV94BL-36.5 - Unnotched fins  
 EV94BL-36.5N - Notched fins (for airflow)

NOTE: Products shown in this section may not be drawn to scale.

AVAILABLE FINISHES FOR PRODUCTS SHOWN ON THIS PAGE

**A** (Mill Finish Aluminum) **BSP** (Black Suede Powder Coated Aluminum)  
**D** (Dark Bronze Anodized) **G** (Gold Anodized) **WSP** (White Suede Powder Coated Aluminum)



Experience a safer and more open world

800-824-3018 | www.pemko.com  
 Check the web site for the up-to-date catalog

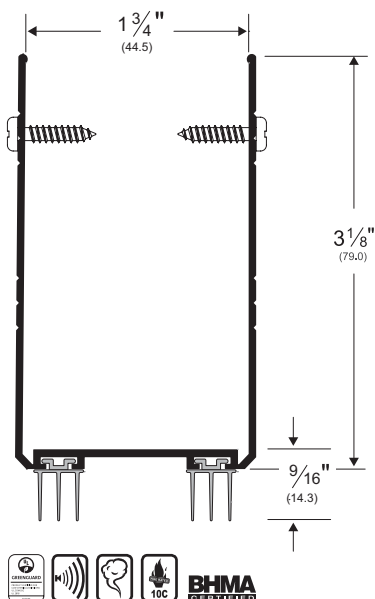
Copyright © 2015-2025, ASSA ABLOY Accessories and Door Controls Group, Inc., an ASSA ABLOY Group company. All rights reserved. Reproduction in whole or in part without the express written permission of ASSA ABLOY Accessories and Door Controls Group, Inc. is prohibited.

## DOOR SHOES (Cont.)

### 2212\_PK773

AVAILABLE FINISHES: **10BE, A, BSP, WSP**  
 REPLACEMENT INSERT: **PK773 (BL)**  
 ANSI: **R3G416**

- Combination door shoe and kick plate
- Excellent Acoustic performance
- Supplied Net Length (as ordered)



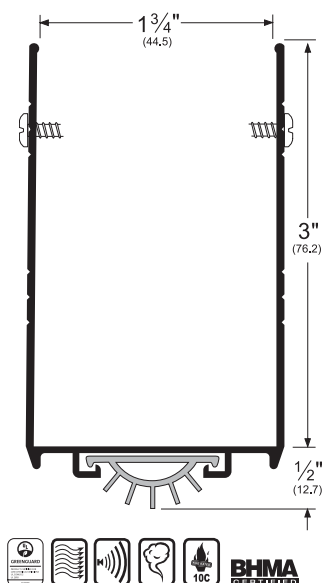
### 221\_V

AVAILABLE FINISHES: **A, BSP, D, G, WSP**  
 REPLACEMENT INSERT: **EV9 (BL, GR)**  
 ANSI: **R3D414**

### 221\_PK

AVAILABLE FINISHES: **A, BSP, D, G, WSP**  
 REPLACEMENT INSERT: **PK9 (BL, GR)**  
 ANSI: **R3G414**

- Combination door shoe and kick plate
- Supplied Net Length (as ordered)



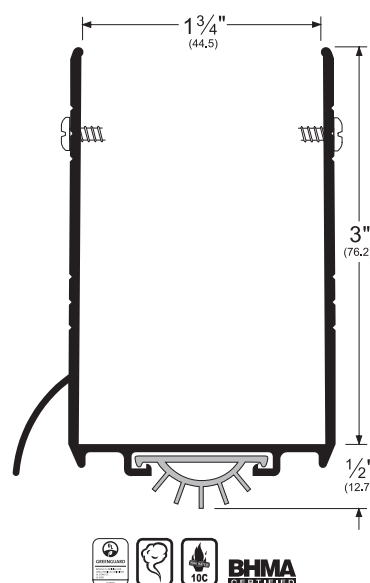
### 2211\_V

AVAILABLE FINISHES: **A, BSP, D, G, WSP**  
 REPLACEMENT INSERT: **EV9 (BL, GR)**  
 ANSI: **R3D514**

### 2211\_PK

AVAILABLE FINISHES: **A, BSP, D, G, WSP**  
 REPLACEMENT INSERT: **PK9 (BL, GR)**  
 ANSI: **R3G514**

- Combination door shoe and kick plate with raindrip
- Supplied Net Length (as ordered)

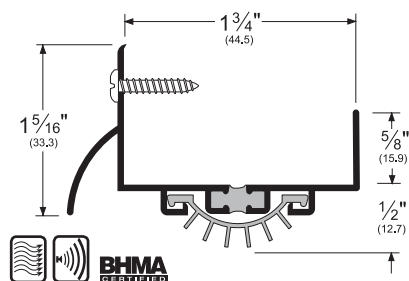


## Thermally Broken Door Shoe

- Polypropylene thermal break (FG) prevents conductivity of hot or cold from exterior to interior. Supplied with PemkoPrene™ Seal
- Supplied Net Length (as ordered)

### 216\_FG

AVAILABLE FINISHES: **A, BSP, D, SN, WSP**  
 REPLACEMENT INSERT: **PK216 (BL, GR)**  
 ANSI: **R3D514**



NOTE: Products shown in this section may not be drawn to scale.

AVAILABLE FINISHES FOR PRODUCTS SHOWN ON THIS PAGE

**A** (Mill Finish Aluminum) **BSP** (Black Suede Powder Coated Aluminum) **D** (Dark Bronze Anodized) **G** (Gold Anodized)  
**SN** (Satin Nickel Anodized) **WSP** (White Suede Powder Coated Aluminum) **10BE** (Satin Bronze Powder Coated Aluminum)

800-824-3018 | [www.pemko.com](http://www.pemko.com)

Check the web site for the up-to-date catalog

Copyright © 2015-2025, ASSA ABLOY Accessories and Door Controls Group, Inc., an ASSA ABLOY Group company. All rights reserved.  
 Reproduction in whole or in part without the express written permission of ASSA ABLOY Accessories and Door Controls Group, Inc. is prohibited.

**PEMKO**  
**ASSA ABLOY**

Experience a safer  
 and more open world

## DOOR SWEEPS FOR HOLLOW METAL DOORS

- Profiles in this section available with PemkoPrene™ (PK) or Eco-V™ (V); both are the same shape and size
- Slotted holes for easy adjustment
- Rain drip model is ideal for deflecting rain away from the bottom of the door

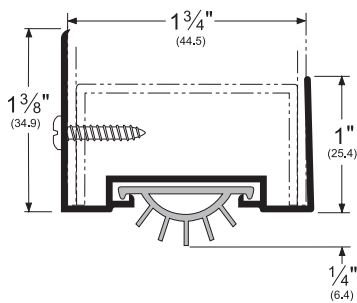
### 222\_V

AVAILABLE FINISHES: **A, BSP, D, WSP**  
 REPLACEMENT INSERT: **EV9 (BL, GR)**  
 ANSI: **R3D414**

### 222\_PK

AVAILABLE FINISHES: **A, BSP, D, WSP**  
 REPLACEMENT INSERT: **PK9 (BL, GR)**  
 ANSI: **R3G414**

- For hollow metal doors with inverted bottom channel
- Supplied Net Length (as ordered)



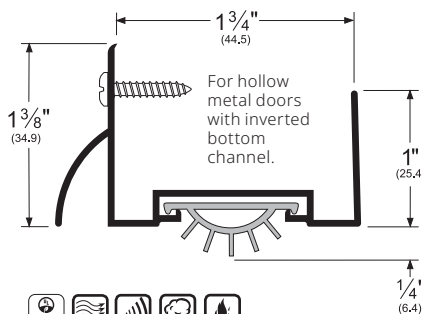
### 2221\_V

AVAILABLE FINISHES: **A, BSP, D, G, WSP**  
 REPLACEMENT INSERT: **EV9 (BL, GR)**  
 ANSI: **R3D514**

### 2221\_PK

AVAILABLE FINISHES: **A, BSP, D, G, WSP**  
 REPLACEMENT INSERT: **EV9 (BL, GR)**  
 ANSI: **R3G514**

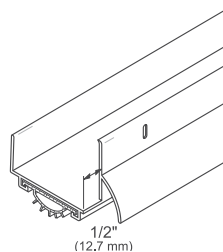
- Supplied Net Length (as ordered)



## FABRICATION OPTIONS FOR DOOR SHOES

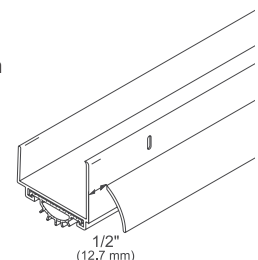
### 1/2" Full Notch

- **Fabrication includes:** removal of rain drip and front flange of door shoe to prevent interference with door stop and weatherstrip
- **Ordering:** order width of door leaf, and designate by adding "M" following the product number (Example: a 216AV with a 1/2" full notch fabrication, for a 36" door leaf = 216AVM36)



### 1/2" Half Notch

- **Fabrication includes:** removal of rain drip to prevent interference with door stop and weatherstrip
- **Ordering:** order width of door leaf and designate by adding "N" following the product number
- **Special:** Other half notches available are 9/16", 5/8", and 3/4" widths, please specify when ordering (Example: a 216AV with a 1/2" half notch fabrication, for a 36" door leaf = 216AVN36)



NOTE: Products shown in this section may not be drawn to scale.

AVAILABLE FINISHES FOR PRODUCTS SHOWN ON THIS PAGE

**A** (Mill Finish Aluminum) **BDC** (Bright Dip Clear Anodized) **BSP** (Black Suede Powder Coat)  
**D** (Dark Bronze Anodized) **G** (Gold Anodized) **WSP** (White Suede Powder Coat)



Experience a safer  
and more open world

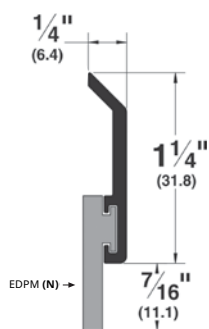
800-824-3018 | www.pemko.com  
 Check the web site for the up-to-date catalog

Copyright © 2015-2025, ASSA ABLOY Accessories and Door Controls Group, Inc., an ASSA ABLOY Group company. All rights reserved. Reproduction in whole or in part without the express written permission of ASSA ABLOY Accessories and Door Controls Group, Inc. is prohibited.

# DOOR BOTTOM SWEEPS

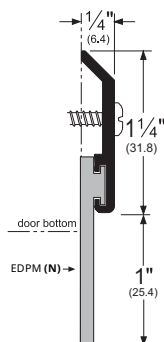
## 315\_N

AVAILABLE FINISHES: **B, BSP, C, D, WSP, 10BE, G, SN**  
 REPLACEMENT INSERT: **E315 (BL)**  
 ANSI: **R3B434, R3B435**



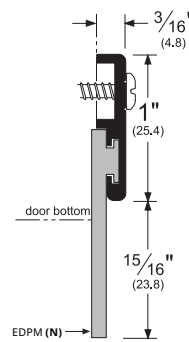
## 3151\_N

AVAILABLE FINISHES: **BSP, C, D, G, WSP**  
 REPLACEMENT INSERT: **E321 (BL)**  
 ANSI: **R3B434**



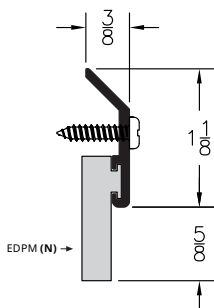
## 321\_N

AVAILABLE FINISHES: **BSP, C, D, G, WSP**  
 REPLACEMENT INSERT: **E321 (BL)**  
 ANSI: **R3B434, R3B435**



## 368\_N

AVAILABLE FINISHES: **BSP, C, D, WSP**  
 REPLACEMENT INSERT: **E368 (BL)**  
 ANSI: **R3B434, R3B435**



NOTE: Products shown in this section may not be drawn to scale.

AVAILABLE FINISHES FOR PRODUCTS SHOWN ON THIS PAGE

**B** (Mill Finish Extruded Bronze [Brass]) **BSP** (Black Suede Powder Coated Aluminum)  
**C** (Clear Anodized) **D** (Dark Bronze Anodized) **G** (Gold Anodized) **WSP** (White Suede Powder Coated Aluminum)

800-824-3018 | [www.pemko.com](http://www.pemko.com)

Check the web site for the up-to-date catalog

Copyright © 2015-2025, ASSA ABLOY Accessories and Door Controls Group, Inc., an ASSA ABLOY Group company. All rights reserved. Reproduction in whole or in part without the express written permission of ASSA ABLOY Accessories and Door Controls Group, Inc. is prohibited.



Experience a safer  
and more open world

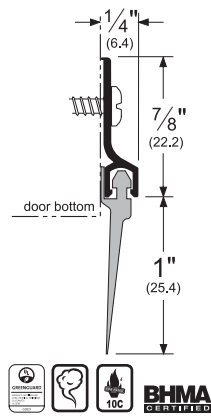
# DOOR BOTTOM SWEEPS (Cont.)

## 307\_V

AVAILABLE FINISHES:  
**A, BSP, C, D, PW**  
 REPLACEMENT INSERT:  
**EV54 (BL, GR, W)**  
 ANSI: **R3D434**

## 307\_PK

AVAILABLE FINISHES:  
**A, BSP, C, D, PW**  
 REPLACEMENT INSERT:  
**PK54 (BL, GR)**  
 ANSI: **R3G434**

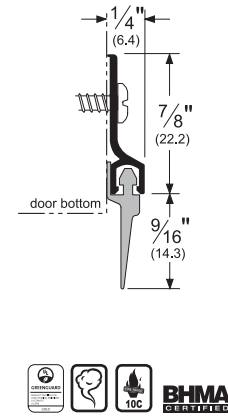


## 308\_V

AVAILABLE FINISHES:  
**A, BSP, C, D, PW**  
 REPLACEMENT INSERT:  
**EV65 (BL, GR)**  
 ANSI: **R3D434**

## 308\_PK

AVAILABLE FINISHES:  
**A, BSP, C, D, PW**  
 REPLACEMENT INSERT:  
**PK65 (BL, GR)**  
 ANSI: **R3D434**

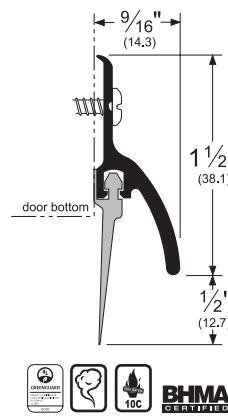


## 345\_V

AVAILABLE FINISHES:  
**A, BSP, C, D, G, WSP**  
 REPLACEMENT INSERT:  
**EV54 (BL, GR, W)**  
 ANSI: **R3D534**

## 345\_PK

AVAILABLE FINISHES:  
**A, BSP, C, D, G, WSP**  
 REPLACEMENT INSERT:  
**PK54 (BL, GR)**  
 ANSI: **R3G534**

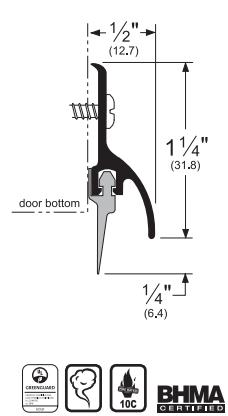


## 3452\_V

AVAILABLE FINISHES:  
**A, BSP, C, D, WSP, G, SN**  
 REPLACEMENT INSERT:  
**EV65 (BL, GR, W)**  
 ANSI: **R3D534**

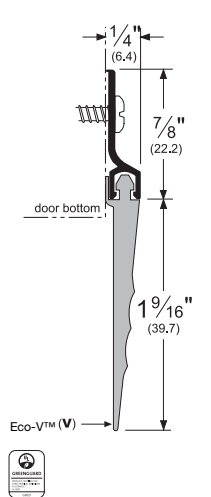
## 3452\_PK

AVAILABLE FINISHES:  
**A, BSP, C, D, WSP, G, SN**  
 REPLACEMENT INSERT:  
**PK65 (BL, GR)**  
 ANSI: **R3G534**



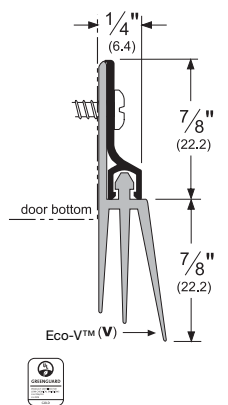
## 56\_V

AVAILABLE FINISHES:  
**A, BSP, D, WSP**  
 REPLACEMENT INSERT:  
**EV56 (BL, GR)**



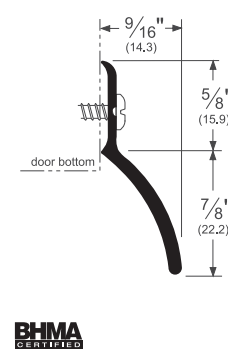
## 57\_V

AVAILABLE FINISHES:  
**A, BSP, D, WSP**  
 REPLACEMENT INSERT:  
**EV57 (BL)**



## 345\_

AVAILABLE FINISHES:  
**A, B, BSP, C, D, G, WSP**  
 ANSI: **R3Y936**



NOTE: Products shown in this section may not be drawn to scale.

AVAILABLE FINISHES FOR PRODUCTS SHOWN ON THIS PAGE  
**A** (Mill Finish Aluminum) **B** (Mill Finish Extruded Bronze [Brass])  
**BSP** (Black Suede Powder Coat) **C** (Clear Anodized) **D** (Dark Bronze Anodized)  
**G** (Gold Anodized) **PW** (Painted White) **WSP** (White Suede Powder Coat)



Experience a safer  
 and more open world

800-824-3018 | www.pemko.com  
 Check the web site for the up-to-date catalog

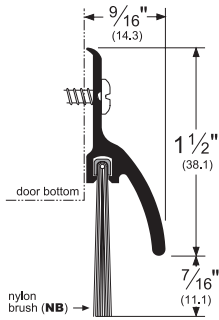
Copyright © 2015-2025, ASSA ABLOY Accessories and Door Controls Group, Inc., an ASSA ABLOY Group company. All rights reserved.  
 Reproduction in whole or in part without the express written permission of ASSA ABLOY Accessories and Door Controls Group, Inc. is prohibited.



# DOOR BOTTOM SWEEPS (Cont.)

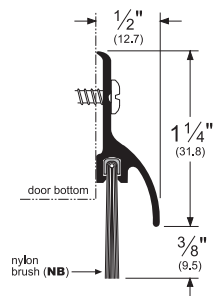
## 345\_NB

AVAILABLE FINISHES:  
**A, BSP, D, G, WSP**  
 REPLACEMENT INSERT:  
**P14100 (BL, GR)**  
 ANSI: **R3A534**



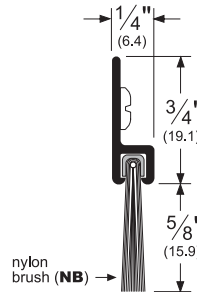
## 3452\_NB

AVAILABLE FINISHES:  
**BSP, C, D, G, WSP**  
 REPLACEMENT INSERT:  
**P14075 (BL, GR)**  
 ANSI: **R3A534**



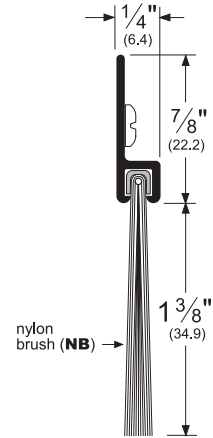
## 18061\_NB

AVAILABLE FINISHES:  
**BSP, C, D, G, SN, WSP**  
 REPLACEMENT INSERT:  
**P516062 (BL, GR, W)**  
 ANSI: **R3A434**



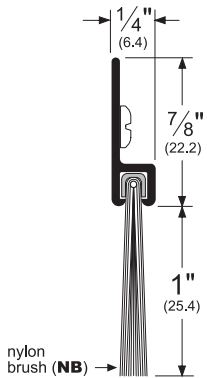
## 18137\_NB

AVAILABLE FINISHES:  
**BSP, C, D, G, WSP**  
 REPLACEMENT INSERT:  
**P38137 (BL, GR)**  
 ANSI: **R3A434**



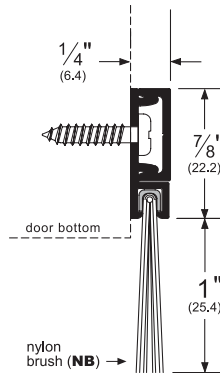
## 18100\_NB

AVAILABLE FINISHES:  
**BSP, C, D, G, WSP**  
 REPLACEMENT INSERT:  
**P38100 (BL, GR)**  
 ANSI: **R3A434**



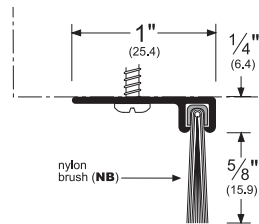
## 293100\_NB

AVAILABLE FINISHES:  
**BSP, C, D, G, WSP**  
 REPLACEMENT INSERT:  
**P516100 (BL, GR)**



## 90062\_NB

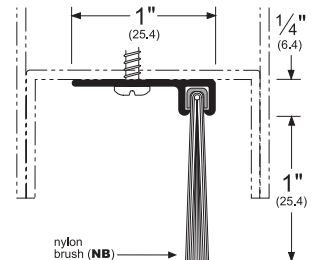
AVAILABLE FINISHES:  
**BSP, C, D, G, WSP**  
 REPLACEMENT INSERT:  
**P516062 (BL, GR, W)**  
 ANSI: **R3A414**



## 90100\_NB

AVAILABLE FINISHES:  
**BSP, C, D, WSP**  
 REPLACEMENT INSERT:  
**P516100 (BL, GR, W)**  
 ANSI: **R3A414**

For hollow metal doors with inverted channel



NOTE: Products shown in this section may not be drawn to scale.

AVAILABLE FINISHES FOR PRODUCTS SHOWN ON THIS PAGE  
**A** (Mill Finish Aluminum) **BSP** (Black Suede Powder Coat) **C** (Clear Anodized)  
**D** (Dark Bronze Anodized) **G** (Gold Anodized) **SN** (Satin Nickel Anodized)  
**WSP** (White Suede Powder Coat)

800-824-3018 | www.pemko.com  
 Check the web site for the up-to-date catalog

Copyright © 2015-2025, ASSA ABLOY Accessories and Door Controls Group, Inc., an ASSA ABLOY Group company. All rights reserved.  
 Reproduction in whole or in part without the express written permission of ASSA ABLOY Accessories and Door Controls Group, Inc. is prohibited.

**PEMKO**  
**ASSA ABLOY**

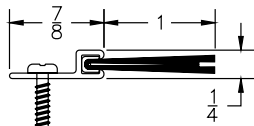
Experience a safer  
 and more open world

# DOOR BOTTOM SWEEPS (Cont.)

## Alternate Insert For 18100

### 18100\_NBE

AVAILABLE FINISHES: **BSP, C, D, G, WSP**  
 REPLACEMENT INSERT: **P38100E (BL)**  
 ANSI: **R3A434**



No. 6 x 5/8" PHSMS, Phillips  
 (Factory Provided)

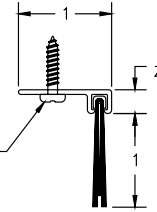


## Alternate Insert For 90100

### 90100\_NBE

AVAILABLE FINISHES: **BSP, C, D, WSP**  
 REPLACEMENT INSERT: **P516100E (BL)**  
 ANSI: **R3A414**

- For hollow metal doors with inverted channel



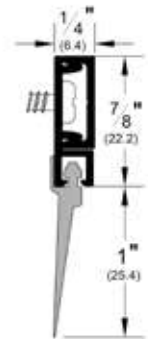
No. 6 x 5/8" PHSMS, Phillips  
 (Factory Provided)



## Alternate Inserts For 293100

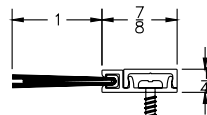
### 293100\_V

AVAILABLE FINISHES: **C, D**  
 REPLACEMENT INSERT: **EV54 (BL, GR, W)**



### 293100\_NBE

AVAILABLE FINISHES: **BSP, C, D, G, WSP**  
 REPLACEMENT INSERT: **P516100E (BL)**



No. 6 x 5/8" PHSMS, Phillips  
 (Factory Provided)



NOTE: Products shown in this section may not be drawn to scale.

AVAILABLE FINISHES FOR PRODUCTS SHOWN ON THIS PAGE  
**BSP** (Black Suede Powder Coat), **C** (Clear Anodized), **D** (Dark Bronze Anodized),  
**G** (Gold Anodized), **WSP** (White Suede Powder Coat),



Experience a safer  
 and more open world

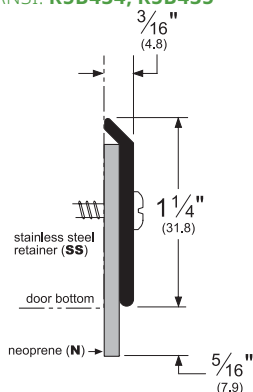
800-824-3018 | [www.pemko.com](http://www.pemko.com)  
 Check the web site for the up-to-date catalog

Copyright © 2015-2025, ASSA ABLOY Accessories and Door Controls Group, Inc., an ASSA ABLOY Group company. All rights reserved.  
 Reproduction in whole or in part without the express written permission of ASSA ABLOY Accessories and Door Controls Group, Inc. is prohibited.

# STAINLESS STEEL DOOR BOTTOM SWEEPS

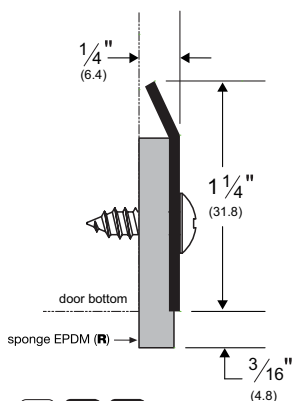
## 315SSN

AVAILABLE FINISH: **SS (#4 Finish)**  
 REPLACEMENT INSERT: **N8 (BL)**  
 ANSI: **R5B434, R5B435**



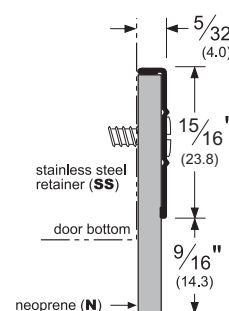
## 315SSR

AVAILABLE FINISH: **SS (#4 Finish)**  
 REPLACEMENT INSERT: **ER2 (BL)**  
 ANSI: **R5G164, R5G165**



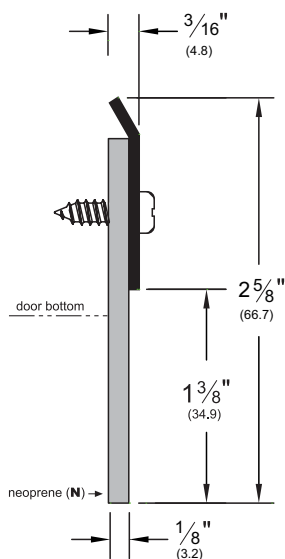
## 321SSN

AVAILABLE FINISH: **SS**  
 REPLACEMENT INSERT: **N8 (BL)**  
 ANSI: **R5B165**  
 • 430 Bright Annealed SS



## 3151SSN

AVAILABLE FINISH: **SS (#4 Finish)**  
 REPLACEMENT INSERT: **N9 (BL)**  
 ANSI: **R5B434, R5B435**



# SPECIALTY DOOR SWEEP

• Talc-filled polypropylene body with flexible PemkoPrene® fin

## SFSC200\_

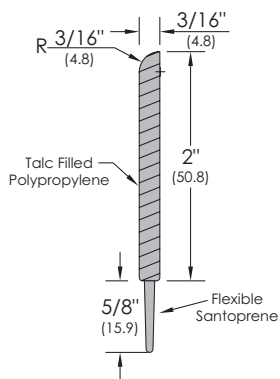
AVAILABLE FINISH: **BL, GR**

NOTE: Products shown in this section may not be drawn to scale.

AVAILABLE FINISHES FOR PRODUCTS SHOWN ON THIS PAGE

**SS** (See Individual Part)

SFSC Finishes: **BL** (Black), **GR** (Gray)



**PEMKO**  
**ASSA ABLOY**

Experience a safer  
 and more open world

800-824-3018 | www.pemko.com

Check the web site for the up-to-date catalog

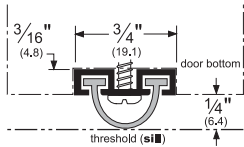
Copyright © 2015-2025, ASSA ABLOY Accessories and Door Controls Group, Inc., an ASSA ABLOY Group company. All rights reserved.  
 Reproduction in whole or in part without the express written permission of ASSA ABLOY Accessories and Door Controls Group, Inc. is prohibited.

## SPECIALTY DOOR BOTTOMS

- May be used in many different applications. Some of these shapes may be used as meeting stile gasketing; see page 174 for examples
- Supplied Net Length (as ordered)

### 313\_N

AVAILABLE FINISHES: **A, D, G**  
 REPLACEMENT INSERT:  
**E1 (BL, GR)**  
 ANSI: **R3G416**

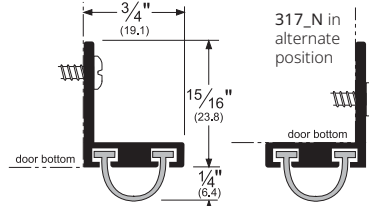


EPDM (N)



### 317\_N

AVAILABLE FINISHES: **A, BSP, D**  
 REPLACEMENT INSERT: **E1 (BL, GR)**  
 ANSI: **R3G416**

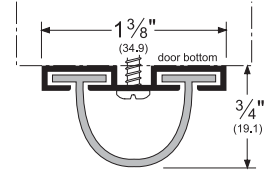


EPDM (N)



### 314\_N

AVAILABLE FINISHES: **C, D, G**  
 REPLACEMENT INSERT: **E3 (BL, GR)**  
 ANSI: **R3G416**



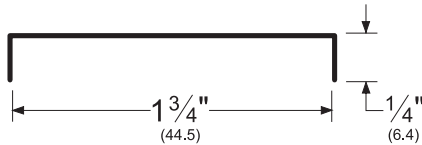
EPDM (N)



## DOOR TOP WEATHERSTRIP

### \_344

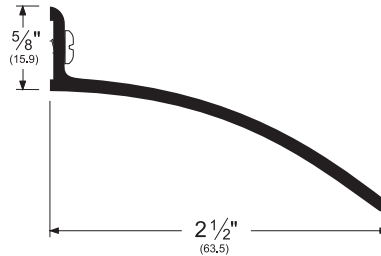
AVAILABLE FINISHES: **PA**  
 AVAILABLE LENGTHS: **36", 48"**



### 346\_

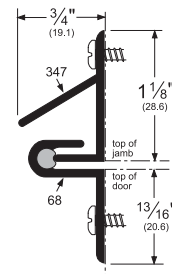
AVAILABLE FINISHES: **10BE, BSP, C, D, WSP**

- Overhead rain drip with slotted holes
- Should be ordered a minimum of 4" longer than the door width



### 347\_68\_R

AVAILABLE FINISHES: **A, D, G**



NOTE: Products shown in this section may not be drawn to scale.

AVAILABLE FINISHES FOR PRODUCTS SHOWN ON THIS PAGE

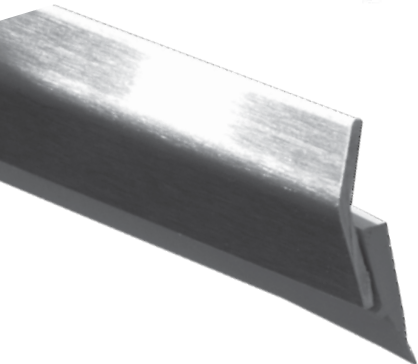
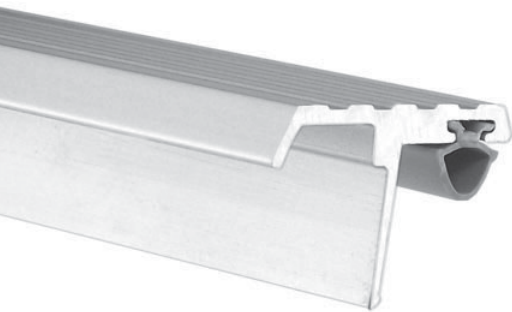
**10BE** (Satin Bronze Powder Coated Aluminum) **A** (Mill Finish Aluminum) **BSP** (Black Suede Powder Coated Aluminum)  
**C** (Clear Anodized) **D** (Dark Bronze Anodized) **G** (Gold Anodized) **PA** (Painted Aluminum)  
**WSP** (White Suede Powder Coated Aluminum)

Non-Metal Finish: **BL** (Black)

**PEMKO**  
**ASSA ABLOY**

Experience a safer  
 and more open world

# PEMKO ASTRAGALS & MEETING STILES



## CONTENTS:

Astragal and Meeting Stile Gasketing - Split Astragals.....	150
Split Astragals with Snap Covers – Concealed Fasteners.....	152
Meeting Stile Gasketing.....	152
Meeting Stile Gasketing/Excessive Gap Meeting Stile.....	153
Adhesive Astragal/Meeting Stile Seals .....	154
Adjustable Astragals.....	154
“T” and Overlapping Astragals.....	155
Adhesive-Backed Mullion Gasketing.....	156
Adhesive-Backed Astragal Seal .....	156
Offset Security Bar .....	156
Locking Astragals .....	157

## INDEX:

PRODUCT	PAGE	PRODUCT	PAGE	PRODUCT	PAGE
297.....	150	356 .....	155	18041 .....	151
300 .....	153	357 .....	155	18061 .....	151
303 .....	150	359.....	155	29310.....	152
305 .....	150	369 .....	153	29324.....	152
305SS.....	150	371.....	153	29326.....	152
310.....	151	372 .....	153	S771 .....	154
311CIN.....	151	375.....	155	S771x6.....	154
313.....	152	3493.....	156	S772 .....	154
314.....	152	3494.....	156	S1125 .....	156
316.....	151	3495.....	158	XG90SSME-KIT .....	153
351.....	154	3496.....	158		
354 .....	154	3572.....	156		
355 .....	155	5110.....	156		

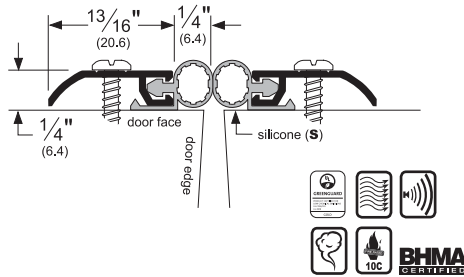
# ASTRAGAL AND MEETING STILE GASKETING – SPLIT ASTRAGALS

- Astragals and meeting stiles with a fire label may be mounted on pairs of doors wherein the gap meets the requirements of **NFPA 80, 6.3.1.7.1 “The clearance between... the meeting edges of doors swinging in pairs on the pull side shall be 1/8" ± 1/16" (3.18mm ± 1.59mm) for steel doors and shall not exceed 1/8" (3.18mm) for wood doors”**
- Punched with slotted holes for adjustment

- Order split astragals at two (2) pieces by door height per set of double doors. When ordering add "1/2" to the end of the part number to specify 2 pieces (i.e. order quantity 1 each 303AS84/2 to get two lengths at 84 inches)
- Clear anodized brush products are supplied with gray brush. Painted white brush products are supplied with white brush when available, otherwise black brush is supplied. All other finishes supplied with black brush. Black brush is available for clear anodized and painted white brush products upon request.

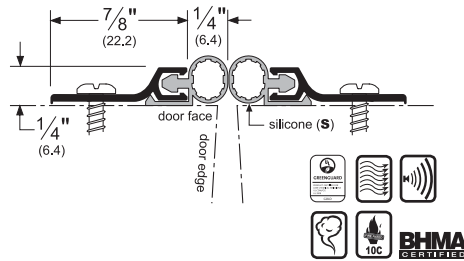
## 297\_S

AVAILABLE FINISHES:  
**10BE, A, BDG, BSP, D, PW, SN, WSP**  
 REPLACEMENT INSERT:  
**S3 (BL, W)**  
 ANSI: **R3E734, R3E735**



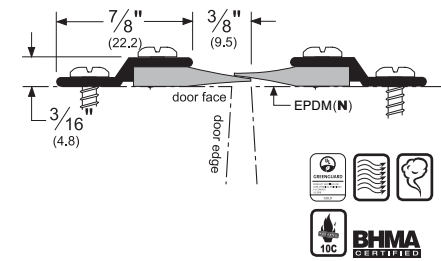
## 303\_S

AVAILABLE FINISHES:  
**10BE, A, BSP, C, D, G, PW, SN, WSP**  
 REPLACEMENT INSERT:  
**S3 (BL, W)**  
 ANSI: **R3E734, R3E735**



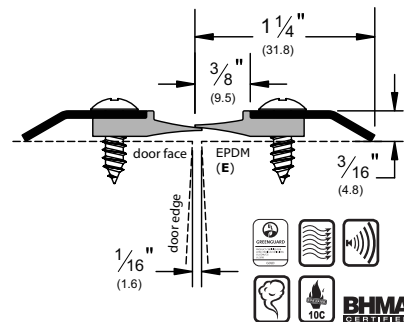
## 305\_N

AVAILABLE FINISHES:  
**10BE, B, BSP, C, D, WSP**  
 REPLACEMENT INSERT:  
**E2 (BL)**  
 ANSI: **R3G734, R3G735**



## 305SSE

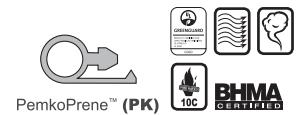
AVAILABLE FINISHES:  
**SS (#4 Finish)**  
 REPLACEMENT INSERT:  
**E2 (BL)**  
 ANSI: **R5G734, R5G735**



### Alternate Inserts For 297

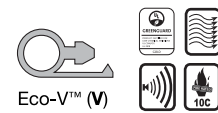
#### 297\_PK

AVAILABLE FINISHES:  
**10BE, A, BDG, BSP, D, PW, SN, WSP**  
 REPLACEMENT INSERT:  
**PK47 (BL, GR)**  
 ANSI: **R3G734, R3G735**



#### 297\_V

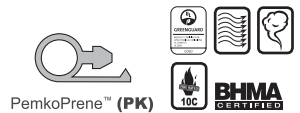
AVAILABLE FINISHES:  
**10BE, A, BDG, BSP, D, PW, SN, WSP**  
 REPLACEMENT INSERT:  
**EV47 (BL, GR, W)**



### Alternate Inserts For 303

#### 303\_PK

AVAILABLE FINISHES:  
**10BE, A, BSP, C, D, G, PW, SN, WSP**  
 REPLACEMENT INSERT:  
**PK47 (BL, GR)**  
 ANSI: **R3G734**



#### 303\_V

AVAILABLE FINISHES:  
**10BE, A, BSP, C, D, G, PW, SN, WSP**  
 REPLACEMENT INSERT:  
**EV47 (BL, GR, W)**



#### AVAILABLE FINISHES FOR PRODUCTS SHOWN ON THIS PAGE

**10BE** (Satin Bronze Powder Coated Aluminum) **A** (Mill Finish Aluminum) **BDG** (Bright Dip Gold Anodized) **BSP** (Black Suede Powder Coated Aluminum) **C** (Clear Anodized) **D** (Dark Bronze Anodized) **G** (Gold Anodized) **PW** (Painted White) **SN** (Satin Nickel Anodized) **WSP** (White Suede Powder Coated Aluminum)



Experience a safer and more open world

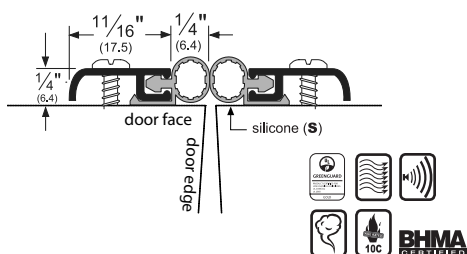
800-824-3018 | www.pemko.com  
 Check the web site for the up-to-date catalog

Copyright © 2015-2025, ASSA ABLOY Accessories and Door Controls Group, Inc., an ASSA ABLOY Group company. All rights reserved. Reproduction in whole or in part without the express written permission of ASSA ABLOY Accessories and Door Controls Group, Inc. is prohibited.

# ASTRAGAL AND MEETING STILE GASKETING – SPLIT ASTRAGALS (Cont.)

## 316\_S

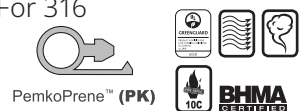
AVAILABLE FINISHES:  
**10BE, A, BSP, D, G, WSP**  
REPLACEMENT INSERT:  
**S3 (BL, W)**  
ANSI: **R3E734, R3E735**



### Alternate Inserts For 316

#### 316\_PK

AVAILABLE FINISHES:  
**10BE, A, BSP, D, G, WSP**  
REPLACEMENT INSERT:  
**PK47 (BL, GR)**  
ANSI: **R3G734, R3G735**



#### 316\_V

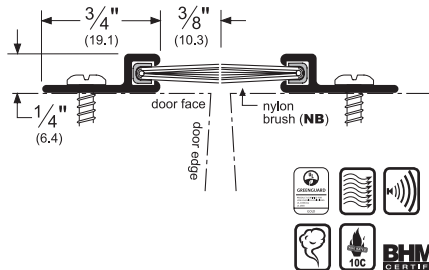
AVAILABLE FINISHES:  
**10BE, A, BSP, D, G, WSP**  
REPLACEMENT INSERT:  
**EV47 (BL, GR, W)**



## 18041\_NB

AVAILABLE FINISHES:  
**10BE, C, BSP, D, G, SN, WSP**  
REPLACEMENT INSERT:  
**P516041 (BL, GR)**  
ANSI: **R3A734**

NOTE: Brush should mesh from 1/32" to 1/16".



### Alternate Inserts For 18041

#### 18041\_SB

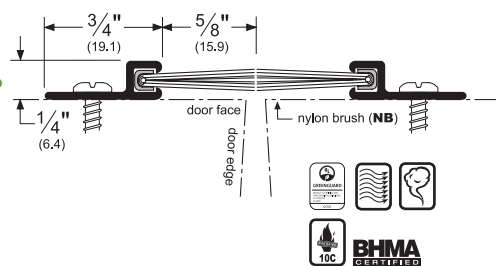
AVAILABLE FINISHES:  
**10BE, C, BSP, D, G, SN, WSP**  
REPLACEMENT INSERT:  
**P3 (BL, GR)**



## 18061\_NB

AVAILABLE FINISHES:  
**10BE, C, BSP, D, G, SN, WSP**  
REPLACEMENT INSERT:  
**P516062 (BL, GR, W)**  
ANSI: **R3A734**

NOTE: Brush should mesh from 1/32" to 1/16".



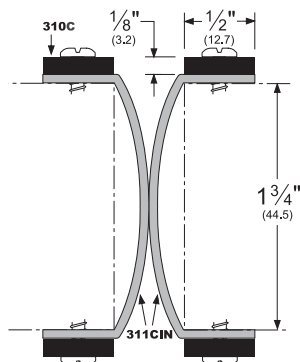
## 310\_\*

### 311CIN

AVAILABLE FINISHES:  
**C**

- Material required for one pair of doors:
  - 4 ea. 310 bars and
  - 2 ea. 311CIN cloth inserted rubber pieces
    - Specify 311CIN3.75 for 1 3/4" thick doors
    - Specify 311CIN4.00 for 2" thick doors
    - Specify 311CIN4.25 for 2 1/4" thick doors

\* Sold individually



#### AVAILABLE FINISHES FOR PRODUCTS SHOWN ON THIS PAGE

**10BE** (Satin Bronze Powder Coated Aluminum) **A** (Mill Finish Aluminum)  
**BSP** (Black Suede Powder Coated Aluminum) **C** (Clear Anodized) **D** (Dark Bronze Anodized)  
**G** (Gold Anodized) **SN** (Satin Nickel Anodized) **WSP** (White Suede Powder Coated Aluminum)

800-824-3018 | www.pemko.com

Check the web site for the up-to-date catalog

Copyright © 2015-2025, ASSA ABLOY Accessories and Door Controls Group, Inc., an ASSA ABLOY Group company. All rights reserved. Reproduction in whole or in part without the express written permission of ASSA ABLOY Accessories and Door Controls Group, Inc. is prohibited.

**PEMCO**  
**ASSA ABLOY**

Experience a safer  
and more open world

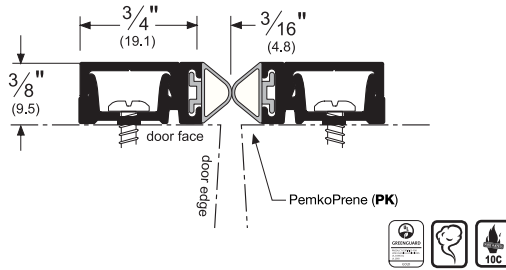
# SPLIT ASTRAGALS WITH SNAP COVERS – CONCEALED FASTENERS

• Snap cover helps prevent vandalism and adds an attractive finished look by concealing the fasteners

• Replacement snap cover part number is \_29316. Please specify finish and length when ordering.

## 29310\_PK

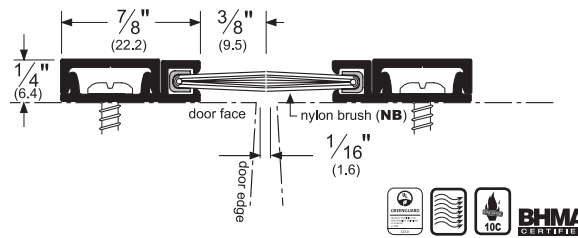
AVAILABLE FINISHES:  
**10BE, BSP, C, D, G, WSP**  
 REPLACEMENT INSERT:  
**PK4 (BL, GR)**  
 ANSI: **R3E734**



## 29324\_NB

AVAILABLE FINISHES:  
**10BE, BSP, C, D, G, WSP**  
 REPLACEMENT INSERT:  
**P516041 (BL, GR)**  
 ANSI: **R3A434**

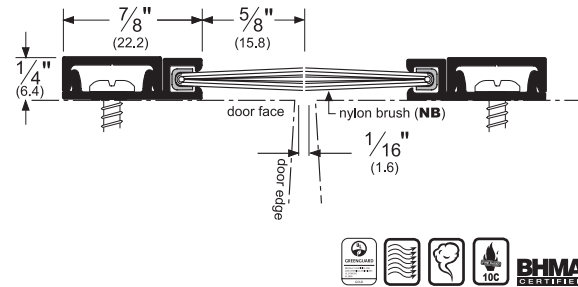
NOTE: Brush should mesh from 1/32" to 1/16".



## 29326\_NB

AVAILABLE FINISHES:  
**10BE, BSP, C, D, G, WSP**  
 REPLACEMENT INSERT:  
**P516062 (BL, GR, W)**  
 ANSI: **R3A164, R3A165**

NOTE: Brush should mesh from 1/32" to 1/16".



### Alternate Inserts For 29310

#### 29310\_P

AVAILABLE FINISHES:  
**10BE, BSP, C, D, G, WSP**  
 REPLACEMENT INSERT:  
**P2 (BL, GR)**



#### 29310\_V

AVAILABLE FINISHES:  
**10BE, BSP, C, D, G, WSP**  
 REPLACEMENT INSERT:  
**EV41 (BL, GR, W)**



### Alternate Inserts For 29324

#### 29324\_SB

AVAILABLE FINISHES:  
**10BE, BSP, C, D, G, WSP**  
 REPLACEMENT INSERT:  
**P3 (BL, GR)**



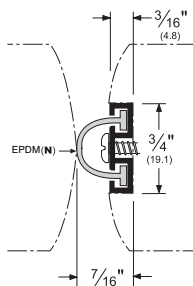
## MEETING STILE GASKETING

• These products do not work well on beveled-edge pairs of doors

### 313\_N

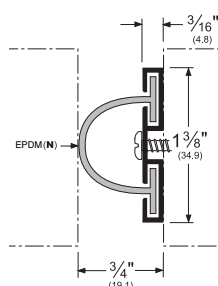
AVAILABLE FINISHES:  
**A, D, G**  
 REPLACEMENT INSERT:  
**E1 (BL, GR)**

NOTE: Recommended radius is 1-7/8"



### 314\_N

AVAILABLE FINISHES:  
**C, D, G**  
 REPLACEMENT INSERT:  
**E3 (BL, GR)**



#### AVAILABLE FINISHES FOR PRODUCTS SHOWN ON THIS PAGE

**10BE** (Satin Bronze Powder Coated Aluminum) **A** (Mill Finish Aluminum) **BSP** (Black Suede Powder Coated Aluminum) **C** (Clear Anodized) **D** (Dark Bronze Anodized) **G** (Gold Anodized) **WSP** (White Suede Powder Coated Aluminum)

800-824-3018 | [www.pemko.com](http://www.pemko.com)  
 Check the web site for the up-to-date catalog

Experience a safer  
 and more open world

Copyright © 2015-2025, ASSA ABLOY Accessories and Door Controls Group, Inc., an ASSA ABLOY Group company. All rights reserved. Reproduction in whole or in part without the express written permission of ASSA ABLOY Accessories and Door Controls Group, Inc. is prohibited.



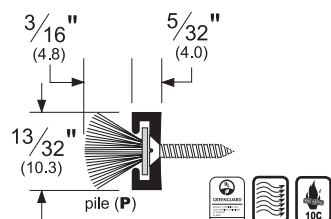
## MEETING STILE GASKETING (Cont.)

• Astragals/Meeting Stiles with a fire label may be mounted on pairs of doors wherein the gap meets the requirements of NFPA 80, 2-5.4

• These products do not work well on beveled-edge pairs of doors

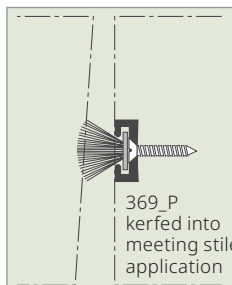
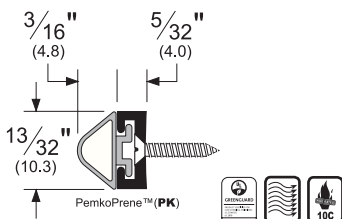
### 369\_P

AVAILABLE FINISHES: **A, D, G**  
REPLACEMENT INSERT:  
**P2 (BL, GR)**



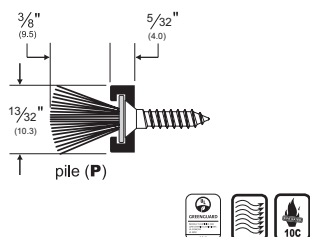
### 369\_PK

AVAILABLE FINISHES: **A, D, G**  
REPLACEMENT INSERT:  
**PK4 (BL, GR)**



### 369\_P4

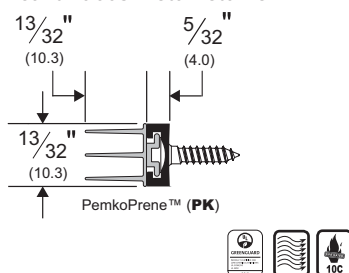
AVAILABLE FINISHES: **A, D, G**  
REPLACEMENT INSERT:  
**P4 (BL)**



### 369\_PK773

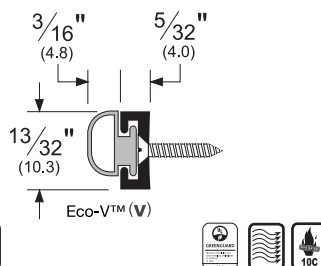
AVAILABLE FINISHES: **A, D, G**  
REPLACEMENT INSERT:  
**PK773 (BL)**

• Gasket only available in 36" or 49" lengths and will be spliced a continuous metal retainer



### 369\_V

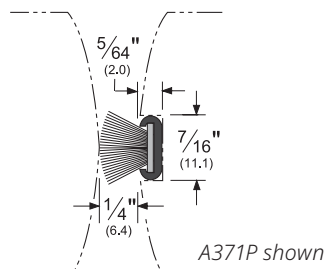
AVAILABLE FINISHES: **A, D, G**  
REPLACEMENT INSERT:  
**EV41 (BL, GR, W)**



### A371P (1/4" pile)

### A372P (3/8" pile)

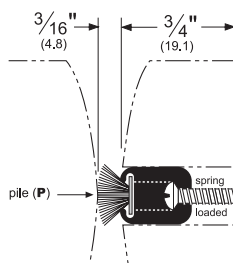
- Available in 84" and 96" lengths
- Available with gray pile only
- Fasten with nails or staples through pile and backing, or use adhesive. Fasteners not supplied
- Pile and backing do not separate



### 300\_P

AVAILABLE FINISHES:  
**B, C, D, G**  
REPLACEMENT INSERT:  
**P2 (BL, GR)**

- For a 3/8" gap (or smaller) between doors
- Spring-loaded from back side

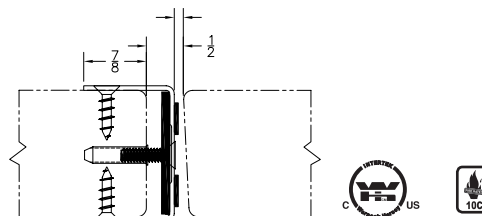


## EXCESSIVE GAP MEETING EDGE

### XG90SSME-KIT

AVAILABLE FINISHES: **SS, 10BE, BSP, WSP**

- Certified for paired doors on both Hollow Metal and Wood Fire-Rated Doors, up to 90 minutes
- Meets UL10C requirements for excessive gaps up to 1/2"
- Furnished with metal edge guard and high performance intumescent: HSS2000BL, HSS90BL



AVAILABLE FINISHES FOR PRODUCTS SHOWN ON THIS PAGE

**A** (Mill Finish Aluminum) **B** (Mill Finish Extruded Bronze [Brass]) **C** (Clear Anodized) **D** (Dark Bronze Anodized) **G** (Gold Anodized)  
MEETING STILE: **10BE** (Satin Bronze Powder Coated Aluminum) **BSP** (Black Suede Powder Coated Aluminum)  
**SS** (Stainless Steel) **WSP** (White Suede Powder Coated Aluminum)

800-824-3018 | www.pemko.com

Check the web site for the up-to-date catalog

Copyright © 2015-2025, ASSA ABLOY Accessories and Door Controls Group, Inc., an ASSA ABLOY Group company. All rights reserved. Reproduction in whole or in part without the express written permission of ASSA ABLOY Accessories and Door Controls Group, Inc. is prohibited.

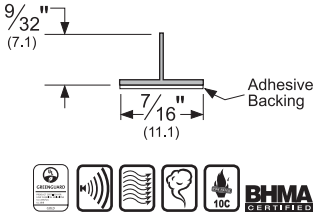
**PEMKO**  
**ASSA ABLOY**

Experience a safer  
and more open world

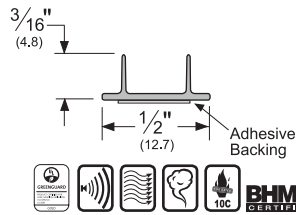
# ADHESIVE ASTRAGAL/MEETING STILE SEALS

- The **S771** and **S772** astragal/meeting stile seals can be installed on virtually any pair of doors where sound attenuation is required. These products seal the opening to prevent heat loss, retard the passage of smoke, and act as a weatherization product
- Excellent resistance to compression set, particularly at elevated temperatures and for extended periods of time
- Stays flexible between -58°F and 450°F with very high resistance to flex fatigue
- Maintains a low closing force
- Easy installation requires no mechanical fasteners; can be cut to size in the field

**S771\_**  
 AVAILABLE FINISHES: **BL, C, D, W**  
 AVAILABLE LENGTHS: **7', 8', 9', 10'**  
 ANSI: **ROE754, ROE755**

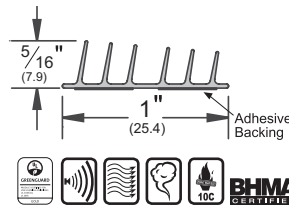


**S772\_**  
 AVAILABLE FINISHES: **BL, C, D, W**  
 AVAILABLE LENGTHS: **7', 8', 9', 10'**  
 ANSI: **ROE754, ROE755**



**S771x6\_**  
 AVAILABLE FINISHES: **BL**  
 AVAILABLE LENGTHS: **7', 8', 9', 10'**  
 ANSI: **ROE154, ROE155, ROE754, ROE755**

- Designed for hollow metal and wood meeting stile applications
- Seal begins compressing at 5/16"



**Notes For All Adhesive Gasketing:**

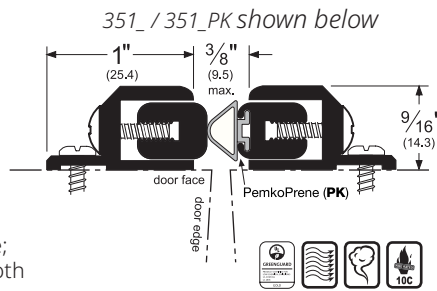
Storage and shelf life: All adhesive gaskets have a limited shelf life. This product must be installed within 6 months of purchase and must be stored between 50°F and 100°F. For further notes/details, please see Adhesive Gasketing section.

## ADJUSTABLE ASTRAGALS

- Available in 84", 96" and 120" lengths
- When used as split astragals on double doors, two lengths must be ordered: one for each door
- If you require split astragals in a metal to gasket configuration, you must order using part number 351\_/351\_PK where "PK" can be any gasket designation shown in this section and "\_" is your desired finish

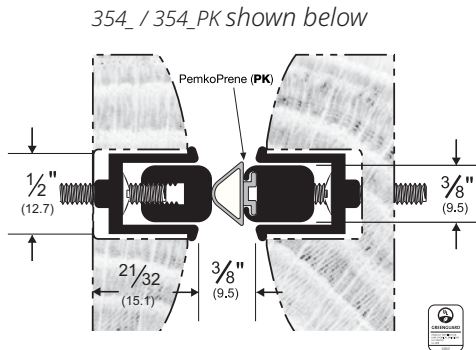
**351\_PK**  
 AVAILABLE FINISHES:  
**10BE, B, BSP, C, D, G, WSP**  
 REPLACEMENT INSERT:  
**PK4 (BL, GR)**

- Surface applied
- For use with square-edge or bevel-edge doors
- 351\_PK (et al) is one single piece; order 351\_/351\_PK to receive both pieces as in drawing



**354\_PK**  
 AVAILABLE FINISHES:  
**10BE, B, BSP, C, D, G, WSP**  
 REPLACEMENT INSERT:  
**PK4 (BL, GR)**

- Fully mortised
- Designed for use with bullnose doors
- 354\_PK (et al) is one single piece; order 354\_/354\_PK to receive both pieces as in drawing

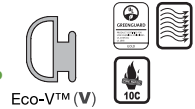


**AVAILABLE FINISHES FOR PRODUCTS SHOWN ON THIS PAGE**

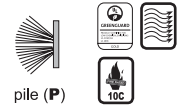
**10BE** (Satin Bronze Powder Coated Aluminum) **B** (Mill Finish Extruded Bronze [Brass]) **BSP** (Black Suede Powder Coated Aluminum) **C** (Clear Anodized) **D** (Dark Bronze Anodized) **G** (Gold Anodized) **WSP** (White Suede Powder Coated Aluminum)  
 Gasket colors: **BL** (Black) **C** (Clear) **D** (Dark) **GR** (Gray) **W** (White)

**Alternate Inserts For 351**

**351\_V**  
 AVAILABLE FINISHES:  
**10BE, B, BSP, C, D, G, WSP**  
 REPLACEMENT INSERT:  
**EV41 (BL, GR, W)**



**351\_P**  
 AVAILABLE FINISHES:  
**10BE, B, BSP, C, D, G, WSP**  
 REPLACEMENT INSERT:  
**P2 (BL, GR)**

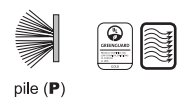


**Alternate Inserts For 354**

**354\_V**  
 AVAILABLE FINISHES:  
**10BE, B, BSP, C, D, G, WSP**  
 REPLACEMENT INSERT:  
**EV41 (BL, GR, W)**



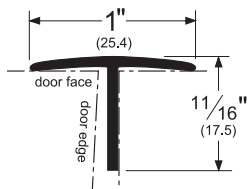
**354\_P**  
 AVAILABLE FINISHES:  
**10BE, B, BSP, C, D, G, WSP**  
 REPLACEMENT INSERT:  
**P2 (BL, GR)**



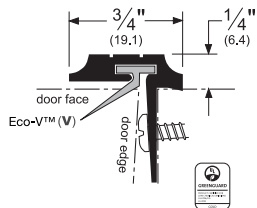
Experience a safer and more open world

# "T" AND OVERLAPPING ASTRAGALS

**359\_**  
 AVAILABLE FINISHES:  
**10BE, A, BSP, D, WSP**  
 • Supplied with weatherstrip nails for installation



**356\_V**  
 AVAILABLE FINISHES:  
**10BE, A, BDG, BSP, D, PW, WSP**  
 REPLACEMENT INSERT:  
**EV17 (GR, W)**  
 • Countersink drilling with countersunk flathead screws also available upon request at no extra charge



**355\_S**  
 AVAILABLE FINISHES:  
**10BE, B, BSP, C, D, PW, WSP**  
 REPLACEMENT INSERT:  
**S4 (BL, GR)**

Alternate Inserts  
 For 355

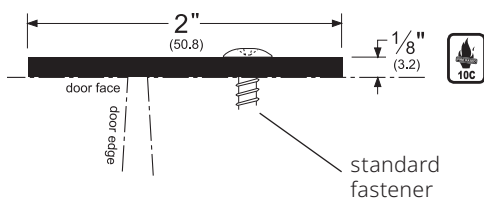
**355\_V**  
 AVAILABLE FINISHES:  
**10BE, B, BSP, C, D, PW, WSP**  
 REPLACEMENT INSERT:  
**EV7 (BL, GR, W)**

**355\_P**  
 AVAILABLE FINISHES:  
**10BE, B, BSP, C, D, PW, WSP**  
 REPLACEMENT INSERT:  
**P2 (BL, GR)**

**355\_PK**  
 AVAILABLE FINISHES:  
**10BE, B, BSP, C, D, PW, WSP**  
 REPLACEMENT INSERT:  
**PK7 (BL, GR)**

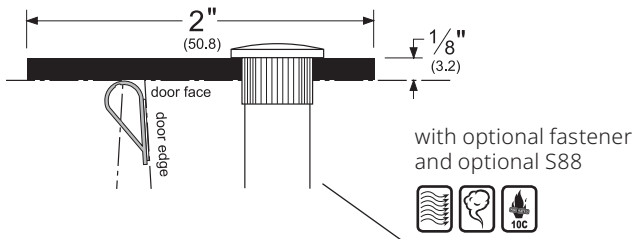
**357\_**  
**357\_ND**  
 AVAILABLE FINISHES:  
**10BE, BSP, C, D, SP, SPBSP, SPWSP**  
**SS (#4 Finish & #4 Edge)**

**11 GAUGE**  
 • "ND" denotes "no drill" (unless specified "ND", astragals are drilled)  
 • Standard fastener is #10 x 1" Truss Head SMS  
 • Lead-line option available

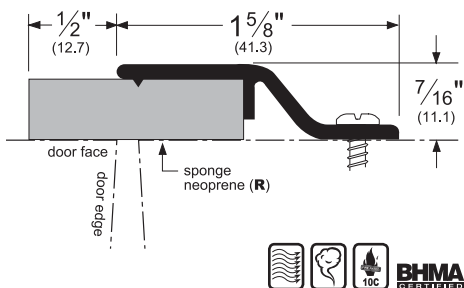


**357\_ with S88**  
 AVAILABLE FINISHES:  
**SP, SS (#4 Finish & #4 Edge)**

**11 GAUGE**  
 • Standard fastener is #10 x 1" Truss Head SMS  
 • 1/4" - 20 machine screws and thru-bolts must be ordered separately at additional cost  
 • S88 seal must be ordered separately at an additional cost, if required



**375\_R**  
 AVAILABLE FINISHES: **10BE, BSP, C, D, WSP**  
 REPLACEMENT INSERT: **ER6 (BL)**  
 ANSI: **R3C634, R3C635**



AVAILABLE FINISHES FOR PRODUCTS SHOWN ON THIS PAGE  
**10BE** (Satin Bronze Powder Coated Aluminum) **A** (Mill Finish Aluminum) **B** (Mill Finish Extruded Bronze [Brass])  
**BDG** (Bright Dip Gold Anodized) **C** (Clear Anodized) **BSP** (Black Suede Powder Coated Aluminum) **D** (Dark Bronze Anodized)  
**PW** (Painted White) **SP** (Galvannealed Steel) **SPBSP** (Black Suede Powder Coated Steel)  
**SPWSP** (White Suede Powder Coated Steel) **SS** (See Individual Part) **WSP** (White Suede Powder Coated Aluminum)

800-824-3018 | www.pemko.com

Check the web site for the up-to-date catalog

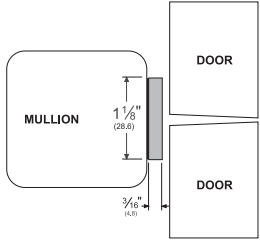
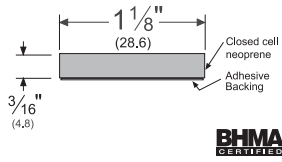
Copyright © 2015-2025, ASSA ABLOY Accessories and Door Controls Group, Inc., an ASSA ABLOY Group company. All rights reserved. Reproduction in whole or in part without the express written permission of ASSA ABLOY Accessories and Door Controls Group, Inc. is prohibited.

**PEMKO**  
**ASSA ABLOY**

Experience a safer  
 and more open world

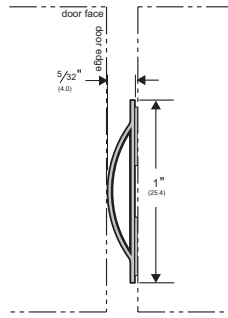
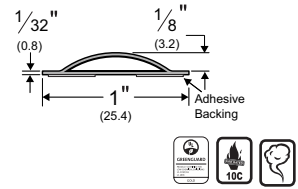
## ADHESIVE-BACKED MULLION GASKETING

5110\_  
 AVAILABLE FINISH: **BL**  
 AVAILABLE LENGTHS: **120"**  
 ANSI: **R0C004**



## ADHESIVE-BACKED ASTRAGAL SEAL

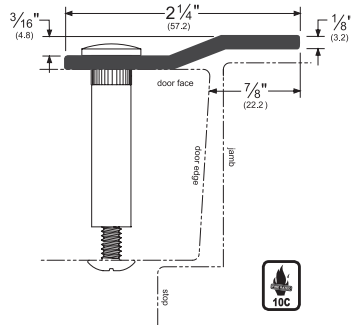
S1125\_  
 AVAILABLE FINISH: **D**  
 AVAILABLE LENGTHS: **7', 8', 10'**



## OFFSET SECURITY BAR

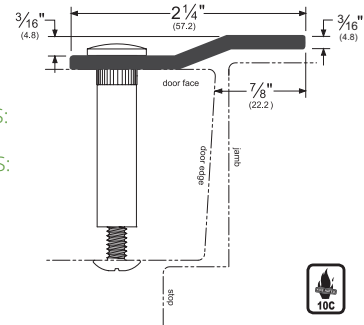
- For use on single outswing wood or metal doors
- Covers gap between the door and jamb for the full door height, preventing prying and manipulation

3572\_  
 3572\_ND  
 AVAILABLE FINISHES:  
**SP, SPBSP, SPWSP,**  
**SS (#4 Finish & #4 Edge)**  
 AVAILABLE LENGTHS:  
**80", 84" and 96"**  
**10 GAUGE**



- 3572\_ supplied drilled 12" on center with 3/8" holes; "ND" denotes "no drill"

3572PP7  
 3572PP7ND  
 AVAILABLE FINISHES:  
**PP**  
 AVAILABLE LENGTHS:  
**84"**  
**7 GAUGE**



Experience a safer  
 and more open world

AVAILABLE FINISHES FOR PRODUCTS SHOWN ON THIS PAGE  
**BL** (Black) **D** (Dark Brown) **PP** (Prime Painted) **SP** (Galvanized Steel)  
**SS** (See Individual Part) **SPBSP** (Black Suede Powder Coated Steel)  
**SPWSP** (White Suede Powder Coated Steel)

800-824-3018 | www.pemko.com  
 Check the web site for the up-to-date catalog

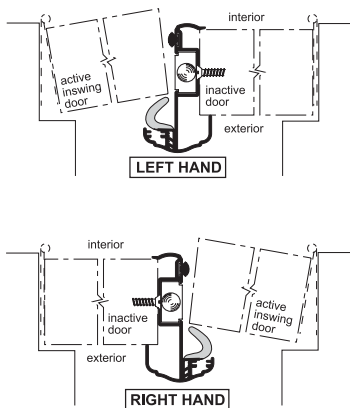
Copyright © 2015-2025, ASSA ABLOY Accessories and Door Controls Group, Inc., an ASSA ABLOY Group company. All rights reserved.  
 Reproduction in whole or in part without the express written permission of ASSA ABLOY Accessories and Door Controls Group, Inc. is prohibited.

# LOCKING ASTRAGALS

- Weatherstripped astragals with locking spring bolts or slide bolts for 1¾" inswing double doors
- Odd numbered astragals have economical smooth acting slide bolts. Slide bolts are 4" from the top/bottom standard; optional 18" slide bolt is available for easier access. Even numbered astragals have locking spring bolts. Both have full ¾" diameter steel bolts with 1½" throw. In the extended and locked position, locking spring bolts cannot be easily retracted by tampering. In the retracted position, the spring loaded bolts latch firmly, preventing marking of the floor and door header trim when opening or closing the inactive door
- Styles **3493** thru **3498** come with a molded sponge neoprene bottom seal
- All feature four-way adjustable strike plate mounting for latchbolt and deadbolt
- All come with a Eco-V™ snap-in cover strip to conceal the cutout and cover the mounting screws
- Astragal stock lengths are 80", 84", 96" and 120"
- A standard deadbolt punchout is ¾" x 4" at 40" on center Punchout supplied on request only
- For non-stock astragals, specify deadbolt punchout size and center distance from top end
- Specify handing using the handing chart on page 181 or 184

## Handing Chart For Astragals (For pages 169 thru 171)

- An astragal is handed by the hand of the active door. The hand of the active door is determined by the position of the hinges on the door, when viewed from the outside (the key side)



## Slimline style with slide bolt 3493\_V

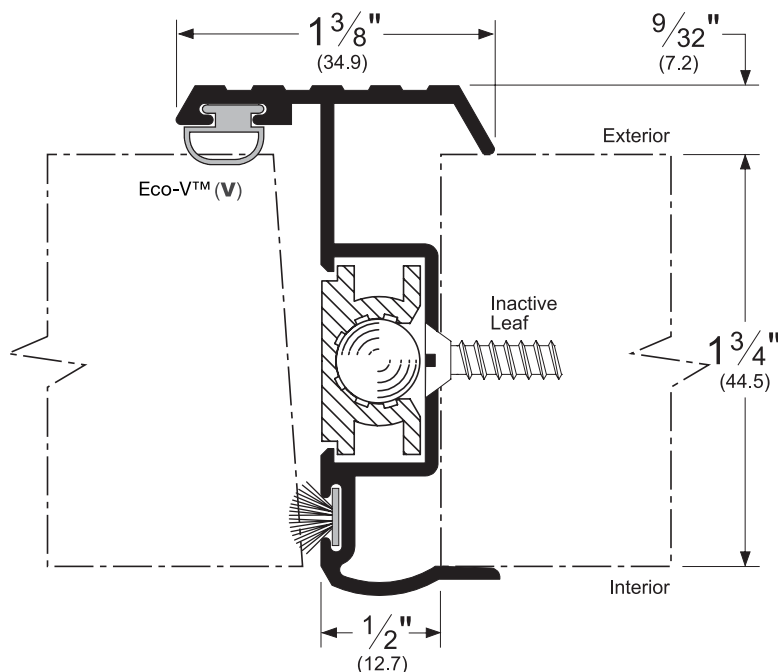
REPLACEMENT INSERT: **EV41 (BL, W)**  
AVAILABLE FINISHES:  
**C, G, D, BSP, WSP**

- **3493** also available with 18" slide bolt (at additional cost) for easier access (specify "L" at the end of the product number for this option i.e. **3493\_VL**)

## Slimline style with locking spring bolt 3494\_V

REPLACEMENT INSERT: **EV41 (BL, W)**  
AVAILABLE FINISHES:  
**C, G, D, BSP, WSP**

## Slimline Style



AVAILABLE FINISHES FOR PRODUCTS SHOWN ON THIS PAGE  
**C** (Clear Anodized) **D** (Dark Bronze Anodized) **G** (Gold Anodized) **PW** (White)

800-824-3018 | [www.pemko.com](http://www.pemko.com)  
Check the web site for the up-to-date catalog

Copyright © 2015-2025, ASSA ABLOY Accessories and Door Controls Group, Inc., an ASSA ABLOY Group company. All rights reserved.  
Reproduction in whole or in part without the express written permission of ASSA ABLOY Accessories and Door Controls Group, Inc. is prohibited.

**PEMKO**  
**ASSA ABLOY**

Experience a safer  
and more open world

# LOCKING ASTRAGALS

## Colonial Style

Colonial style with slide bolt

3495\_M

REPLACEMENT INSERT: **MAG349 (D)**

3495\_Q

REPLACEMENT INSERT: **Q102 (D, W)**

AVAILABLE FINISHES: **C, D, PW**

• 3495 available with 18" aluminum bar; specify "L" at the end of product number (i.e. 3495\_Q96L)

Colonial style with locking spring bolt

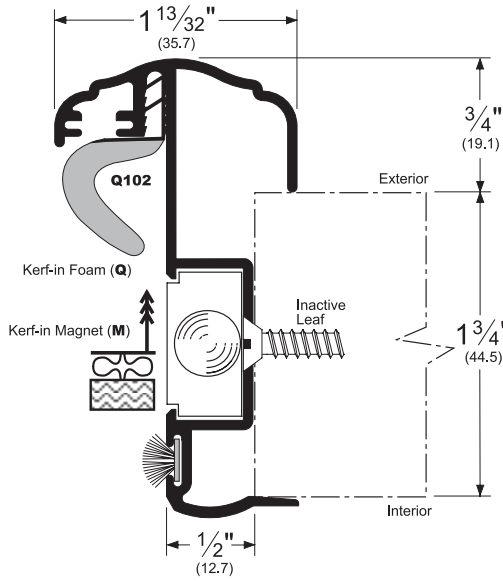
3496\_M

REPLACEMENT INSERT: **MAG349 (D)**

3496\_Q

REPLACEMENT INSERT: **Q102 (D, W)**

AVAILABLE FINISHES: **C, D, G, PW**



**Q108\_**  
 AVAILABLE FINISHES:  
**BL**  
 Available with Q108 insert only upon request

AVAILABLE FINISHES FOR PRODUCTS SHOWN ON THIS PAGE  
**C** (Clear Anodized) **D** (Dark Bronze Anodized) **G** (Gold Anodized)  
**PW** (White) Kerf Colors: **BL** (Black) **D** (Dark Brown) **W** (White)



Experience a safer  
 and more open world

# PEMKO BRUSH GASKETING



## CONTENTS:

180° Aluminum Retainers .....	160
180° Concealed Fastener Retainers.....	161
90° Aluminum Retainers .....	162
45° Concealed Fastener Retainers.....	162
Mortise Retainers .....	164
Aluminum Retainer with Rain Drip.....	164
Oak Retainers .....	164
Meeting Stiles.....	165

NOTE: For Automatic Door Bottoms with Nylon Brush seals, please see Automatic Door Bottom catalog section.

## INDEX:

<u>PRODUCT</u>	<u>PAGE</u>	<u>PRODUCT</u>	<u>PAGE</u>	<u>PRODUCT</u>	<u>PAGE</u>
345 .....	164	18100.....	161	45061.....	163
3452.....	164	18100W.....	164	45062.....	163
5025.....	164	18137.....	160	45100.....	163
5041.....	164	18175.....	160	45137.....	163
5061.....	164	18250.....	160	45175.....	163
5100.....	164	18400.....	160	45250.....	163
18041.....	161	29324.....	161	45400.....	163
18041.....	165	29324.....	165	90041.....	162
18050.....	161	29326.....	161	90062.....	162
18061.....	161	29326.....	165	90100.....	162
18061.....	165	29344.....	162	90137.....	162
18062.....	161	29346.....	162	293100.....	161
18062W.....	164	45041.....	163		

NOTE: For Automatic Door Bottoms with Nylon Brush seals, please see Automatic Door Bottom catalog section.

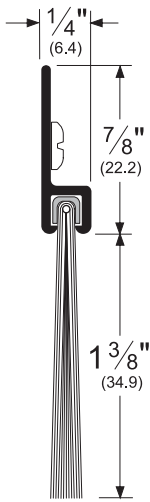
# 180° ALUMINUM RETAINERS

- All brush seals consist of densely compressed nylon filaments encased in a high quality aluminum retainer. These products are ideally suited for hollow metal and wood door applications. Also use Pemko's brush weatherstripping product on overhead, section, sliding, and automatic doors
- All brush seals reduce the infiltration of light, air, wind, rain, and snow; prevent heat loss; and control the penetration of smoke and fumes

- Brush remains flexible down to -40°F and has a melting point above 400°F
- UV stable, dependable, long-lasting, cost-effective
- Punched with slotted holes for adjustment (except 35° angle types which are drilled with 1/8" hole)
- Naturally repels rodents and spiders; can be sprayed with household pest repellent for additional pest control

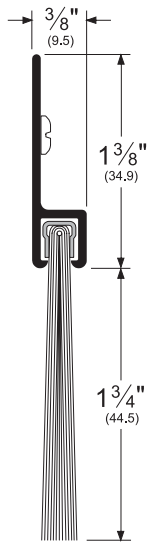
## 18137\_NB

AVAILABLE FINISHES:  
**10BE, BSP, C, D, G, PW, WSP**  
 REPLACEMENT INSERT:  
**P38137 (BL, GR, W)**  
 ANSI: **R3A434**



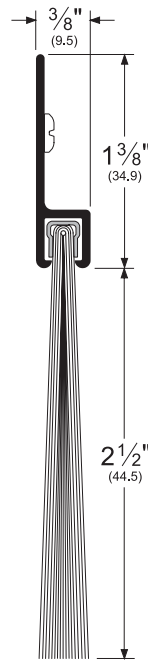
## 18175\_NB

AVAILABLE FINISHES:  
**10BE, BSP, C, D, WSP**  
 REPLACEMENT INSERT:  
**P58175 (BL, GR)**  
 ANSI: **R3A434**



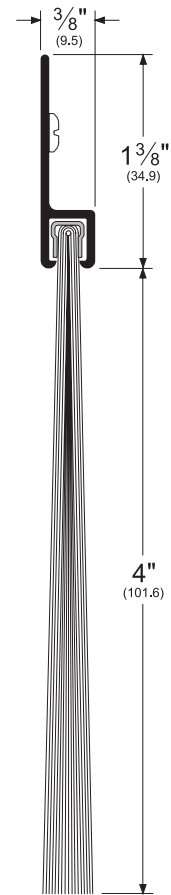
## 18250\_NB

AVAILABLE FINISHES:  
**10BE, BSP, C, D, WSP**  
 REPLACEMENT INSERT:  
**P58250 (BL, GR)**  
 ANSI: **R3A434**



## 18400\_NB

AVAILABLE FINISHES:  
**10BE, BSP, C, D, WSP**  
 REPLACEMENT INSERT:  
**P58400 (BL, GR)**  
 ANSI: **R3A434**



NOTE: Products shown in this section may not be drawn to scale.

AVAILABLE FINISHES FOR PRODUCTS SHOWN ON THIS PAGE

**10BE** (Satin Bronze Powder Coat) **BSP** (Black Suede Powder Coat) **C** (Clear Anodized)  
**D** (Dark Bronze Anodized) **G** (Gold Anodized) **PW** (Painted White) **WSP** (White Suede Powder Coat)

800-824-3018 | [www.pemko.com](http://www.pemko.com)

Check the web site for the up-to-date catalog

**PEMKO**  
**ASSA ABLOY**

Experience a safer  
 and more open world



## 180° ALUMINUM RETAINERS (Cont.)

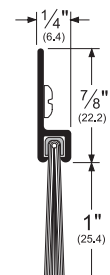
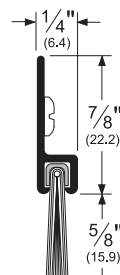
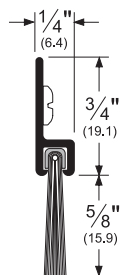
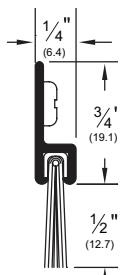
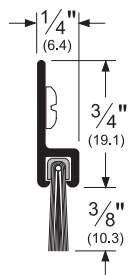
**18041\_NB**  
 AVAILABLE FINISHES:  
**10BE, BSP, C, D, G, PW, SN, WSP**  
 REPLACEMENT INSERT:  
**P516041 (BL, GR)**  
 ANSI: **R3A134, R3A164, R3A734**

**18050\_NB**  
 AVAILABLE FINISHES:  
**10BE, BSP, C, D, G, PW, SN, WSP**  
 REPLACEMENT INSERT:  
**P516050 (BL, GR)**  
 ANSI: **R3A434, R3A734**

**18061\_NB**  
 AVAILABLE FINISHES:  
**10BE, BSP, C, D, G, PW, SN, WSP**  
 REPLACEMENT INSERT:  
**P516062 (BL, GR, W)**  
 ANSI: **R3A434, R3A734**

**18062\_NB**  
 AVAILABLE FINISHES:  
**10BE, BSP, C, D, G, PW, WSP**  
 REPLACEMENT INSERT:  
**P38062 (BL, GR, W)**  
 ANSI: **R3A434**

**18100\_NB**  
 AVAILABLE FINISHES:  
**10BE, BSP, C, D, G, PW, WSP**  
 REPLACEMENT INSERT:  
**P38100 (BL, GR)**  
 ANSI: **R3A434**



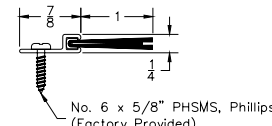
### Alternate Inserts For 18041

**18041\_SB**  
 AVAILABLE FINISHES: **10BE, BSP, C, D, G, PW, SN, WSP**  
 REPLACEMENT INSERT: **P3 (BL, GR)**



### Alternate Insert For 18100

**18100\_NBE**  
 AVAILABLE FINISHES: **BSP, C, D, G, WSP**  
 REPLACEMENT INSERT: **P38100E (BL)**  
 ANSI: **R3A434**



## 180° CONCEALED FASTENER RETAINERS

- Aluminum snap cover conceals mounting screws to provide a clean aesthetic appearance
- Replacement snap cover is item \_29316; when ordering, identify finish and length
- Cover snaps securely into place to deter vandalism

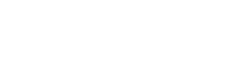
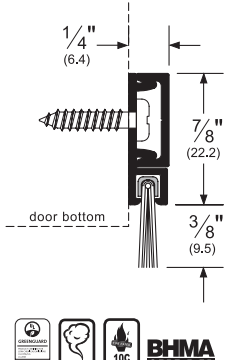
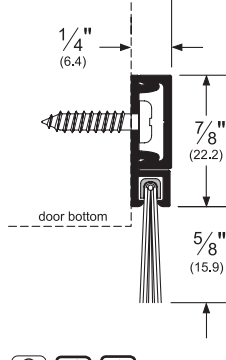
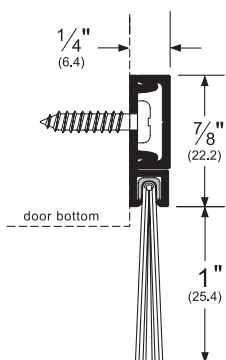
**293100\_NB**  
 AVAILABLE FINISHES:  
**10BE, BSP, C, D, WSP**  
 REPLACEMENT INSERT:  
**P516100 (BL, GR, W)**  
 ANSI: **R3A434**

**29326\_NB**  
 AVAILABLE FINISHES:  
**10BE, BSP, C, D, G, WSP**  
 REPLACEMENT INSERT:  
**P516062 (BL, GR, W)**  
 ANSI: **R3A434**

**29324\_NB**  
 AVAILABLE FINISHES:  
**10BE, BSP, C, D, G, WSP**  
 REPLACEMENT INSERT:  
**P516041 (BL, GR)**  
 ANSI: **R3A434**

### Alternate Insert For 29324

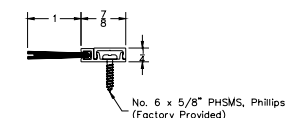
**29324\_SB**  
 AVAILABLE FINISHES: **10BE, BSP, C, D, WSP**  
 REPLACEMENT INSERT: **P3 (BL, GR)**



### Alternate Inserts For 293100

**293100\_V**  
 AVAILABLE FINISHES: **C, D**  
 REPLACEMENT INSERT:  
**EV54 (BL, GR, W)**

**293100\_NBE**  
 AVAILABLE FINISHES: **BSP, C, D, G, WSP**  
 REPLACEMENT INSERT: **P516100E (BL)**



NOTE: Products shown in this section may not be drawn to scale.

#### AVAILABLE FINISHES FOR PRODUCTS SHOWN ON THIS PAGE

**10BE** (Satin Bronze Powder Coat) **BSP** (Black Suede Powder Coat) **C** (Clear Anodized)  
**D** (Dark Bronze Anodized) **G** (Gold Anodized) **PW** (Painted White) **SN** (Satin Nickel Anodized)  
**WSP** (White Suede Powder Coat)

800-824-3018 | www.pemko.com

Check the web site for the up-to-date catalog

Copyright © 2015-2025, ASSA ABLOY Accessories and Door Controls Group, Inc., an ASSA ABLOY Group company. All rights reserved.  
 Reproduction in whole or in part without the express written permission of ASSA ABLOY Accessories and Door Controls Group, Inc. is prohibited.

**PEMKO**  
**ASSA ABLOY**

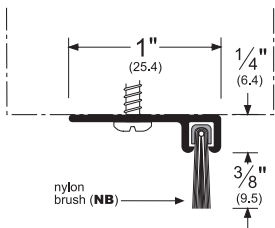
Experience a safer  
 and more open world

## 90° ALUMINUM RETAINERS

- Design permits use as a concealed seal for many applications
- Slotted holes for easy adjustment

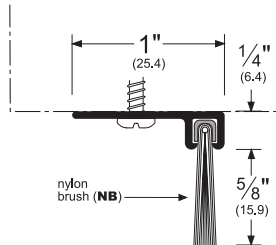
### 90041\_NB

AVAILABLE FINISHES: **10BE, BSP, C, D, WSP**  
 REPLACEMENT INSERT: **P516041 (BL, GR, W)**  
 ANSI: **R3A164, R3A414**



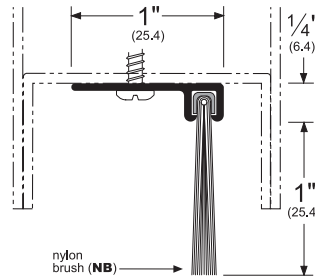
### 90062\_NB

AVAILABLE FINISHES: **10BE, BSP, C, D, WSP**  
 REPLACEMENT INSERT: **P516062 (BL, GR, W)**  
 ANSI: **R3A164, R3A414**



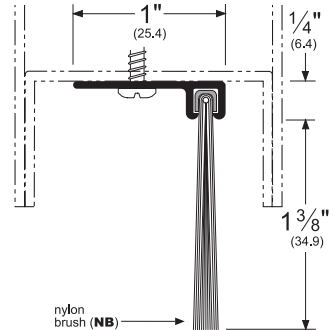
### 90100\_NB

AVAILABLE FINISHES: **10BE, BSP, C, D, WSP**  
 REPLACEMENT INSERT: **P516100 (BL, GR, W)**  
 ANSI: **R3A414**



### 90137\_NB

AVAILABLE FINISHES: **10BE, BSP, C, D, WSP**  
 REPLACEMENT INSERT: **P516137 (BL, GR, W)**  
 ANSI: **R3A414**



#### Alternate Insert For 90041

### 90041\_SB

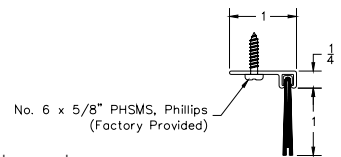
AVAILABLE FINISHES: **10BE, BSP, C, D, WSP**  
 REPLACEMENT INSERT: **P3 (BL, GR)**



#### Alternate Insert For 90100

### 90100\_NBE

AVAILABLE FINISHES: **BSP, C, D, WSP**  
 REPLACEMENT INSERT: **P516100E (BL)**  
 ANSI: **R3A414**



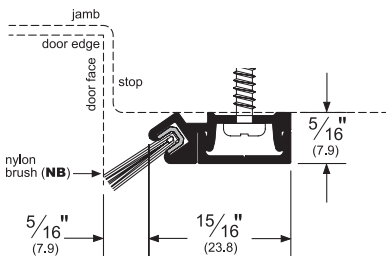
- For hollow metal doors with inverted channel

## 45° CONCEALED FASTENER RETAINERS

- Replacement snap cover is item \_29316-
- When ordering, identify finish and length

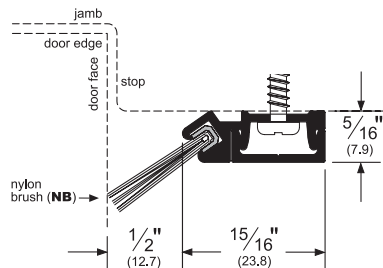
### 29344\_NB

AVAILABLE FINISHES: **10BE, BSP, C, D, WSP**  
 REPLACEMENT INSERT: **P516041 (BL, GR)**  
 ANSI: **R3A164**



### 29346\_NB

AVAILABLE FINISHES: **10BE, BSP, C, D, WSP**  
 REPLACEMENT INSERT: **P516062 (BL, GR, W)**  
 ANSI: **R3A164**



#### Alternate Insert For 29344

### 29344\_SB

AVAILABLE FINISHES: **10BE, BSP, C, D, WSP**  
 REPLACEMENT INSERT: **P3 (BL, GR)**



NOTE: Products shown in this section may not be drawn to scale.

AVAILABLE FINISHES FOR PRODUCTS SHOWN ON THIS PAGE

**10BE** (Satin Bronze Powder Coat) **BSP** (Black Suede Powder Coat) **C** (Clear Anodized)  
**D** (Dark Bronze Anodized) **WSP** (White Suede Powder Coat)

**PEMKO**  
**ASSA ABLOY**

Experience a safer  
 and more open world

800-824-3018 | www.pemko.com  
 Check the web site for the up-to-date catalog

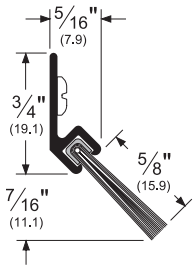
Copyright © 2015-2025, ASSA ABLOY Accessories and Door Controls Group, Inc., an ASSA ABLOY Group company. All rights reserved.  
 Reproduction in whole or in part without the express written permission of ASSA ABLOY Accessories and Door Controls Group, Inc. is prohibited.

# 45° ALUMINUM RETAINERS

• Slotted holes for easy adjustment

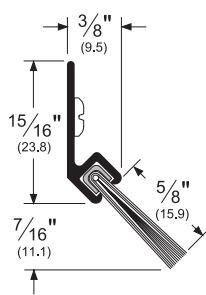
## 45061\_NB

AVAILABLE FINISHES:  
**10BE, BSP, C, D, WSP**  
REPLACEMENT INSERT:  
**P516062 (BL, GR, W)**  
ANSI: **R3A164**



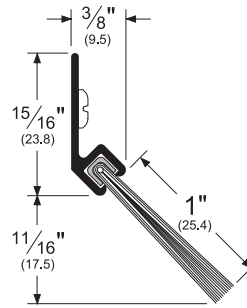
## 45062\_NB

AVAILABLE FINISHES:  
**10BE, BSP, C, D, WSP**  
REPLACEMENT INSERT:  
**P38062 (BL, GR, W)**  
ANSI: **R3A164**



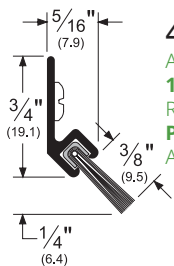
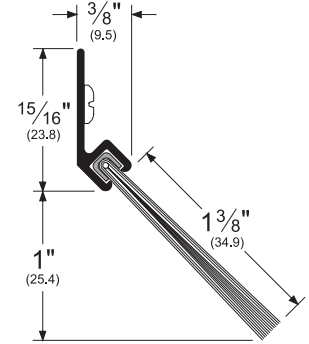
## 45100\_NB

AVAILABLE FINISHES:  
**10BE, BSP, C, D, WSP**  
REPLACEMENT INSERT:  
**P38100 (BL, GR)**  
ANSI: **R3A164**



## 45137\_NB

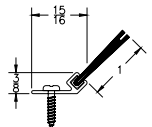
AVAILABLE FINISHES:  
**10BE, BSP, C, D, WSP**  
REPLACEMENT INSERT:  
**P58137 (BL, GR, W)**  
ANSI: **R3A164**



## 45041\_NB

AVAILABLE FINISHES:  
**10BE, BSP, C, D, WSP**  
REPLACEMENT INSERT:  
**P516041 (BL, GR)**  
ANSI: **R3A164**

### Alternate Insert For 45100



No. 6 x 5/8" PHSMS, Phillips  
(Factory Provided)



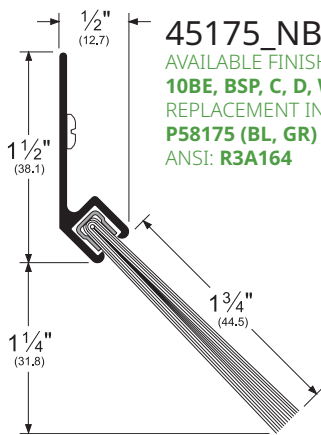
## 45100\_NBE

AVAILABLE FINISHES:  
**10BE, BSP, C, D, WSP**  
REPLACEMENT INSERT:  
**P38100E (BL)**  
ANSI: **R3A164**

### Alternate Insert For 45041

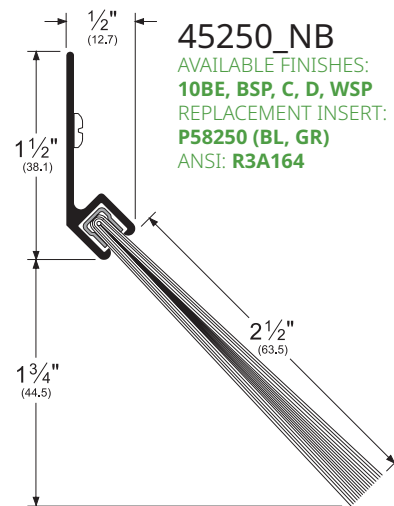
## 45041\_SB

AVAILABLE FINISHES:  
**10BE, BSP, C, D, WSP**  
REPLACEMENT INSERT:  
**P3 (BL, GR)**



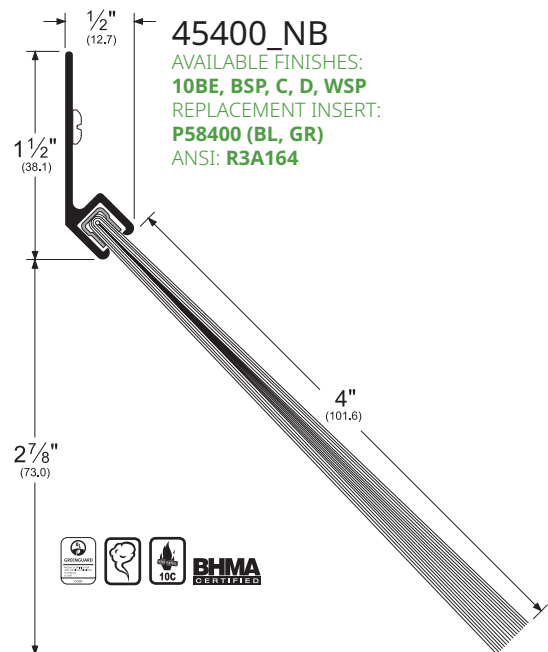
## 45175\_NB

AVAILABLE FINISHES:  
**10BE, BSP, C, D, WSP**  
REPLACEMENT INSERT:  
**P58175 (BL, GR)**  
ANSI: **R3A164**



## 45250\_NB

AVAILABLE FINISHES:  
**10BE, BSP, C, D, WSP**  
REPLACEMENT INSERT:  
**P58250 (BL, GR)**  
ANSI: **R3A164**



## 45400\_NB

AVAILABLE FINISHES:  
**10BE, BSP, C, D, WSP**  
REPLACEMENT INSERT:  
**P58400 (BL, GR)**  
ANSI: **R3A164**

NOTE: Products shown in this section may not be drawn to scale.

AVAILABLE FINISHES FOR PRODUCTS SHOWN ON THIS PAGE

**10BE** (Satin Bronze Powder Coat) **BSP** (Black Suede Powder Coat) **C** (Clear Anodized)

**D** (Dark Bronze Anodized) **WSP** (White Suede Powder Coat)

800-824-3018 | www.pemko.com

Check the web site for the up-to-date catalog

Copyright © 2015-2025, ASSA ABLOY Accessories and Door Controls Group, Inc., an ASSA ABLOY Group company. All rights reserved.  
Reproduction in whole or in part without the express written permission of ASSA ABLOY Accessories and Door Controls Group, Inc. is prohibited.

**PEMKO**  
**ASSA ABLOY**

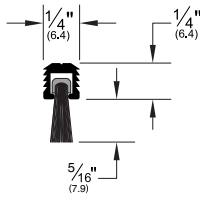
Experience a safer  
and more open world

# MORTISE RETAINERS

- The ultimate design for concealed weatherstrip needs
- Can be used on doors, windows and more

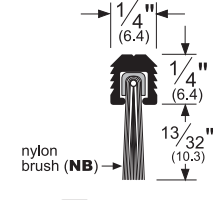
## 5025\_NB

AVAILABLE FINISH: **A**  
REPLACEMENT INSERT:  
**P14025 (BL, GR)**



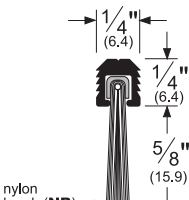
## 5041\_NB

AVAILABLE FINISH: **A**  
REPLACEMENT INSERT:  
**P516041 (BL, GR)**



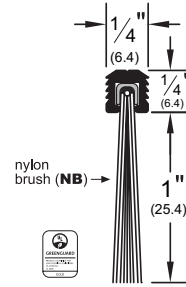
## 5061\_NB

AVAILABLE FINISH: **A**  
REPLACEMENT INSERT:  
**P516062 (BL, GR, W)**



## 5100\_NB

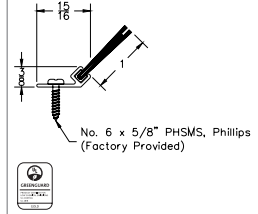
AVAILABLE FINISH: **A**  
REPLACEMENT INSERT:  
**P516100 (BL, GR, W)**



### Alternate Insert For 5100

## 5100\_NBE

AVAILABLE FINISH: **A**  
REPLACEMENT INSERT:  
**P516100E (BL)**



Alternate Insert For 5025 and 5041

**5025\_SB**  
AVAILABLE FINISHES: **A**  
REPLACEMENT INSERT:  
**SB14025 (BL)**

**5041\_SB**  
AVAILABLE FINISHES: **A**  
REPLACEMENT INSERT:  
**P3 (BL, GR)**



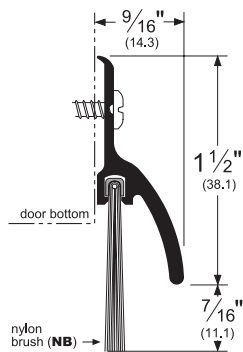
soft brush (SB)

# ALUMINUM RETAINER WITH RAIN DRIP

- Slotted holes for easy adjustment

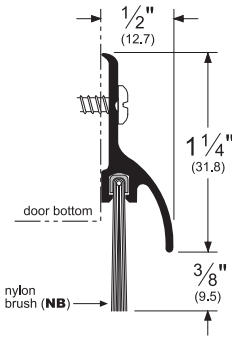
## 345\_NB

AVAILABLE FINISHES:  
**10BE, A, BSP, D, G, WSP**  
REPLACEMENT INSERT:  
**P14100 (BL, GR)**  
ANSI: **R3A534**



## 3452\_NB

AVAILABLE FINISHES:  
**10BE, A, BSP, D, G, WSP**  
REPLACEMENT INSERT:  
**P14075 (BL, GR)**  
ANSI: **R3A534**

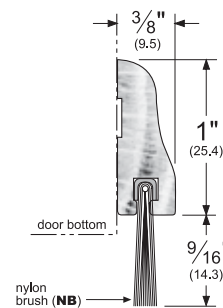


# OAK RETAINERS 36" WIDE

- These products have 1/8" drilled fastener holes

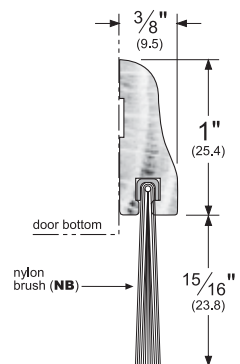
## 18062WNB

AVAILABLE FINISH: **W**  
REPLACEMENT INSERT:  
**P516062 (BL, GR, W)**



## 18100WNB

AVAILABLE FINISH: **W**  
REPLACEMENT INSERT:  
**P516100 (BL, GR)**



NOTE: Products shown in this section may not be drawn to scale.

AVAILABLE FINISHES FOR PRODUCTS SHOWN ON THIS PAGE

**10BE** (Satin Bronze Powder Coat) **A** (Mill Finish Aluminum) **BSP** (Black Suede Powder Coat) **C** (Clear Anodized) **D** (Dark Bronze Anodized) **G** (Gold Anodized) **W** (Unfinished Solid Oak) **WSP** (White Suede Powder Coat)



Experience a safer and more open world

800-824-3018 | www.pemko.com  
Check the web site for the up-to-date catalog

Copyright © 2015-2025, ASSA ABLOY Accessories and Door Controls Group, Inc., an ASSA ABLOY Group company. All rights reserved. Reproduction in whole or in part without the express written permission of ASSA ABLOY Accessories and Door Controls Group, Inc. is prohibited.

## MEETING STILES

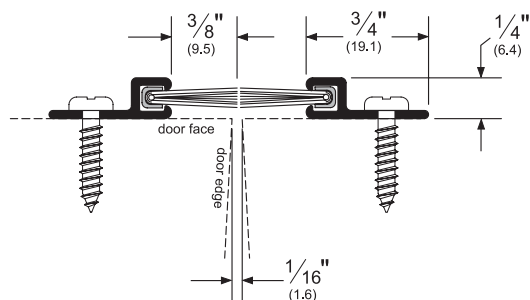
- Astragals and Meeting Stiles with a fire label may be mounted on pairs of doors wherein the gap meets the requirements of NFPA 80-2013, 6.3.1.7.1 **“The clearance between... the meeting edges of doors swinging in pairs on the pull side shall be 1/8" ± 1/16" (3.18mm ± 1.59mm) for steel doors and shall not exceed 1/8" (3.18mm) for wood doors”**

### 18041\_NB

AVAILABLE FINISHES: **10BE, BSP, C, D, G, SN, WSP**

REPLACEMENT INSERT: **P516041 (BL, GR)**

ANSI: **R3A734**

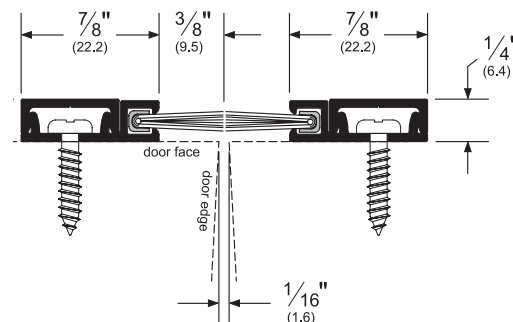


### 29324\_NB

AVAILABLE FINISHES: **10BE, BSP, C, D, G, SN, WSP**

REPLACEMENT INSERT: **P516041 (BL, GR)**

ANSI: **R3A434, R3A435**



Alternate Insert For 18041

### 18041\_SB

AVAILABLE FINISHES

**10BE, BSP, C, D, G, SN, WSP**

REPLACEMENT INSERT: **P3 (BL, GR)**



soft brush (SB)

Alternate Insert For 29324

### 29324\_SB

AVAILABLE FINISHES:

**10BE, BSP, C, D, G, SN, WSP**

REPLACEMENT INSERT: **P3 (BL, GR)**



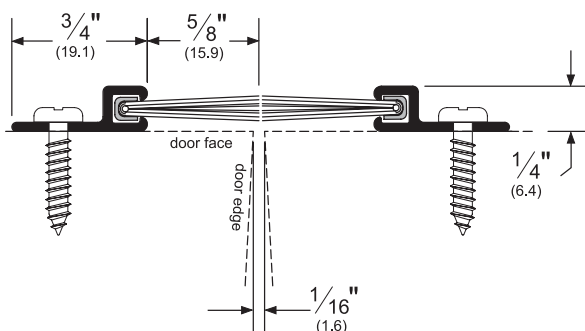
soft brush (SB)

### 18061\_NB

AVAILABLE FINISHES: **10BE, BSP, C, D, G, SN, WSP**

REPLACEMENT INSERT: **P516062 (BL, GR, W)**

ANSI: **R3A734**

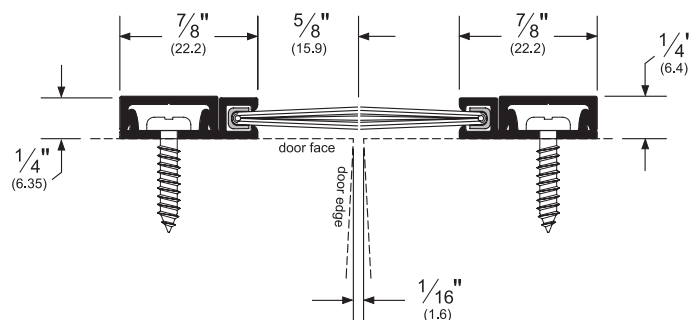


### 29326\_NB

AVAILABLE FINISHES: **10BE, BSP, C, D, G, SN, WSP**

REPLACEMENT INSERT: **P516062 (BL, GR, W)**

ANSI: **R3A764, R3A765**



NOTE: Products shown in this section may not be drawn to scale.

AVAILABLE FINISHES FOR PRODUCTS SHOWN ON THIS PAGE

**10BE** (Satin Bronze Powder Coat) **BSP** (Black Suede Powder Coat) **C** (Clear Anodized)

**D** (Dark Bronze Anodized) **G** (Gold Anodized) **SN** (Satin Nickel Anodized) **WSP** (White Suede Powder Coat)

800-824-3018 | [www.pemko.com](http://www.pemko.com)

Check the web site for the up-to-date catalog

Copyright © 2015-2025, ASSA ABLOY Accessories and Door Controls Group, Inc., an ASSA ABLOY Group company. All rights reserved. Reproduction in whole or in part without the express written permission of ASSA ABLOY Accessories and Door Controls Group, Inc. is prohibited.

**PEMKO**  
**ASSA ABLOY**

Experience a safer  
and more open world

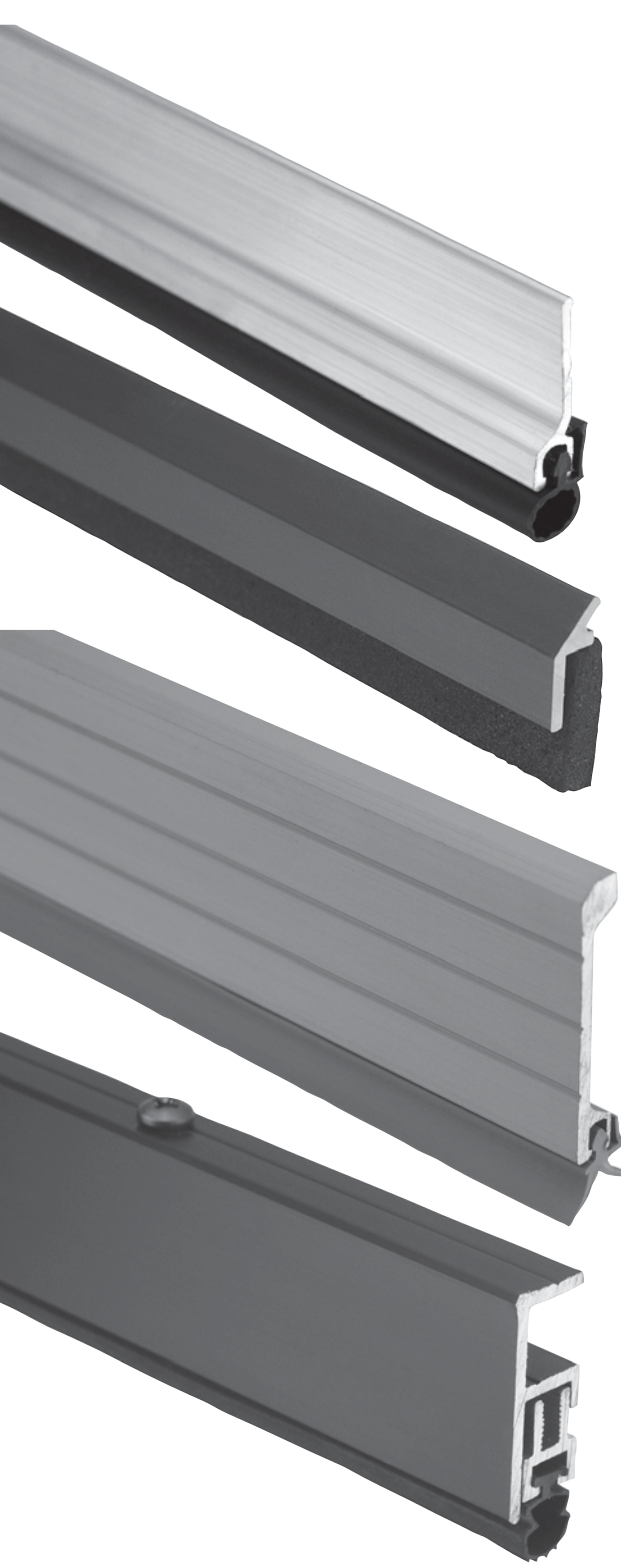
# PEMKO PERIMETER GASKETING

## CONTENTS:

Standard Perimeter Gasketing .....	167
Perimeter Gasket Solutions for Sliding Doors.....	170
Stainless Steel Perimeter Gasketing.....	171
Adjustable Jamb Gasketing.....	172
Heavy Duty Interlock Perimeter Gasketing .....	172
Heavy Duty Perimeter Gasketing - Head Section .....	173
Heavy Duty Perimeter Gasketing - Standard Jamb.....	174
Perimeter Gasket Jamb Brackets.....	174
Snap Cover Perimeter Gasketing With Concealed Fasteners.....	175
Kerf-In Weatherstrip.....	176
Magnetic Weatherstrip.....	177
Adhesive Perimeter Gasketing.....	177
MicroShield® Antimicrobial Adhesive Gasketing.....	178
Excessive Gap Perimeter Solution.....	179
Interlock Weatherstrip For Wood Windows .....	179
Interlock Weatherstrip For Wood Doors.....	180
Cushion/Spring Weatherstrip.....	180
Fasteners for Cushion, Spring and Interlock Weatherstrip .....	180
Privacy Seals for Sliding Doors.....	181

## INDEX:

PRODUCT	PAGE	PRODUCT	PAGE	PRODUCT	PAGE
2P.....	179	331 .....	180	MAG349 .....	177
4C .....	179	332 .....	168	NL1678 .....	180
4P.....	179	335 .....	172	NL1734CPXE_ .....	180
10.....	179	336 .....	172	NL13516 .....	180
30.....	180	350 .....	172	P50 .....	177
41M.....	180	375.....	168	P51B17.....	180
43.....	180	379 .....	172	PEMKOSFSET .....	181
70C-100 .....	180	394 .....	170	PK33.....	178
70D-100 .....	180	394 .....	181	PK52.....	177
70E-99 .....	180	950 .....	170	PK55.....	178
73.....	180	950 .....	181	PY900 .....	170
74 .....	180	2815_M.....	177	Q102.....	176
75.....	180	2891 .....	173	Q103.....	176
285 .....	169	2892 .....	173	Q106 .....	176
290 .....	174	2893 .....	173	Q107.....	176
294 .....	170	2902 .....	174	Q108 .....	176
296 .....	169	2903.....	174	S44 .....	177
297.....	167	3151.....	169	S52.....	176
303 .....	167	29310.....	175	S77 .....	178
305 .....	168	29313.....	175	S88 .....	177
305SS.....	171	29326.....	175	S104 .....	176
306 .....	170	29344 .....	175	S105 .....	176
309 .....	170	29346 .....	175	S109 .....	176
312.....	169	29394.....	170	S442.....	178
315.....	169	29394.....	181	S771x6.....	178
315SS.....	171	AM88 .....	178	S773.....	177
316.....	167	BKT050.....	174	S776 .....	178
319.....	168	BKT075.....	174	XG90KIT .....	179
319SS.....	171	BKT1532.....	174	XG900.....	179
322 .....	172	EZGAP™ XG10.....	179		
330 .....	169	HSS20XGxS773.....	179		



800-824-3018 | [www.pemko.com](http://www.pemko.com)

Check the web site for the up-to-date catalog

Copyright © 2015-2025, ASSA ABLOY Accessories and Door Controls Group, Inc., an ASSA ABLOY Group company. All rights reserved. Reproduction in whole or in part without the express written permission of ASSA ABLOY Accessories and Door Controls Group, Inc. is prohibited.

**PEMKO**  
**ASSA ABLOY**

Experience a safer  
and more open world

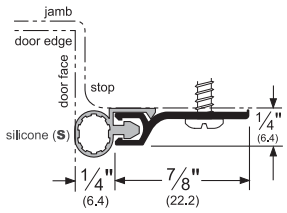
# STANDARD PERIMETER GASKETING

• Rigid jamb weatherstrip shown mounted on openings with  $\frac{1}{16}$ " gaps; however, each weatherstrip can seal gaps up to the depth of its seal. Seal depth provided on each illustration (example: the 303 has a  $\frac{1}{4}$ " seal; therefore, it can seal up to a  $\frac{1}{4}$ " gap)

• Punched on 6" centers with slotted holes for adjustment. Models 294, 303, and 306 are available with self-adhesive two-sided tape (TST) and tek screws (3 slotted holes per part) for easy installation. To obtain this option, add "TST" to the end of the part when ordering (example: 303AVTST)

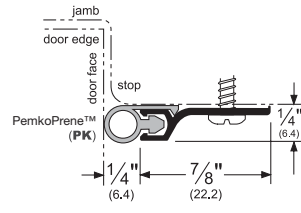
## 303\_S

AVAILABLE FINISHES:  
**10BE, A, BSP, C, D, G, PW, SN, WSP**  
 REPLACEMENT INSERT: **S3 (BL, W)**  
 ANSI: **R3E164, R3E165**



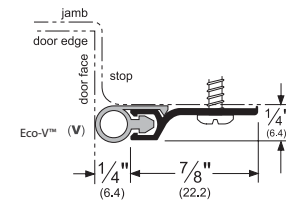
## 303\_PK

AVAILABLE FINISHES:  
**10BE, A, BSP, C, D, G, PW, SN, WSP**  
 REPLACEMENT INSERT: **PK47 (BL, GR)**  
 ANSI: **R3G164**



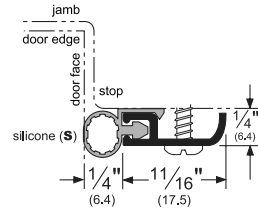
## 303\_V

AVAILABLE FINISHES:  
**10BE, A, BSP, C, D, G, PW, SN, WSP**  
 REPLACEMENT INSERT: **EV47 (BL, GR, W)**



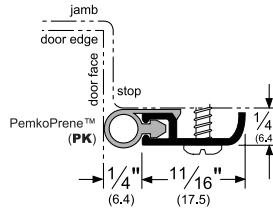
## 316\_S

AVAILABLE FINISHES:  
**10BE, A, BDG, BSP, D, G, WSP**  
 REPLACEMENT INSERT: **S3 (BL, W)**  
 ANSI: **R3E164, R3E165**



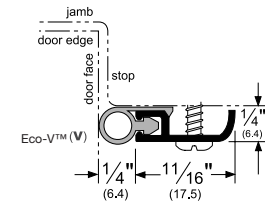
## 316\_PK

AVAILABLE FINISHES:  
**10BE, A, BDG, BSP, D, G, WSP**  
 REPLACEMENT INSERT: **PK47 (BL, GR)**  
 ANSI: **R3G164, R3G165**



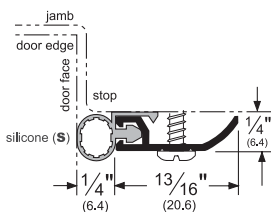
## 316\_V

AVAILABLE FINISHES:  
**10BE, A, BDG, BSP, D, G, WSP**  
 REPLACEMENT INSERT: **EV47 (BL, GR, W)**



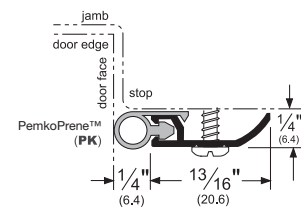
## 297\_S

AVAILABLE FINISHES:  
**10BE, A, BDG, BSP, D, PW, SN, WSP**  
 REPLACEMENT INSERT: **S3 (BL, W)**  
 ANSI: **R3E164, R3E165**



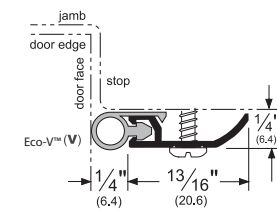
## 297\_PK

AVAILABLE FINISHES:  
**10BE, A, BDG, BSP, D, PW, SN, WSP**  
 REPLACEMENT INSERT: **PK47 (BL, GR)**  
 ANSI: **R3G164, R3G165**



## 297\_V

AVAILABLE FINISHES:  
**10BE, A, BDG, BSP, D, PW, SN, WSP**  
 REPLACEMENT INSERT: **EV47 (BL, GR, W)**



NOTE: Products shown in this section may not be drawn to scale.

AVAILABLE FINISHES FOR PRODUCTS SHOWN ON THIS PAGE

**10BE** (Satin Bronze Powder Coat) **A** (Mill Finish Aluminum) **BDG** (Bright Dip Gold Anodized)  
**BSP** (Black Suede Powder Coat) **C** (Clear Anodized) **D** (Dark Bronze Anodized) **G** (Gold Anodized)  
**PW** (Painted White) **SN** (Satin Nickel Anodized) **WSP** (White Suede Powder Coat)



Experience a safer  
and more open world

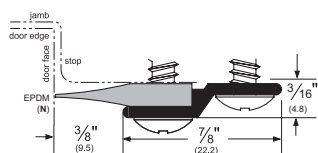
800-824-3018 | www.pemko.com  
 Check the web site for the up-to-date catalog

Copyright © 2015-2025, ASSA ABLOY Accessories and Door Controls Group, Inc., an ASSA ABLOY Group company. All rights reserved. Reproduction in whole or in part without the express written permission of ASSA ABLOY Accessories and Door Controls Group, Inc. is prohibited.

# STANDARD PERIMETER GASKETING (Cont.)

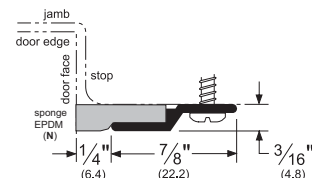
## 305\_N

AVAILABLE FINISHES:  
**10BE, B, BSP, C, D, WSP**  
 REPLACEMENT INSERT: **E2 (BL)**  
 ANSI (alum): **R3G164, R3G165**  
 ANSI (brass): **R1G164, R1G165**



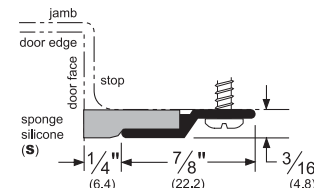
## 305\_R

AVAILABLE FINISHES:  
**10BE, B, BSP, C, D, G, WSP**  
 REPLACEMENT INSERT: **ER1 (BL)**  
 ANSI (alum): **R3G164, R3G165**  
 ANSI (brass): **R1G164, R1G165**



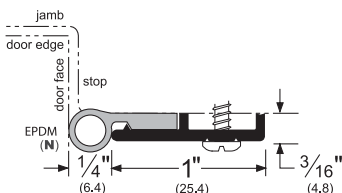
## 305\_S

AVAILABLE FINISHES:  
**10BE, B, BSP, C, D, G, WSP**  
 REPLACEMENT INSERT: **SR1 (BL)**  
 ANSI: **R3E164, R3E165**



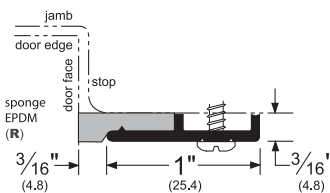
## 319\_N

AVAILABLE FINISHES: **10BE, BSP, C, D, G, WSP**  
 REPLACEMENT INSERT: **E11 (BL)**  
 ANSI: **R3G164, R3G165**



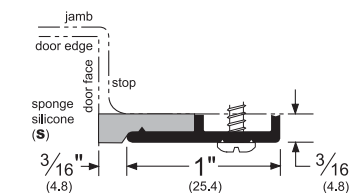
## 319\_R

AVAILABLE FINISHES: **10BE, BSP, C, D, G, WSP**  
 REPLACEMENT INSERT: **ER1 (BL)**  
 ANSI: **R3G164, R3G165**



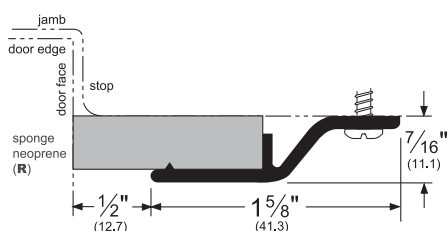
## 319\_S

AVAILABLE FINISHES: **10BE, BSP, C, D, G, WSP**  
 REPLACEMENT INSERT: **SR1 (BL)**  
 ANSI: **R3E165**



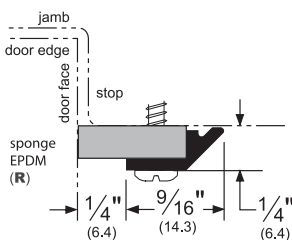
## 375\_R

AVAILABLE FINISHES:  
**10BE, BSP, C, D, G, WSP**  
 REPLACEMENT INSERT: **ER6 (BL)**  
 ANSI (alum): **R3C164, R3C165**



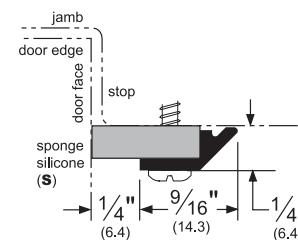
## 332\_R

AVAILABLE FINISHES:  
**10BE, BSP, C, D, WSP**  
 REPLACEMENT INSERT: **ER1 (BL)**  
 ANSI: **R3G164, R3G165**



## 332\_S

AVAILABLE FINISHES:  
**10BE, BSP, C, D, WSP**  
 REPLACEMENT INSERT: **SR1 (BL)**  
 ANSI: **R3E164, R3E165**



NOTE: Products shown in this section may not be drawn to scale.

AVAILABLE FINISHES FOR PRODUCTS SHOWN ON THIS PAGE

**10BE** (Satin Bronze Powder Coat) **A** (Mill Finish Aluminum) **B** (Mill Finish Extruded Bronze [Brass])  
**BDG** (Bright Dip Gold Anodized) **BSP** (Black Suede Powder Coat) **C** (Clear Anodized)  
**D** (Dark Bronze Anodized) **G** (Gold Anodized) **WSP** (White Suede Powder Coat)

800-824-3018 | www.pemko.com

Check the web site for the up-to-date catalog

Copyright © 2015-2025, ASSA ABLOY Accessories and Door Controls Group, Inc., an ASSA ABLOY Group company. All rights reserved.  
 Reproduction in whole or in part without the express written permission of ASSA ABLOY Accessories and Door Controls Group, Inc. is prohibited.

**PEMKO**  
**ASSA ABLOY**

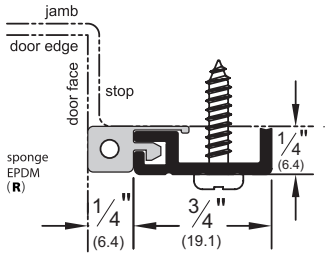
Experience a safer  
 and more open world



# STANDARD PERIMETER GASKETING (Cont.)

## 312\_R

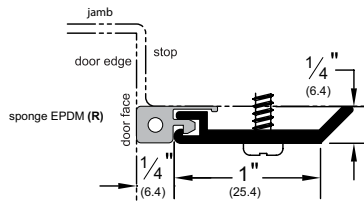
AVAILABLE FINISHES:  
**10BE, BSP, C, D, G, WSP**  
 REPLACEMENT INSERT: **ER9BL (BL)**  
 ANSI (alum): **R3G164, R3G165**



## 315\_R

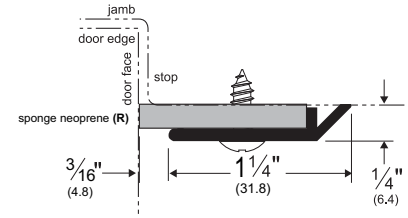
AVAILABLE FINISHES:  
**10BE, B, BSP, C, D, WSP**  
 REPLACEMENT INSERT: **ER9BL (BL)**  
 ANSI (alum): **R3G164, R3G165**

• Please consult website for correct 315BR profile.



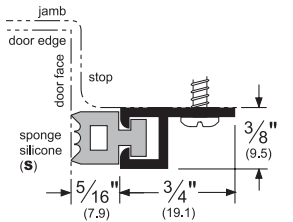
## 3151\_R

AVAILABLE FINISHES:  
**10BE, BSP, C, D, G, WSP**  
 REPLACEMENT INSERT: **ER2 (BL)**  
 ANSI (alum): **R3G164**



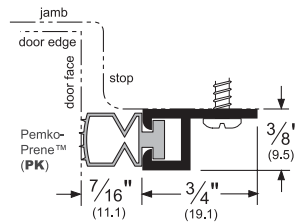
## 296\_S

AVAILABLE FINISHES:  
**10BE, BSP, C, D, WSP**  
 REPLACEMENT INSERT: **SR6 (BL)**  
 ANSI (alum): **R3E164, R3E165**



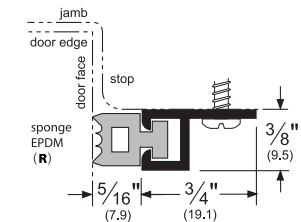
## 296\_PK

AVAILABLE FINISHES:  
**10BE, BSP, C, D, WSP**  
 REPLACEMENT INSERT: **PK4132 (BL)**  
 ANSI (alum): **R3G164, R3G165**



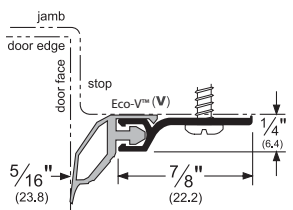
## 296\_R

AVAILABLE FINISHES:  
**10BE, BSP, C, D, WSP**  
 REPLACEMENT INSERT: **E7 (BL)**  
 ANSI (alum): **R3G164, R3G165**



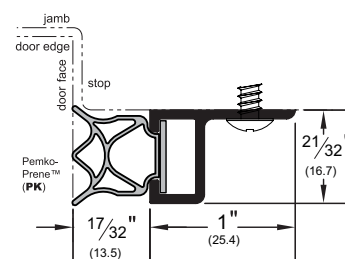
## 330\_V

AVAILABLE FINISHES:  
**10BE, A, BSP, D, SN, WSP**  
 REPLACEMENT INSERT: **EV61 (BL, GR)**



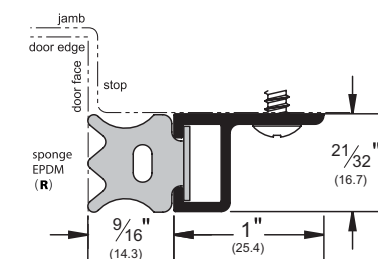
## 285\_PK

AVAILABLE FINISHES:  
**10BE, BSP, C, D, G, WSP**  
 REPLACEMENT INSERT: **PK4304 (BL)**  
 ANSI (alum): **R3G164, R3G165**



## 285\_R

AVAILABLE FINISHES:  
**10BE, BSP, C, D, G, WSP**  
 REPLACEMENT INSERT: **E4303 (BL)**  
 ANSI (alum): **R3G166**



NOTE: Products shown in this section may not be drawn to scale.

AVAILABLE FINISHES FOR PRODUCTS SHOWN ON THIS PAGE

**10BE** (Satin Bronze Powder Coated Aluminum) **A** (Mill Finish Aluminum) **B** (Mill Finish Extruded Bronze [Brass])  
**BSP** (Black Suede Powder Coated Aluminum) **C** (Clear Anodized) **D** (Dark Bronze Anodized)  
**G** (Gold Anodized) **SN** (Satin Nickel Anodized) **WSP** (White Suede Powder Coated Aluminum)

**PEMKO**  
**ASSA ABLOY**

Experience a safer  
 and more open world

800-824-3018 | www.pemko.com  
 Check the web site for the up-to-date catalog

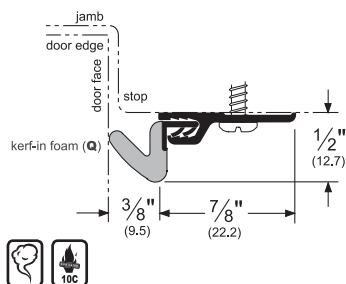
Copyright © 2015-2025, ASSA ABLOY Accessories and Door Controls Group, Inc., an ASSA ABLOY Group company. All rights reserved.  
 Reproduction in whole or in part without the express written permission of ASSA ABLOY Accessories and Door Controls Group, Inc. is prohibited.

# STANDARD PERIMETER GASKETING (Cont.)

## 306\_Q

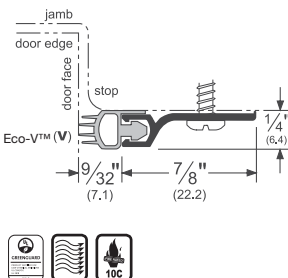
AVAILABLE FINISHES: **10BE, A, BSP, D, WSP**  
 REPLACEMENT INSERT: **Q103 (D, W, BL)**

- Minimum space between the door face and the stop is  $\frac{3}{16}$ " ; maximum space is  $\frac{5}{16}$ "
- Note insert color when ordering:  
 Dark Brown (D) or White (W)



## 306\_V

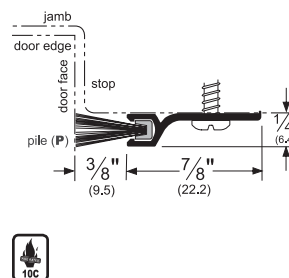
AVAILABLE FINISHES:  
**10BE, A, BSP, D, WSP**  
 REPLACEMENT INSERT: **EV59 (BL, GR)**



## 309\_P

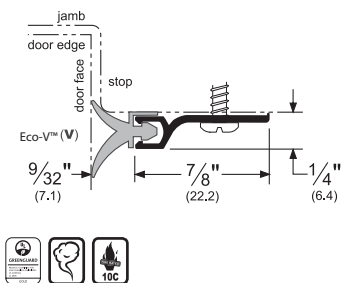
AVAILABLE FINISHES: **10BE, A, BSP, D, WSP**  
 REPLACEMENT INSERT: **P3 (BL, GR)**

- Minimum space between the door face and the stop is  $\frac{3}{16}$ " ; maximum space is  $\frac{5}{16}$ "
- May also be used as a door bottom sweep



## 294\_V

AVAILABLE FINISHES:  
**10BE, A, BSP, D, PW, SN, WSP**  
 REPLACEMENT INSERT: **EV60 (GR)**



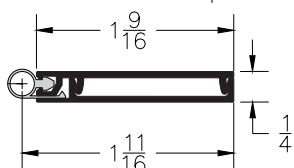
# PERIMETER GASKET SOLUTIONS FOR SLIDING DOORS

- For Seal Set information, please see sets outlined on page 202

## 29394\_PK

AVAILABLE FINISHES: **10BE, BSP, C, D, WSP**  
 REPLACEMENT INSERT: **PK47 (GR, BL)**

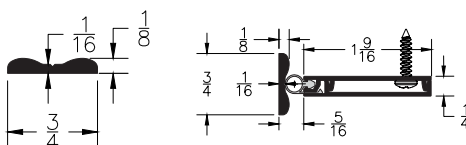
- Perimeter sealing, used with 394 wall-mounted ramp



## 394

AVAILABLE FINISHES:  
**10BE, BSP, C, D, WSP**

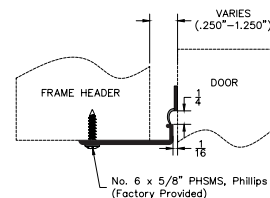
- Wall-mounted ramp used with 29394\_PK



## 950

AVAILABLE FINISHES:  
**10BE, BSP, C, D, WSP**  
 REPLACEMENT INSERT: **PY900 (BL)**

- Head mounted sealing system



NOTE: Products shown in this section may not be drawn to scale.

AVAILABLE FINISHES FOR PRODUCTS SHOWN ON THIS PAGE

**10BE** (Satin Bronze Powder Coated Aluminum) **A** (Mill Finish Aluminum)  
**BSP** (Black Suede Powder Coated Aluminum) **C** (Clear Anodized) **D** (Dark Bronze Anodized)  
**PW** (Painted White) **SN** (Satin Nickel Anodized) **WSP** (White Suede Powder Coated Aluminum)

800-824-3018 | www.pemko.com

Check the web site for the up-to-date catalog

Copyright © 2015-2025, ASSA ABLOY Accessories and Door Controls Group, Inc., an ASSA ABLOY Group company. All rights reserved. Reproduction in whole or in part without the express written permission of ASSA ABLOY Accessories and Door Controls Group, Inc. is prohibited.

**PEMKO**  
**ASSA ABLOY**

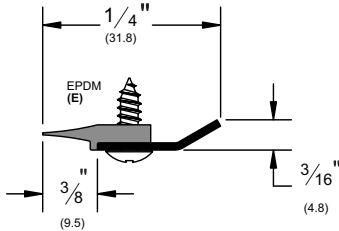
Experience a safer  
 and more open world

# STAINLESS STEEL PERIMETER GASKETING

- Stainless Steel is a tough and durable material that tolerates exposure to chemicals and heavy use
- Easy to clean to meet sanitary requirements
- Manufactured from 430 Stainless Steel
- Long lasting with low cost of ownership

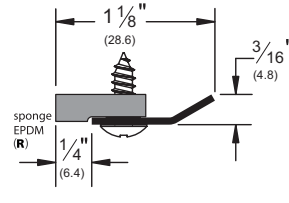
## 305SSE

AVAILABLE FINISH: **SS (#4 Finish)**  
 REPLACEMENT INSERT: **E2 (BL)**  
 ANSI: **R5G164, R5G165**



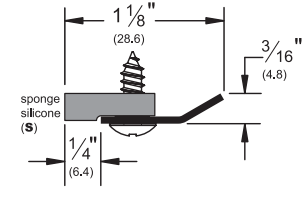
## 305SSR

AVAILABLE FINISH: **SS (#4 Finish)**  
 REPLACEMENT INSERT: **ER1 (BL)**  
 ANSI: **R5G164, R5G165**



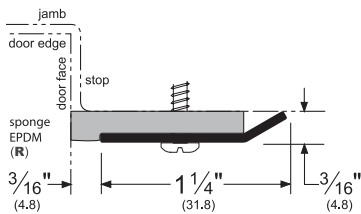
## 305SSS

AVAILABLE FINISH: **SS (#4 Finish)**  
 REPLACEMENT INSERT: **SR1 (BL)**  
 ANSI: **R5E164, R5E165**



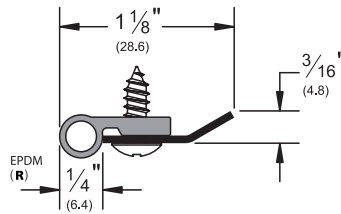
## 315SSR

AVAILABLE FINISH: **SS (#4 Finish)**  
 REPLACEMENT INSERT: **ER2 (BL)**  
 ANSI: **R5G164, R5G165**



## 319SSN

AVAILABLE FINISH: **SS (#4 Finish)**  
 REPLACEMENT INSERT: **E11 (BL)**  
 ANSI: **R5G164, R5G165**



NOTE: Products shown in this section may not be drawn to scale.

AVAILABLE FINISHES FOR PRODUCTS SHOWN ON THIS PAGE  
**SS (#4 Brushed Finish)**

**PEMKO**  
**ASSA ABLOY**

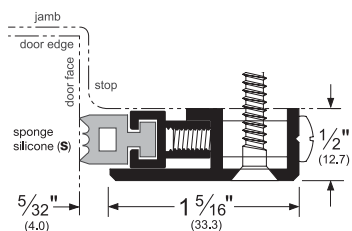
Experience a safer  
 and more open world

# ADJUSTABLE JAMB GASKETING

- Adjustable jamb gasketing is shown mounted on openings with  $\frac{1}{16}$ " gaps; however, each weatherstrip can seal gaps up to  $\frac{1}{4}$ "
- Adjustable jamb weatherstrip can adjust  $\frac{3}{16}$ " out from the position illustrated

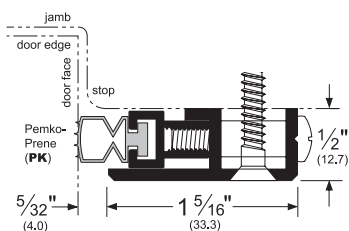
## 379\_S

AVAILABLE FINISHES: **10BE, BSP, C, D, G, WSP**  
 REPLACEMENT INSERT: **SR6 (BL)**  
 ANSI: **R3E264, R3E265**



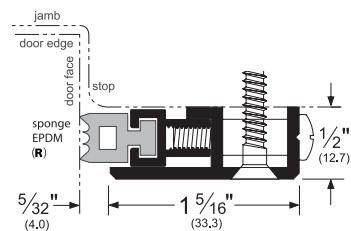
## 379\_PK

AVAILABLE FINISHES: **10BE, BSP, C, D, G, WSP**  
 REPLACEMENT INSERT: **PK4132 (BL)**  
 ANSI: **R3G264, R3G265**



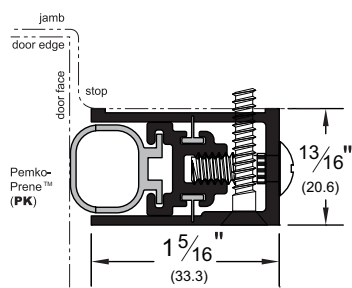
## 379\_R

AVAILABLE FINISHES: **10BE, BSP, C, D, G, WSP**  
 REPLACEMENT INSERT: **E7 (BL)**  
 ANSI: **R3G264, R3G265**



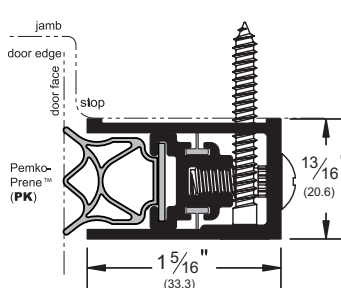
## 322\_SPK

AVAILABLE FINISHES: **10BE, BSP, C, D, WSP**  
 REPLACEMENT INSERT: **PK121 (BL)**



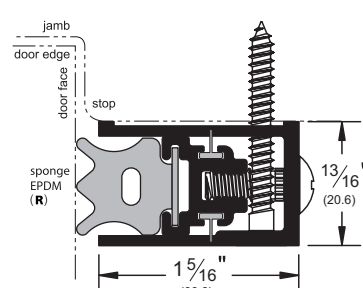
## 350\_SPK

AVAILABLE FINISHES: **10BE, BSP, C, D, WSP**  
 REPLACEMENT INSERT: **PK4304 (BL)**  
 ANSI: **R3G164, R3G165**



## 350\_SR

AVAILABLE FINISHES: **10BE, BSP, C, D, WSP**  
 REPLACEMENT INSERT: **E4303 (BL)**  
 ANSI: **R3G164, R3G165**

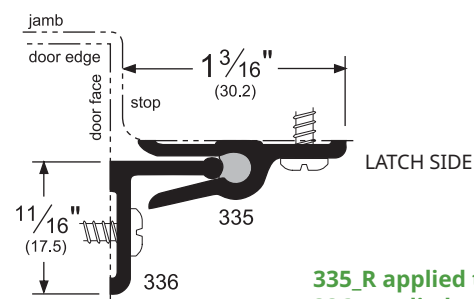


# HEAVY DUTY INTERLOCK PERIMETER GASKETING

## 335\_R

AVAILABLE FINISHES: **A**

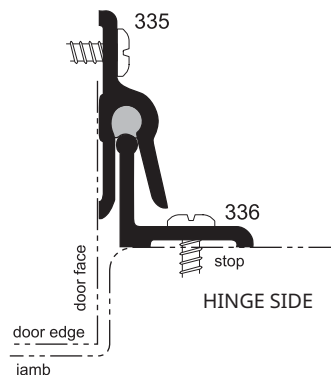
NOTE: Diagram consists of two parts, each sold separately.



**335\_R applied to jamb;**  
**336\_ applied to door.**

## 336\_

AVAILABLE FINISHES: **A**



NOTE: Products shown in this section may not be drawn to scale.

AVAILABLE FINISHES FOR PRODUCTS SHOWN ON THIS PAGE

**10BE** (Satin Bronze Powder Coated Aluminum) **A** (Mill Finish Aluminum) **BSP** (Black Suede Powder Coated Aluminum)  
**C** (Clear Anodized) **D** (Dark Bronze Anodized) **G** (Gold Anodized) **WSP** (White Suede Powder Coated Aluminum)

800-824-3018 | www.pemko.com

Check the web site for the up-to-date catalog

Copyright © 2015-2025, ASSA ABLOY Accessories and Door Controls Group, Inc., an ASSA ABLOY Group company. All rights reserved.  
 Reproduction in whole or in part without the express written permission of ASSA ABLOY Accessories and Door Controls Group, Inc. is prohibited.



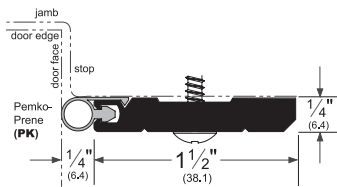
Experience a safer  
 and more open world

# HEAVY DUTY PERIMETER GASKETING - HEAD SECTION

- For the head section of the frame where a parallel arm closer bracket or other hardware is required. Supplied undrilled (36") or drilled (80" and above) and supplied with sheet metal screws for mounting
- If used as a stop, flat head machine screws can be provided upon request and take a countersunk #10 hole. Pemko will drill the head member only if drilling instructions for countersink holes are provided
- All gasketing shown below is sold individually

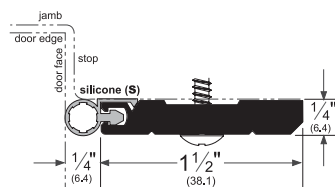
## 2891\_PK

AVAILABLE FINISHES: **10BE, A, BSP, D, G, WSP**  
 REPLACEMENT INSERT: **PK47 (BL, GR)**  
 ANSI: **R3G164, R3G165**



## 2891\_S

AVAILABLE FINISHES: **10BE, A, BSP, D, G, WSP**  
 REPLACEMENT INSERT: **S3 (BL, W)**  
 ANSI: **R3E164, R3E165**

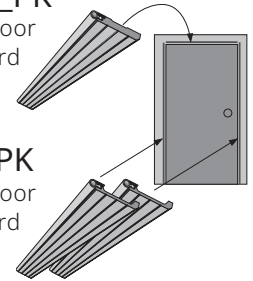


## 2891\_PK

1 per door standard

## 290\_PK

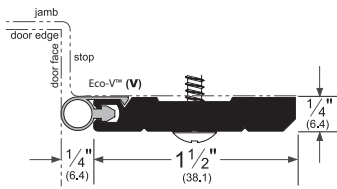
2 per door standard



When ordering a head section such as 2891\_PK, two corresponding side sections (i.e. 290\_PK) should also be ordered for the latch and hinge sides of the frame.

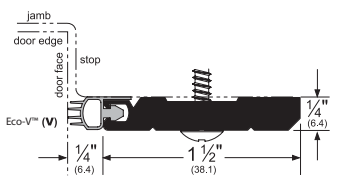
## 2891\_V

AVAILABLE FINISHES: **10BE, A, BSP, D, WSP**  
 REPLACEMENT INSERT: **EV47 (BL, GR, W)**



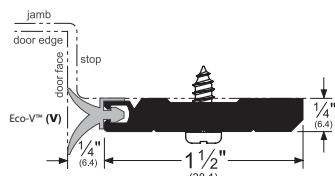
## 2892\_V

AVAILABLE FINISHES: **10BE, A, BSP, D, WSP**  
 REPLACEMENT INSERT: **EV59 (BL, GR, W)**



## 2893\_V

AVAILABLE FINISHES: **10BE, A, BSP, D, WSP**  
 REPLACEMENT INSERT: **EV60 (GR)**



NOTE: Products shown in this section may not be drawn to scale.

AVAILABLE FINISHES FOR PRODUCTS SHOWN ON THIS PAGE

**10BE** (Satin Bronze Powder Coated Aluminum) **A** (Mill Finish Aluminum) **BSP** (Black Suede Powder Coated Aluminum) **D** (Dark Bronze Anodized) **G** (Gold Anodized) **WSP** (White Suede Powder Coated Aluminum)



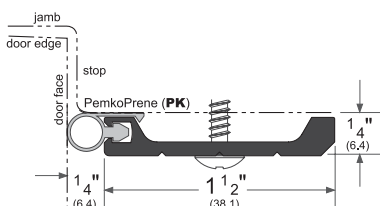
Experience a safer and more open world

# HEAVY DUTY PERIMETER GASKETING - STANDARD JAMB

- For the head section of the frame where a parallel arm closer bracket or other hardware is required. Supplied undrilled (36") or drilled (80" and above) and supplied with sheet metal screws for mounting
- If used as a stop, flat head machine screws can be provided upon request and take a countersunk #10 hole. Pemko will drill the head member only if drilling instructions for countersink holes are provided
- All gasketing shown below is sold individually

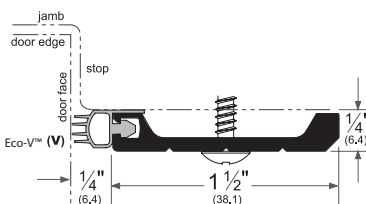
## 290\_PK

AVAILABLE FINISHES: **10BE, A, BSP, D, G, WSP**  
 REPLACEMENT INSERT: **PK47 (BL, GR)**  
 ANSI: **R3G164, R3G165**



## 2902\_V

AVAILABLE FINISHES: **10BE, A, BSP, D, G, WSP**  
 REPLACEMENT INSERT: **EV59 (BL, GR, W)**



### Alternate Inserts For 290

#### 290\_S

AVAILABLE FINISHES: **A, D, G**  
 REPLACEMENT INSERT: **S3 (BL, W)**  
 ANSI: **R3E164, R3E165**



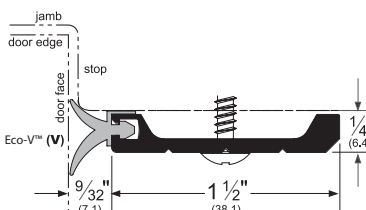
#### 290\_V

AVAILABLE FINISHES: **A, D, G**  
 REPLACEMENT INSERT: **EV47 (BL, GR, W)**



## 2903\_V

AVAILABLE FINISHES: **10BE, A, BSP, D, G, WSP**  
 REPLACEMENT INSERT: **EV60 (GR)**



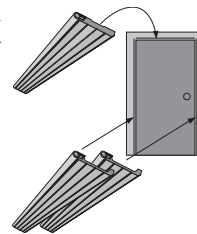
## 2891\_PK

1 per door standard

## 290\_PK

2 per door standard

When ordering a head section such as 2891\_PK, two corresponding side sections (i.e. 290\_PK) should also be ordered for the latch and hinge sides of the frame.

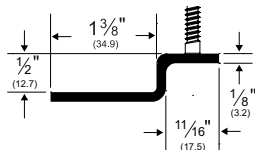


# PERIMETER GASKET JAMB BRACKETS

- For use with standard perimeter gasket profiles when opening utilizes a parallel arm closer
- Mount perimeter gasket first, then bracket over the profile. Closer bracket will mount to face of bracket.
- Furnished in paintable galvanized steel (SP) or gray prime coat (G); available in powder coated finishes
- Supplied in 6" lengths

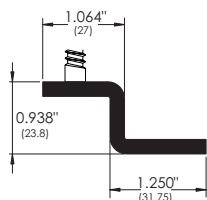
## BKT050\_

AVAILABLE FINISHES: **10BE, BSP, SP, G, WSP**



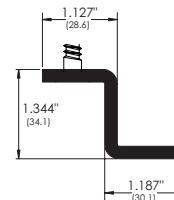
## BKT075\_

AVAILABLE FINISHES: **10BE, BSP, SP, G, WSP**



## BKT1532\_

AVAILABLE FINISHES: **10BE, BSP, SP, G, WSP**



NOTE: Products shown in this section may not be drawn to scale.

AVAILABLE FINISHES FOR PRODUCTS SHOWN ON THIS PAGE (see General Information section for finish chart)

**10BE** (Satin Bronze Powder Coated Aluminum) **A** (Mill Finish Aluminum) **BSP** (Black Suede Powder Coated Aluminum) **D** (Dark Bronze Anodized) **G** (Gold Anodized) **WSP** (White Suede Powder Coated Aluminum)

AVAILABLE BRACKET FINISHES FOR PRODUCTS SHOWN ON THIS PAGE **G** (Gray Prime Painted Steel) **SP** (Galvanized Steel)

800-824-3018 | www.pemko.com

Check the web site for the up-to-date catalog

Copyright © 2015-2025, ASSA ABLOY Accessories and Door Controls Group, Inc., an ASSA ABLOY Group company. All rights reserved. Reproduction in whole or in part without the express written permission of ASSA ABLOY Accessories and Door Controls Group, Inc. is prohibited.



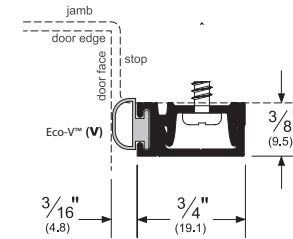
Experience a safer and more open world

# SNAP COVER PERIMETER GASKETING WITH CONCEALED FASTENERS

- Low-profile snap cover conceals mounting screws to provide security and a clean aesthetic appearance
- Cover snaps securely in place to deter vandalism
- All clear anodized brush products are supplied with gray brush (black brush available upon request)

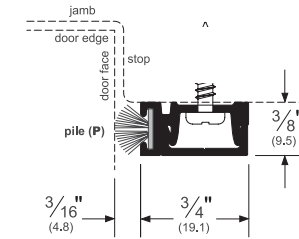
## 29310\_V

AVAILABLE FINISHES: **10BE, BSP, C, D, G, WSP**  
REPLACEMENT INSERT: **EV41 (BL, GR, W)**



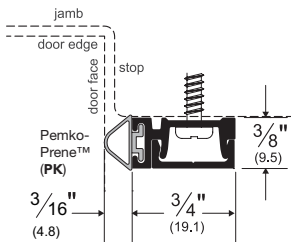
## 29310\_P

AVAILABLE FINISHES: **10BE, BSP, C, D, G, WSP**  
REPLACEMENT INSERT: **P2 (BL, GR)**



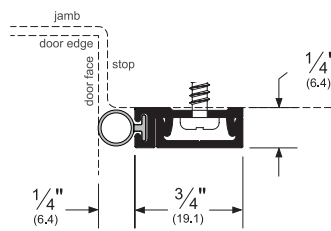
## 29310\_PK

AVAILABLE FINISHES: **10BE, BSP, C, D, G, WSP**  
REPLACEMENT INSERT: **PK4 (BL, GR)**  
ANSI: **R3G164, R3G165**



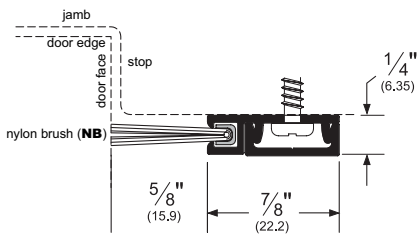
## 29313\_PK

AVAILABLE FINISHES: **10BE, BSP, C, D, WSP**  
REPLACEMENT INSERT: **PK588 (BL)**



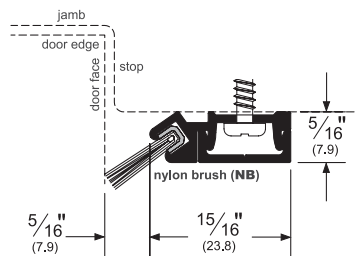
## 29326\_NB

AVAILABLE FINISHES: **10BE, BSP, C, D, G, WSP**  
REPLACEMENT INSERT: **P516062 (BL, GR, W)**  
ANSI: **R3A164, R3A165**



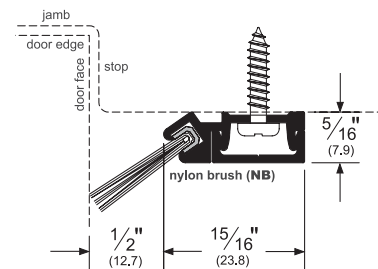
## 29344\_NB

AVAILABLE FINISHES: **10BE, BSP, C, D, G, WSP**  
REPLACEMENT INSERT: **P516041 (BL, GR)**  
ANSI: **R3A164**



## 29346\_NB

AVAILABLE FINISHES: **10BE, BSP, C, D, G, WSP**  
REPLACEMENT INSERT: **P516062 (BL, GR, W)**  
ANSI: **R3A164**



NOTE: Products shown in this section may not be drawn to scale.

AVAILABLE FINISHES FOR PRODUCTS SHOWN ON THIS PAGE

**10BE** (Satin Bronze Powder Coated Aluminum) **BSP** (Black Suede Powder Coated Aluminum) **C** (Clear Anodized) **D** (Dark Bronze Anodized) **G** (Gold Anodized) **WSP** (White Suede Powder Coated Aluminum)

**PEMKO**  
**ASSA ABLOY**

Experience a safer  
and more open world

800-824-3018 | [www.pemko.com](http://www.pemko.com)  
Check the web site for the up-to-date catalog

Copyright © 2015-2025, ASSA ABLOY Accessories and Door Controls Group, Inc., an ASSA ABLOY Group company. All rights reserved. Reproduction in whole or in part without the express written permission of ASSA ABLOY Accessories and Door Controls Group, Inc. is prohibited.

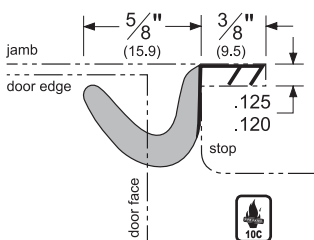
# KERF-IN WEATHERSTRIP

## Foam

- Pemko's "Q" foam kerf-in weatherstrip is constructed from soft cell foam enclosed by an embossed, tear-resistant, low-friction, UV-stable polyethylene cover
- Includes rigid PVC insert with extended flange for fast and easy kerf installation

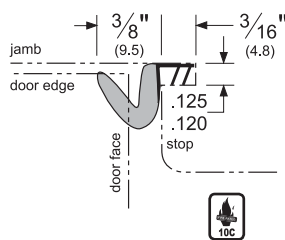
### Q102\_

AVAILABLE FINISHES: **BL, D, W**  
 AVAILABLE LENGTHS: **36", 85", 97", 121"**  
 Minimum space between the door face and the stop is  $\frac{5}{16}$ "; maximum space is  $\frac{1}{2}$ "



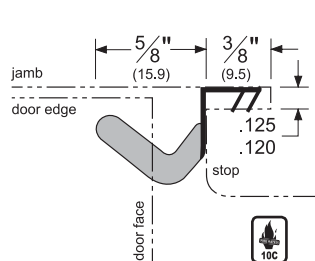
### Q103\_

AVAILABLE FINISHES: **BL, D, W**  
 AVAILABLE LENGTHS: **36", 85", 97", 121"**  
 Minimum space between the door face and the stop is  $\frac{3}{16}$ "; maximum space is  $\frac{5}{16}$ "



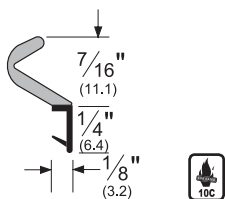
### Q106\_

AVAILABLE FINISHES: **D, W**  
 AVAILABLE LENGTHS: **36", 85", 97", 121"**  
 Minimum space between the door face and the stop is  $\frac{5}{16}$ "; maximum space is  $\frac{1}{2}$ "



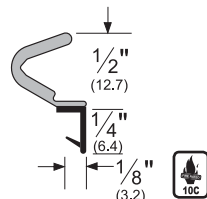
### Q107\_

AVAILABLE FINISHES: **BL**  
 Minimum space between the door face and the stop is  $\frac{1}{8}$ "; maximum space is  $\frac{7}{16}$ "  
 Sold per foot (specify length)



### Q108\_

AVAILABLE FINISHES: **BL**  
 Minimum space between the door face and the stop is  $\frac{1}{8}$ "; maximum space is  $\frac{1}{2}$ "  
 Sold per foot (specify length)

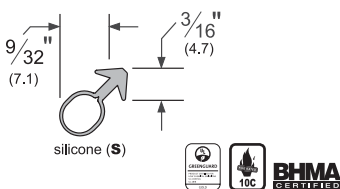


## Silicone

- Extruded from platinum cross-linked silicon
- Self-extinguishing and non-toxic
- Unaffected by sunlight, ozone, and ultraviolet rays
- Impervious to fungus and mildew; will not deteriorate under normal exposure
- Available in 100ft lengths

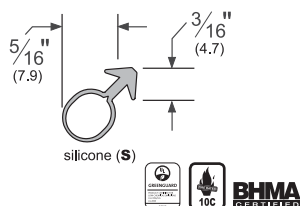
### S104\_100

AVAILABLE FINISHES: **D, W**  
 ANSI: **ROE156**  
 Minimum space between the door face and the stop is  $\frac{1}{16}$ "; maximum space is  $\frac{1}{4}$ "



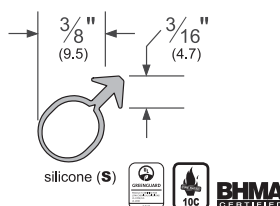
### S109\_100

AVAILABLE FINISHES: **D, W**  
 ANSI: **ROE156**  
 Minimum space between the door face and the stop is  $\frac{1}{16}$ "; maximum space is  $\frac{5}{16}$ "



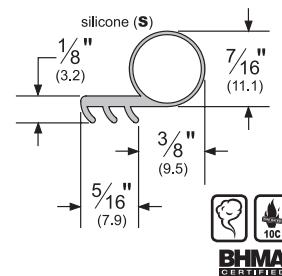
### S105\_100

AVAILABLE FINISHES: **D, W**  
 ANSI: **ROE156**  
 Minimum space between the door face and the stop is  $\frac{1}{16}$ "; maximum space is  $\frac{3}{8}$ "



### S52\_100

AVAILABLE FINISHES: **BL, W**  
 ANSI: **ROE154**  
 Minimum space between the door face and the stop is  $\frac{1}{16}$ "; maximum space is  $\frac{3}{8}$ "



NOTE: Products shown in this section may not be drawn to scale.

AVAILABLE FINISHES FOR PRODUCTS SHOWN ON THIS PAGE

**BL** (Black) **D** (Black) **W** (White)

800-824-3018 | www.pemko.com

Check the web site for the up-to-date catalog

Copyright © 2015-2025, ASSA ABLOY Accessories and Door Controls Group, Inc., an ASSA ABLOY Group company. All rights reserved. Reproduction in whole or in part without the express written permission of ASSA ABLOY Accessories and Door Controls Group, Inc. is prohibited.

**PEMKO**  
**ASSA ABLOY**

Experience a safer  
 and more open world



# KERF-IN WEATHERSTRIP (Cont.)

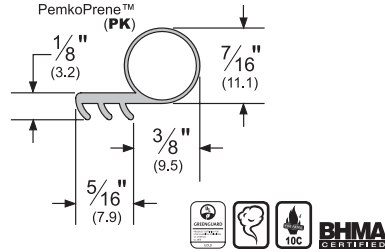
## PK52\_

AVAILABLE FINISHES: **BL**

ANSI: **ROG154**

AVAILABLE LENGTHS: **18', 20', 300'**

- Minimum space between the door face and the stop is  $\frac{1}{16}$ "; maximum space is  $\frac{3}{8}$ "

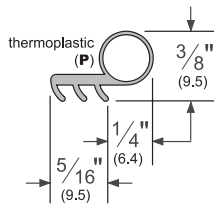


## P50\_

AVAILABLE FINISHES: **BL**

AVAILABLE LENGTHS: **17', 25', 250'**

- Minimum space between the door face and the stop is  $\frac{1}{16}$ "; maximum space is  $\frac{5}{16}$ ".
- Thermoplastic elastomer formulation will not transigrate; remains flexible to -60° F

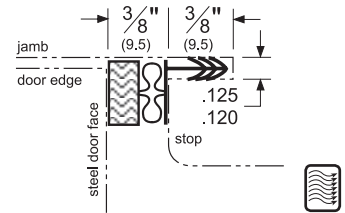


## MAG349\_

AVAILABLE FINISHES: **D**

AVAILABLE LENGTHS: **37', 85', 96', 121'**

- Minimum space between the door face and the stop is  $\frac{3}{8}$ "; maximum space is  $\frac{7}{16}$ "
- Magnetic kerf-in weatherstrip features a magnetic strip encased by a UV-stable TPE cover
- Use for steel-faced door and wood frame applications
- Can be trimmed in the field and corner-mitered

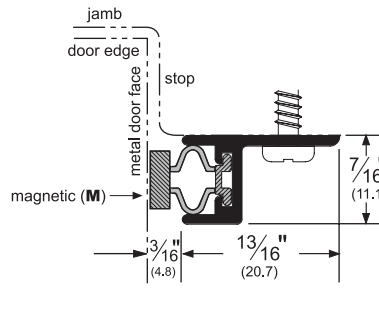


# MAGNETIC WEATHERSTRIP

## 2815\_M

AVAILABLE FINISHES: **C, D, G**

REPLACEMENT INSERT: **2815MAG**



# ADHESIVE PERIMETER GASKETING

For more information on these perimeter gasketing products, please see the Adhesive Gasketing section.

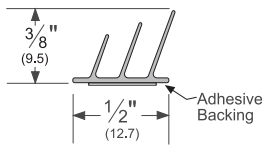
## S773\_

AVAILABLE FINISHES: **BL, D, GR, W**

AVAILABLE LENGTHS: **17', 18', 20', 21', 25', 30', 250', 500'**

ANSI: **ROE154, ROE155**

- Triple-fin design blocks light and sound from infiltrating a room
- Product designed as hospitality gasketing (see more hospitality products in the Hospitality Products section)
- Seal begins compressing at  $\frac{3}{8}$ "



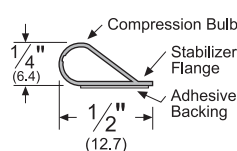
## S88\_

AVAILABLE FINISHES: **BL, C, D, GR, TAN, W**

AVAILABLE LENGTHS: **17', 18', 20', 21', 25', 30', 204', 510'**

ANSI: **ROE154, ROE155**

- Seal begins compressing at  $\frac{1}{4}$ "; compresses to seal up to a  $\frac{1}{16}$ " gap
- Available with perforations for Behavioral Health applications. Substitute "P" in place of "S" to order this option.



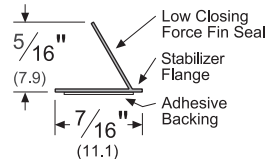
## S44\_

AVAILABLE FINISHES: **BL, C, D, GR, W**

AVAILABLE LENGTHS: **17', 18', 20', 21', 25', 30', 204', 510'**

ANSI: **ROE154, ROE155**

- Designed for tighter frames.
- Demonstrates extremely low closing force.
- Seal begins compressing at  $\frac{5}{16}$ "; compresses to seal up to a  $\frac{1}{16}$ " gap
- Available with perforations for Behavioral Health applications. Substitute "P" in place of "S" to order this option.



NOTE: Products shown in this section may not be drawn to scale.

AVAILABLE FINISHES FOR PRODUCTS SHOWN ON THIS PAGE

**C** (Clear Anodized) **D** (Dark Bronze Anodized) **G** (Gold Anodized)

AVAILABLE FINISHES FOR PRODUCTS SHOWN ON THIS PAGE

Adhesive Gasketing Colors: **BL** (Black) **C** (Clear) **D** (Dark Brown) **GR** (Light Gray) **TAN** (Tan) **W** (White)

**PEMKO**  
**ASSA ABLOY**

Experience a safer  
and more open world

# ADHESIVE PERIMETER GASKETING (Cont.)

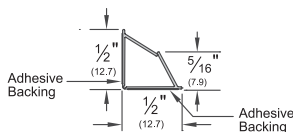
For more information on these perimeter gasketing products, please see the Adhesive Gasketing section.

## S442\_

AVAILABLE FINISHES: **BL, D, W**  
 AVAILABLE LENGTHS: **17', 18', 20', 21', 25', 30', 510'**

ANSI: **ROE154, ROE155**

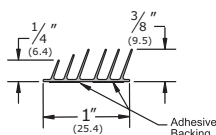
- Fits flush into corner
- Seal begins compressing at  $\frac{5}{16}$ "; compresses to seal up to a  $\frac{1}{16}$ " gap



## S776\_

AVAILABLE FINISHES: **BL**  
 AVAILABLE LENGTHS: **17', 18', 20', 21', 25', 30'**  
 ANSI: **ROE154, ROE155**

- Designed for hollow metal and wood meeting stile applications
- Seal begins compressing at  $\frac{3}{8}$ "

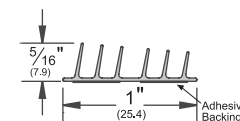


## S771x6\_

AVAILABLE FINISH: **BL**  
 AVAILABLE LENGTHS: **7', 8', 10', 17', 18', 20', 21', 25'**

ANSI: **ROE154, ROE155**

- Designed for hollow metal and wood meeting stile applications
- Seal begins compressing at  $\frac{5}{16}$ "

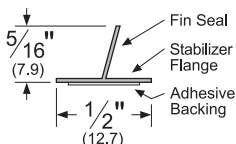


## S77\_

AVAILABLE FINISHES: **C, BL, D, W**  
 AVAILABLE LENGTHS: **17', 18', 20', 21', 25', 30', 204', 510'**

ANSI: **ROE154, ROE155**

- Designed for hollow metal and wood meeting stile applications.
- Seal begins compressing at  $\frac{5}{16}$ "; compresses to seal up to a  $\frac{1}{16}$ " gap

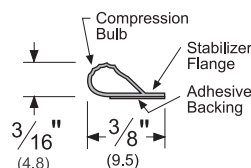


## PK33\_

AVAILABLE FINISHES: **BL, D, W**  
 AVAILABLE LENGTHS: **17', 18', 20', 21', 25', 30', 510'**

ANSI: **ROG154, ROG155**

- Designed for tighter frames.
- Demonstrates extremely low closing force.
- Seal begins compressing at  $\frac{3}{16}$ "; compresses to seal up to a  $\frac{1}{16}$ " gap

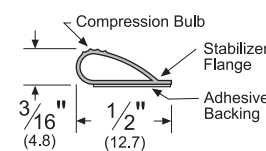


## PK55\_

AVAILABLE FINISHES: **BL, D, W**  
 AVAILABLE LENGTHS: **17', 18', 20', 21', 25', 30', 510'**

ANSI: **ROG154, ROG155**

- Designed for tighter frames.
- Demonstrates extremely low closing force.
- Seal begins compressing at  $\frac{3}{16}$ "; compresses to seal up to a  $\frac{1}{16}$ " gap

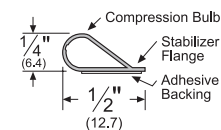


# MICROSHIELD® ANTIMICROBIAL ADHESIVE GASKETING

## AM88\_

AVAILABLE FINISHES: **BL, C, D, W**  
 AVAILABLE LENGTHS: **17', 18', 20', 21', 25', 30', 510'**

ANSI: **R8E154, ROE155**



### NOTES FOR ALL ADHESIVE GASKETING:

Storage and shelf life: All adhesive gaskets have a limited shelf life. This product must be installed within 6 months of purchase and must be stored between 50°F and 100°F. For further notes/details, please see Adhesive Gasketing section.

NOTE: Products shown in this section may not be drawn to scale.

AVAILABLE FINISHES FOR PRODUCTS SHOWN ON THIS PAGE

Adhesive Gasketing Colors: **BL** (Black) **C** (Clear) **D** (Dark Brown) **W** (White)

800-824-3018 | www.pemko.com

Check the web site for the up-to-date catalog

Copyright © 2015-2025, ASSA ABLOY Accessories and Door Controls Group, Inc., an ASSA ABLOY Group company. All rights reserved. Reproduction in whole or in part without the express written permission of ASSA ABLOY Accessories and Door Controls Group, Inc. is prohibited.

**PEMCO**  
**ASSA ABLOY**

Experience a safer  
 and more open world

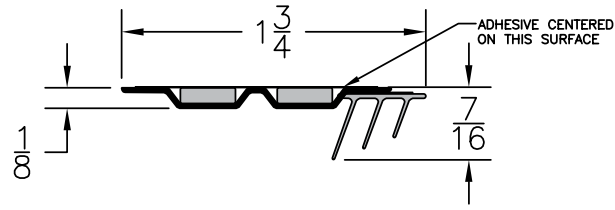
## EXCESSIVE GAP PERIMETER SOLUTION

### XG90KIT

- Brings fire-rated doors with excessive vertical and head gaps back into spec - up to 3/8"
- UL Classified for 90-minutes
- Kit includes all products shown below

### HSS20XGxS773

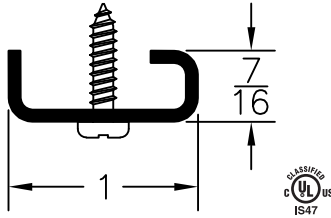
- Pressure sensitive adhesive backing
- AVAILABLE FINISH: **BL**



### XG900

- 16ga galvanized steel
- Can be screw applied or welded to metal frame. If welded, specify with "no holes" for clean appearance.
- Can be field painted to match the frame

AVAILABLE FINISH: **SP, SPBSP, SPWSP, SP10BE**

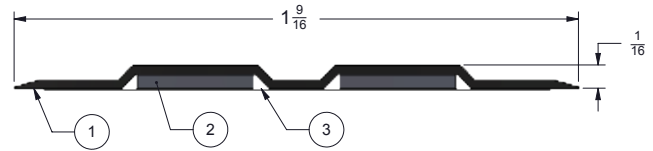


### EZGAP™ (XG10 SERIES)

- Flexible, adhesive-applied solution for excessive gaps from 3/32"-1/4"
- Can be used as a full perimeter system or used independently on Latch Edge, Hinge Edge, or Header
- UL10C approved for 45 minute fire rated wood doors with gaps up to 1/4"

AVAILABLE FINISH: **BL (Black), BR (Brown), GR (Grey), W (White)**

AVAILABLE LENGTHS: **18 ft, 50 ft Rolls**

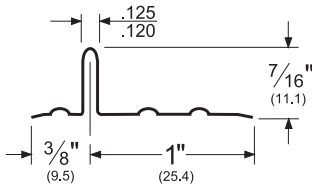


## INTERLOCK WEATHERSTRIP FOR WOOD WINDOWS

### Corrugated Rib Strips

- Corrugated rib strips are made from .015" spring bronze (B) or .0172" galvanized steel (Z)
- \_4C is only available in 96" lengths

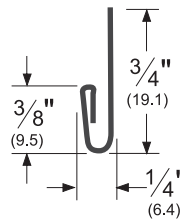
**\_4C** (1 3/8" width)  
AVAILABLE FINISHES: **B, Z**



### Flat Hooks

- \_10 Flat hooks are made from .026" spring bronze (B) or .0172" galvanized steel (Z)

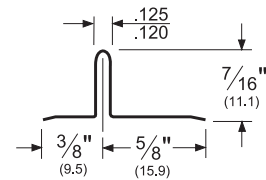
**\_10**  
AVAILABLE FINISHES: **B, Z**  
AVAILABLE LENGTHS: **96"**



### Plain Rib Strips

- Plain rib strips are made from .015" spring bronze (B) or .0172" galvanized steel (Z)

**\_2P** (1" width)  
AVAILABLE FINISHES: **B, Z**



**\_4P** (1 3/8" width)  
AVAILABLE FINISHES: **Z**

*\_2P (1" width) shown at left; also available in \_4P (1 3/8" width).  
\_2P and \_4P available in 96" lengths only*

NOTE: Products shown in this section may not be drawn to scale.

AVAILABLE FINISHES FOR PRODUCTS SHOWN ON THIS PAGE

**SP10BE** (Satin Bronze Powder) **B** (Bronze) **SPBSP** (Black Suede Powder)  
**SP** (Galvanized Steel) **SPWSP** (White Suede Powder) **Z** (Galvanized Steel)

**PEMKO**  
**ASSA ABLOY**

Experience a safer  
and more open world

800-824-3018 | [www.pemko.com](http://www.pemko.com)  
Check the web site for the up-to-date catalog

Copyright © 2015-2025, ASSA ABLOY Accessories and Door Controls Group, Inc., an ASSA ABLOY Group company. All rights reserved.  
Reproduction in whole or in part without the express written permission of ASSA ABLOY Accessories and Door Controls Group, Inc. is prohibited.

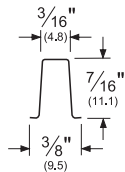
## INTERLOCK WEATHERSTRIP FOR WOOD DOORS

- Fasteners available at additional cost

### Liner Strip

- Made from .008" spring bronze (B)

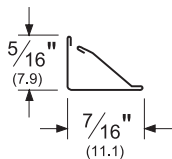
**\_30**  
 AVAILABLE FINISH: **B**  
 AVAILABLE LENGTHS: **96"**



### Lock Strip

- Made from .008" spring bronze (B)

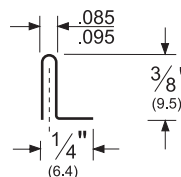
**\_331**  
 AVAILABLE FINISH: **B**  
 AVAILABLE LENGTHS: **6", 96"**



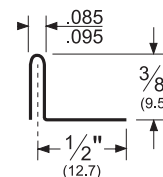
### "L" Metal

- Bronze or zinc-plated wafer head drive screws available for \_41M (sold separately)

**\_41M**  
 AVAILABLE FINISHES: **B, Z**  
 AVAILABLE LENGTHS: **96"**



**\_43**  
 AVAILABLE FINISH: **B**  
 AVAILABLE LENGTHS: **96"**

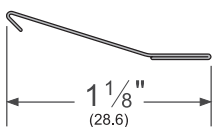


## CUSHION/SPRING WEATHERSTRIP FOR WOOD OR METAL DOORS AND WINDOWS

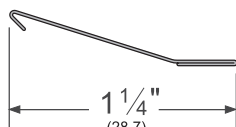
### Spring Bronze - Wood Doors/Windows

- Spring bronze weatherstrip fits wood doors and wood casement windows
- Made from .008" hemmed spring bronze/brass (B)
- Nails should be approximately 1 1/2" on center (sold separately)

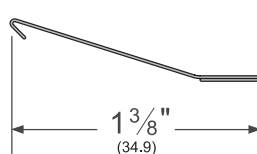
**\_70C-100**  
 AVAILABLE FINISH: **B**  
 AVAILABLE LENGTHS: **100'**



**\_70D-100**  
 AVAILABLE FINISH: **B**  
 AVAILABLE LENGTHS: **100'**



**\_70E-100**  
 AVAILABLE FINISH: **B**  
 AVAILABLE LENGTHS: **100'**



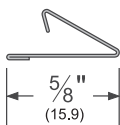
### P51B17

P51B17 is 17 feet of \_70C  
 Packaged with nails

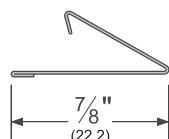
## CUSHION ("V") - WOOD OR METAL DOORS

- Cushion weatherstrip fits wood or metal doors
- Made from .008" hemmed spring bronze/brass (B)
- Nails should be approximately 3" on center (sold separately)
- Gap coverage is 1/8" minimum to 3/16" maximum

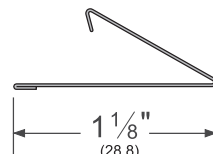
**\_73**  
 AVAILABLE FINISH: **B**  
 AVAILABLE LENGTHS: **96"**



**\_74**  
 AVAILABLE FINISH: **B**  
 AVAILABLE LENGTHS: **96"**



**\_75**  
 AVAILABLE FINISH: **B**  
 AVAILABLE LENGTHS: **96"**



## FASTENERS FOR CUSHION, SPRING AND INTERLOCK WEATHERSTRIP

- Fasteners for cushion, spring, and interlock weatherstrip are sold separately unless otherwise specified

**NL1678\_**  
 AVAILABLE FINISHES: **BL, BP, Z**  
 For Wood: #16 x 7/8" flat head nail



**NL1734CPXE\_**  
 AVAILABLE FINISHES: **BB, SS**  
 For Wood: #16 x 3/4" flat head nail



NOTE: Copper nails may be substituted for "BB" nails while brass remains unavailable.

**PEMKO**  
**ASSA ABLOY**

800-824-3018 | www.pemko.com  
 Check the web site for the up-to-date catalog

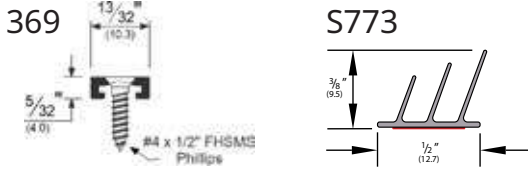
Copyright © 2015-2025, ASSA ABLOY Accessories and Door Controls Group, Inc., an ASSA ABLOY Group company. All rights reserved.  
 Reproduction in whole or in part without the express written permission of ASSA ABLOY Accessories and Door Controls Group, Inc. is prohibited.

Experience a safer  
 and more open world

# PRIVACY SEALS FOR SLIDING DOORS

## PEMKOSFSET1

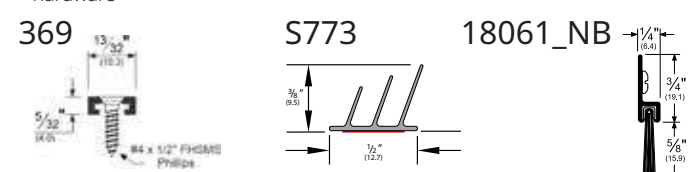
- Will seal gaps 1/8 to 3/8" for barn door sliding hardware
- Works with any sliding door hardware
- Requires 1/2" frame to keep the gasket from marring the wall



Standard Kit Sizes		
Finish	Product	Color
C	369C	Clear Anodized
	S773GR	Gray
D	369D	Dark Bronze Anodized
	S773BL	Black
PW	369C	Clear Anodized
	S773PW	White

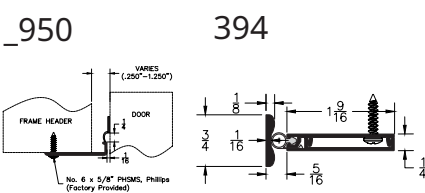
## PEMKOSFSET2

- Will seal gaps 1/8 to 3/8" for barn door sliding hardware
- Works with any sliding door hardware
- Requires 1/2" frame to keep the gasket from marring the wall
- Includes a surface mounted bottom seal



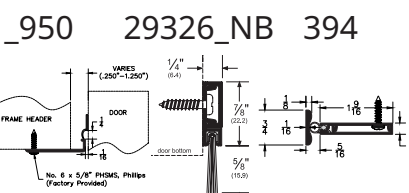
Standard Kit Sizes		
Finish	Product	Color
C	369C	Clear Anodized
	S773GR	Gray
	18061CNB	Clear Anodized, Gray Brush
D	369D	Dark Bronze Anodized
	S773BL	Black
	18061DNB	Dark Bronze Anodized, Black Brush
PW	369C	Clear Anodized
	S773PW	White
	18061PWNB	Painted White

## PEMKOSFSET3



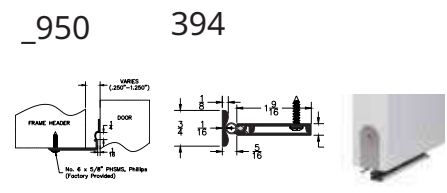
Standard Kit Sizes		
Finish	Product	Color
10BE	29394-10BE-PK	Satin Bronze Powder Coat with Black PemkoPrene™
	394-10BE	Satin Bronze Powder Coat
	950-10BE	Satin Bronze Powder Coat
C	29394CPK	Clear Anodized with Black PemkoPrene™
	394C	Clear Anodized
	950C	Clear Anodized
BSP	29394BSPPK	Black Suede Powder Coat with Black PemkoPrene™
	394BSP	Black Suede Powder Coat
	950BSP	Black Suede Powder Coat
D	29394DPK	Dark Bronze Anodized with Black PemkoPrene™
	394D	Dark Bronze Anodized
	950D	Dark Bronze Anodized
WSP	29394WSPPK	White Suede Powder Coat with Black PemkoPrene™
	394WSP	White Suede Powder Coat
	950WSP	White Suede Powder Coat

## PEMKOSFSET4



Standard Kit Sizes		
Finish	Product	Color
10BE	29394-10BE-PK	Satin Bronze Powder Coat with Black PemkoPrene™
	394-10BE	Satin Bronze Powder Coat
	950-10BE	Satin Bronze Powder Coat
C	29326-10BE-NB	Satin Bronze Powder Coat with Black Nylon Brush
	29394CPK	Clear Anodized with Black PemkoPrene™
	394C	Clear Anodized
BSP	29394BSPPK	Black Suede Powder Coat with Black PemkoPrene™
	394BSP	Black Suede Powder Coat
	950BSP	Black Suede Powder Coat
D	29326BSPNB	Black Suede Powder Coat with Black Nylon Brush
	29394DPK	Dark Bronze Anodized with Black PemkoPrene™
	394D	Dark Bronze Anodized
WSP	29394WSPPK	White Suede Powder Coat with Black PemkoPrene™
	394WSP	White Suede Powder Coat
	950WSP	White Suede Powder Coat

## PEMKOSFSET5



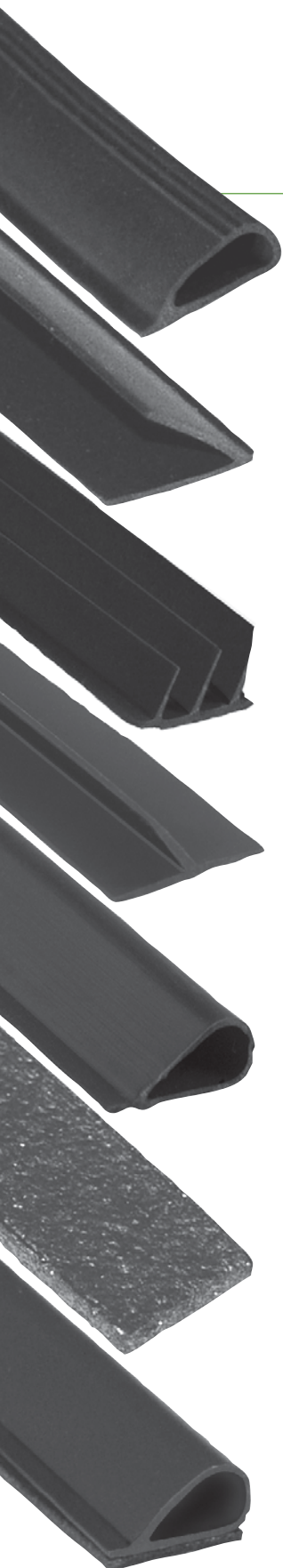
Standard Kit Sizes		
Finish	Product	Color
10BE	29394-10BE-PK	Satin Bronze Powder Coat with Black PemkoPrene™
	394-10BE	Satin Bronze Powder Coat
	950-10BE	Satin Bronze Powder Coat
C	29394CPK	Clear Anodized with Black PemkoPrene™
	394C	Clear Anodized
	950C	Clear Anodized
BSP	29394BSPPK	Black Suede Powder Coat with Black PemkoPrene™
	394BSP	Black Suede Powder Coat
	950BSP	Black Suede Powder Coat
D	29394DPK	Dark Bronze Anodized with Black PemkoPrene™
	394D	Dark Bronze Anodized
	950D	Dark Bronze Anodized
WSP	29394WSPPK	White Suede Powder Coat with Black PemkoPrene™
	394WSP	White Suede Powder Coat
	950WSP	White Suede Powder Coat



Experience a safer and more open world

800-824-3018 | www.pemko.com  
Check the web site for the up-to-date catalog

Copyright © 2015-2025, ASSA ABLOY Accessories and Door Controls Group, Inc., an ASSA ABLOY Group company. All rights reserved. Reproduction in whole or in part without the express written permission of ASSA ABLOY Accessories and Door Controls Group, Inc. is prohibited.



# PEMKO ADHESIVE GASKETING

## CONTENTS:

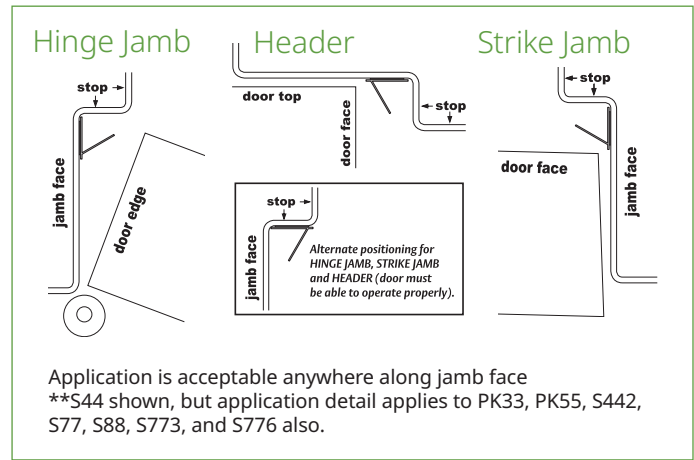
SiliconSeal Adhesive-Backed Fire/Smoke Gasketing .....	183
PemkoPrene® Adhesive-Backed Fire/Smoke Gasketing .....	184
SiliconSeal Adhesive-Backed Meeting Stile Gasketing .....	184
MicroShield® Antimicrobial Gasketing .....	185
Hot Smoke Seal/SiliconSeal Combination Fire/Smoke Sealing .....	185

## INDEX:

<u>PRODUCT</u>	<u>PAGE</u>	<u>PRODUCT</u>	<u>PAGE</u>
AM88 .....	185	S44 .....	183
HSS1000 .....	185	S77 .....	183
HSS2000 .....	185	S88 .....	183
HSS2000xS44 .....	185	S442 .....	183
HSS2000xS88 .....	184	S771 .....	184
HSS7750 .....	185	S771x6 .....	184
HSS7850 .....	185	S772 .....	184
PK33 .....	184	S773 .....	183
PK55 .....	184	S776 .....	183

# SILICONSEAL ADHESIVE-BACKED FIRE/SMOKE GASKETING

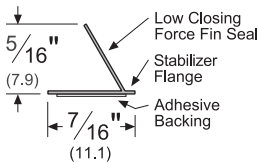
- SiliconSeal is extruded from high-temperature silicone; effective between -58°F and 450°F
- Self-extinguishing and non-toxic; unaffected by sunlight, ozone, and ultraviolet rays
- Impervious to fungus and mildew; will not deteriorate under normal exposure
- Meets FAR 25.853 Airworthiness Standards for Compartment Interiors



## S44\_

AVAILABLE FINISHES: **BL, C, D, GR, W**  
 AVAILABLE LENGTHS: **17', 18', 20', 21', 25', 30', 204', 510'**  
 ANSI: **ROE154, ROE155**

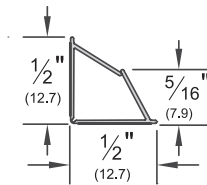
- Designed for tighter frames
- Demonstrates extremely low closing force
- Seal begins compressing at  $5/16"$ ; compresses to seal up to a  $1/16"$  gap



## S442\_

AVAILABLE FINISHES: **BL, D, W**  
 AVAILABLE LENGTHS: **17', 18', 20', 21', 25', 30', 510'**  
 ANSI: **ROE154, ROE155**

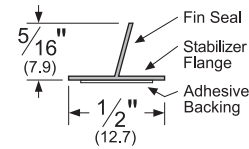
- Fits flush into corner
- Seal begins compressing at  $5/16"$ ; compresses to seal up to a  $1/16"$  gap in either direction



## S77\_

AVAILABLE FINISHES: **BL, C, D, W**  
 AVAILABLE LENGTHS: **17', 18', 20', 21', 25', 30', 204', 500'**  
 ANSI: **ROE154, ROE155**

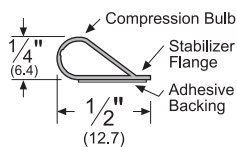
- Designed for hollow metal and wood meeting stile applications
- Seal begins compressing at  $5/16"$ ; compresses to seal up to a  $1/16"$  gap



## S88\_

AVAILABLE FINISHES: **BL, C, D, GR, TAN, W**  
 AVAILABLE LENGTHS: **17', 18', 20', 21', 25', 30', 204', 510'**  
 ANSI: **ROE154, ROE155**

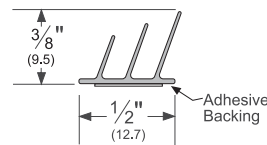
- Seal begins compressing at  $1/4"$ ; compresses to seal up to a  $1/16"$  gap



## S773\_

AVAILABLE FINISHES: **BL, D, GR, W**  
 AVAILABLE LENGTHS: **17', 18', 20', 21', 25', 30', 250', 500'**  
 ANSI: **ROE154, ROE155**

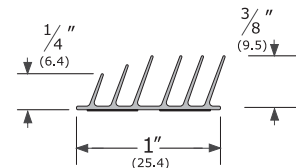
- Triple-fin design effectively blocks light and sound from infiltrating a room
- Seal begins compressing at  $3/8"$ ; compresses to seal up to a  $3/32"$  gap



## S776\_

AVAILABLE FINISHES: **BL**  
 AVAILABLE LENGTHS: **17', 18', 20', 21', 25', 30'**  
 ANSI: **ROE154, ROE155**

- Designed for hollow metal and wood meeting stile applications
- Seal begins compressing at  $3/8"$



**PEMKO**  
**ASSA ABLOY**

Experience a safer  
 and more open world

AVAILABLE FINISHES FOR PRODUCTS SHOWN ON THIS PAGE  
**BL** (Black) **C** (Clear) **D** (Dark Brown) **GR** (Light Gray) **TAN** (Tan) **W** (White)

800-824-3018 | [www.pemko.com](http://www.pemko.com)  
 Check the web site for the up-to-date catalog

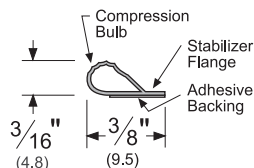
Copyright © 2015-2025, ASSA ABLOY Accessories and Door Controls Group, Inc., an ASSA ABLOY Group company. All rights reserved.  
 Reproduction in whole or in part without the express written permission of ASSA ABLOY Accessories and Door Controls Group, Inc. is prohibited.

# PEMKOPRENE® ADHESIVE-BACKED FIRE/SMOKE GASKETING

## PK33\_

AVAILABLE FINISHES: **BL, D, W**  
 AVAILABLE LENGTHS: **17', 18', 20', 21', 25', 30', 510'**  
 ANSI: **ROG154, ROG155**

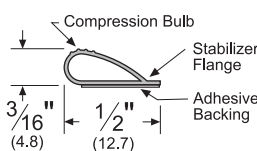
- Designed for tighter frames
- Demonstrates extremely low closing force
- Seal begins compressing at  $\frac{3}{16}$ "; compresses to seal up to a  $\frac{1}{16}$ " gap



## PK55\_

AVAILABLE FINISHES: **BL, D, W**  
 AVAILABLE LENGTHS: **17', 18', 20', 21', 25', 30', 510'**  
 ANSI: **ROG154, ROG155**

- Designed for tighter frames
- Demonstrates extremely low closing force
- Seal begins compressing at  $\frac{3}{16}$ "; compresses to seal up to a  $\frac{1}{16}$ " gap

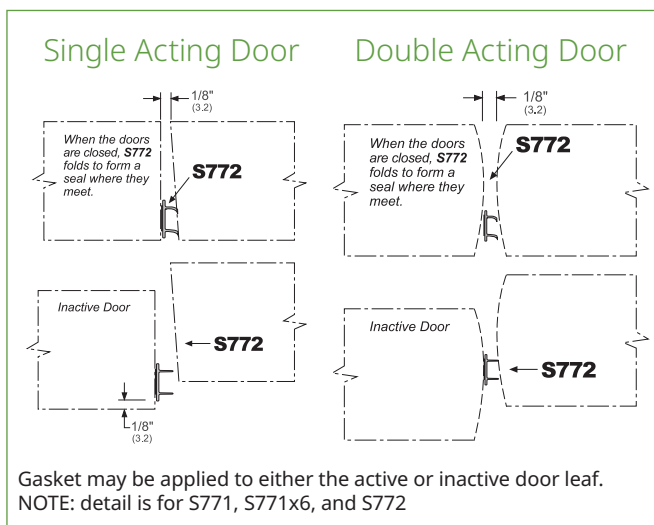
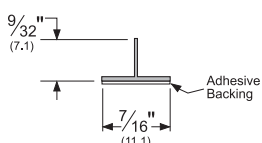


# SILICONSEAL ADHESIVE-BACKED MEETING STILE GASKETING

- Excellent resistance to compression set, particularly at elevated temperatures and for extended periods of time
- Outstanding ozone resistance rating
- Smoke tested in accordance with UL1784; meets the requirements of NFPA 105 "Standard for the Installation of Smoke Door Assemblies and Other Opening Protectives"

## S771\_

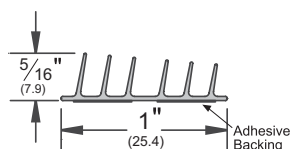
AVAILABLE FINISHES: **BL, C, D, W**  
 AVAILABLE LENGTHS: **7', 8', 9', 10'**  
 ANSI: **ROE154, ROE155, ROE754, ROE755**



## S771x6\_

AVAILABLE FINISHES: **BL**  
 AVAILABLE LENGTHS: **7', 8', 9', 10'**  
 ANSI: **ROE154, ROE155, ROE754, ROE755**

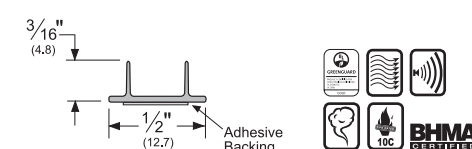
- Designed for hollow metal and wood meeting stile applications
- Seal begins compressing at  $\frac{5}{16}$ "



## S772\_

AVAILABLE FINISHES: **BL, C, D, W**  
 AVAILABLE LENGTHS: **7', 8', 9', 10'**  
 ANSI: **ROE154, ROE155, ROE754, ROE755**

- Designed for hollow metal and wood meeting stile applications
- Seal begins compressing at  $\frac{3}{16}$ "



AVAILABLE FINISHES FOR PRODUCTS SHOWN ON THIS PAGE  
**BL** (Black) **C** (Clear) **D** (Dark Brown) **W** (White)

800-824-3018 | www.pemko.com

Check the web site for the up-to-date catalog

Copyright © 2015-2025, ASSA ABLOY Accessories and Door Controls Group, Inc., an ASSA ABLOY Group company. All rights reserved. Reproduction in whole or in part without the express written permission of ASSA ABLOY Accessories and Door Controls Group, Inc. is prohibited.

**PEMKO**  
**ASSA ABLOY**

Experience a safer  
 and more open world



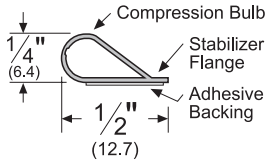
# MICROSHIELD® ANTIMICROBIAL GASKETING

- Extruded from high-temperature silicone with MicroShield®, a silver-based antimicrobial additive
- Effective between -58°F and 450°F

- Adhesive Backed
- Self-extinguishing and non-toxic
- Unaffected by sunlight, ozone and ultraviolet rays
- Exceeds the requirements for Antimicrobial Test JIS-Z-2801

## AM88

AVAILABLE FINISHES: **BL, C, D, W**  
 AVAILABLE LENGTHS: **17', 18', 20', 21', 25', 30', 510'**  
 ANSI: **ROE154, ROE155**



MicroShield®  
 As part of their promise to provide innovative solutions to their customers, certain ASSA ABLOY Group brands offer the MicroShield® technology, a silver-based antimicrobial additive designed to inhibit the growth of bacteria.

MicroShield® is a registered trademark of ASSA ABLOY Access and Egress Hardware Group, Inc., an ASSA ABLOY Group company.

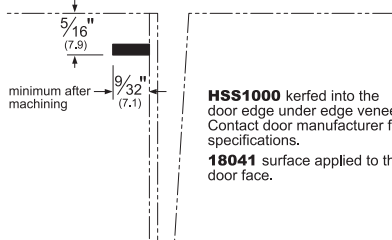
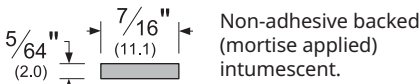
# HOT SMOKE SEAL/SILICONSEAL COMBINATION FIRE/SMOKE SEALING

- Chemically inert, highly stable, expandable graphite strip
- Tested and proven in positive pressure conditions to withstand both hot smoke and hot gasses, resulting in longer integrity of the door assembly
- More economical to use than specially modified doors in "tested assembly only" classifications

- Hot Smoke Seal can be painted to blend in with the finish of a frame
- Will not degrade from carbon dioxide and ozone like many competitive intumescent from other manufacturers
- Unaffected by moisture and will not break down like fiber-based or cellulose-based products

## HSS1000

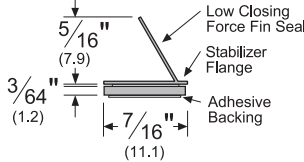
AVAILABLE FINISHES: Graphite (no finish code)  
 AVAILABLE LENGTHS: **7', 8', 10', 18', 21', 24'**  
 ANSI: **ROP124**



## HSS2000xS44

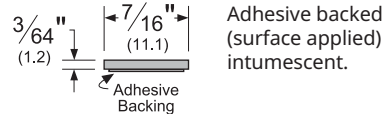
AVAILABLE FINISHES: **BL, C, D, GR, W**  
 AVAILABLE LENGTHS: **18', 20', 21', 24'**  
 20' lengths can be supplied in 4-0 x 8-0 or 6-0 x 7-0. Specify when ordering  
 ANSI: **ROU154, ROU155**

- Compresses to seal a gap up to 1/8"



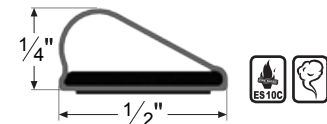
## HSS2000

AVAILABLE FINISHES: Graphite (no finish code)  
 AVAILABLE LENGTHS: **7', 8', 10', 18', 21', 24'**  
 ANSI: **ROP154**



## HSS7750

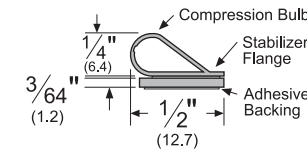
AVAILABLE FINISHES: **BL**  
 AVAILABLE LENGTHS: **36", 48", 84", 96"**



## HSS2000xS88

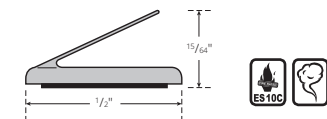
AVAILABLE FINISHES: **BL, C, D, GR, W**  
 AVAILABLE LENGTHS: **18', 20', 21', 24'**  
 20' lengths can be supplied in 4-0 x 8-0 or 6-0 x 7-0. Specify when ordering  
 ANSI: **ROU154, ROU155**

- Compresses to seal a gap up to 1/8"



## HSS7850

AVAILABLE FINISHES: **BL**  
 AVAILABLE LENGTHS: **36", 48", 84", 96"**



### NOTES FOR ALL ADHESIVE GASKETING:

Storage and shelf life: All adhesive gaskets have a limited shelf life. This product must be installed within 6 months of purchase and must be stored between 50°F and 100°F. Before installing: Thoroughly clean the frame to remove grease, dust or cleanser build-up (cleansing towelettes are included with product). Painted frame surface must be completely dry. Some hospital environments have wax or anti-bacterial cleanser build-up. As an alternative or substitute cleanser, use isopropyl (rubbing) alcohol. Note: Mineral spirits or other petroleum based cleaning products should NOT be used.



Experience a safer and more open world

AVAILABLE FINISHES FOR PRODUCTS SHOWN ON THIS PAGE  
**BL**(Black) **C**(Clear) **D**(Dark Brown) **GR**(Light Gray) **W**(White)

800-824-3018 | www.pemko.com  
 Check the web site for the up-to-date catalog

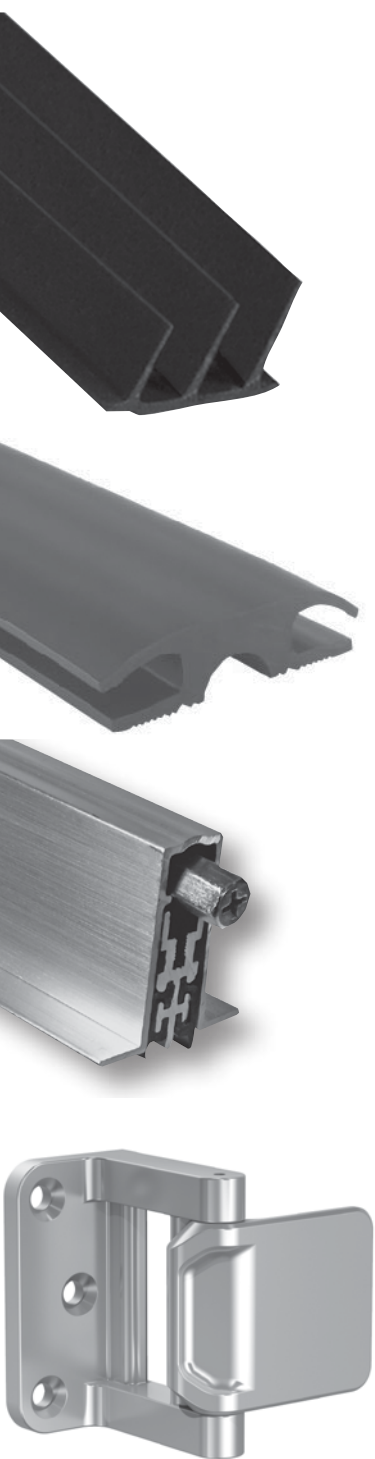
# PEMKO HOSPITALITY PRODUCTS

## CONTENTS:

Privacy Door Latch, Bracket and Decals.....	187
SiliconSeal Adhesive Gasketing.....	188
Automatic Door Bottoms: Acoustic.....	189
Door Shoes.....	189
Acoustic Adhesive Corner Pads.....	189
Automatic Door Bottoms.....	190
Eco-V™ Thresholds.....	191
Adjustable-Width Eco-V™ Threshold.....	192
Stainless Steel Sliding Track Hardware System.....	193
Cascading Door with Sample Configurations.....	194
SHS80 System.....	195
Bypass Track Series.....	196

## INDEX:

PRODUCT	PAGE	PRODUCT	PAGE
411.....	190	H222R1.....	194
601H.....	194	HBP200A.....	196
1076.....	194	PDLAA.....	187
2113.....	189	PDLBRKT.....	187
2173.....	189	PDL-D1.....	187
2343.....	189	PDL-D2.....	187
2802.....	194	S44.....	188
2812.....	194	S88.....	188
3692.....	189	S442.....	188
4131.....	190	S771.....	188
ACP112.....	189	S771x6.....	188
ADJ232V8.....	192	S772.....	188
ADJ232V14.....	192	S773.....	188
ADJ232x2325V8.....	192	S776.....	188
EV232.....	191	SHS80.....	195
EV2320.....	191	STC411.....	189
EV2322.....	191	STC4131.....	189
EV2325.....	191	W60.....	193
EV2326.....	191		



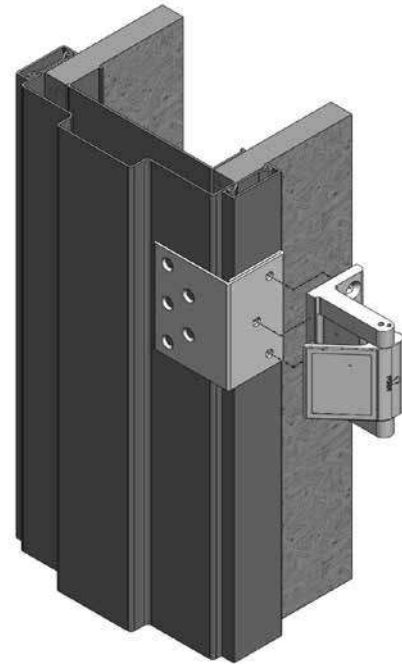
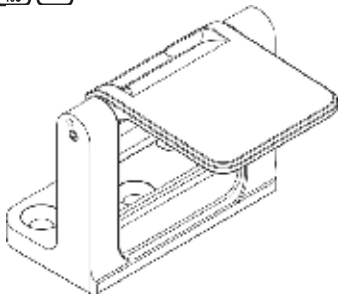
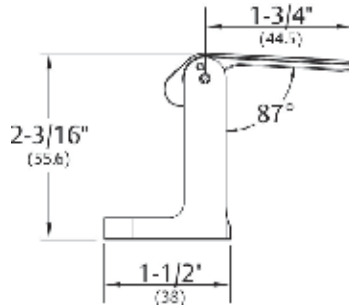
## PRIVACY DOOR LATCH

- Easy to install, simple to operate
- ADA Compliant
- Enhances room privacy
- UL Classified as a fire door accessory

### PDLAA\_

AVAILABLE COLORS:

- PDLAA26 Polished Chrome
- PDLAA26D/15 Polished Chrome/Satin Nickel
- PDLAA3 Polished Brass
- PDLAA4 Brushed Brass
- PDLAABSP Black Suede
- PDLAA10BE Dark Oxidized
- Satin Bronze, Equivalent

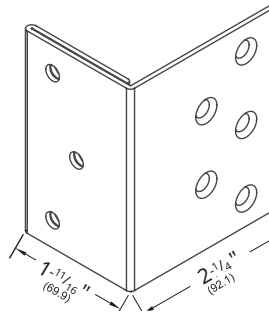


## PRIVACY DOOR LATCH BRACKET

- Designed for Timely or Redi-Frame frames with snap on trim
- Bracket allows PDL to be installed in the correct position for proper operation
- Custom powder coat options available.

### PDLBRKT\_

- AVAILABLE COLORS:
- Paintable Galvannealed (blank)
  - Black Suede (BSP)
  - Satin Bronze (10BE)
  - White Suede (WSP)



## PRIVACY DOOR LATCH DECALS

- Used to cover holes left on door and frame from old style door latch. Per NFPA80 holes must first be filled with like material in order to maintain the fire opening rating
- Made from stable, mar-resistant plastic
- Sub-surface screen printing so verbiage will not be affected by gentle cleaning/dusting



PDL-D1



PDL-D2

**PEMKO**  
**ASSA ABLOY**

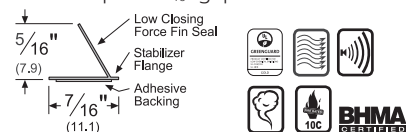
Experience a safer  
and more open world

# SILICONSEAL ADHESIVE GASKETING

## S44\_

AVAILABLE FINISHES: **BL, C, D, GR, W**  
 AVAILABLE LENGTHS: **17', 18', 20', 21', 25', 30', 204', 510'**  
 ANSI: **ROE154, ROE155**

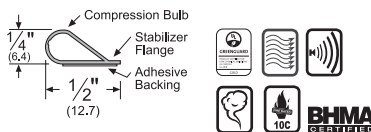
- Designed for tighter frames
- Demonstrates extremely low closing force
- Seal begins compressing at  $\frac{5}{16}$ "; compresses to seal up to a  $\frac{1}{16}$ " gap



## S88\_

AVAILABLE FINISHES: **BL, C, D, GR, TAN, W**  
 AVAILABLE LENGTHS: **17', 18', 20', 21', 25', 30', 204', 510'**  
 ANSI: **ROE154, ROE155**

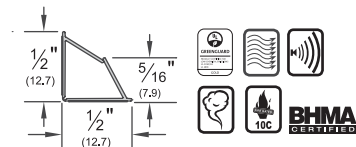
- Seal begins compressing at  $\frac{1}{4}$ "; compresses to seal up to a  $\frac{1}{16}$ " gap



## S442\_

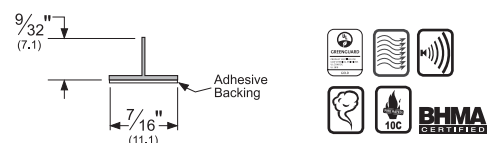
AVAILABLE FINISHES: **BL, D, W**  
 AVAILABLE LENGTHS: **17', 18', 20', 21', 25', 30', 510'**  
 ANSI: **ROE154, ROE155**

- Seal fits flush into corner
- Seal begins compressing at  $\frac{5}{16}$ "; compresses to seal up to a  $\frac{1}{16}$ " gap in either direction



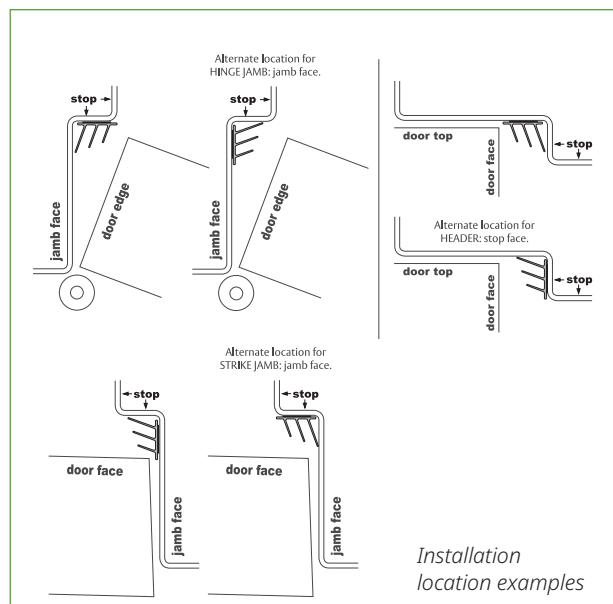
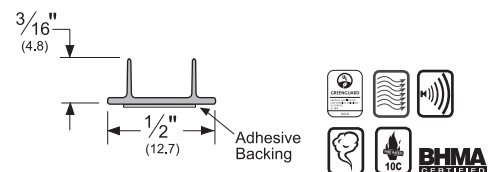
## S771\_

AVAILABLE FINISHES: **BL, C, D, W**  
 AVAILABLE LENGTHS: **7', 8', 9', 10'**  
 ANSI: **ROE154, ROE155, ROE754, ROE755**



## S772\_

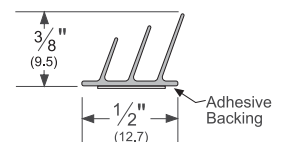
AVAILABLE FINISHES: **BL, C, D, W**  
 AVAILABLE LENGTHS: **7', 8', 9', 10'**  
 ANSI: **ROE154, ROE155, ROE754, ROE755**



## S773\_

AVAILABLE FINISHES: **BL, D, GR, W**  
 AVAILABLE LENGTHS: **17', 18', 20', 21', 25', 30', 250', 500'**  
 ANSI: **ROE154, ROE155**

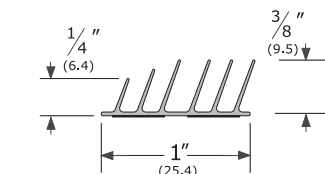
- Triple-fin design effectively blocks light and sound from infiltrating a room
- Seal begins compressing at  $\frac{3}{8}$ "; compresses to seal up to a  $\frac{3}{32}$ " gap



## S776\_

AVAILABLE FINISHES: **BL**  
 AVAILABLE LENGTHS: **17', 18', 20', 21', 25', 30'**  
 ANSI: **ROE154, ROE155**

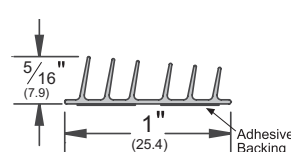
- Designed for hollow metal and wood meeting stile applications
- Seal begins compressing at  $\frac{3}{8}$ "



## S771x6\_

AVAILABLE FINISHES: **BL**  
 AVAILABLE LENGTHS: **7', 8', 9', 10'**  
 ANSI: **ROE154, ROE155, ROE754, ROE755**

- Designed for hollow metal and wood meeting stile applications
- Seal begins compressing at  $\frac{5}{16}$ "



AVAILABLE FINISHES FOR PRODUCTS SHOWN ON THIS PAGE  
**BL** (Black) **C** (Clear) **D** (Dark Brown) **GR** (Light Gray) **TAN** (Tan) **W** (White)

800-824-3018 | www.pemko.com

Check the web site for the up-to-date catalog

Copyright © 2015-2025, ASSA ABLOY Accessories and Door Controls Group, Inc., an ASSA ABLOY Group company. All rights reserved. Reproduction in whole or in part without the express written permission of ASSA ABLOY Accessories and Door Controls Group, Inc. is prohibited.

**PEMKO**  
**ASSA ABLOY**

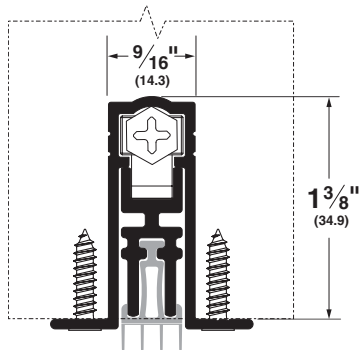
Experience a safer  
 and more open world

## AUTOMATIC DOOR BOTTOMS - ACOUSTIC

- Recommended gap under door is  $\frac{3}{8}$ " for optimal acoustic performance; max drop is  $\frac{3}{4}$ "
- Internal mechanism allows bar to accommodate slight imperfections in floor materials
- STC411 end plate kit is K435; for doors narrower than 1- $\frac{3}{4}$ ", specify end plate kit K411
- STC4131 end plate kit is K4133C for Clear Anodized and K4133D for Dark Bronze Anodized
- Non-handed

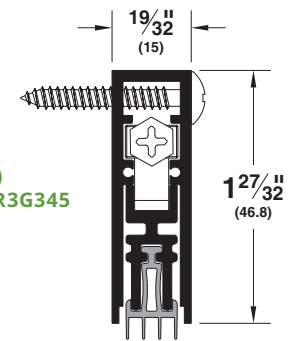
### STC411\_PK

AVAILABLE FINISHES: **A**  
REPLACEMENT INSERT:  
**PK4111 (BL)**  
ANSI: **R3G324, R3G325**



### STC4131\_PK

AVAILABLE FINISHES: **10BE, BSP, C, D, WSP**  
REPLACEMENT INSERT: **PK4111 (BL)**  
ANSI: **R3G334, R3G335, R3G344, R3G345**



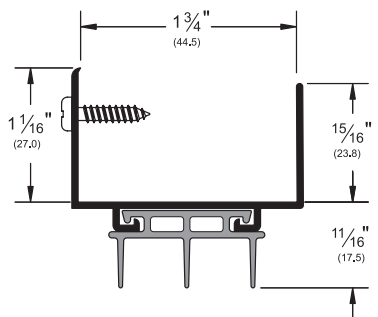
## Door Shoes

### 2173\_V

AVAILABLE FINISHES:  
**A, BSP, D, G, WSP**  
AVAILABLE LENGTHS:  
**36", 48"**  
REPLACEMENT INSERT:  
**EV94 (BL)**  
ANSI:  
**R3D414, R3D415**

Also available with  
unnotched insert:

2173\_V36UN  
2173\_V48UN

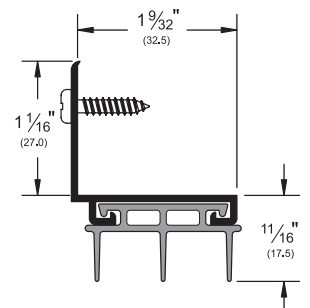


### 2113\_V

AVAILABLE FINISHES:  
**A, BSP, D, G, WSP**  
AVAILABLE LENGTHS:  
**36", 48"**  
REPLACEMENT INSERT:  
**EV94 (BL)**  
ANSI:  
**R3D414, R3D415**

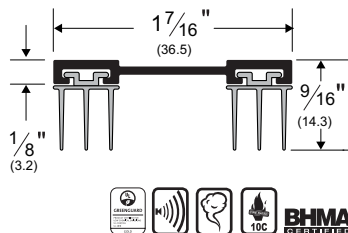
Also available with  
unnotched insert:

2113\_V36UN  
2113\_V48UN



### 3692\_PK773

AVAILABLE FINISH:  
**A**  
AVAILABLE LENGTHS:  
**36", 48"**  
REPLACEMENT INSERT:  
**PK773 (BL, GR)**  
ANSI:  
**R3G414, R3G415**

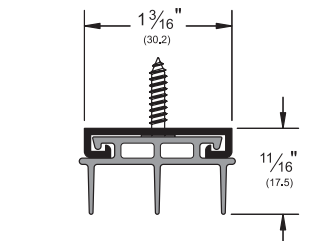


### 2343\_V

AVAILABLE FINISHES:  
**A, BSP, D, G**  
AVAILABLE LENGTHS:  
**36", 48"**  
REPLACEMENT INSERT: **EV94 (BL)**  
ANSI: **R3D414, R3D415**

Also available with  
unnotched insert:

2343\_V36UN  
2343\_V48UN

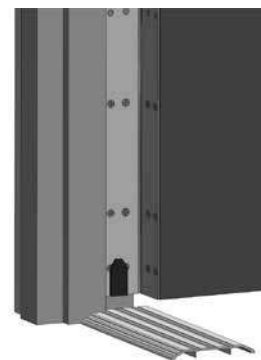
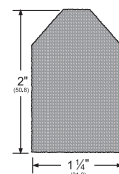


## ACOUSTIC ADHESIVE CORNER PADS

- Corner pad with black or white polypropylene pile, with pressure-sensitive adhesive
- Apply to corner of jamb on hinge side to seal against air and light infiltration

### ACP112\_

AVAILABLE COLORS: **BL, W**



AVAILABLE FINISHES FOR PRODUCTS SHOWN ON THIS PAGE

**10BE** (Satin Bronze Powder Coated Aluminum) **A** (Mill Finish Aluminum)  
**BSP** (Black Suede Powder Coated Aluminum) **D** (Dark Bronze Anodized) **G** (Gold Anodized)  
**WSP** (White Suede Powder Coated Aluminum) Corner Pad: **BL** (Black) **W** (White)

**PEMKO**  
**ASSA ABLOY**

Experience a safer  
and more open world

800-824-3018 | [www.pemko.com](http://www.pemko.com)  
Check the web site for the up-to-date catalog

Copyright © 2015-2025, ASSA ABLOY Accessories and Door Controls Group, Inc., an ASSA ABLOY Group company. All rights reserved. Reproduction in whole or in part without the express written permission of ASSA ABLOY Accessories and Door Controls Group, Inc. is prohibited.

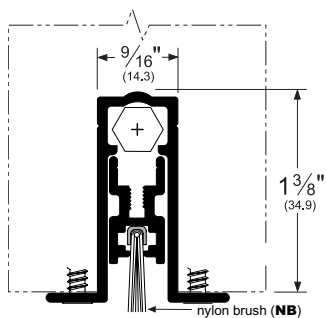
# AUTOMATIC DOOR BOTTOMS

- All Pemko Automatic Door Bottoms, 24" and up, can be manufactured for field alteration.
- Please specify when ordering: Allow 2" for field trimming

## 411\_NBL

AVAILABLE FINISH:

**A**  
 REPLACEMENT INSERT:  
**P14075 (BL, GR)**  
 ANSI:  
**R3A324, R3A325**



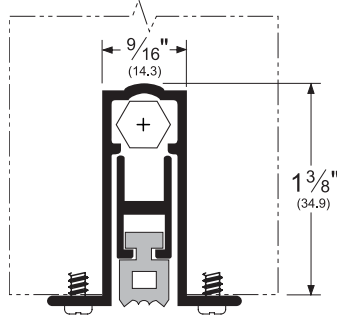
nylon brush (NB)



## 411\_RL

AVAILABLE FINISH:

**A**  
 REPLACEMENT INSERT:  
**E7 (BL)**  
 ANSI:  
**R3G324, R3G325**



sponge EPDM (R)



### Alternate Insert For 411

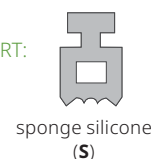
#### 411\_PKL

AVAILABLE FINISH:  
**A**  
 REPLACEMENT INSERT:  
**PK4132 (BL)**  
 ANSI: **R3G324, R3G325**



#### 411\_SL

AVAILABLE FINISH:  
**A**  
 REPLACEMENT INSERT:  
**SR6 (BL)**  
 ANSI:  
**R3E324, R3E325**



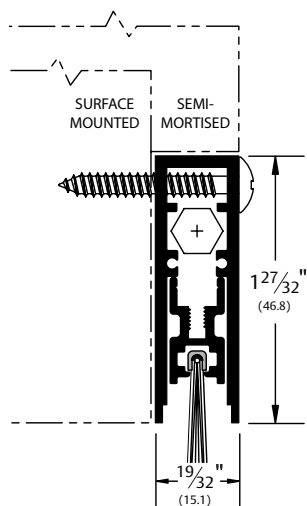
All above products



## 4131\_NBL

AVAILABLE FINISHES:

**BSP, C, D, SN**  
 REPLACEMENT INSERT:  
**P14075 (BL, GR)**  
 ANSI:  
**R3A334, R3A335, R3A344, R3A345**



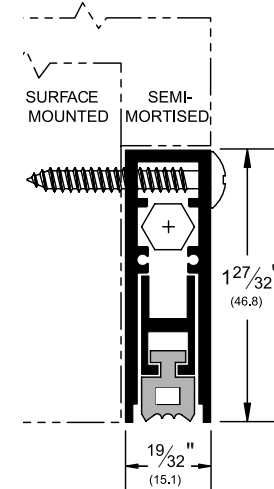
nylon brush (NB)



## 4131\_RL

AVAILABLE FINISHES:

**BSP, C, D, SN**  
 REPLACEMENT INSERT:  
**E7 (BL)**  
 ANSI:  
**R3G334, R3G335, R3G344, R3G345**



sponge EPDM (R)



### Alternate Inserts For 4131

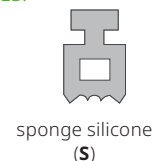
#### 4131\_PKL

AVAILABLE FINISHES:  
**BSP, C, D, SN**  
 REPLACEMENT  
 INSERT: **PK4132 (BL)**  
 ANSI: **R3G334,**  
**R3G335, R3G344,**  
**R3G345**



#### 4131\_SL

AVAILABLE FINISHES:  
**BSP, C, D, SN**  
 REPLACEMENT  
 INSERT: **SR6 (BL)**  
 ANSI: **R3E334,**  
**R3E335, R3E344,**  
**R3E345**



All above products



AVAILABLE FINISHES FOR PRODUCTS SHOWN ON THIS PAGE

**10BE** (Satin Bronze Powder Coated Aluminum) **A** (Mill Finish Aluminum)  
**BSP** (Black Suede Powder Coated Aluminum) **C** (Clear Anodized) **D** (Dark Bronze Anodized)  
**WSP** (White Suede Powder Coated Aluminum) **SN** (Satin Nickel Anodized)

800-824-3018 | www.pemko.com

Check the web site for the up-to-date catalog

Copyright © 2015-2025, ASSA ABLOY Accessories and Door Controls Group, Inc., an ASSA ABLOY Group company. All rights reserved. Reproduction in whole or in part without the express written permission of ASSA ABLOY Accessories and Door Controls Group, Inc. is prohibited.

**PEMKO**  
**ASSA ABLOY**

Experience a safer  
 and more open world

# ECO-V™ THRESHOLDS

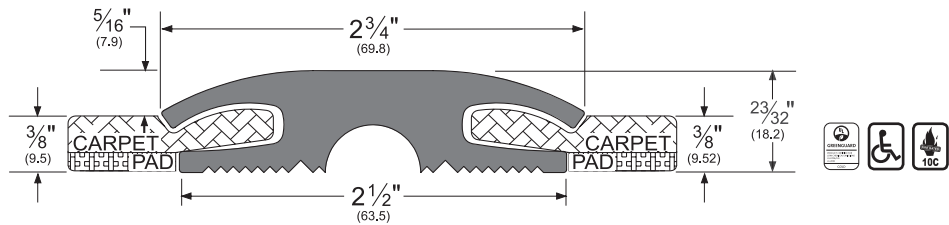
- Eco-V™ thresholds create an ideal transition where two different pieces of carpet meet, or carpet meets another surface under a door
- Ideal for use in any high-traffic commercial installation, such as hotels and offices
- Eco-V™ thresholds are manufactured from slightly softer material than competitive products. This aids in the cutting and fitting of the threshold and facilitates easier insertion of the carpet into the holding cavities on the carpet side(s) of

the threshold

- Eco-V™ thresholds are designed to work in conjunction with Pemko's **2173\_V**, **2113\_V** and **2343\_V** door shoes
- **EV232**, **EV2325**, and **ADJ232V** thresholds meet the criteria outlined in **ADAAG-2010 (Amended)**; **ICC/ANSI A117.1** and **California Building Code, Title 24** for Barrier-Free Entry - 1/2" max rise above finished floor

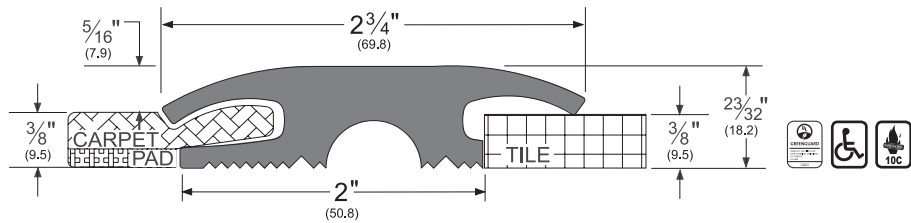
## EV232\_

AVAILABLE COLORS: **BL, D**  
 AVAILABLE LENGTHS: **36", 48", 73"**  
 Serves as a transition where two pieces of carpet meet beneath an interior door



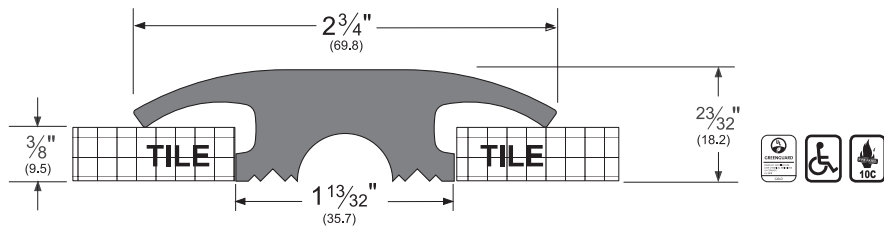
## EV2325\_

AVAILABLE COLORS: **BL, D**  
 AVAILABLE LENGTHS: **36", 48", 73"**  
 Serves as a transition where one piece of carpet meets tile beneath an interior door



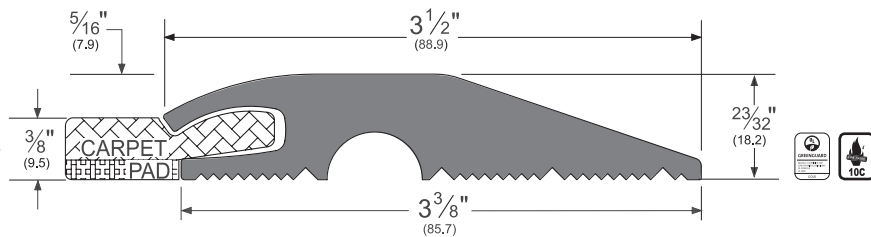
## EV2326\_

AVAILABLE COLORS: **BL, D**  
 AVAILABLE LENGTHS: **36", 48", 73"**  
 Serves as a transition where two pieces of tile meet beneath an interior door



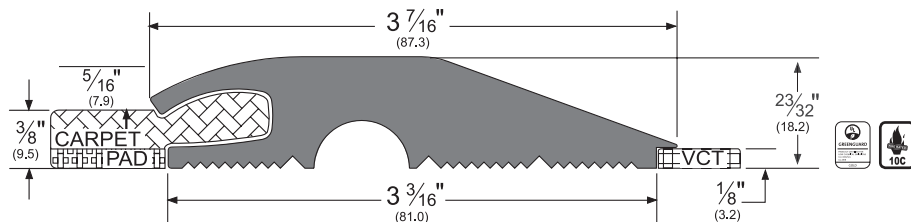
## EV2320\_

AVAILABLE COLOR: **BL**  
 AVAILABLE LENGTHS: **36", 48", 73"**  
 Serves as a transition where carpet meets concrete beneath an interior or exterior door



## EV2322\_

AVAILABLE COLOR: **BL**  
 AVAILABLE LENGTHS: **36", 48", 73"**  
 Serves as a transition where carpet meets 1/8\" tile beneath an interior door



NOTE: Products shown in this section may not be drawn to scale.

AVAILABLE FINISHES FOR PRODUCTS SHOWN ON THIS PAGE  
**BL** (Black) **D** (Dark Brown)



Experience a safer and more open world

800-824-3018 | www.pemko.com  
 Check the web site for the up-to-date catalog

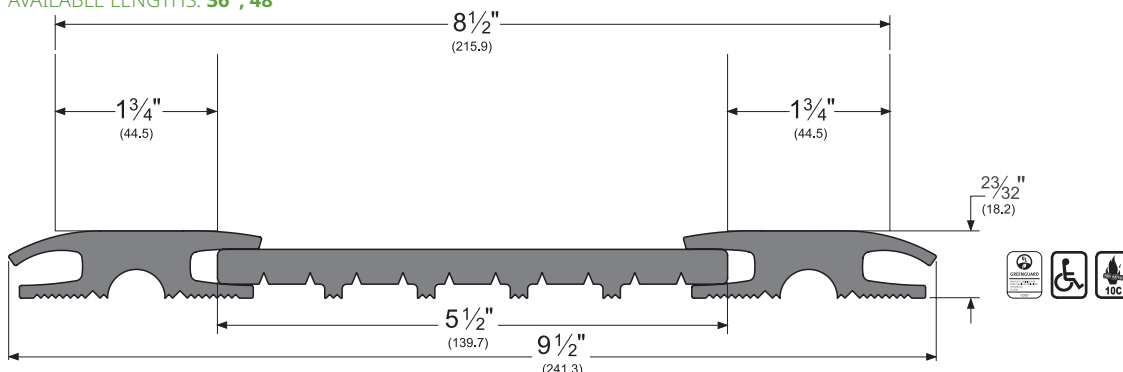
Copyright © 2015-2025, ASSA ABLOY Accessories and Door Controls Group, Inc., an ASSA ABLOY Group company. All rights reserved. Reproduction in whole or in part without the express written permission of ASSA ABLOY Accessories and Door Controls Group, Inc. is prohibited.

## ADJUSTABLE-WIDTH ECO-V™ THRESHOLD

- The adjustable-width threshold is designed for installations where the widths of the transition beneath a door may need to change, without completely disassembling and reinstalling the threshold
- The adjustable-width threshold consists of two Eco-V™ end pieces and one Eco-V™ adjustable center section
- Center section (**EV2321** below) can easily be cut to size with a standard razor knife

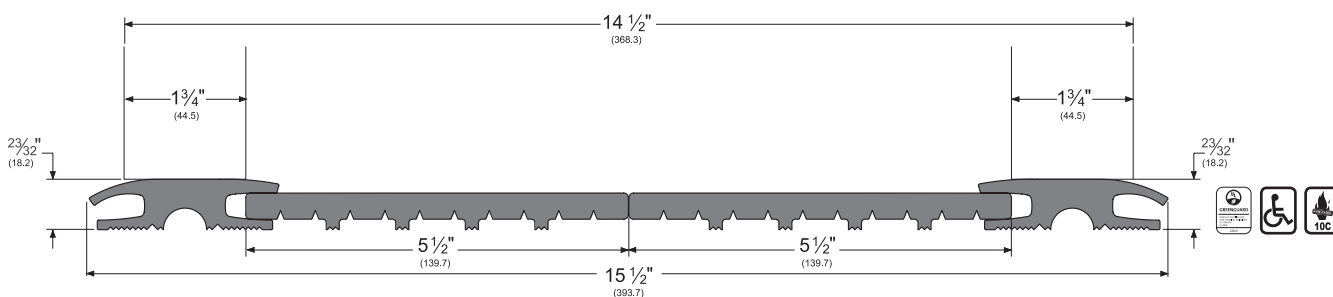
### ADJ232V8\_

AVAILABLE COLOR: **BL, D**  
 AVAILABLE LENGTHS: **36", 48"**



### ADJ232V14\_

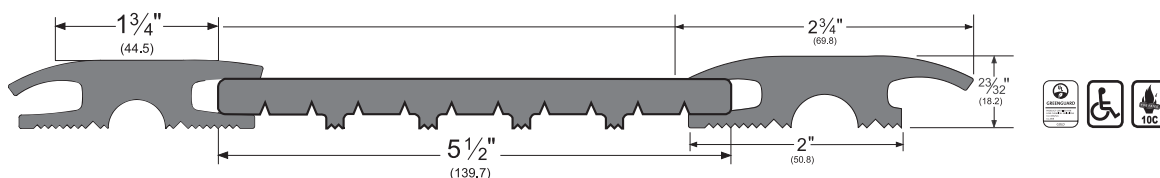
AVAILABLE COLOR: **BL, D**  
 AVAILABLE LENGTHS: **36", 48"**



### ADJ232x2325V8\_

AVAILABLE COLOR: **BL, D**  
 AVAILABLE LENGTHS: **36", 48"**

For carpet to tile applications; other combinations available



NOTE: Products shown in this section may not be drawn to scale.

AVAILABLE FINISHES FOR PRODUCTS SHOWN ON THIS PAGE  
**BL** (Black) **D** (Dark Brown)

800-824-3018 | [www.pemko.com](http://www.pemko.com)

Check the web site for the up-to-date catalog

Copyright © 2015-2025, ASSA ABLOY Accessories and Door Controls Group, Inc., an ASSA ABLOY Group company. All rights reserved.  
 Reproduction in whole or in part without the express written permission of ASSA ABLOY Accessories and Door Controls Group, Inc. is prohibited.

**PEMKO**  
**ASSA ABLOY**

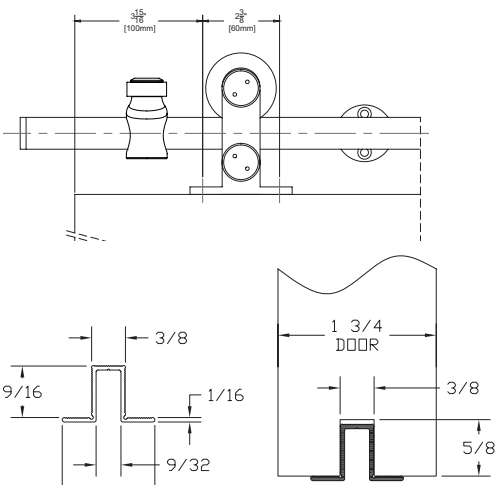
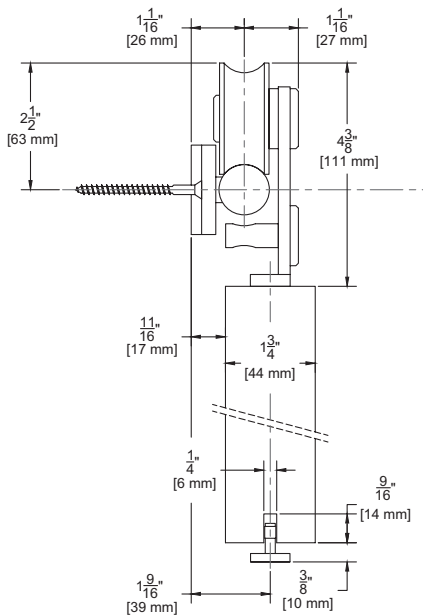
Experience a safer  
 and more open world



# STAINLESS STEEL SLIDING TRACK HARDWARE SYSTEM

## W60 SERIES FOR WOOD DOORS

For Sliding Panels up to 176 lbs.



NOTE: Alternate route dimension when using optional EPD3BL



Experience a safer and more open world

### Configurations:

- Single
- Bi-parting

### Installations:

- Side Wall Mount (only)

### Features:

- Made of 304 stainless steel
- Nylon coated stainless steel wheel for smooth operation
- 176 lb. panel capacity
- 5 year warranty
- Meets ADA push force requirements

### Finishes:

- Brushed Stainless Steel (W60)
- Black Powder Coated Stainless Steel (W60D)
- Polished Stainless Steel (W60P)

### W60 Kits Include:

- 1 ea **BAR/** Stainless Steel Track
- **BRACKET2** Stainless Steel Wall Brackets
- 2 ea **62** Stainless Steel Hangers
- 1 ea **102SS-KIT** Stainless Steel Guide
- 2 ea **STOP3** Stainless Steel Stops Mounting Hardware

NOTE: If ordering individual parts in the optional Black Powder Coat, Polished finishes be sure to include a prefix "D" for Black Powder Coat, or "P" for Polished Stainless

Standard Kit Sizes			
PART NUMBER	MATERIAL	TRACK LENGTH	DOOR WIDTH
W60/6	304 Stainless Steel	78 <sup>3</sup> / <sub>4</sub> "	36"
W60/8	304 Stainless Steel	98 <sup>7</sup> / <sub>16</sub> "	48"
W60D/6	Black Powder Coated Stainless Steel	78 <sup>3</sup> / <sub>4</sub> "	36"
W60D/8	Black Powder Coated Stainless Steel	98 <sup>7</sup> / <sub>16</sub> "	48"
W60P/6	304 Polished Stainless Steel	78 <sup>3</sup> / <sub>4</sub> "	36"
W60P/8	304 Polished Stainless Steel	98 <sup>7</sup> / <sub>16</sub> "	48"

Custom lengths are available. Please contact the factory to order.

### Options:

- Hardware Pack (One Door) **W60\_H/PACK**
- Mortise Guides **102N**
- Polypropylene Guide Rail **EPD3BL** For Use With 102N
- 5/8" Spacer **BLD-SPACER-58** Pack of 5 5/8" Spacer Recommended for use with 5/8" Gypsum Board When Mounting Track Directly to Gypsum Board

800-824-3018 | www.pemko.com

Check the web site for the up-to-date catalog

Copyright © 2015-2025, ASSA ABLOY Accessories and Door Controls Group, Inc., an ASSA ABLOY Group company. All rights reserved. Reproduction in whole or in part without the express written permission of ASSA ABLOY Accessories and Door Controls Group, Inc. is prohibited.

# CASCADING SLIDING DOOR SYSTEM

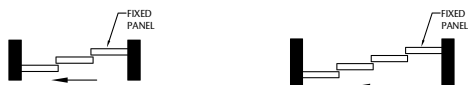
For Sliding Panels up to 200 lbs. each.



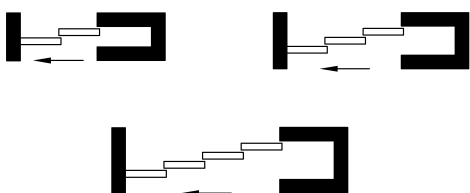
Note: All doors must be of equal width. Minimum overlap between doors is 2".

## Cased Opening

NOTE: Aluminum "T" Guide **102PB** Shown Under Options Must be Ordered Separately for Fixed Panel in Cased Opening Application



## Pocket



## Side Wall Mount

NOTE: Side Wall track Brackets Shown Under Options Must be Ordered Separately for Side Wall Mount Openings



## Configurations:

- Bi-part Telescoping
- Single Direction Telescoping

## Features:

- Opening and closing of lead door results in the trailing doors to follow because of interlocking hardware at door top edges
- Easy to install with self aligning components on 1 3/4" and 1 3/8" thick doors
- Telescoping panels glide along the track
- Solid steel catches with rubber bumpers ensure durable yet quiet operation
- 200 lb. per door weight capacity
- 5 year warranty

## Cascading Kit Includes:

- CAS-05** Catches - Mechanical Catch system - 2 Per Door
- 601H** - Track Stops - 2 Per Door
- H222R1** - Hangers - 2 Per Door
- DBG-02R1** - Door Bottom Guides - 1 Per Door
- TELS-23** - End Plates - 2 Per Door
- 2802C** - Single Extrusion - Dual Track
- 280C** - Single Extrusion - Single Track
- C1076-TC** - Track Connector for CAS200A-4/\_ Kits
- EPD3-BL** - Polypropylene Guide Rails - 1 Per Door
- WRENCH14** - 1 Hanger Wrench Hardware Fasteners

Cascading System Kits			
PART NUMBER	TRACK LENGTH	# OF DOORS	INSTALLATION
CAS200A-2/6	6'	2	Pocket Side Wall
CAS200A-2/8	8'	2	
CAS200A-2/10	10'	2	
CAS200A-2/12	12'	2	Pocket Cased Opening Side Wall
CAS200A-3/8	8'	3	
CAS200A-3/10	10'	3	
CAS200A-3/12	12'	3	
CAS200A-3/16	16'	3	Pocket Cased Opening
CAS200A-4/8	8'	4	
CAS200A-4/10	10'	4	
CAS200A-4/12	12'	4	
CAS200A-4/16	16'	4	

For special number of doors and for dark bronze track, please contact Technical Support for more information

## Options:

Lock Kit	<b>SIM150-LOCKKIT</b> includes lock with edge pull and cup pull
Bolt Kit	<b>SIM150-BOLTKIT</b> includes surface bolt, dust-proof strike, cup pull, and edge pull
Fascia	<b>F134C</b> Snap-on Fascia
Splice Kit	<b>C1076-2SPLKIT</b> for use with Bi-Parting systems and 2802C Track <b>C1076-3SPLKIT</b> for use with Bi-Parting systems and 2803C Track
Back Stop	<b>TELS-25</b> for use with pocket systems when no access to in track stops in pocket
Aluminum "T" Guide	<b>102PB</b> for use with fixed panel in cased opening applications
Side Wall Track Bracket	<b>2812KIT</b> for use with 2802C Track (1 for every 12" of track) <b>2813KIT</b> for use with 2803C Track (1 for every 12" of track)
Side Wall Joining Bracket	<b>2813-5KIT</b> for use with Side Wall Bi-Parting systems and <b>2803C</b> Track

800-824-3018 | www.pemko.com

Check the web site for the up-to-date catalog

Copyright © 2015-2025, ASSA ABLOY Accessories and Door Controls Group, Inc., an ASSA ABLOY Group company. All rights reserved. Reproduction in whole or in part without the express written permission of ASSA ABLOY Accessories and Door Controls Group, Inc. is prohibited.

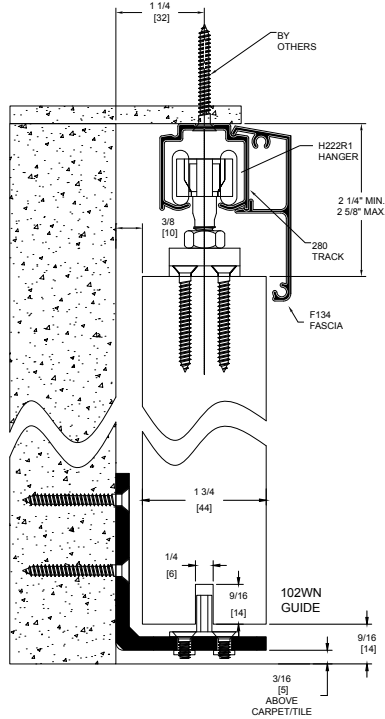
**PEMKO**  
**ASSA ABLOY**

Experience a safer  
and more open world

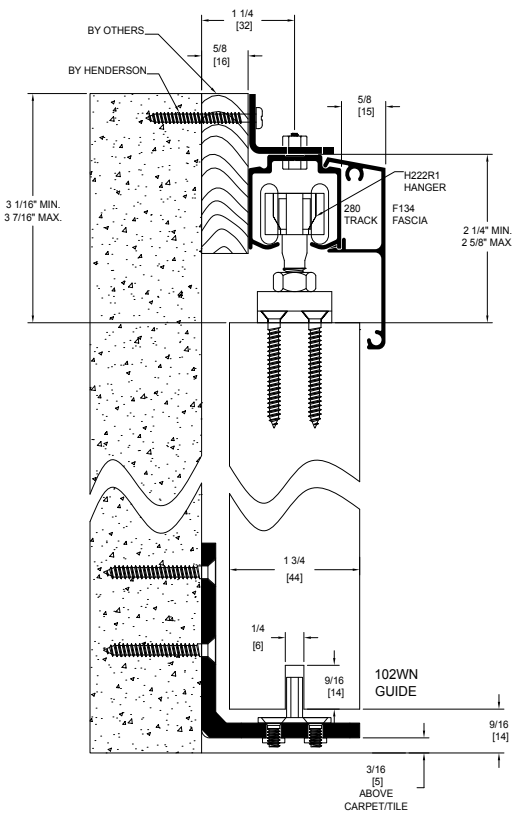
# SHS80 SERIES

For Sliding Panels up to 200 lbs.

## Overhead Mount



## Side Wall Mount



### Configurations:

- Single
- Bi-parting

### Installations:

- Overhead Mount
- Side Wall Mount

### Features:

- Hanger body is made of nickel plated zinc alloy for durability and long life
- Steel ball bearing wheels coated in nylon for smooth operation
- 200 lb. panel capacity
- Optional Soft Close
- 5 year warranty
- Meets ADA push force requirements

### SHS80 Kits Include:

- 1 ea **280C** Clear Anodized Aluminum Track
- 2 ea **H222R1** - Nickel Plated Zinc Alloy Body
- 2 ea **601H** Nylon In-Track Clip Stop
- 1 ea **102WN** White Nylon Mortise Guide on Zinc Plated Steel "L" Metal

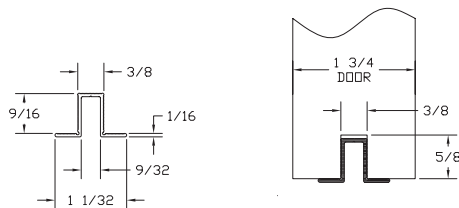
### Standard Kit Sizes

PART NUMBER	MATERIAL	TRACK LENGTH	DOOR WIDTH
SHS80/6	Aluminum	72"	36"
SHS80/8	Aluminum	96"	48"

### Options:

- Fascia **F134C** clear anodized aluminum fascia
- F134D** dark bronze anodized fascia
- Side Wall Track Brackets **PC2815** available as 5 pack only, PC2815 pack of 5 281 zinc plated side wall bracket. NOTE: Need one at each end and no more than 2 feet in-between. Fasteners included.
- Track **280D** dark bronze anodized track
- End Plate Kit **K134EP** (use with F134C and 280C only)
- Bottom Channel **94A**
- Roller Guide **106R/94**
- Threshold **971A**
- Side Wall Mount **SHS80/PACK**
- Extra Hardware Pack **102N**
- Mortise Floor Guide **EPD3BL** for use with 102N or 102WN
- Polypropylene Guide Rail **EPD3BL** for use with 102N or 102WN
- Soft Close available. See page 256-258 for more information.

### Alternate Route for EPD3BL

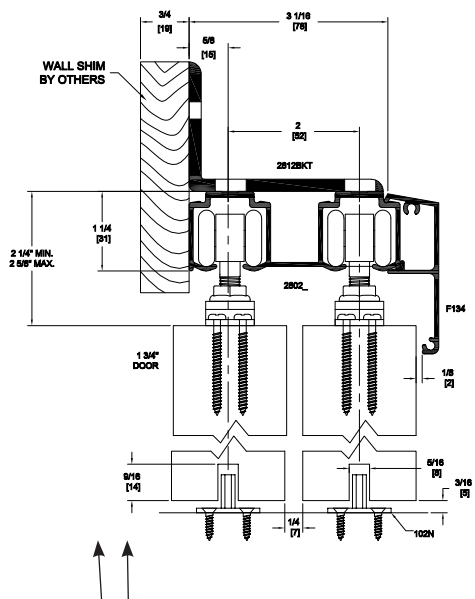


Experience a safer and more open world

# BYPASS TRACK SERIES

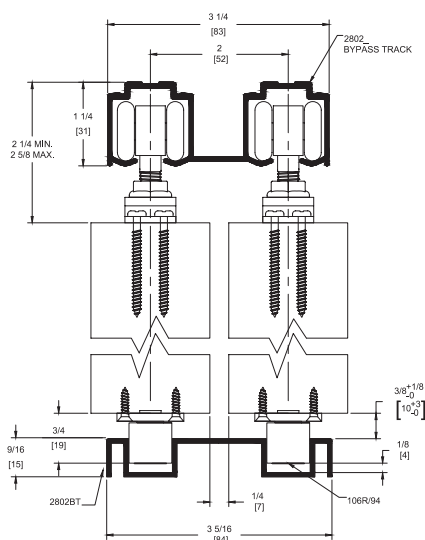
For Bypass Panels up to 200 lbs.

## 1 3/4" Thick Doors Side Wall Mount



NOTE: Route door 9/16" deep by 1/4" wide to receive 102N Guide.

## 1 3/4" Thick Doors Overhead Mount



\* Side Wall mounting: use one (1) 2812KIT at each end of track and 24" on center

### Configurations:

- For Bypass Doors

### Features:

- Fits 1 3/8" and 1 3/4" doors
- Hanger body is made of nickel plated zinc alloy for durability and long life
- Steel ball bearing wheels coated in nylon for smooth operation
- 200 lb. panel capacity
- Load capacity 200 lbs. per door panel (2 hangers)
- Extruded aluminum track
- Optional Soft Close
- 5 year warranty
- Meets ADA push force requirements

### HBP200A Kits Include:

- 1 ea **2802C** Clear Anodized Aluminum Track
- 4 ea **H222R1** Hangers
- 2 ea **102N** White Nylon Mortise Guide
- 4 ea **TELS-14KIT** In Track Stops
- 1 ea Adjusting Wrench and Mounting Hardware

Standard Kit Sizes		
PART NUMBER	TRACK LENGTH	DOOR WIDTH
HBP200A/4	48"	2 @ 26" Min*
HBP200A/5/4	64"	2 @ 34" Min*
HBP200A/6	72"	2 @ 38" Min*
HBP200A/7	84"	2 @ 44" Min*
HBP200A/8	96"	2 @ 50" Min*
HBP200A/10	120"	2 @ 62" Min*
HBP200A/12	144"	2 @ 74" Min*

\*Minimum door overlap is 2".

### Options:

- Hardware Kit **H200PACK**
  - Mounting Bracket **2812KIT**
  - Track **2802D** dark bronze anodized track
  - Track Stop (bumper) **287R1-KIT**
  - Bottom Channel **94A**
  - Fascia, Snap-On **F134C** clear anodized aluminum fascia. **F134D** dark bronze anodized aluminum fascia
  - Roller Guide **106R/94**
  - Dual Guide Channel **2802BT**
  - Polypropylene Guide Rail **EPD3BL** for use with 102N
- Soft Close available. See page 256-258 for more information.

AVAILABLE FINISHES FOR PRODUCTS SHOWN ON THIS PAGE

A (Mill Finish Aluminum) C (Clear Anodized)  
800-824-3018 | www.pemko.com

Check the web site for the up-to-date catalog

Copyright © 2015-2025, ASSA ABLOY Accessories and Door Controls Group, Inc., an ASSA ABLOY Group company. All rights reserved. Reproduction in whole or in part without the express written permission of ASSA ABLOY Accessories and Door Controls Group, Inc. is prohibited.

**PEMKO**  
**ASSA ABLOY**

Experience a safer  
and more open world

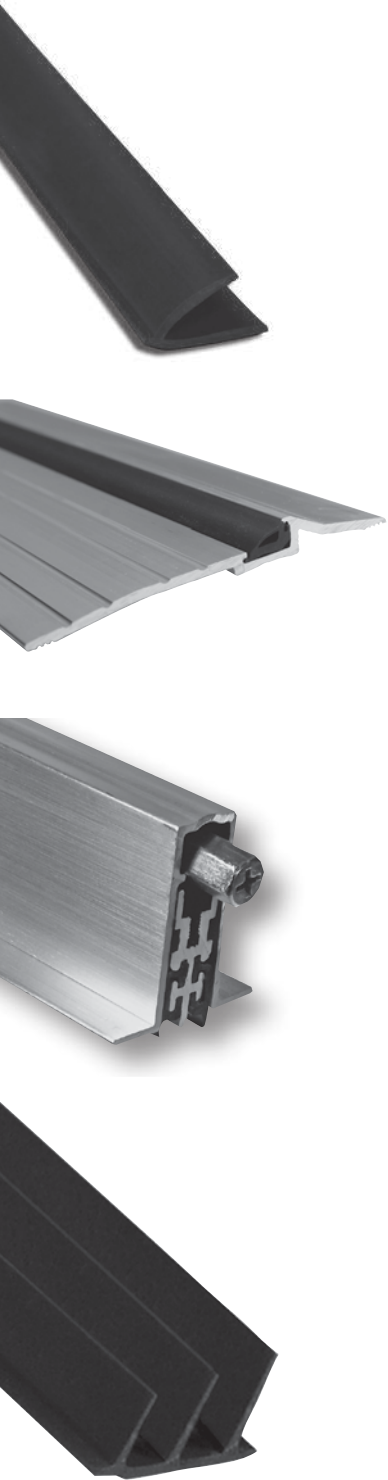
# PEMKO ACOUSTIC PRODUCTS

## CONTENTS:

Basic Acoustic Information .....	198
Acoustic Seal Sets .....	200
Acoustic Thresholds .....	201
Saddle Thresholds .....	202
Automatic Door Bottoms - Acoustic .....	203
Door Shoes .....	203
Acoustic Adhesive Corner Pads .....	203
Standard Perimeter Gasketing .....	204
SiliconSeal Adhesive-Backed Gasketing .....	204

## INDEX:

<u>PRODUCT</u>	<u>PAGE</u>	<u>PRODUCT</u>	<u>PAGE</u>	<u>PRODUCT</u>	<u>PAGE</u>
151 .....	202	2006STC_ .....	201	S44.....	204
154 .....	202	2008.....	201	S442 .....	204
175 .....	202	2009.....	201	S773.....	204
303.....	204	2212.....	203	STC411.....	203
312 .....	204	3692.....	203	STC4131 .....	203
315 .....	204	ACP112.....	203		
1547.....	202	PEMKOSTCSET .....	200		



## The Impact of Sound

Everyday our ears are met with a barrage of sounds. Sounds can be pleasant, like music or laughter. But they can also be disruptive, like construction or traffic, or even just the people in the cubicle next door. At a certain point sound becomes noise and we look for ways to control it. Sound control is especially important in classrooms, hospitals, hotels and offices, as it impacts our ability to learn, heal, sleep and think. The U.S. Green Building Council recognizes the importance of acoustical control by including LEED Indoor Environment Quality (IEQ) credits for acoustics.

## Description of Sound

Sound can be described as vibrations in the air moving in waves. The rate of sound vibrations measured in cycles per second is called frequency and is measured in hertz (Hz). Sound pressure levels are measured in decibels (dB). For a list of common noises and their related decibel level, see the chart on the right.

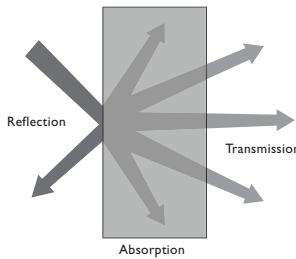
Sound Level dB		
0	Threshold of hearing	Inaudible
20	Very rural environment	Extremely quiet
30	Quiet home	Faint
40	Quiet office	Distant sounds audible
50	Background conversation	Moderate
60	Radio/Television in home	Moderate
70	Highway noise	Moderately loud
80	Background factory noise	Loud
90	Noisy factory	Very loud
105	Elevated train	Deafening
120	Bass drum at 3'	Physical pain
130	Jet aircraft at 100'	Physical pain

## Basic Acoustics

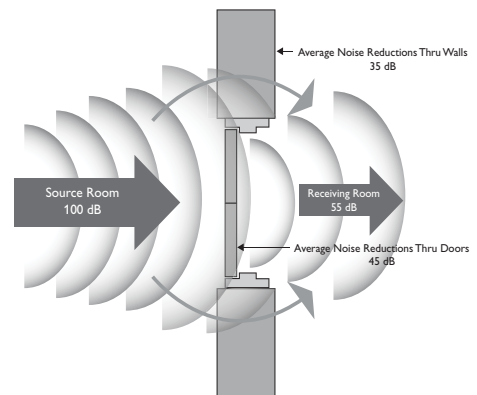
Sound transmission reduction relies on two main principles:

**Sound Absorption** - Removing sound energy from within a room by using materials such as acoustic tiles or open cell foam to soak up sound.

**Sound Insulation** - Preventing the transmission of sound waves by introducing a barrier. Examples include brick, concrete, metal, heavy doors, etc.



Sound waves will travel the path of least resistance. A high performing door will not compensate for less performing materials in the walls around it.



In order to reduce the transmission of sound, materials are added between the source room and the receiving room. The resulting change in decibel level is the sound transmission loss and is given a Sound Transmission Class (STC) rating. The higher the rating number, the lower the transmission of sound. The STC rating is roughly the decibel reduction a partition can provide. For instance, if a 100 dB noise is reduced to 55 dB, that product roughly has a STC 45 rating.



Experience a safer and more open world

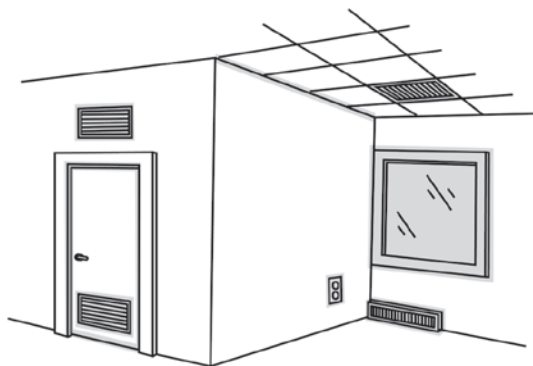
800-824-3018 | [www.pemko.com](http://www.pemko.com)  
Check the web site for the up-to-date catalog

Copyright © 2015-2025, ASSA ABLOY Accessories and Door Controls Group, Inc., an ASSA ABLOY Group company. All rights reserved. Reproduction in whole or in part without the express written permission of ASSA ABLOY Accessories and Door Controls Group, Inc. is prohibited.

## Sound Flanking

Flanking is the leakage of airborne sound around a door opening through any available gap. Flanking between the door leaf and the surrounding frame is reduced by the use of seals.

Optimum sound attenuation performance is likely achieved using a four sided frame with a sill made to the same detail as the head and the seals set in a single plane. If a full four sided frame is not an option, then alternative threshold sealing options should be made such as automatic door bottoms, door shoes and/or thresholds.



Active STC Rating	Level Of Speech Heard
STC-30	Loud speech understood
STC-35	Loud speech heard but not understood
STC-40	Loud speech audible as a murmur
STC-45	Some loud speech barely audible
STC-48	Hearing strained to hear loud speech
STC-50	Loud speech not audible

## STC Ratings

Acoustic Door Testing is done on “sealed-in-place” (fully caulked) doors for door STC ratings, as well as on assemblies (with gasketing and door bottoms) for operable STC ratings. Operable STC ratings are always equal to or lower than the sealed-in-place ratings. The best performance rating on the operable test is a 'zero drop' in the assembly's STC rating. For example, a door with a STC 45 rating can only achieve an operable STC of 45 at its very best; it can never achieve a STC 50.

Also, since sound waves travel the path of least resistance, a high performing door will not compensate for elements like improperly installed seals around doors, the lack of a threshold under the door, a non-insulated frame, louvered doors, or poor seals at the wall/ceiling/floor/mullion connections.

When STC ratings are determined, normal human speech and hearing are used. In most cases the level of reduction does not totally eliminate but rather muffles the sound to an unintelligible level. The chart shown on the left compares the level of speech that would be heard through a door system with the indicated operable STC rating.

Look for Pemko products with this symbol:



Tested To: ASTM E 90-2009

Products indicated by this symbol have been acoustically tested in accordance with ASTM E90 - Standard Test Method for Laboratory Measurement of Airborne Sound Transmission Loss of Building Partitions and Elements.

### Need STC Rated Doors?

Pemko Acoustic Seal Sets are an important part of an overall acoustic solution. ASSA ABLOY Group brands can provide the other elements of the solution including STC Rated Doors, STC Rated Frames and complete STC Rated Assemblies.

For more information please see:

CECO DOORS: [www.cecodoor.com](http://www.cecodoor.com)  
 CURRIES: [www.curries.com](http://www.curries.com)

# Acoustic Seal Sets

Pemko acoustic components are available in their appropriate sets. These product combinations are lab tested and have known decibel drops when used with sound-rated doors. Each kit includes gasketing, a door bottom or threshold, and a complete set of installation instructions. Installation instructions show the proper installation location for each component for optimal performance.

## HOW TO:

1. Locate the Sealed-In-Place (inoperable) rating for your door.
2. Determine the maximum allowable drop for your opening (i.e. -1 db). Note: the numbers are represented as negative numbers as they will decrease your inoperable rating by the number shown (i.e. 45 using a -1 kit will decrease the inoperable rating from 45 to an operable of 44)
3. Find a number in the column below your door's inoperable rating that will keep your opening in the allowable range.
4. Select a kit (or one of the kits given if Alternate Kits are shown), place it on your Purchase Order and add your opening size in inches (i.e. a 3/0 x 7/0 opening will be ordered as a 3684).

Item Number	Sealed-In-Place Door STC Rating				
	58 to 54	53 to 49	48 to 46	45 to 43	<42
PEMKOSTCSET-1A Alternate Kits: 1B, 1C, 1D, 1E		-2	-2	-1	0
PEMKOSTCSET-2C	-3	-2	-2	-1	0
PEMKOSTCSET-2D Alternate Kits: 2A, 2B	-3	-2	-1	-1	0
PEMKOSTCSET-2E	-2	-2	-1	-1	0
PEMKOSTCSET-3A		-2	-1	0	0
PEMKOSTCSET-3D		-2	-1	0	0
PEMKOSTCSET-3E	-2	-2	-1	0	0
PEMKOSTCSET-3B				0	0
PEMKOSTCSET-4A	-3	-2	-1	0	0
PEMKOSTCSET-4B	-3	-2	-1	0	0
PEMKOSTCSET-4D	-3	-2	-1	0	0
PEMKOSTCSET-4E	-2	-2	-1	0	0

NOTE: A seal set cannot increase the sealed-in-place rating; a zero drop is the best performance any seal set can provide.

Item Number	Gasketing	Door Bottom	Threshold	Corner Pad
PEMKOSTCSET-1A	S773BL (Single Row) and S44BL (Single Row)	STC411APK		ACP112BL
PEMKOSTCSET-1B	S44BL (Two Rows)	STC411APK		ACP112BL
PEMKOSTCSET-1C	S442BL (Single Row) and S44BL (Single Row)	STC411APK		ACP112BL
PEMKOSTCSET-1D	303AS and S44BL (Single Row)	STC411APK		ACP112BL
PEMKOSTCSET-1E	312CR and S44BL (Single Row)	STC411APK		ACP112BL
PEMKOSTCSET-2A	S773BL (Single Row) and S44BL (Single Row)		2008APK	
PEMKOSTCSET-2B	S44BL (Two Rows)		2008APK	
PEMKOSTCSET-2C	S442BL (Single Row) and S44BL (Single Row)		2008APK	
PEMKOSTCSET-2D	303AS and S44BL (Single Row)		2008APK	
PEMKOSTCSET-2E	312CR and S44BL (Single Row)		2008APK	
PEMKOSTCSET-3A	S773BL (Single Row) and S44BL (Single Row)	3692APK773BL		
PEMKOSTCSET-3B	S44BL (Two Rows)	3692APK773BL		
PEMKOSTCSET-3D	303AS and S44BL (Single Row)	3692APK773BL		
PEMKOSTCSET-3E	312CR and S44BL (Single Row)	3692APK773BL		
PEMKOSTCSET-4A	S773BL (Single Row) and S44BL (Single Row)		2009APK	
PEMKOSTCSET-4B	S44BL (Two Rows)		2009APK	
PEMKOSTCSET-4D	303AS and S44BL (Single Row)		2009APK	
PEMKOSTCSET-4E	312CR and S44BL (Single Row)		2009APK	

NOTE: 2008PK and 2009PK have acoustic equivalency.



Experience a safer and more open world

800-824-3018 | [www.pemko.com](http://www.pemko.com)  
Check the web site for the up-to-date catalog

Copyright © 2015-2025, ASSA ABLOY Accessories and Door Controls Group, Inc., an ASSA ABLOY Group company. All rights reserved. Reproduction in whole or in part without the express written permission of ASSA ABLOY Accessories and Door Controls Group, Inc. is prohibited.



## ACOUSTIC THRESHOLDS

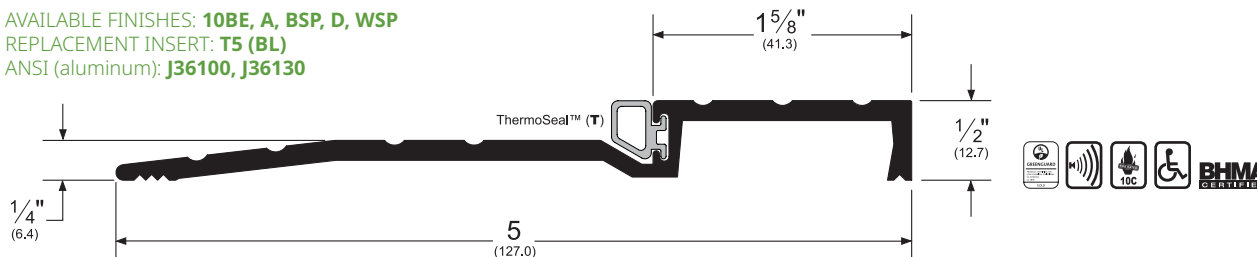
- Pemko Acoustic Thresholds are designed to aid with a door's STC rating
- Thresholds will not improve a door's "sealed in-place" STC rating
- Visit [www.assaabloydooraccessories.us](http://www.assaabloydooraccessories.us), for more Acoustic products and additional information

### 2006STC\_

AVAILABLE FINISHES: **10BE, A, BSP, D, WSP**

REPLACEMENT INSERT: **T5 (BL)**

ANSI (aluminum): **J36100, J36130**

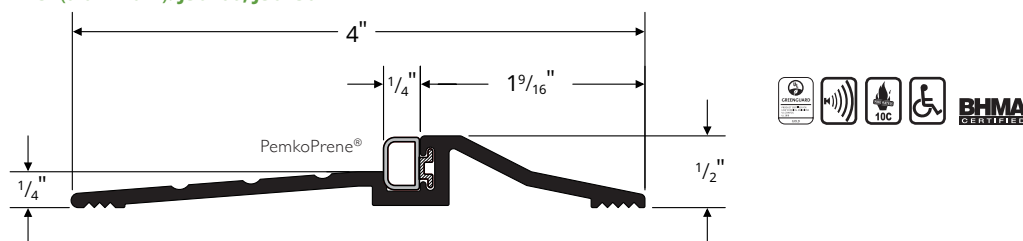


### 2008\_PK

AVAILABLE FINISHES: **10BE, A, BSP, D, WSP**

REPLACEMENT INSERT: **PK381 (BL)**

ANSI (aluminum): **J36100, J36130**



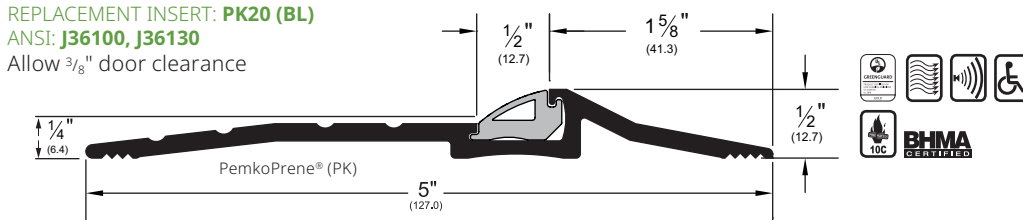
### 2009\_PK

AVAILABLE FINISHES: **10BE, A, BSP, D, WSP**

REPLACEMENT INSERT: **PK20 (BL)**

ANSI: **J36100, J36130**

Allow 3/8" door clearance



#### AVAILABLE FINISHES FOR PRODUCTS SHOWN ON THIS PAGE

**10BE** (Satin Bronze Powder Coated Aluminum) **A** (Mill Finish Aluminum)

**BSP** (Black Suede Powder Coated Aluminum) **D** (Dark Bronze Anodized)

**WSP** (White Suede Powder Coated Aluminum)

800-824-3018 | [www.pemko.com](http://www.pemko.com)

Check the web site for the up-to-date catalog

Copyright © 2015-2025, ASSA ABLOY Accessories and Door Controls Group, Inc., an ASSA ABLOY Group company. All rights reserved. Reproduction in whole or in part without the express written permission of ASSA ABLOY Accessories and Door Controls Group, Inc. is prohibited.

**PEMKO**  
**ASSA ABLOY**

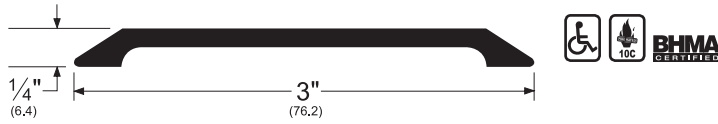
Experience a safer  
and more open world

# SADDLE THRESHOLDS

- Use these with Pemko Automatic Door Bottoms to create a smooth, even sealing surface

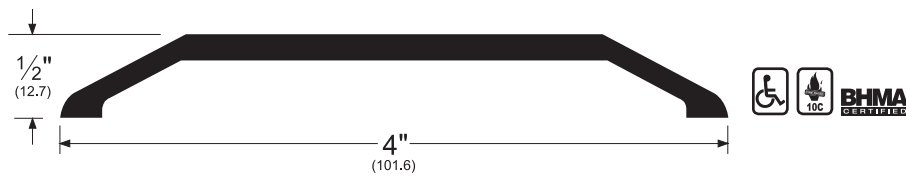
## 151\_

AVAILABLE FINISHES: **10BE**, **A**, **B**, **BSP**, **D**, **WSP**  
 ANSI (aluminum): **J32300**, **J32330**  
 ANSI (brass): **J12300**, **J12330**



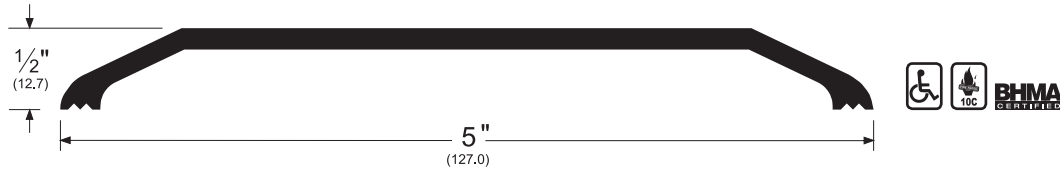
## 175\_

AVAILABLE FINISHES: **10BE**, **A**, **B**, **BSP**, **D**, **WSP**  
 ANSI (aluminum): **J32300**, **J32330**  
 ANSI (brass): **J12300**, **J12330**



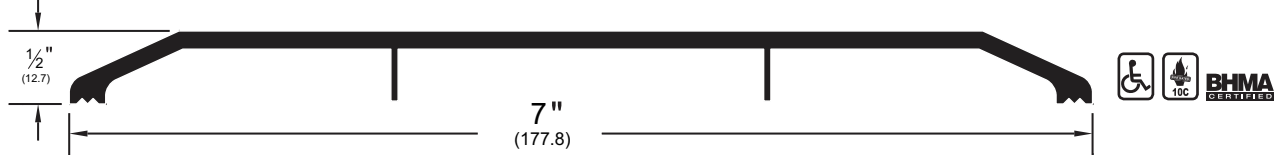
## 154\_

AVAILABLE FINISHES: **10BE**, **A**, **BSP**, **D**, **WSP**  
 ANSI (aluminum): **J32300**, **J32330**



## 1547\_

AVAILABLE FINISHES: **10BE**, **A**, **BSP**, **WSP**  
 ANSI (aluminum): **J32300**, **J32330**



AVAILABLE FINISHES FOR PRODUCTS SHOWN ON THIS PAGE  
**10BE** (Satin Bronze Powder Coated Aluminum) **A** (Mill Finish Aluminum)  
**B** (Mill Finish [Brass] Bronze) **BSP** (Black Suede Powder Coated Aluminum)  
**D** (Dark Bronze Anodized) **WSP** (White Suede Powder Coated Aluminum)



Experience a safer and more open world

800-824-3018 | www.pemko.com  
 Check the web site for the up-to-date catalog

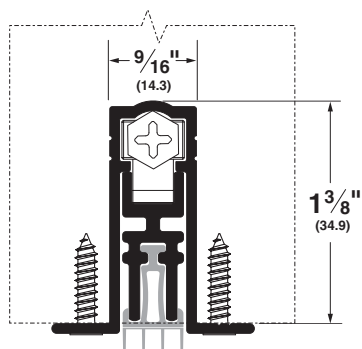
Copyright © 2015-2025, ASSA ABLOY Accessories and Door Controls Group, Inc., an ASSA ABLOY Group company. All rights reserved. Reproduction in whole or in part without the express written permission of ASSA ABLOY Accessories and Door Controls Group, Inc. is prohibited.

## AUTOMATIC DOOR BOTTOMS - ACOUSTIC

- Non-handed
- Recommended gap under door is 1/2" for optimal acoustic performance max drop is 3/4"
- Internal mechanism allows bar to accommodate slight imperfections in floor materials
- STC411 end plate kit is K435; for doors narrower than 1-3/4", specify end plate kit K411
- STC4131 end plate kit is K4133C for Clear Anodized and K4133D for Dark Bronze Anodized

### STC411\_PK

AVAILABLE FINISHES: **A**  
REPLACEMENT INSERT:  
**PK4111 (BL)**  
ANSI: **R3G324, R3G325**

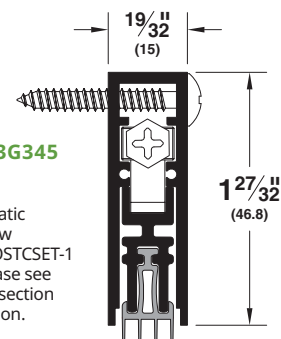


### STC4131\_PK

AVAILABLE FINISHES: **10BE, BSP, C, D, WSP**  
REPLACEMENT INSERT: **PK4111 (BL)**  
ANSI: **R3G334, R3G335, R3G344, R3G345**



NOTE:  
STC411\_PK Automatic Door Bottom is now included in PEMKOSTCSET-1 (A through E). Please see Acoustic Products section for more information.

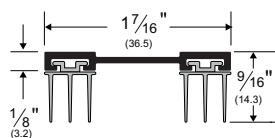


## DOOR SHOES

- Slotted holes for easy adjustment
- Provided with stainless steel fasteners
- Use a flat saddle to create a positive sealing surface that ensures maximum acoustic performance

### 3692\_PK773

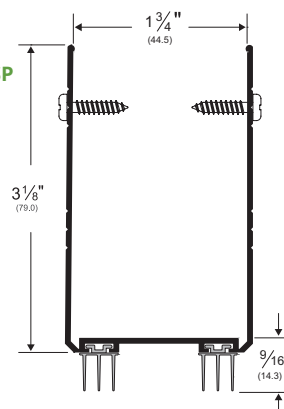
AVAILABLE FINISH: **A**  
AVAILABLE LENGTHS: **36", 48"**  
REPLACEMENT INSERT: **PK773 (BL, GR)**  
ANSI: **R3G414, R3G415**



### 2212\_PK773

AVAILABLE FINISHES: **10BE, A, BSP, WSP**  
REPLACEMENT INSERT: **PK773 (BL)**  
ANSI: **R3G416**

- Combination door shoe and kick plate
- Excellent Acoustic performance

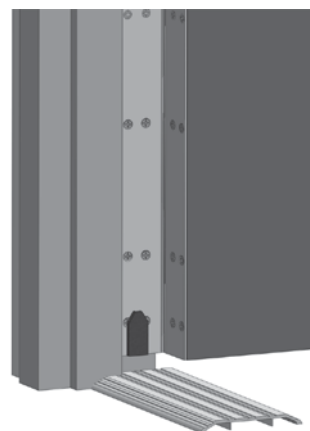
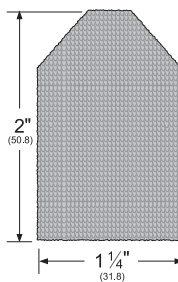


## ACOUSTIC ADHESIVE CORNER PADS

- Corner pad with black or white polypropylene pile, with pressure-sensitive adhesive
- Apply to corner of jamb on hinge side to seal against air and light infiltration

### ACP112\_

AVAILABLE COLORS: **BL, W**



NOTE: Products shown in this section may not be drawn to scale.

AVAILABLE FINISHES FOR PRODUCTS SHOWN ON THIS PAGE  
**10BE** (Satin Bronze Powder Coated Aluminum) **A** (Mill Finish Aluminum)  
**BSP** (Black Suede Powder Coated Aluminum) **C** (Clear Anodized)  
**D** (Dark Bronze Anodized) **WSP** (White Suede Powder Coated Aluminum)  
Corner Pads: **BL** (Black) **W** (White)

800-824-3018 | [www.pemko.com](http://www.pemko.com)

Check the web site for the up-to-date catalog

Copyright © 2015-2025, ASSA ABLOY Accessories and Door Controls Group, Inc., an ASSA ABLOY Group company. All rights reserved. Reproduction in whole or in part without the express written permission of ASSA ABLOY Accessories and Door Controls Group, Inc. is prohibited.

**PEMKO**  
**ASSA ABLOY**

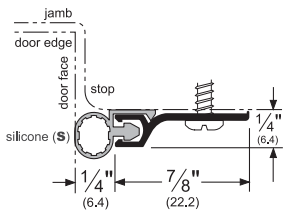
Experience a safer  
and more open world

## STANDARD PERIMETER GASKETING

- Rigid jamb weatherstrip shown mounted on openings with  $\frac{1}{16}$ " gaps; however, each weatherstrip can seal gaps up to the depth of its seal. Seal depth provided on each illustration (example: the **303** has a  $\frac{1}{4}$ " seal; therefore, it can seal up to a  $\frac{1}{4}$ " gap)
- Punched on 6" centers with slotted holes for adjustment
- Model 303 is available with self-adhesive two-sided tape (TST) and tek screws (3 slotted holes per part) for easy installation. To obtain this option, add "TST" to the end of the part when ordering (example: **303AVTST**)
- Pemko is continually commissioning tests for acoustic assemblies. More profiles may be tested from this category. Please contact Customer Service if the options here don't suit your application.

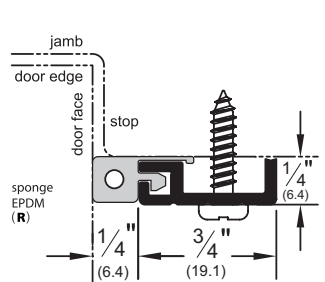
### 303\_S

AVAILABLE FINISHES:  
**10BE, A, BSP, C, D, G, PW, SN, WSP**  
 REPLACEMENT INSERT: **S3 (BL, GR, W)**  
 ANSI: **R3E164, R3E165**



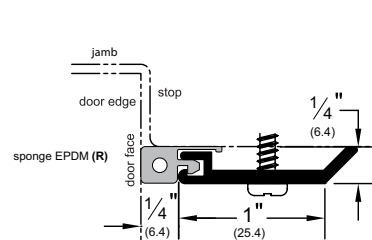
### 312\_R

AVAILABLE FINISHES: **10BE, BSP, C, D, WSP**  
 REPLACEMENT INSERT: **ER9BL (BL)**  
 ANSI (alum): **R3G164, R3G165**



### 315\_R

AVAILABLE FINISHES: **10BE, BSP, C, D, WSP**  
 REPLACEMENT INSERT: **ER9BL (BL)**  
 ANSI (alum): **R3G164, R3G165**



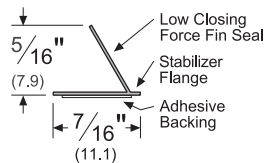
## SILICONSEAL ADHESIVE-BACKED GASKETING

- SiliconSeal is extruded from high-temperature silicone; effective between -58°F and 450°F
- Self-extinguishing and non-toxic; unaffected by sunlight, ozone, and ultraviolet rays
- Impervious to fungus and mildew; will not deteriorate under normal exposure
- Meets FAR 25.853 Airworthiness Standards for Compartment Interiors

### S44

AVAILABLE FINISHES: **BL, C, D, GR, W**  
 AVAILABLE LENGTHS: **17', 18', 20', 21', 25', 30', 204', 510'**  
 ANSI: **ROE154, ROE155**

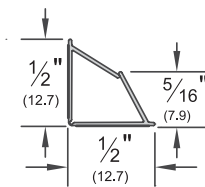
- Designed for tighter frames
- Demonstrates extremely low closing force
- Seal begins compressing at  $\frac{5}{16}$ "; compresses to seal up to a  $\frac{1}{16}$ " gap



### S442

AVAILABLE FINISHES: **BL, D, W**  
 AVAILABLE LENGTHS: **17', 18', 20', 21', 25', 30', 510'**  
 ANSI: **ROE154, ROE155**

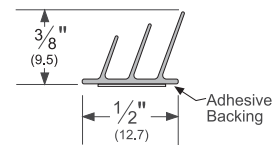
- Fits flush into corner
- Seal begins compressing at  $\frac{5}{16}$ "; compresses to seal up to a  $\frac{1}{16}$ " gap in either direction



### S773

AVAILABLE FINISHES: **BL, D, GR, W**  
 AVAILABLE LENGTHS: **17', 18', 20', 21', 25', 30', 250', 500'**  
 ANSI: **ROE154, ROE155**

- Triple-fin design effectively blocks light and sound from infiltrating a room
- Seal begins compressing at  $\frac{3}{8}$ "; compresses to seal up to a  $\frac{3}{32}$ " gap



NOTE: Products shown in this section may not be drawn to scale.

AVAILABLE FINISHES FOR PRODUCTS SHOWN ON THIS PAGE

Metal: **10BE** (Satin Bronze Powder Coated Aluminum) **A** (Mill Finish Aluminum)  
**BSP** (Black Suede Powder Coated Aluminum) **D** (Dark Bronze Anodized) **G** (Gold Anodized)  
**PW** (Painted White) **SN** (Satin Nickel Anodized) **WSP** (White Suede Powder Coated Aluminum)  
 SiliconSeal: **BL** (Black) **C** (Clear) **D** (Dark) **GR** (Gray) **W** (White)

**PEMKO**  
**ASSA ABLOY**

Experience a safer  
 and more open world

800-824-3018 | www.pemko.com  
 Check the web site for the up-to-date catalog

Copyright © 2015-2025, ASSA ABLOY Accessories and Door Controls Group, Inc., an ASSA ABLOY Group company. All rights reserved. Reproduction in whole or in part without the express written permission of ASSA ABLOY Accessories and Door Controls Group, Inc. is prohibited.



## CONTENTS:

H180A Series .....	206
SHS80 Series .....	207
Sliding 200 Series .....	208
Side Wall Track (SWT) System .....	209
Bypass Track Series .....	212
SIM200A Series .....	213
LP200 Series .....	214
Sirocco Series .....	215
H300S-OH Series .....	216
H300S-SW Series .....	217
H440A-OH Series .....	218
H440A-SW Series .....	219
TBS200A-OH Series .....	220
TBS200A-SW Series .....	221
TBS250A-OH Series .....	222
TBS250A-SW Series .....	223
H600S-OH Series .....	224
H600S-SW Series .....	225
H800S-OH Series .....	226
H800S-SW Series .....	227
H1100A-OH Series .....	228
H1100A-SW Series .....	229
Husky Sliding Glass Series .....	230
Pocket Frame Kit .....	231
Folding 100 Series .....	232
Pacer Interior End Fold Series .....	233
Flexirol Interior End Fold Series .....	234
Stainless Steel Sliding Track Hardware System for Wood Doors .....	235
Stainless Steel Sliding Track Hardware System for Glass Doors .....	244
Builders Series Flat Track for Wood Doors .....	246
Designer Series Flat Track for Wood Doors .....	248
SIM 150 - 2 Door .....	250
SIM 150 - 3 Door .....	251
Cascading Door with Sample Configurations .....	252
PemkoMatic™ Sliding Door Operator .....	253
SDL Privacy Barn Door Lock .....	254
Options and Accessories .....	255
Privacy Seal Sets .....	255
Soft Close Systems .....	256

## INDEX:

PRODUCT	PAGE	PRODUCT	PAGE	PRODUCT	PAGE	PRODUCT	PAGE	PRODUCT	PAGE	PRODUCT	PAGE
1A/290 .....	217	94A .....	255	281 .....	232	1076 .....	252	H300S-OH .....	216	PFCDKIT .....	231
1A/290/EC .....	216	102N .....	206	281 .....	255	2802 .....	212	H300S-SW .....	217	PF8C-8 .....	231
1A/301 .....	225	102N .....	216	282HD .....	232	2802 .....	252	H440A-OH .....	218	PFHB-1 .....	231
1A/301/EC .....	224	102N .....	235	283 .....	232	2802BT .....	212	H440A-SW .....	219	PFHB-2 .....	231
1A/550 .....	229	102N .....	246	284D .....	230	2802BT .....	255	H600S-OH .....	224	PFHS .....	231
1AX/290 .....	217	102N .....	255	287R1-KIT .....	206	2803 .....	250	H600S-SW .....	225	PFKIT-4 .....	231
1AX/301 .....	225	102WA .....	206	287R1-KIT .....	208	2812 .....	212	H800S-OH .....	226	PFKIT-8 .....	231
1AX/301 .....	227	102WA .....	208	287R1-KIT .....	209	2812 .....	252	H800S-SW .....	227	PIF2/165A .....	233
1B .....	219	102WA .....	209	287R1-KIT .....	212	2812 .....	255	H1100A-OH .....	228	PIF4/165A .....	233
1BX .....	219	102WA .....	213	289B .....	232	BAR .....	235	H1100A-SW .....	229	PSLIDE .....	253
3A/290 .....	216	102WA .....	217	289T .....	232	BRACKET2 .....	235	HBP200A .....	212	SDL .....	254
3A/301 .....	224	102WA .....	219	290 .....	216	EPD3 .....	206	HF2/100 .....	232	SHS80 .....	207
3A/301 .....	226	102WA .....	227	301 .....	224	EPD3 .....	212	HF2/100PACK .....	232	SIM100 .....	213
3AX/290 .....	216	102WA .....	255	403/2 .....	233	EPD3 .....	235	HF2/100PACK .....	255	SIM150 .....	250
3AX/301 .....	224	102WN .....	206	550A .....	228	EPD3 .....	246	HF4/100 .....	232	SIM150-BOLTKIT .....	250
3AX/301 .....	226	102WN .....	213	550A .....	234	EPD3 .....	250	HH3/290 .....	216	SIM150-LOCKKIT .....	250
8-12/SN .....	230	102WN .....	217	556/21 .....	234	F134 .....	206	HH3/301 .....	224	SIM200A .....	213
12 .....	244	102WN .....	219	556/57 .....	228	F134 .....	212	K28_SWEP .....	209	SIRLH/SIRRH .....	215
21/550/P .....	234	102WN .....	225	600A .....	218	F134 .....	250	K134EP .....	207	SOFT CLOSE .....	256
21BO/4 .....	233	102WN .....	227	600A .....	233	F134 .....	255	K134EP .....	213	STOP1 .....	238
21B/P .....	233	102WN .....	246	601H .....	207	F160C .....	218	K134EP .....	255	STOP1 .....	245
21N/94 .....	233	106HF/94 .....	232	601H .....	213	F160ECP .....	218	K1077_SWEP .....	206	STOP1 .....	255
21R/94 .....	234	106N/94 .....	255	601H .....	230	F200C .....	219	LH100 .....	214	STOP3 .....	235
32 .....	245	106R/94 .....	206	601H .....	252	F200ECP .....	219	LP200A .....	214	STOP3 .....	237
57A/N .....	226	106R/94 .....	216	601H .....	255	FIF2/275A .....	234	PF2x6KIT .....	231	STOP3 .....	243
57A/S .....	224	106R/94 .....	255	601P .....	218	G60 to G70 .....	244	PF134 KIT .....	231	TBS200A-OH .....	220
57B .....	218	111 .....	241	971A .....	206	GLASSGUIDE .....	244	PF28200A .....	231	TBS200A-SW .....	221
57K/N .....	216	280 .....	206	971A .....	213	H180A .....	206	PFAS .....	231	TBS250A-OH .....	222
62 .....	235	280 .....	213	971A .....	216	H200 .....	208	PFAS88 .....	231	TBS250A-SW .....	223
72 .....	238	280 .....	232	971A .....	218	H200 .....	209	PFAS100 .....	231	W60 to W100 .....	235
82 .....	239	280_SWF .....	209	971A .....	224	H200PACK .....	208	PFBG-4 .....	231		
89/2N .....	216	280_SWT .....	209	971A .....	226	H200PACK .....	209	PFBG-4 .....	255		
92 .....	240	280_SWTKIT .....	209	971A .....	228	H200PACK .....	255	PFBG-8 .....	231		
94A .....	206	281 .....	207	971A .....	232	H222R1 .....	206	PFBG-8 .....	255		
94A .....	216	281 .....	213	971A .....	255	H222R1 .....	231	PFBS .....	231		
94A .....	232	281 .....	230	1075C .....	206	H222R1 .....	252	PFBS .....	255		

800-824-3018 | www.pemko.com

Check the web site for the up-to-date catalog

Copyright © 2015-2025, ASSA ABLOY Accessories and Door Controls Group, Inc., an ASSA ABLOY Group company. All rights reserved. Reproduction in whole or in part without the express written permission of ASSA ABLOY Accessories and Door Controls Group, Inc. is prohibited.

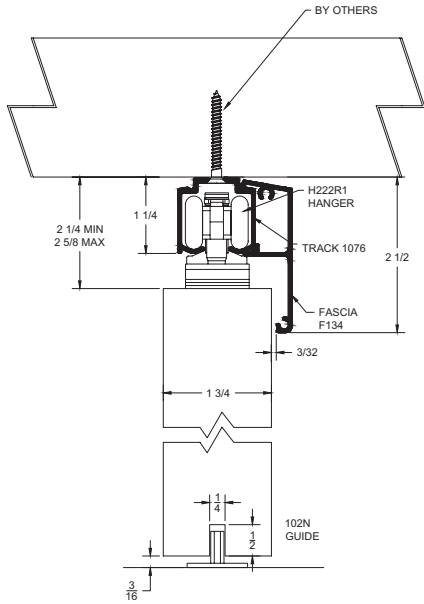
**PEMKO**  
**ASSA ABLOY**

Experience a safer  
and more open world

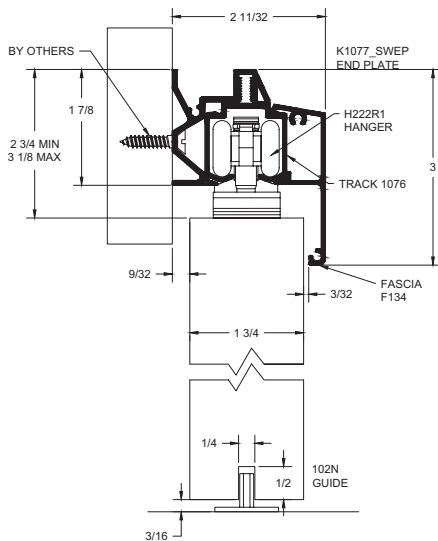
# H180A SERIES

For Sliding Panels up to 200 lbs.

## Overhead Mount



## Side Wall Mount



### Configurations:

- Single
- Bi-parting

### Installations:

- Overhead Mount
- Side Wall Mount

### Features:

- Hanger body is made of nickel plated zinc alloy for durability and long life
- Steel ball bearing wheels coated in nylon for smooth operation
- 200 lb. panel capacity
- Optional side wall bracket reduces the amount of wall space needed to mount the track
- Optional Soft Close
- 5 year warranty
- Meets ADA push force requirements

### H180A Kits Include:

- 1 ea **280C** Clear Anodized Aluminum Track
- 2 ea **H222R1** - Nickel Plated Zinc Alloy Body Zinc Alloy Wheels Coated in Nylon
- 2 ea **287R1-KIT** Rubber Bumper In-Track Stop
- 1 ea **102N** White Nylon Mortise Guide

### Standard Kit Sizes

PART NUMBER	MATERIAL	TRACK LENGTH	DOOR WIDTH
H180A/6	Aluminum	72"	36"
H180A/8	Aluminum	96"	48"

### Options:

Fascia

**F134C** clear anodized aluminum fascia

**F134D** dark bronze anodized fascia

Side Wall Track Bracket

**1075C** clear anodized aluminum bracket- order same length as track

Track

**280D** dark bronze anodized track

End Plate Kit

**K1077C-SWEP** (use with F134C fascia and 1075C side wall bracket only)

Bottom Channel

**94A**

Roller Guide

**106R/94**

Threshold

**971A**

Side Wall Mount

**102WN** (nylon) and **102WA** (steel)

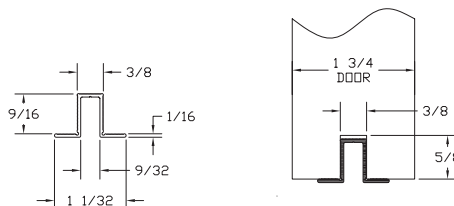
Mortise Guides

Polypropylene Guide Rail

**EPD3BL** for use with 102N or 102WN

Soft Close available. See pages 256-258 for more information.

### Alternate Route for EPD3BL

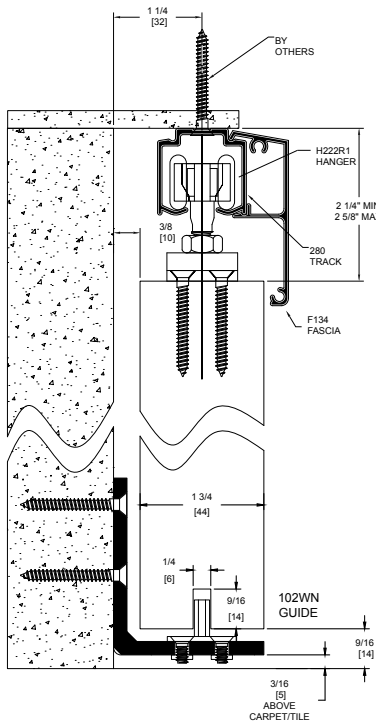


Experience a safer and more open world

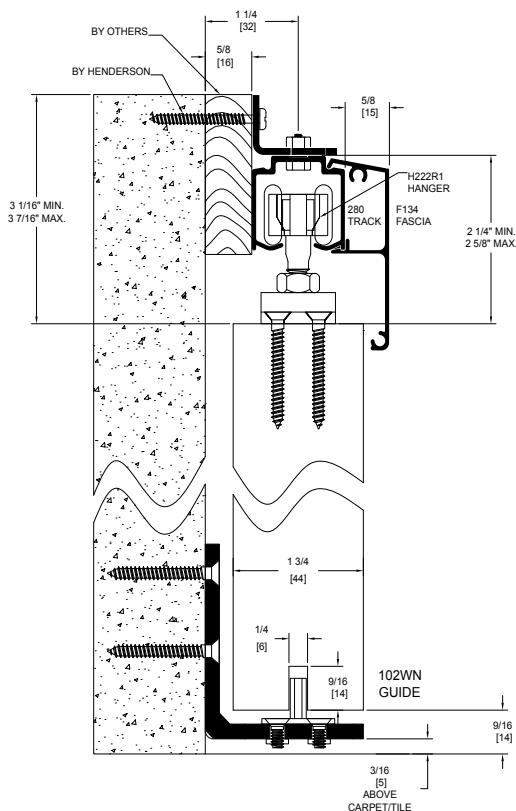
# SHS80 SERIES

For Sliding Panels up to 200 lbs.

## Overhead Mount



## Side Wall Mount



### Configurations:

- Single
- Bi-parting

### Installations:

- Overhead Mount
- Side Wall Mount

### Features:

- Hanger body is made of nickel plated zinc alloy for durability and long life
- Steel ball bearing wheels coated in nylon for smooth operation
- 200 lb. panel capacity
- Optional Soft Close
- 5 year warranty
- Meets ADA push force requirements

### SHS80 Kits Include:

- 1 ea **280C** Clear Anodized Aluminum Track
- 2 ea **H222R1** - Nickel Plated Zinc Alloy Body
- 2 ea **601H** Nylon In-Track Clip Stop
- 1 ea **102WN** White Nylon Mortise Guide on Zinc Plated Steel "L" Metal

Standard Kit Sizes			
PART NUMBER	MATERIAL	TRACK LENGTH	DOOR WIDTH
SHS80/6	Aluminum	72"	36"
SHS80/8	Aluminum	96"	48"

### Options:

Fascia

**F134C** clear anodized aluminum fascia

**F134D** dark bronze anodized fascia

Side Wall Track Brackets

**PC2815** available as 5 pack only, PC2815 pack of 5 281 zinc plated side wall bracket. NOTE: Need one at each end and no more than 2 feet in-between. Fasteners included.

Track

**280D** dark bronze anodized track

End Plate Kit

**K134EP** (use with F134C and 280C only)

Bottom Channel

**94A**

Roller Guide

**106R/94**

Threshold

**971A**

Side Wall Mount

**SHS80/PACK**

Extra Hardware Pack

**102N**

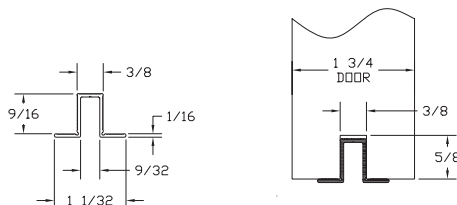
Mortise Floor Guide

**EPD3BL** for use with 102N or 102WN

Polypropylene Guide Rail

Soft Close available. See pages 256-258 for more information.

### Alternate Route for EPD3BL



800-824-3018 | www.pemko.com

Check the web site for the up-to-date catalog

Copyright © 2015-2025, ASSA ABLOY Accessories and Door Controls Group, Inc., an ASSA ABLOY Group company. All rights reserved. Reproduction in whole or in part without the express written permission of ASSA ABLOY Accessories and Door Controls Group, Inc. is prohibited.

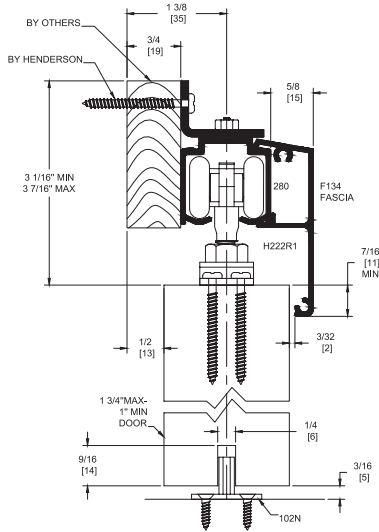
**PEMCO**  
**ASSA ABLOY**

Experience a safer  
and more open world

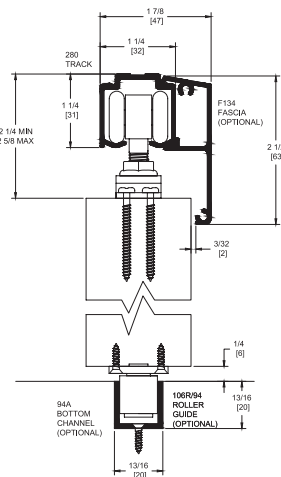
# SLIDING 200 SERIES

**For Sliding Panels up to 200 lbs.**  
Manufactured by P.C. Henderson

## 280C Side Wall Mounted



## 280C Soffit Mounted with Fascia



### Configurations:

- Single
- Bi-parting

### Installations:

- Overhead Mount
- Side Wall Mount

### Features:

- Hanger body is made of nickel plated zinc alloy for durability and long life
- Steel ball bearing wheels coated in nylon for smooth operation
- 200 lb. panel capacity
- Galvanized steel track 280
- Clear anodized aluminum track 280C
- Optional Soft Close
- 5 year warranty
- Meets ADA push force requirements

### H200A Kits Include:

- 1 ea **280C** Clear Anodized Aluminum Track
- 2 ea **H222R1** Hangers
- 1 ea **102N** Nylon Guide
- 2 ea **TELS-14KIT** Stops
- 1 ea Adjusting Wrench and Mounting Hardware

### H200 Kits Include:

- 1 ea **280** Steel Track
- 2 ea **H222R1** Hangers
- 1 ea **102N** Nylon Guide
- 2 ea **TELS-14KIT** Stops
- 1 ea Adjusting Wrench and Mounting Hardware

### Standard Kit Sizes

PART NUMBER	MATERIAL	TRACK LENGTH	DOOR WIDTH
H200A/4	Aluminum	48"	24"
H200A/6	Aluminum	72"	36"
H200A/7	Aluminum	84"	42"
H200A/8	Aluminum	96"	48"
H200A/10	Aluminum	120"	60"
H200A/12	Aluminum	144"	72"
H200/6	Steel	72"	36"
H200/8	Steel	96"	48"

### Options:

Hardware Kit  
Mounting Bracket

Track Stop (bumper)  
Bottom Channel  
Fascia, Snap-On

Track  
Roller Guide  
Side Wall Mortise Guide  
Threshold  
End Plate

Polypropylene Guide Rail

Soft Close available. See pages 256-258 for more information.

### H200PACK

**PC2815** available as 5 pack only, **PC2815** pack of 5 281 zinc plated side wall bracket  
NOTE: Need one at each end and no more than 2 feet in-between. Fasteners included.

### 287R1-KIT

#### 94A

**F134C** clear anodized  
(**280C** aluminum track only)

**F134D** dark bronze anodized fascia

**280D** dark bronze anodized

#### 106R/94

**102WA** (steel) and **102WN** (nylon)

#### 971A

**K134EP** (use with F134C and 280C only)

**EPD3BL** for use with 102N or 102WN

**PEMKO**  
**ASSA ABLOY**

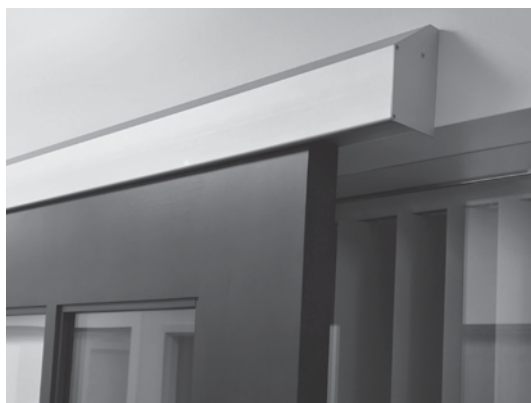
Experience a safer  
and more open world



# SIDE WALL TRACK (SWT) SYSTEM

## For Sliding Panels up to 200 lbs.

The Pemko Side Wall Track System has a unique mounting bracket that is extruded with the track. An innovative wall mounted bottom guide assembly allows carpet to be replaced without removing the door.



### Configurations:

- Single
- Bi-parting

### Installations:

- Side Wall Mount

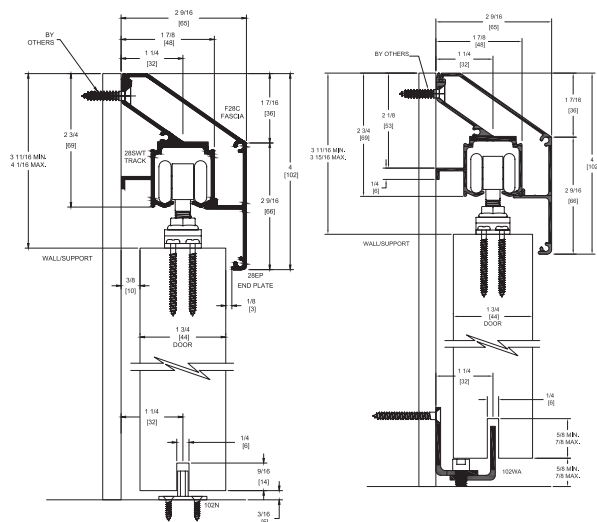
### Features:

- Unique mounting bracket extruded into track
- Supports up to 200 lbs. per door
- Quick, easy attachment
- New construction or retrofit
- Optional Soft Close
- 5 year warranty
- Meets ADA push force requirements

## 280SWT Kits Include:

- 1ea **280\_-SWT** Aluminum Track
- 1ea **280\_-SWF** Aluminum Fascia
- 1ea **K28\_-SWEP** Pair of End Plates
- 2ea **H222R1** Hangers
- 2ea **TELS-14KIT** In Track Stops
- 1ea **102N** White Nylon Mortise Guide
- 1ea **102WA** Wall Mounted Mortise Guide
- 1ea Adjusting Wrench

## SWT Kit Side Wall Mounted



Standard Kit Sizes		
PART NUMBER	TRACK LENGTH	DOOR WIDTH
(Mill Finished Track/Clear Anodized Fascia/End Plates)		
280C-SWTKIT/6	72"	36"
280C-SWTKIT/8	96"	48"
280C-SWTKIT/12*	144"	2 @ 36"
(Dark Bronze Anodized Track/Fascia/End Plates)		
280D-SWTKIT/6	72"	36"
280D-SWTKIT/8	96"	48"
280D-SWTKIT/12*	144"	2 @ 36"

\*NOTE: 280\_-SWTKIT/12 comes with enough hardware for two doors.

### Options:

- Hardware Kit (one door) **H200PACK**
- Roller Guide **106R/94**
- Bottom Channel **94A**
- Nylon Mortise Guide **102WN**
- Stainless Steel Flush Bolt **FB150SS**
- Stainless Steel Flush Pull **503SF**

Soft Close available. See pages 256-258 for more information.

AVAILABLE FINISHES FOR PRODUCTS SHOWN ON THIS PAGE  
 A (Mill Finish Aluminum) C (Anodized Aluminum) D (Dark Bronze Anodized)

800-824-3018 | www.pemko.com  
 Check the web site for the up-to-date catalog

Copyright © 2015-2025, ASSA ABLOY Accessories and Door Controls Group, Inc., an ASSA ABLOY Group company. All rights reserved.  
 Reproduction in whole or in part without the express written permission of ASSA ABLOY Accessories and Door Controls Group, Inc. is prohibited.



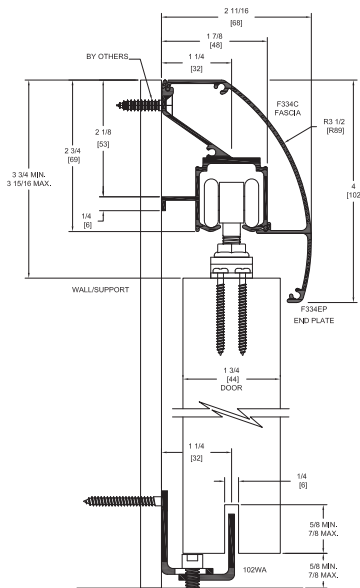
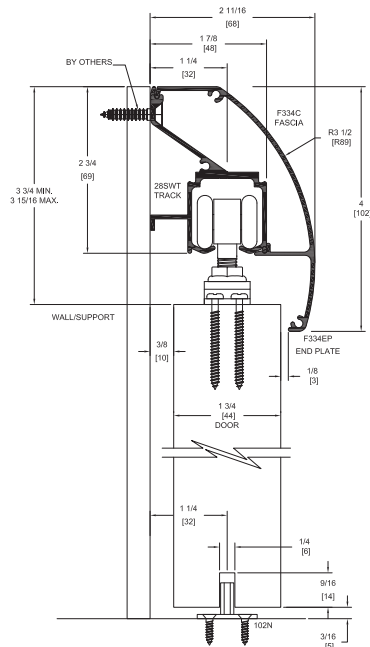
Experience a safer  
and more open world

# SIDE WALL TRACK SYSTEM WITH RADIUS FASCIA (RF280\_-SWTK)

## For Sliding Panels up to 200 lbs.

Pemko Side Wall Track Systems have a unique mounting bracket that is extruded with the track. An innovative wall mounted bottom guide assembly allows carpet to be replaced without removing the door.

### SWT Kit Side Wall Mounted



### Configurations:

- Single
- Bi-parting

### Installations:

- Side Wall Mount

### Features:

- Unique mounting bracket extruded into track
- Supports up to 200 lbs. per door
- Quick, easy attachment
- New construction or retrofit
- Optional Soft Close
- 5 year warranty
- Meets ADA push force requirements

### RF280 SWT Kits Include:

- 1ea **280\_-SWT** Aluminum Track
- 1ea **F334\_** Aluminum Fascia
- 1ea **KF334\_-SWEP** Pair of End Plates
- 2ea **H222R1** Hangers
- 2ea **TELS-14KIT** In Track Stops
- 1ea **102N** White Nylon Mortise Guide
- 1ea **102WA** Wall Mounted Mortise Guide
- 1ea Adjusting Wrench

### Standard Kit Sizes

PART NUMBER	TRACK LENGTH	DOOR WIDTH
(Mill Finished Track/Clear Anodized Fascia/End Plates)		
RF280C-SWTK/6	72"	36"
RF280C-SWTK/8	96"	48"
RF280C-SWTK/12 *	144"	2 @ 36"
(Dark Bronze Anodized Track/Fascia/End Plates)		
RF280D-SWTK/6	72"	36"
RF280D-SWTK/8	96"	48"
RF280D-SWTK/12 *	144"	2 @ 36"

\*NOTE: RF280\_-SWTK/12 comes with enough hardware for two doors.

### Options:

- Hardware Kit (one door) **H200PACK**
- Roller Guide **106R/94**
- Bottom Channel **94A**
- Nylon Mortise Guide **102WN**
- Stainless Steel Flush Bolt **FB150SS**
- Stainless Steel Flush Pull **503SF**

Soft Close available. See pages 256-258 for more information.

AVAILABLE FINISHES FOR PRODUCTS SHOWN ON THIS PAGE

A (Mill Finish Aluminum) C (Clear Anodized) D (Dark Bronze Anodized)



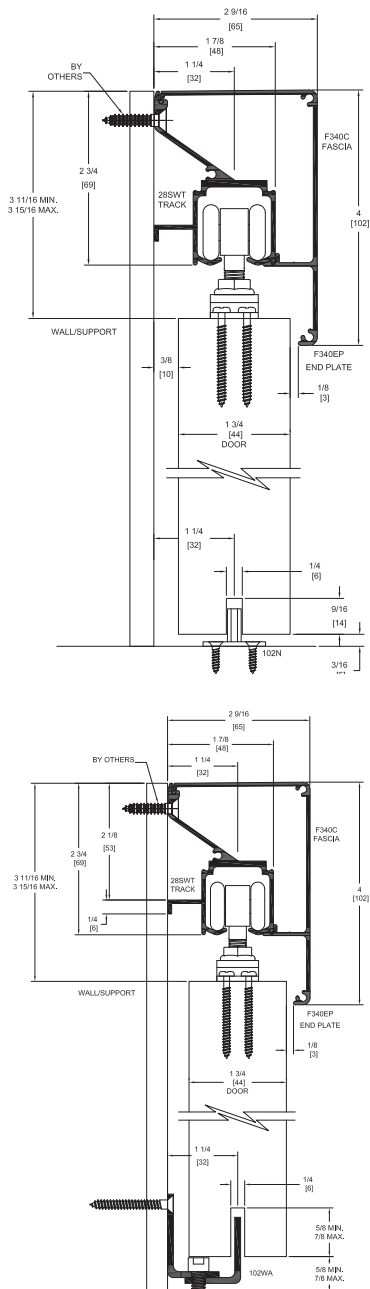
Experience a safer and more open world

# SIDE WALL TRACK SYSTEM WITH SQUARE FASCIA (SF280\_-SWTK)

## For Sliding Panels up to 200 lbs.

Pemko Side Wall Track Systems have a unique mounting bracket that is extruded with the track. An innovative wall mounted bottom guide assembly allows carpet to be replaced without removing the door.

### SWT Kit Side Wall Mounted



### Configurations:

- Single
- Bi-parting

### Installations:

- Side Wall Mount

### Features:

- Unique mounting bracket extruded into track
- Supports up to 200 lbs. per door
- Quick, easy attachment
- New construction or retrofit
- Optional Soft Close
- 5 year warranty
- Meets ADA push force requirements

### SF280SWT Kits Include:

- 1ea **280\_-SWT** Aluminum Track
- 1ea **F340\_** Aluminum Fascia
- 1ea **KF340\_-SWEP** Pair of End Plates
- 2ea **H222R1** Hangers
- 2ea **TELS-14KIT** In Track Stops
- 1ea **102N** White Nylon Mortise Guide
- 1ea **102WA** Wall Mounted Mortise Guide
- 1ea Adjusting Wrench

Standard Kit Sizes		
PART NUMBER	TRACK LENGTH	DOOR WIDTH
(Mill Finished Track/Clear Anodized Fascia/End Plates)		
SF280C-SWTK/6	72"	36"
SF280C-SWTK/8	96"	48"
SF280C-SWTK/12 *	144"	2 @ 36"
(Dark Bronze Anodized Track/Fascia/End Plates)		
SF280D-SWTK/6	72"	36"
SF280D-SWTK/8	96"	48"
SF280D-SWTK/12 *	144"	2 @ 36"

\*NOTE: SF280\_-SWTK/12 comes with enough hardware for two doors.

### Options:

- Hardware Kit (one door) **H200PACK**
- Roller Guide **106R/94**
- Bottom Channel **94A**
- Nylon Mortise Guide **102WN**
- Stainless Steel Flush Bolt **FB150SS**
- Stainless Steel Flush Pull **503SF**

Soft Close available. See pages 256-258 for more information.

AVAILABLE FINISHES FOR PRODUCTS SHOWN ON THIS PAGE  
 A (Mill Finish Aluminum) C (Clear Anodized) D (Dark Bronze Anodized)

800-824-3018 | www.pemko.com  
 Check the web site for the up-to-date catalog

Copyright © 2015-2025, ASSA ABLOY Accessories and Door Controls Group, Inc., an ASSA ABLOY Group company. All rights reserved.  
 Reproduction in whole or in part without the express written permission of ASSA ABLOY Accessories and Door Controls Group, Inc. is prohibited.

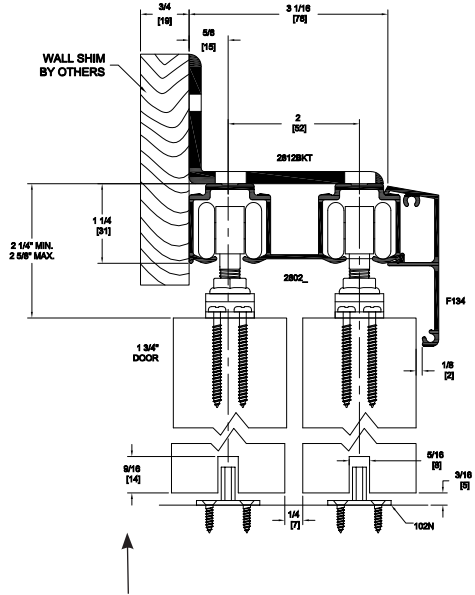


Experience a safer  
and more open world

# BYPASS TRACK SERIES

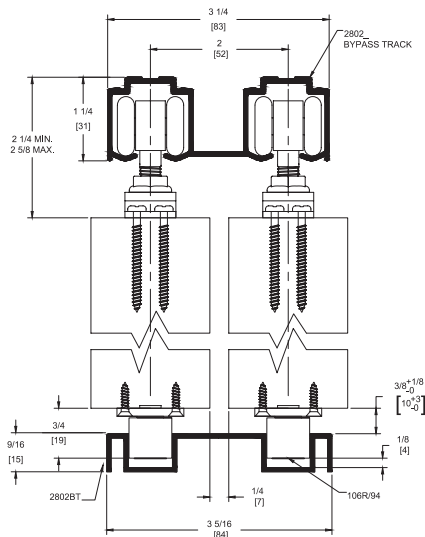
For Bypass Doors up to 200 lbs.

## 1 3/4" Thick Doors Side Wall Mount



NOTE: Route door 9/16" deep by 1/4" wide to receive 102N Guide.

## 1 3/4" Thick Doors Overhead Mount



\* Side Wall mounting: use one (1) 2812KIT at each end of track and 24" on center

### Configurations:

- For Bypass Doors

### Features:

- Fits 1 3/8" and 1 3/4" doors
- Hanger body is made of nickel plated zinc alloy for durability and long life
- Steel ball bearing wheels coated in nylon for smooth operation
- 200 lb. panel capacity
- Load capacity 200 lbs. per door panel (2 hangers)
- Extruded aluminum track
- Optional Soft Close
- 5 year warranty
- Meets ADA push force requirements

### HBP200A Kits Include:

- 1 ea **2802C** Clear Anodized Aluminum Track
- 4 ea **H222R1** Hangers
- 2 ea **102N** White Nylon Mortise Guide
- 4 ea **TELS-14KIT** In Track Stops
- 1 ea Adjusting Wrench and Mounting Hardware

Standard Kit Sizes		
PART NUMBER	TRACK LENGTH	DOOR WIDTH
HBP200A/4	48"	2 @ 26" Min*
HBP200A/5'4	64"	2 @ 34" Min*
HBP200A/6	72"	2 @ 38" Min*
HBP200A/7	84"	2 @ 44" Min*
HBP200A/8	96"	2 @ 50" Min*
HBP200A/10	120"	2 @ 62" Min*
HBP200A/12	144"	2 @ 74" Min*

\*Minimum door overlap is 2".

### Options:

- |                          |   |
|--------------------------|---|
| Hardware Kit             | <b>H200PACK</b>   |
| Mounting Bracket         | <b>2812KIT</b>  |
| Track                    | <b>2802D</b> dark bronze anodized track   |
| Track Stop (bumper)      | <b>287R1-KIT</b>  |
| Bottom Channel           | <b>94A</b>  |
| Fascia, Snap-On          | <b>F134C</b> clear anodized aluminum fascia.<br><b>F134D</b> dark bronze anodized aluminum fascia |
| Roller Guide             | <b>106R/94</b>  |
| Dual Guide Channel       | <b>2802BT</b>   |
| Polypropylene Guide Rail | <b>EPD3BL</b> for use with 102N   |
- Soft Close available. See pages 256-258 for more information.

AVAILABLE FINISHES FOR PRODUCTS SHOWN ON THIS PAGE  
A (Mill Finish Aluminum) C (Clear Anodized) D (Dark Bronze Anodized)



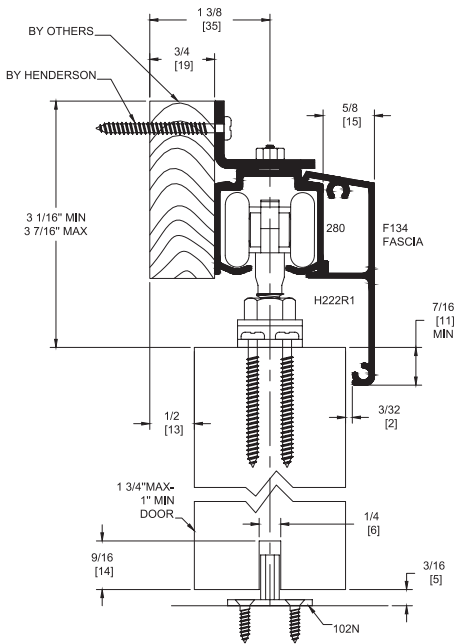
Experience a safer and more open world

# SIM200A SERIES

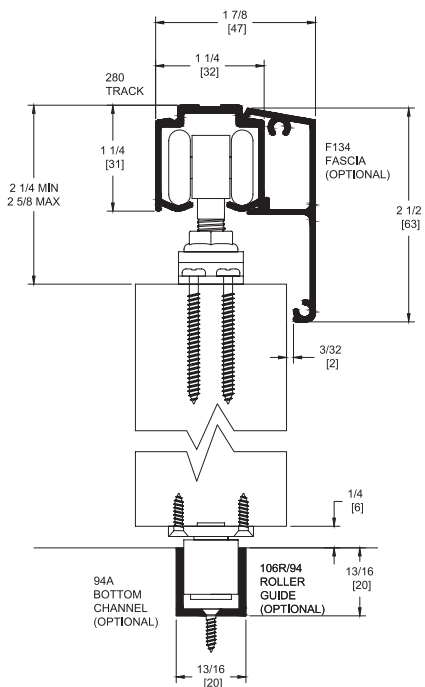
For Sliding Doors up to 48" wide and 200 lbs.

Manufactured by P.C. Henderson

## Side Wall Mount



## Overhead Mount



Simultaneous Action Unit (SIM) allows the simultaneous operation of two doors.

### Configurations:

- Bi-parting

### Installations:

- Overhead Mount
- Side Wall Mount

### Features:

- Allows individual bi-part doors to act as a single operating unit. When one door is opened or closed, the second door operates simultaneously
- 200 lb. panel capacity
- Hanger body is made of nickel plated zinc alloy for durability and long life
- Steel ball bearing wheels coated in nylon for smooth operation
- Clear anodized aluminum track 280C
- 2 year warranty

### SIM200A Kits Include:

- 1 ea **280C** Clear Anodized Aluminum Track
- 4 ea **H222R1** Hangers
- 4 ea **601H** Nylon In-Track Clip Stop
- 2 ea **102N** White Nylon Mortise Guide
- 1 ea **SIM100** Cable and Pulley Kit

### Standard Kit Sizes

PART NUMBER	MATERIAL	TRACK LENGTH	DOOR WIDTH
SIM200A/6	Aluminum	72"	2 @ 18"
SIM200A/8	Aluminum	96"	2 @ 24"
SIM200A/12	Aluminum	144"	2 @ 36"
SIM200A/16	Aluminum	2 @ 96"	2 @ 48"

### Options:

Fascia

- F134C** clear anodized aluminum fascia
- F134D** dark bronze anodized fascia
- 280D** dark bronze anodized

Side Wall Track Brackets

- PC2815** available as 5 pack only, **PC2815** pack of 5 281 zinc plated side wall bracket.

NOTE: Need one at each end and no more than 2 feet in-between. Fasteners included.

End Plates

- K134EP** (use with F134C only)

Bottom Channel

- 94A**

Roller Guide

- 106R/94**

Threshold

- 971A**

Side Wall Mortise Guides

- 102WN** (nylon) and **102WA** (steel)

Polypropylene Guide Rail

- EPD3BL** for use with 102N or 102WN

800-824-3018 | www.pemko.com

Check the web site for the up-to-date catalog

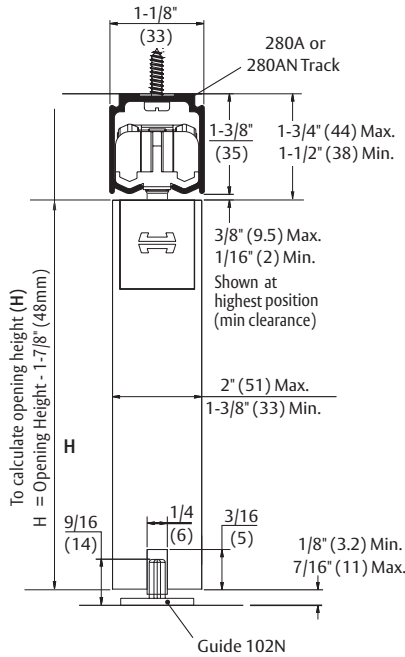
Copyright © 2015-2025, ASSA ABLOY Accessories and Door Controls Group, Inc., an ASSA ABLOY Group company. All rights reserved. Reproduction in whole or in part without the express written permission of ASSA ABLOY Accessories and Door Controls Group, Inc. is prohibited.

**PEMKO**  
**ASSA ABLOY**

Experience a safer  
and more open world

# LP200 SERIES

**For Sliding Panels up to 200 lbs.**  
 Manufactured by P.C. Henderson



Low profile design for use where space is limited.

**Configurations:**

- Single
- Bi-parting

**Installations:**

- Overhead Mount
- Side Wall Mount

**Features:**

- Used to maximize door height
- Designed to give a modern clean finish with all parts concealed. Ideal for applications where minimal clearance between track and door is required
- Easy installation and adjustment
- 200 lb. panel capacity
- Needle bearing nylon wheels for smooth operation
- Clear anodized aluminum track 280C
- 2 year warranty
- Meets ADA push force requirements

**LP200A Kits Include:**

- 1 ea **280C** Clear Anodized Aluminum Track
- 1 ea **LH100** Hardware Kit

**LH100 Hardware Kits Include:**

- 2 ea Low Head Room Units
- 2 ea End Caps
- 2 ea In-Track Clip Stops
- 1 ea Screw Pack
- 2 ea Low Head Room Hangers
- 1 ea **102N** White Nylon Mortise Guide
- 1 ea Small Spanner and 4mm Allen Key

**Standard Kit Sizes**

PART NUMBER	MATERIAL	TRACK LENGTH	DOOR WIDTH
LP200A/6	Aluminum	72"	36"
LP200A/8	Aluminum	96"	48"
LP200A/10	Aluminum	120"	60"

**Options:**

- Side Wall Track Bracket **PC2815** available as 5 pack only, **PC2815** pack of 5 281 zinc plated side wall bracket  
 NOTE: Need one at each end and no more than 2 feet in-between. Fasteners included.
- Bottom Channel **94A**
- Roller Guide **106R/94**
- Threshold **971A**



Experience a safer and more open world

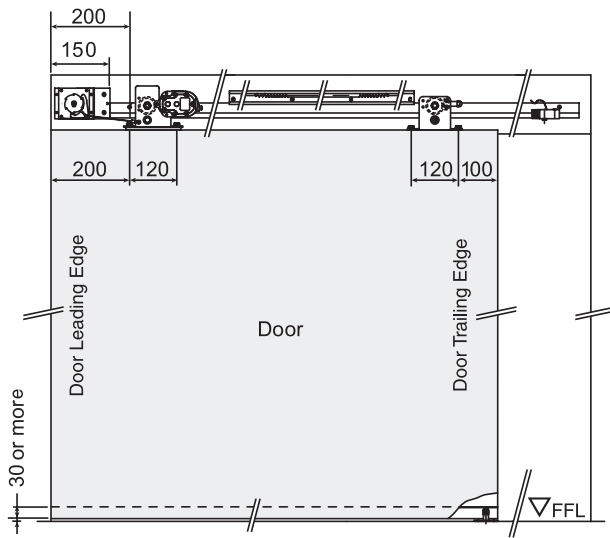
800-824-3018 | www.pemko.com  
 Check the web site for the up-to-date catalog

Copyright © 2015-2025, ASSA ABLOY Accessories and Door Controls Group, Inc., an ASSA ABLOY Group company. All rights reserved. Reproduction in whole or in part without the express written permission of ASSA ABLOY Accessories and Door Controls Group, Inc. is prohibited.

# SIROCCO SERIES

**For Sliding Panels up to 176 lbs.**

Manufactured by P.C. Henderson



Right Hand SIRRH Shown Above and Below

The Sirocco system is a quiet, user friendly, self closing system which brings the door gently to a close.

The integrated hydraulic soft stop brings the door to a safe and cushioned close making it ideal for disabled access systems or public areas. The internal door brake can also be adjusted to allow the user to dictate the speed of opening preventing damage to the door and system.

**Configurations:**

- Single

**Installations:**

- Side Wall Mount

**Features:**

- Self closing system for a single door from 31½" to 47¼" wide and up to 176 lbs.
- Interior applications only
- Comes complete with a hydraulically controlled soft close feature
- Adjustable closing speed
- Door brake to reduce opening speed to prevent damage to the door and system
- Optional hold open unit giving adjustable time delay before self closing
- Operational between temperature ranges of 50 to 104 degrees Fahrenheit
- 2 year warranty
- Meets ADA push force requirements

**Sirocco Series Kits Include:**

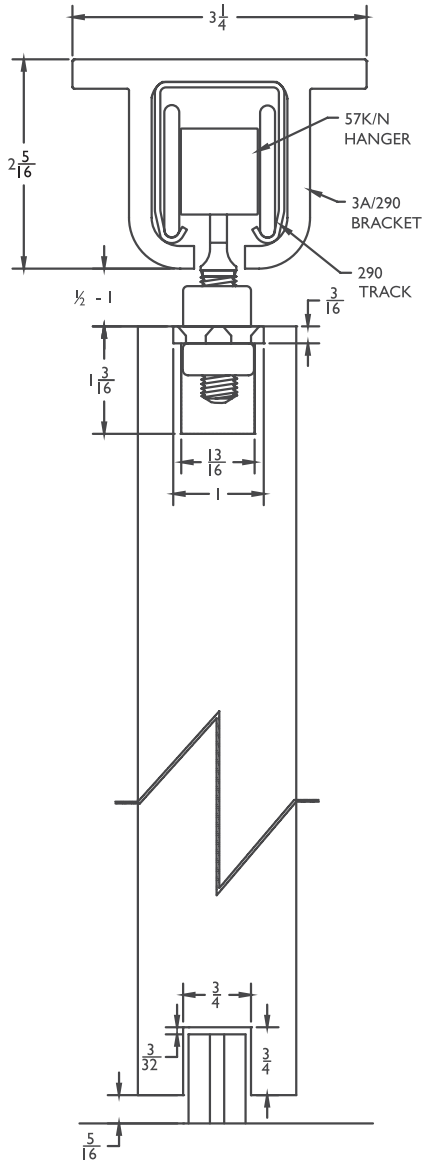
- 1 ea Track 86.61" long
- 1 ea Leading hanger
- 1 ea Trailing hanger
- 1 ea Hydraulic Control Unit
- 1 ea Closing brake rack
- 1 ea Opening brake rack
- 1 ea Power spring mounting bracket
- 7 ea Height adjustment plates
- 1 ea Power spring unit
- 1 ea Guide roller
- 1 ea Opening door stop
- 1 ea Door stop roller
- 1 ea Closing door stop
- 2 ea Wooden door plate (and all required screws and bolts)

Standard Kits	
PART NUMBER	DESCRIPTION
SIRRH	Right Hand Opening Kit
SIRLH	Left Hand Opening Kit

## H300S-OH SERIES

For Sliding Panels up to 300 lbs.

Manufactured by P.C. Henderson



### Configurations:

- Single
- Bi-parting

### Installations:

- Overhead Mount

### Features:

- Overhead mount system
- Nylon wheels for smooth operation
- 300 lb. panel capacity
- Galvanized steel track 290
- 2 year warranty

### H300S-OH Kits Include:

- 1 ea **290** Galvanized Steel Track
- **3A/290** Aluminum Alloy Overhead Mount Track Brackets (One at each end and no more than 3 feet in between)
- 2 ea **1A/290/EC** Aluminum Alloy End Caps
- 2 ea **57K/N** White Nylon Body and Wheels, Zinc Coated Steel Pendant Bolt Hangers
- 2 ea **HH3/290** Galvanized Steel In-Track Stop
- 1 ea **89/2N** Gray Nylon Mortise Guide

### Standard Kit Sizes

PART NUMBER	MATERIAL	TRACK LENGTH	DOOR WIDTH
H300S-OH/6	Steel	72"	36"
H300S-OH/8	Steel	96"	48"
H300S-OH/10	Steel	120"	60"
H300S-OH/12	Steel	144"	72"

### Options:

- Bottom Channel **94A**
- Roller Guide **106R/94**
- Threshold **971A**
- Joining Bracket **3AX/290**
- Mortise Guides **102N**
- Stainless Steel Flush Bolt **FB150SS**
- Stainless Steel Flush Pull **503SF**

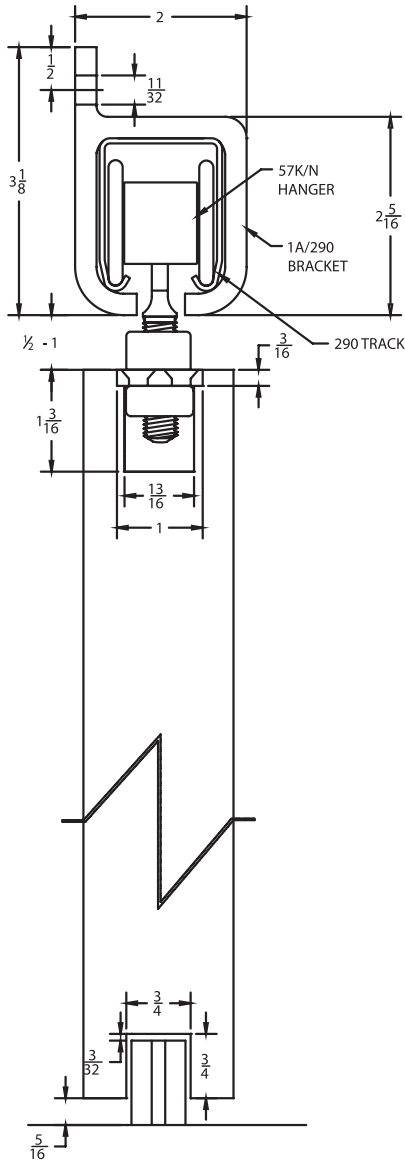
**PEMKO**  
**ASSA ABLOY**

Experience a safer  
and more open world



# H300S-SW SERIES

**For Sliding Panels up to 300 lbs.**  
 Manufactured by P.C. Henderson



## Configurations:

- Single
- Bi-parting

## Installations:

- Side Wall Mount

## Features:

- Side wall mount system
- Nylon wheels for smooth operation
- 300 lb. panel capacity
- Galvanized steel track 290
- 2 year warranty

## H300S-SW Kits Include:

- 1 ea **290** Galvanized Steel Track
- **1A/290** Side Wall Mount Track Brackets (One at each end and no more than three feet in between)
- 2 ea **1A/290/EC** Aluminum Alloy End Caps
- 2 ea **57K/N** White Nylon Body and Wheels, Zinc Coated Steel Pendant Bolt Hangers
- 2 ea **HH3/290** Galvanized Steel In-Track Stops
- 1 ea **89/2N** Gray Nylon Mortise Guide

### Standard Kit Sizes

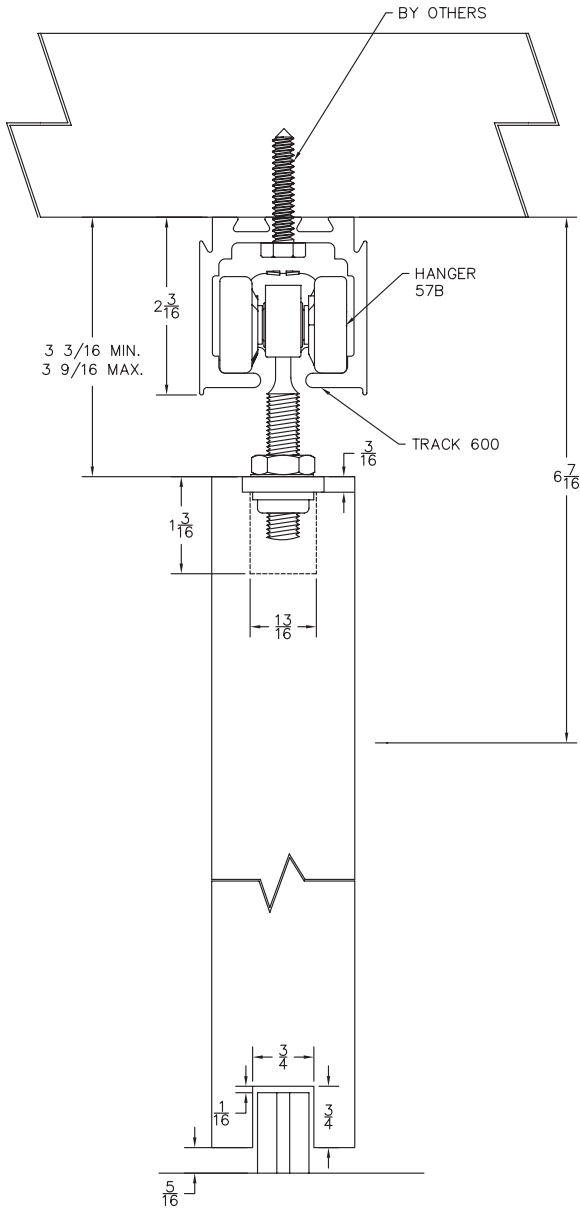
PART NUMBER	MATERIAL	TRACK LENGTH	DOOR WIDTH
H300S-SW/6	Steel	72"	36"
H300S-SW/8	Steel	96"	48"
H300S-SW/10	Steel	120"	60"
H300S-SW/12	Steel	144"	72"

## Options:

- Bottom Channel **94A**
- Roller Guide **106R/94**
- Mortise Guides **102N**
- Side Wall Mortise Guides **102WN** (nylon) and **102WA** (steel)
- Joining Bracket **1AX/290**
- Stainless Steel Flush Bolt **FB150SS**
- Stainless Steel Flush Pull **503SF**

# H440A-OH SERIES

**For Sliding Panels up to 440 lbs.**  
 Manufactured by P.C. Henderson



**Configurations:**

- Single
- Bi-parting

**Installations:**

- Overhead Mount

**Features:**

- Overhead mount system
- Nylon body and steel ball bearing nylon wheels for smooth operation
- 440 lb. panel capacity
- Mill finished aluminum track 600A
- 2 year warranty
- Meets ADA push force requirements

**H440A-OH Kits Include:**

- 1 ea **600A** Mill Finished Aluminum Track
- 2 ea **57B** Hangers: Gray Nylon Body, Zinc Coated Steel Pendant Bolt, Steel Ball Bearing Nylon Wheels
- 2 ea **601P** Nylon In-Track Clip Stop
- 1 ea **89/2N** Gray Nylon Mortise Guide

Standard Kit Sizes			
PART NUMBER	MATERIAL	TRACK LENGTH	DOOR WIDTH
H440A-OH/6	Aluminum	72"	36"
H440A-OH/8	Aluminum	96"	48"
H440A-OH/10	Aluminum	120"	60"
H440A-OH/12	Aluminum	144"	72"
H440A-OH/16	Aluminum	192"	96"

**Options:**

- Bottom Channel **94A**
- Roller Guide **106R/94**
- Threshold **971A**
- Mortise Guides **102N**
- Stainless Steel Flush Bolt **FB150SS**
- Stainless Steel Flush Pull **503SF**

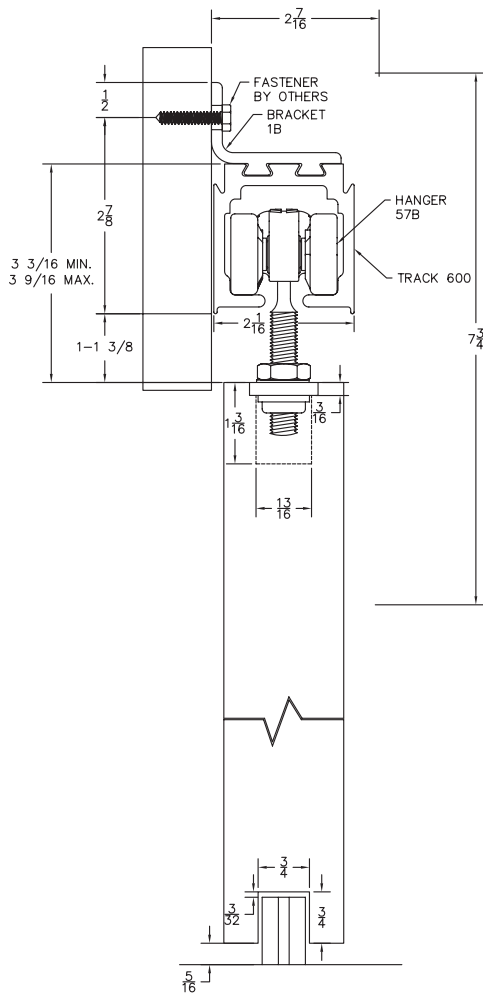


Experience a safer and more open world

## H440A-SW Series

For Sliding Panels up to 440 lbs.

Manufactured by P.C. Henderson



### Configurations:

- Single
- Bi-parting

### Installations:

- Side Wall Mount

### Features:

- Side wall mount system
- Nylon body and steel ball bearing nylon wheels for smooth operation
- 440 lb. panel capacity
- Mill finished aluminum track 600A
- 2 year warranty
- Meets ADA push force requirements

### H440A-SW Kits Include:

- 1 ea **600A** Mill Finished Aluminum Track
- **1B** Side Wall Mount Track Brackets (One at each end and no more than 3 feet in between)
- 2 ea **57B** Hangers: Gray Nylon Body, Zinc Coated Steel Pendant Bolt, Steel Ball Bearing Nylon Wheels
- 2 ea **601P** Nylon In-Track Clip Stop
- 1 ea **89/2N** Gray Nylon Mortise Guide

### Standard Kit Sizes

PART NUMBER	MATERIAL	TRACK LENGTH	DOOR WIDTH
H440A-SW/6	Aluminum	72"	36"
H440A-SW/8	Aluminum	96"	48"
H440A-SW/10	Aluminum	120"	60"
H440A-SW/12	Aluminum	144"	72"
H440A-SW/16	Aluminum	192"	96"

### Options:

- Bottom Channel **94A**
- Roller Guide **106R/94**
- Mortise Guides **102N**
- Side Wall Mortise Guides **102WN** (nylon) and **102WA** (steel)
- Joining Bracket **1BX**
- Stainless Steel Flush Bolt **FB150SS**
- Stainless Steel Flush Pull **503SF**

800-824-3018 | www.pemko.com

Check the web site for the up-to-date catalog

Copyright © 2015-2025, ASSA ABLOY Accessories and Door Controls Group, Inc., an ASSA ABLOY Group company. All rights reserved. Reproduction in whole or in part without the express written permission of ASSA ABLOY Accessories and Door Controls Group, Inc. is prohibited.

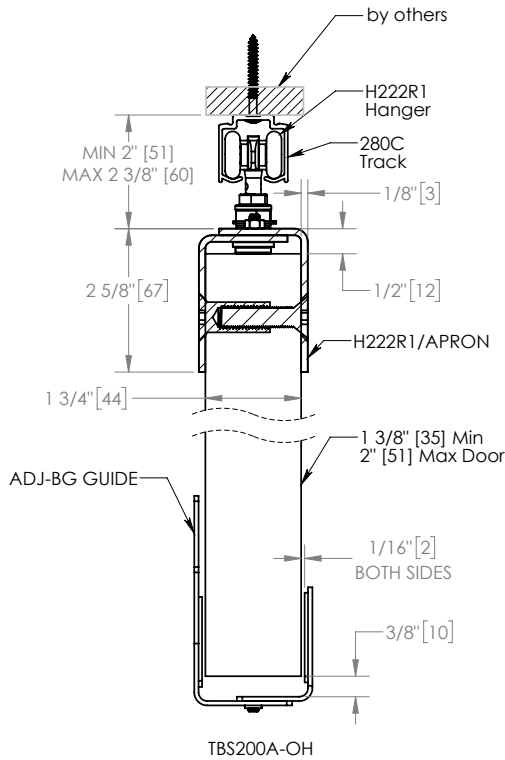
**PEMKO**  
**ASSA ABLOY**

Experience a safer  
and more open world

## TBS200A-OH Series

For Sliding Panels up to 200 lbs.

Manufactured by Pemko Manufacturing



### Configurations:

- Single
- Bi-parting

### Installations:

- Overhead Mount

### Features:

- Overhead mount system
- Nylon body and steel ball bearing nylon wheels for smooth operation
- 200 lb. panel capacity
- Clear anodized aluminum track 280C
- 2 year warranty
- Meets ADA push force requirements

### TBS200A-OH Kits Include:

- 1 ea **280C** Clear Anodized Aluminum Track
- 2 ea **H222R1 Hanger** Gray Nylon Body, Zinc Coated Steel Pendant Bolt, Steel Ball Bearing Nylon Wheels
- 2 ea **H222R1/APRON** Mounting Apron Through-Bolted
- 1 ea **ADJ-BG** Surface Type Guide
- 2 ea **TELS-14KIT** Nylon In-Track Clip Stop

### Standard Kit Sizes

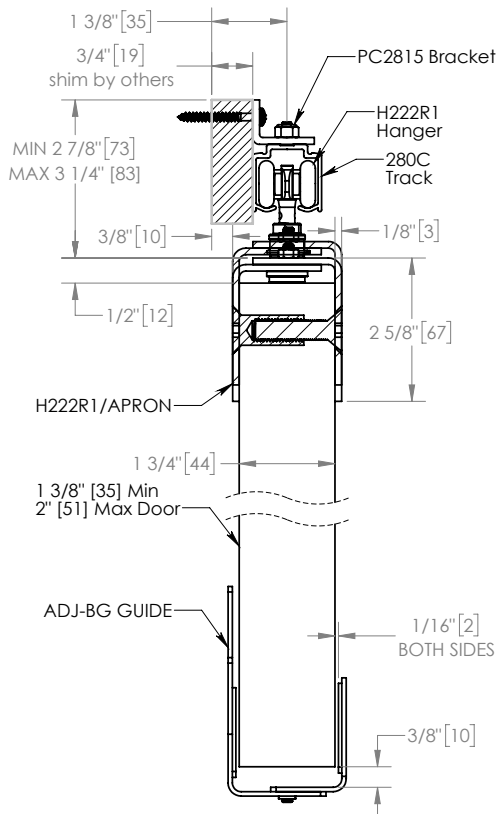
PART NUMBER	MATERIAL	TRACK LENGTH	DOOR WIDTH
TBS200A-OH/6	Aluminum	72"	36"
TBS200A-OH/8	Aluminum	96"	48"
TBS200A-OH/10	Aluminum	120"	60"
TBS200A-OH/12	Aluminum	144"	72"



Experience a safer and more open world

# TBS200A-SW Series

**For Sliding Panels up to 200 lbs.**  
Manufactured by Pemko Manufacturing



### Configurations:

- Single
- Bi-parting

### Installations:

- Side Wall Mount

### Features:

- Side wall mount system
- Nylon body and steel ball bearing nylon wheels for smooth operation
- 200 lb. panel capacity
- Clear anodized aluminum track 280C
- 2 year warranty
- Meets ADA push force requirements

### TBS200A-SW Kits Include:

- 1 ea **200** Clear Anodized Aluminum Track
- **PC2815** Side Wall Mount Track Brackets (One at each end and no more than 3 feet in between)
- 2 ea **H222R1 HANGER** Gray Nylon Body, Zinc Coated Steel Pendant Bolt, Steel Ball Bearing Nylon Wheels
- 2 ea **H222R1/APRON** Mounting Apron Through-Bolted
- 1 ea **ADJ-BG** Surface Type Guide
- 2 ea **TELS-14KIT** Nylon In-Track Clip Stop

Standard Kit Sizes			
PART NUMBER	MATERIAL	TRACK LENGTH	DOOR WIDTH
TBS200A-SW/6	Aluminum	72"	36"
TBS200A-SW/8	Aluminum	96"	48"
TBS200A-SW/10	Aluminum	120"	60"
TBS200A-SW/12	Aluminum	144"	72"

800-824-3018 | [www.pemko.com](http://www.pemko.com)  
Check the web site for the up-to-date catalog

Copyright © 2015-2025, ASSA ABLOY Accessories and Door Controls Group, Inc., an ASSA ABLOY Group company. All rights reserved. Reproduction in whole or in part without the express written permission of ASSA ABLOY Accessories and Door Controls Group, Inc. is prohibited.

**PEMKO**  
**ASSA ABLOY**

Experience a safer  
and more open world

## TBS250A-OH Series

For Sliding Panels up to 250 lbs.

Manufactured by Pemko Manufacturing

### Configurations:

- Single
- Bi-parting

### Installations:

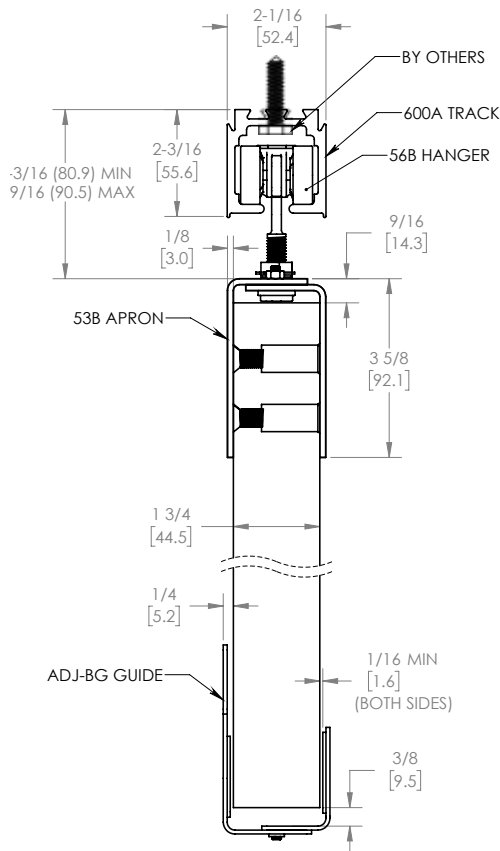
- Overhead Mount

### Features:

- Overhead mount system
- Nylon body and steel ball bearing nylon wheels for smooth operation
- 250 lb. panel capacity
- Mill finished aluminum track 600A
- 2 year warranty
- Meets ADA push force requirements

### TBS250A-OH Kits Include:

- 1 ea **600A** Mill Finished Aluminum Track
- 2 ea **56B** Hangers: Gray Nylon Body, Zinc Coated Steel Pendant Bolt, Steel Ball Bearing Nylon Wheels
- 2 ea **53B/APRON** Mounting Brackets Thru-Bolted
- 1 ea **ADJ-BG** Surface Type Guide
- 2 ea **601P** Nylon In-Track Clip Stop



### Standard Kit Sizes

PART NUMBER	MATERIAL	TRACK LENGTH	DOOR WIDTH
TBS250A-OH/6	Aluminum	72"	36"
TBS250A-OH/8	Aluminum	96"	48"
TBS250A-OH/10	Aluminum	120"	60"
TBS250A-OH/12	Aluminum	144"	72"
TBS250A-OH/16	Aluminum	192"	96"

**PEMKO**  
**ASSA ABLOY**

Experience a safer  
and more open world

800-824-3018 | [www.pemko.com](http://www.pemko.com)  
Check the web site for the up-to-date catalog

Copyright © 2015-2025, ASSA ABLOY Accessories and Door Controls Group, Inc., an ASSA ABLOY Group company. All rights reserved. Reproduction in whole or in part without the express written permission of ASSA ABLOY Accessories and Door Controls Group, Inc. is prohibited.

# TBS250A-SW Series

**For Sliding Panels up to 250 lbs.**  
Manufactured by Pemko Manufacturing

## Configurations:

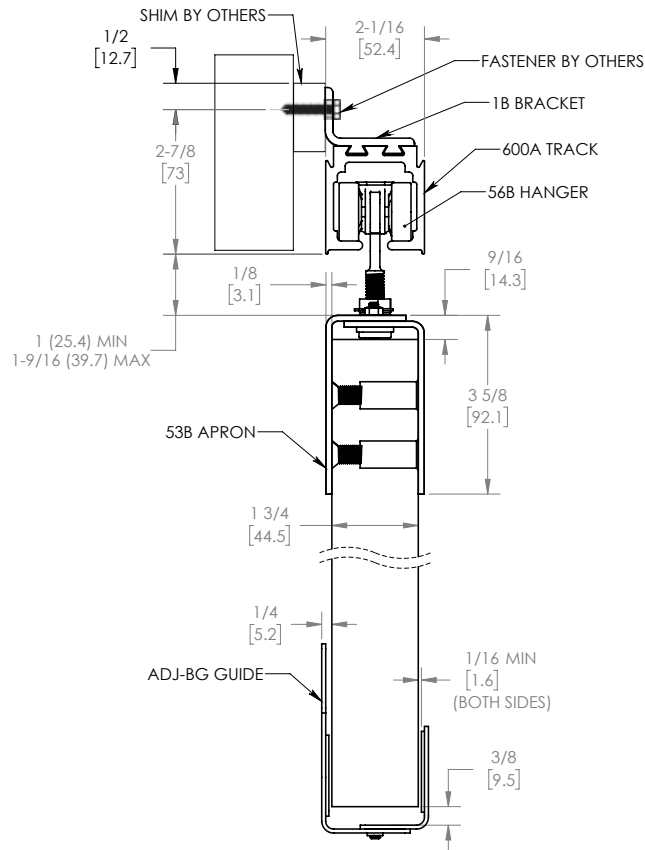
- Single
- Bi-parting

## Installations:

- Side Wall Mount

## Features:

- Side wall mount system
- Nylon body and steel ball bearing nylon wheels for smooth operation
- 250 lb. panel capacity
- Mill finished aluminum track 600A
- 2 year warranty
- Meets ADA push force requirements



## TBS250A-SW Kits Include:

- 1 ea **600A** Mill Finished Aluminum Track
- **1B** Side Wall Mount Track Brackets (One at each end and no more than 3 feet in between)
- 2 ea **56B** Hangers: Gray Nylon Body, Zinc Coated Steel Pendant Bolt, Steel Ball Bearing Nylon Wheels
- 2 ea **53B/APRON** Mounting Brackets Thru-Bolted
- 1 ea **ADJ-BG** Surface Type Guide
- 2 ea **601P** Nylon In-Track Clip Stop

Standard Kit Sizes			
PART NUMBER	MATERIAL	TRACK LENGTH	DOOR WIDTH
TBS250A-SW/6	Aluminum	72"	36"
TBS250A-SW/8	Aluminum	96"	48"
TBS250A-SW/10	Aluminum	120"	60"
TBS250A-SW/12	Aluminum	144"	72"
TBS250A-SW/16	Aluminum	192"	96"

800-824-3018 | [www.pemko.com](http://www.pemko.com)  
Check the web site for the up-to-date catalog

Copyright © 2015-2025, ASSA ABLOY Accessories and Door Controls Group, Inc., an ASSA ABLOY Group company. All rights reserved.  
Reproduction in whole or in part without the express written permission of ASSA ABLOY Accessories and Door Controls Group, Inc. is prohibited.

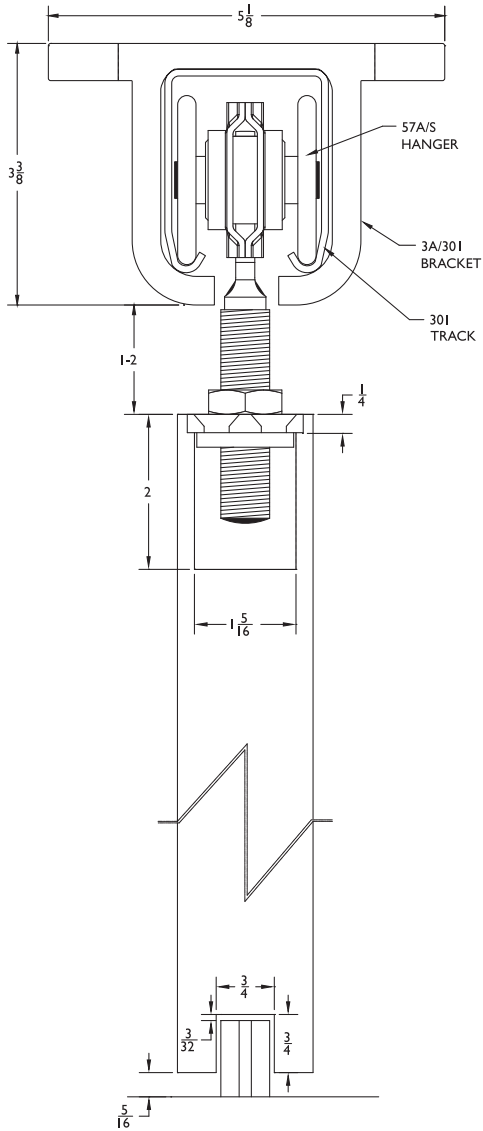
**PEMKO**  
**ASSA ABLOY**

Experience a safer  
and more open world

## H600S-OH Series

For Sliding Panels up to 600 lbs.

Manufactured by P.C. Henderson



89/2N

### Configurations:

- Single
- Bi-parting

### Installations:

- Overhead Mount

### Features:

- Overhead mount system
- Heavy duty zinc coated steel
- Ball bearing wheels
- 600 lb. panel capacity
- Galvanized steel track 301
- 2 year warranty

### H600S-OH Kits Include:

- 1 ea **301** Galvanized Steel Track
- **3A/301** Aluminum Alloy Overhead Mount Track Brackets  
(One at each end and no more than three feet in between)
- 2 ea **1A/301/EC** Aluminum Alloy End Caps
- 2 ea **57A/S** Zinc Coated Steel Body, Wheels, and Pendant Bolt Hangers
- 2 ea **HH3/301** Galvanized Steel In-Track Stops
- 1 ea **89/2N** Gray Nylon Mortise Guide

### Standard Kit Sizes

PART NUMBER	MATERIAL	TRACK LENGTH	DOOR WIDTH
H600S-OH/8	Steel	96"	48"
H600S-OH/10	Steel	120"	60"
H600S-OH/12	Steel	144"	72"

### Options:

- Bottom Channel **94A**
- Roller Guide **106R/94**
- Mortise Guides **102N**
- Threshold **971A**
- Joining Bracket **3AX/301**
- Stainless Steel Flush Bolt **FB150SS**
- Stainless Steel Flush Pull **503SF**

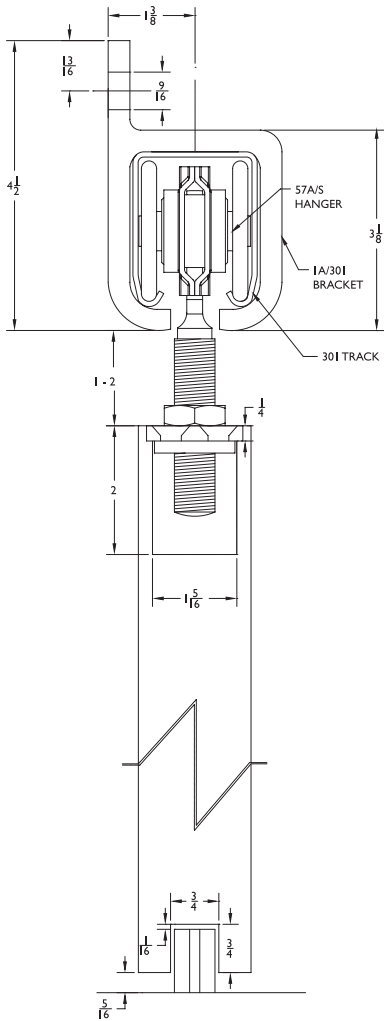
**PEMKO**  
**ASSA ABLOY**

Experience a safer  
and more open world



# H600S-SW SERIES

**For Sliding Panels up to 600 lbs.**  
 Manufactured by P.C. Henderson



89/2N

## Configurations:

- Single
- Bi-parting

## Installations:

- Side Wall Mount

## Features:

- Side wall mount system
- Heavy duty zinc coated steel
- Ball bearing wheels
- 600 lb. panel capacity
- Galvanized steel track 301
- 2 year warranty

## H600S-SW Kits Include:

- 1 ea **301** Galvanized Steel Track
- **1A/301** Side Wall Mount Track Brackets (One at each end and no more than three feet in between)
- 2 ea **1A/301/EC** Aluminum Alloy End Caps
- 2 ea **57A/S** Zinc Coated Steel Body, Wheels, and Pendant Bolt Hangers
- 2 ea **HH3/301** Galvanized Steel In-Track Stops
- 1 ea **89/2N** Gray Nylon Mortise Guide

### Standard Kit Sizes

PART NUMBER	MATERIAL	TRACK LENGTH	DOOR WIDTH
H600S-SW/8	Steel	96"	48"
H600S-SW/12	Steel	144"	72"

## Options:

- Bottom Channel **94A**
- Roller Guide **106R/94**
- Mortise Guides **102N**
- Side Wall Mortise Guides **102WN**
- Joining Bracket **1AX/301**
- Stainless Steel Flush Bolt **FB150SS**
- Stainless Steel Flush Pull **503SF**

800-824-3018 | [www.pemko.com](http://www.pemko.com)  
 Check the web site for the up-to-date catalog

Copyright © 2015-2025, ASSA ABLOY Accessories and Door Controls Group, Inc., an ASSA ABLOY Group company. All rights reserved.  
 Reproduction in whole or in part without the express written permission of ASSA ABLOY Accessories and Door Controls Group, Inc. is prohibited.

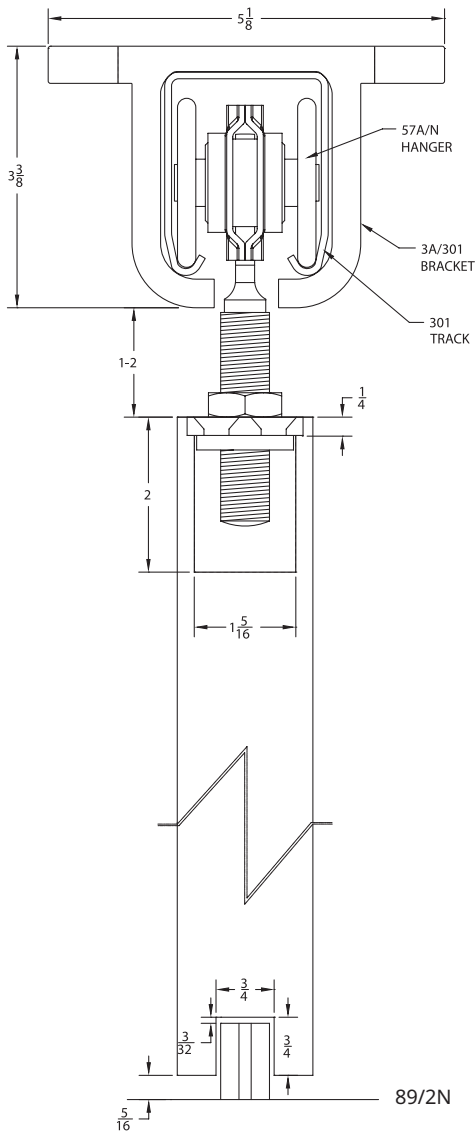
**PEMKO**  
**ASSA ABLOY**

Experience a safer  
 and more open world

## H800S-OH SERIES

For Sliding Panels up to 800 lbs.

Manufactured by P.C. Henderson



### Configurations:

- Single
- Bi-parting

### Installations:

- Overhead Mount

### Features:

- Overhead mount system
- Heavy duty zinc coated steel body
- Ball bearing nylon wheels for smooth operation
- 800 lb. panel capacity
- Galvanized steel track 301
- 2 year warranty

### H800S-OH Kits Include:

- 1 ea **301** Galvanized Steel Track
- **3A/301** Overhead Mount Track Brackets (One at each end and no more than three feet in between)
- 2 ea **1A/301/EC** Aluminum Alloy End Caps
- 2 ea **57A/N** Zinc Coated Steel Body, Nylon Wheels, and Pendant Bolt Hangers
- 2 ea **HH3/301** Galvanized Steel In-Track Stop
- 1 ea **89/2N** Gray Nylon Mortise Guide

### Standard Kit Sizes

PART NUMBER	MATERIAL	TRACK LENGTH	DOOR WIDTH
H800S-OH/8	Steel	96"	48"
H800S-OH/10	Steel	120"	60"

### Options:

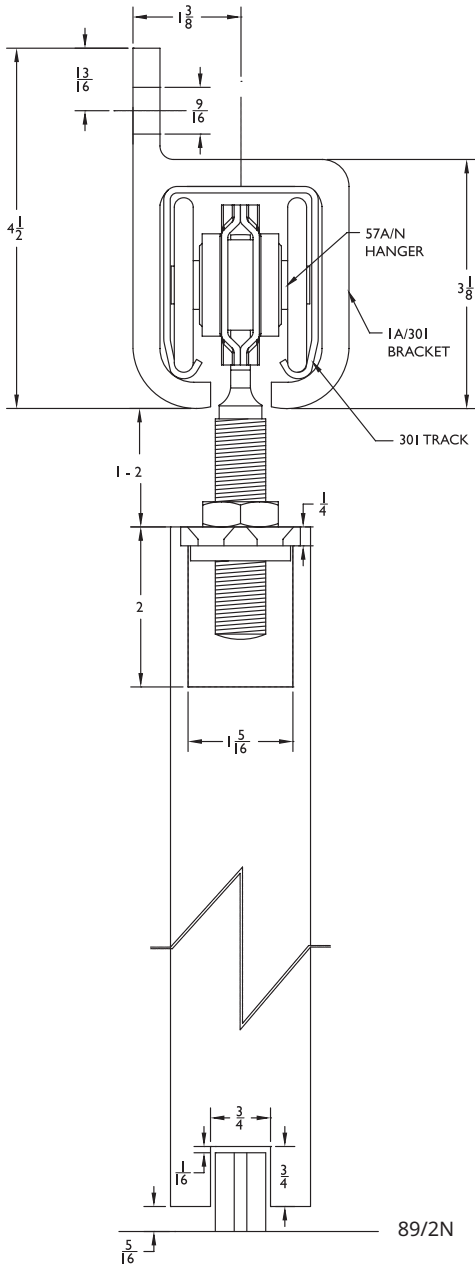
- Bottom Channel **94A**
- Roller Guide **106R/94**
- Mortise Guides **102N**
- Threshold **971A**
- Joining Bracket **3AX/301**
- Stainless Steel Flush Bolt **FB150SS**
- Stainless Steel Flush Pull **503SF**



Experience a safer and more open world

# H800S-SW SERIES

**For Sliding Panels up to 800 lbs.**  
Manufactured by P.C. Henderson



## Configurations:

- Single
- Bi-parting

## Installations:

- Side Wall Mount

## Features:

- Side wall mount system
- Heavy duty zinc coated steel body
- Heavy ball bearing nylon wheels for smooth operation
- 800 lb. panel capacity
- Galvanized steel track 301
- 2 year warranty

## H800S-SW Kits Include:

- 1 ea **301** Galvanized Steel Track
- **1A/301** Aluminum Alloy Side Wall Mount Track Brackets (One at each end and no more than three feet in between)
- 2 ea **1A/301/EC** Aluminum Alloy End Caps
- 2 ea **57A/N** Zinc Coated Steel Body, Nylon Wheels, and Pendant Bolt Hangers
- 2 ea **HH3/301** Galvanized Steel In-Track Stops
- 1 ea **89/2N** Gray Nylon Mortise Guide

Standard Kit Sizes			
PART NUMBER	MATERIAL	TRACK LENGTH	DOOR WIDTH
H800S-SW/6	Steel	72"	36"
H800S-SW/10	Steel	120"	60"
H800S-SW/12	Steel	144"	72"

## Options:

- Bottom Channel **94A**
- Roller Guide **106R/94**
- Mortise Guides **102N**
- Side Wall Mortise Guides **102WN** (nylon) and **102WA** (steel)
- Joining Bracket **1AX/301**
- Stainless Steel Flush Bolt **FB150SS**
- Stainless Steel Flush Pull **503SF**

800-824-3018 | www.pemko.com  
Check the web site for the up-to-date catalog

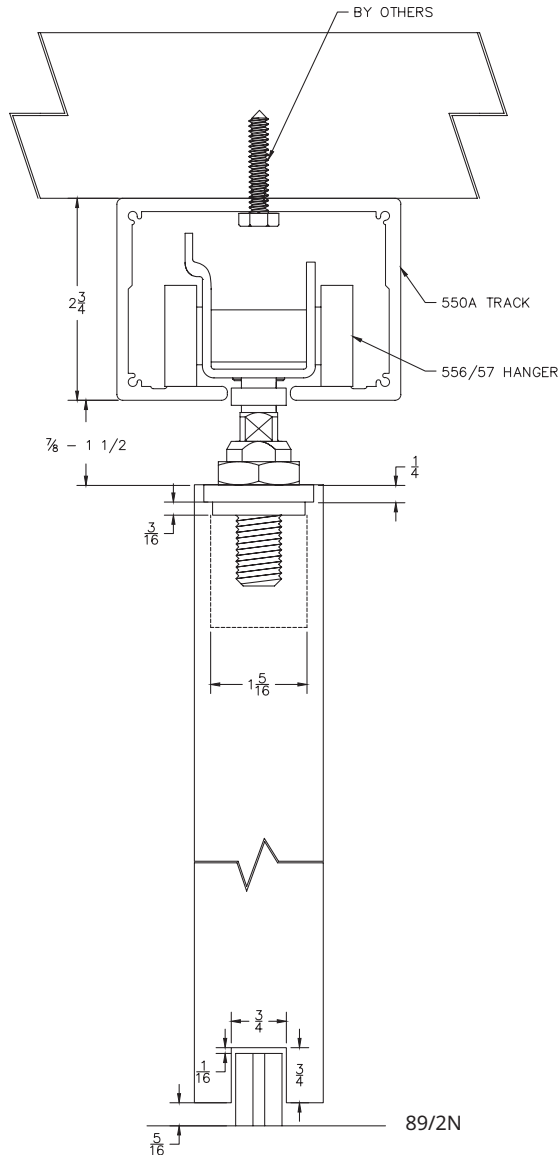
Copyright © 2015-2025, ASSA ABLOY Accessories and Door Controls Group, Inc., an ASSA ABLOY Group company. All rights reserved.  
Reproduction in whole or in part without the express written permission of ASSA ABLOY Accessories and Door Controls Group, Inc. is prohibited.

**PEMKO**  
**ASSA ABLOY**

Experience a safer  
and more open world

# H1100A-OH SERIES

**For Sliding Panels up to 1100 lbs.**  
 Manufactured by P.C. Henderson



**Ideally suited for large doors that require high performance and an attractive finish.**

Typical applications are hotels, conference centers, shop-fronts and showrooms.

**Configurations:**

- Single
- Bi-parting

**Installations:**

- Overhead Mount

**Features:**

- For top hung wood and metal doors
- Heavy duty black painted steel body
- Ball bearing steel wheels
- 1100 lb. panel capacity
- Mill finished aluminum track 550A
- 2 year warranty

**H1100A-OH Kits Include:**

- 1 ea **550A** Mill Finished Aluminum Track
- 2 ea **556/57** Painted Black Steel Body - Zinc Coated Steel Wheels and Pendant Bolt Hangers
- 2 ea **HH3/301** Galvanized Steel In-Track Stops
- 1 ea **89/2N** Gray Nylon Mortise Guide

Standard Kit Sizes			
PART NUMBER	MATERIAL	TRACK LENGTH	DOOR WIDTH
H1100A-OH/6	Aluminum	72"	36"
H1100A-OH/8	Aluminum	96"	48"
H1100A-OH/10	Aluminum	120"	60"
H1100A-OH/12	Aluminum	144"	72"
H1100A-OH/16	Aluminum	197"	98"

**Options:**

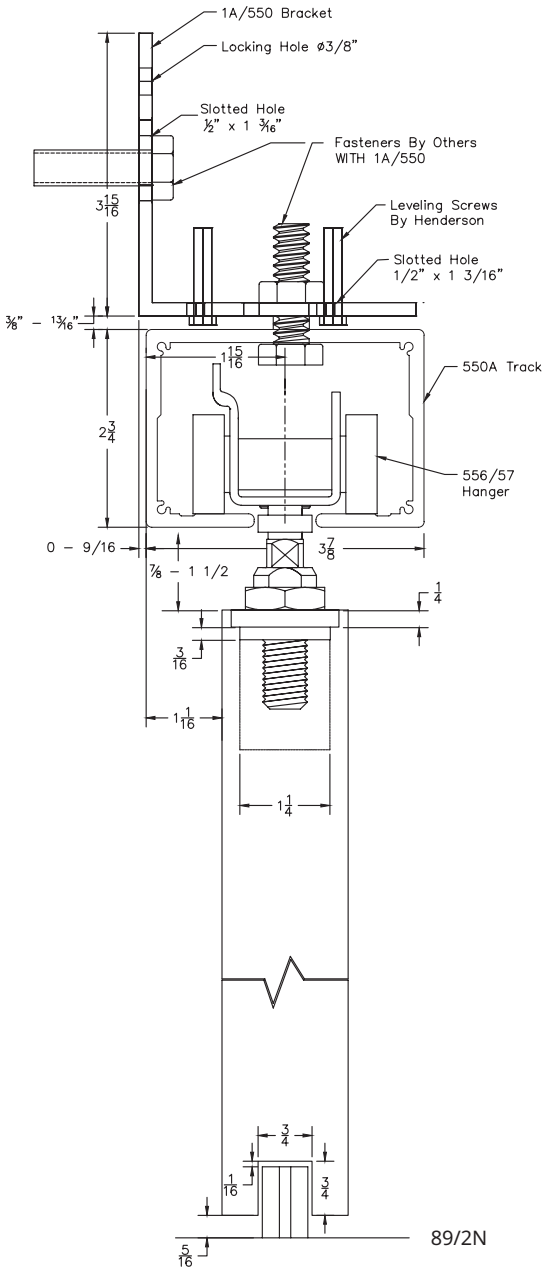
- Bottom Channel **94A**
- Roller Guide **106R/94**
- Threshold **971A**
- Stainless Steel Flush Bolt **FB150SS**
- Stainless Steel Flush Pull **503SF**



Experience a safer and more open world

# H1100A-SW SERIES

**For Sliding Panels up to 1100 lbs.**  
Manufactured by P.C. Henderson



**Ideally suited for large doors that require high performance and an attractive finish.**

Typical applications are hotels, conference centers, shop-fronts and showrooms.

**Configurations:**

- Single
- Bi-parting

**Installations:**

- Side Wall Mount

**Features:**

- Heavy duty black painted steel body ball bearing wheels
- 1100 lb. panel capacity
- Mill finished aluminum track 550A
- 2 year warranty

**H1100A-SW Kits Include:**

- 1 ea **550A** Mill Finished Aluminum Track
- **1A/550** Aluminum Alloy Side Wall Track Bracket  
Fastners not included with 1A/550. (One at each end and no more than three feet in between)
- 2 ea **556/57** Painted Black Steel Body - Zinc Coated Steel Wheels and Pendant Bolt Hangers
- 2 ea **HH3/301** Galvanized Steel In-Track Stops
- 1 ea **89/2N** Gray Nylon Mortise Guide

Standard Kit Sizes			
PART NUMBER	MATERIAL	TRACK LENGTH	DOOR WIDTH
H1100A-SW/6	Aluminum	72"	36"
H1100A-SW/8	Aluminum	96"	48"
H1100A-SW/10	Aluminum	120"	60"
H1100A-SW/12	Aluminum	144"	72"
H1100A-SW/16	Aluminum	197"	98"

**Options:**

- Bottom Channel **94A**
- Roller Guide **106R/94**
- Stainless Steel Flush Bolt **FB150SS**
- Stainless Steel Flush Pull **503SF**

800-824-3018 | www.pemko.com  
Check the web site for the up-to-date catalog

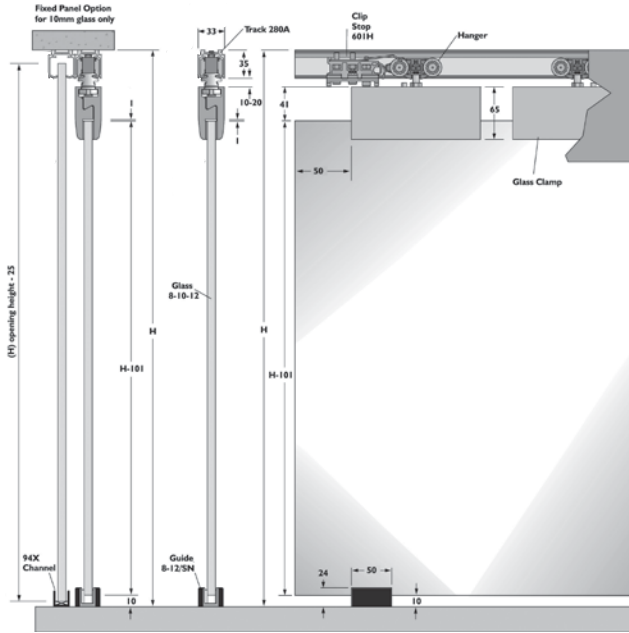
Copyright © 2015-2025, ASSA ABLOY Accessories and Door Controls Group, Inc., an ASSA ABLOY Group company. All rights reserved. Reproduction in whole or in part without the express written permission of ASSA ABLOY Accessories and Door Controls Group, Inc. is prohibited.



Experience a safer and more open world

# HUSKY SLIDING GLASS SERIES

**For Sliding Panels up to 165 lbs.**  
 Manufactured by P.C. Henderson



For lightweight glass applications such as office doors and small glass partitions.

- 2 year warranty

**Capacity:**

Max. door weight 165 lbs. (75kg)  
 Max. door height 7' 10" (2400mm)  
 Max. door width 4' 1" (1250mm)  
 Glass thickness 5/16" (8mm) & 3/8" (10mm)

**Door Types:**

Glass panels of 5/16" (8mm) or 3/8" (10mm) thickness in tempered or laminated glass.  
 Meets ADA push force requirements

**8/HY/75 and 10/HY/75 HUSKY Glass Clamp Kit:**

- 8/HY/75 is for 8mm or 5/16" thick glass
- 10/HY/75 kit is for 10mm or 3/8" thick glass
- 2 ea **284D** Hangers
- 2 ea GLASS Clamps
- 2 ea **601H** End stops
- 1 ea **8-12/SN** adjustable guide for 5/16" or 3/8" glass guide

Standard Track Sizes		
PART NUMBER	MATERIAL	STANDARD TRACK SIZES (Track Ordered Separately)
280C72	Aluminum	72"
280C96	Aluminum	96"

**Options:**

- Face mount bracket: **PC2815** available as 5 pack only, **PC2815** pack of 5 281 zinc plated side wall bracket. NOTE: Need one at each end and no more than 2 feet in-between. Fasteners included.
- Guides: **8-12/SN** adjustable guide for 5/16" or 3/8" glass guide
- Accessories: **601H** retaining stop mounted within the track



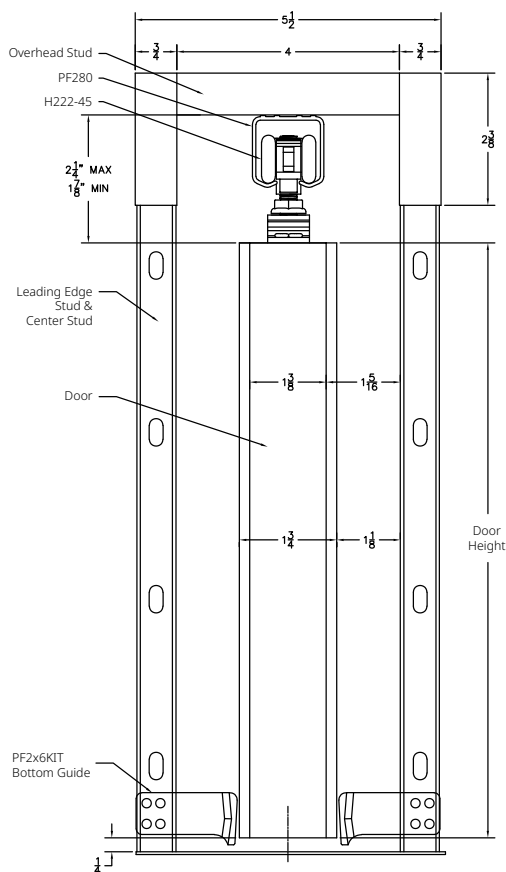
Experience a safer and more open world

800-824-3018 | www.pemko.com  
 Check the web site for the up-to-date catalog

Copyright © 2015-2025, ASSA ABLOY Accessories and Door Controls Group, Inc., an ASSA ABLOY Group company. All rights reserved. Reproduction in whole or in part without the express written permission of ASSA ABLOY Accessories and Door Controls Group, Inc. is prohibited.

# POCKET FRAME KIT

For Sliding Panels up to 200 lbs.



NOTE: 3/4" plywood can be installed to the studs in the pocket to add strength and rigidity to pocket door walls.

**Rough Frame Opening Dimensions:**  
2 x Door Width + 1" and Door Height + 5"

## Features:

- Heavy duty hardware supports doors up to 200 lbs. each
- Standard kit is for 1 3/8" door. For 1 3/4" door, MUST use PF134KIT (see Options below)
- For standard 3 1/2" studs only. Not for use with 2x6 or SP6 kits
- Chrome plated steel hangers are corrosion resistant and no maintenance is required
- 5 year warranty
- Meets ADA push force requirements

## Pocket Frame Kit Includes:

- 1 ea Header Track Assembly
- 4 ea **PFAS\_** Aluminum Cased Wood Studs
- 2 ea **PFHB-1** and **PFHB-2** Pre-Mounted Header Brackets
- 2 ea **H222R1** Hangers
- 2 ea **PFFC-8** Floor Cleats
- 1 ea **PFBS** Pocket Frame Bumper Stop
- 1 ea **Bottom Guide**
- PFBG-8** Pocket Frame Bottom Guide for 1 3/8" thick doors mounting hardware
- PF2x6KIT** Pocket Frame Bottom Guide for 2x6 and SP6 kit

Standard Kit Sizes			
2x4 Wood or Metal Stud Constructed Walls	2x6 Wood Stud Constructed Walls	2x6 Metal Stud Constructed Walls	Net Door Size (The Kits can be trimmed in field)
PF28200A6080	PF28200A6080-2x6	PF28200A6080-SP6	2'6" x 6'8"
PF28200A7280	PF28200A7280-2x6	PF28200A7280-SP6	3'0" x 6'8"
PF28200A9680	PF28200A9680-2x6	PF28200A9680-SP6	4'0" x 6'8"
PF28200A6084	PF28200A6084-2x6	PF28200A6084-SP6	2'6" x 7'0"
PF28200A7284	PF28200A7284-2x6	PF28200A7284-SP6	3'0" x 7'0"
PF28200A9684	PF28200A9684-2x6	PF28200A9684-SP6	4'0" x 7'0"
PF28200A6096	PF28200A6096-2x6	PF28200A6096-SP6	2'6" x 8'0"
PF28200A7296	PF28200A7296-2x6	PF28200A7296-SP6	3'0" x 8'0"
PF28200A9696	PF28200A9696-2x6	PF28200A9696-SP6	4'0" x 8'0"

## Options:

- PF134 KIT** - Recommended for use with 1 3/4" thick doors in 2x4 constructed wall kits (3 1/2" stud). Not for use with 2x6 or SP6 stud kits.
  - PFAS84** - For doors over 3' wide an extra pair of 84" center studs with floor cleat for 80" tall doors recommended
  - PFAS88** - For doors over 3' wide an extra pair of 88" center studs with floor cleat for 84" tall doors recommended
  - PFAS100** - For doors over 3' wide an extra pair of 100" center studs with floor cleat for 96" tall doors recommended
  - PFCDKIT** - Conversion Kit to achieve a bipart double door frame
  - PFFKIT-4** - Replacement Hardware Kit for Pemko Pocket Frame Kit for 1 3/4" thick doors (Each contains 2-H222-45 Hangers, 1-PFBS Bumper Stop, 1- PFBG-4 Guide, 2 PFHS Header Shims, 2-PFFC-4 Floor Cleats)
  - PFFKIT-8** - Replacement Hardware Kit for Pemko Pocket Frame Kit for 1 3/8" thick doors (Each contains 2-H222-45 Hangers, 1-PFBS Bumper Stop, 1- PFBG-8 Guide, 2-PFFC-8 Floor Cleats)
- Soft Close available. See pages 256-258 for more information.

**PEMKO**  
**ASSA ABLOY**

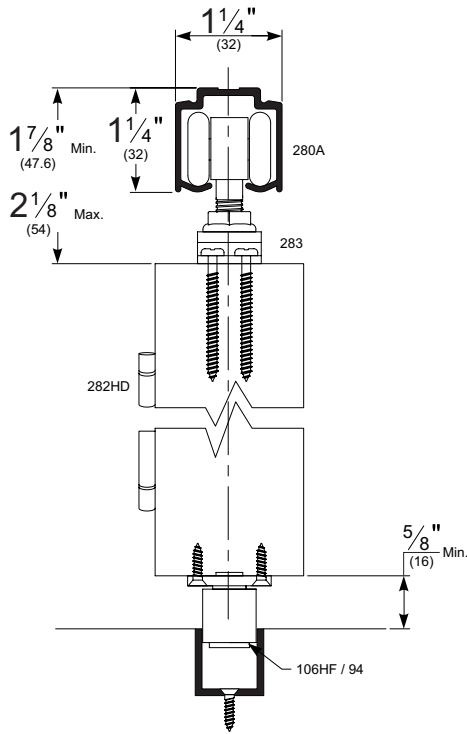
Experience a safer  
and more open world

# FOLDING 100 SERIES

For Folding Doors up to 100 lbs.  
For Doors up to 24" Wide x 96" Tall

Manufactured by P.C. Henderson

## 280C Overhead Mounted



### Features:

- For medium weight folding doors
- Two and four leaf kits are available
- 2 year warranty

### Two Panel:

#### HF2/100A Kits Include:

- 1 ea **280C** Clear Anodized Track
- 1 ea **283** Hanger
- 1 ea **289T** Top Pivot
- 1 ea **289B** Bottom Pivot
- 3 ea **282HD26** Hinges
- 1 ea **106HF/94** Roller Guide
- 1 ea **94A** Aluminum Guide Channel
- 1 ea Adjusting Wrench and Mounting Hardware

### Four Panel:

#### HF4/100A Kits Include:

- 1 ea **280C** Clear Anodized Track
- 2 ea **283** Hangers
- 2 ea **289T** Top Pivots
- 2 ea **289B** Bottom Pivots
- 6 ea **282HD26** Hinges
- 2 ea **106HF/94** Roller Guide
- 1 ea **94A** Aluminum Guide Channel
- 1 ea Adjusting Wrench and Mounting Hardware

### Standard Kit Sizes

PART NUMBER	MATERIAL	# OF PANELS	TRACK LENGTH
HF2/100A/2	Aluminum	2	24"
HF2/100A/2'6	Aluminum	2	30"
HF2/100A/3	Aluminum	2	36"
HF2/100A/4	Aluminum	2	48"
HF4/100A/4	Aluminum	4	48"
HF4/100A/5	Aluminum	4	60"
HF4/100A/6	Aluminum	4	72"
HF4/100A/8	Aluminum	4	96"

### Options:

- Mounting Bracket **PC2815** available as 5 pack only, **PC2815** pack of 5 281 zinc plated side wall bracket.  
NOTE: Need one at each end and no more than 2 feet in-between. Fasteners included.
- Threshold **971A**
- Track **280D** dark bronze anodized aluminum

Note: Allow 1/4" clearance at pivot jambs and 1/8" in between hinged doors if hinges are mortised. Allow 3/16" between hinged doors if hinges are surface mounted. Allow 1/8" between doors meeting in the center of the opening on HF4 kits and allow 1/8" between wall and end panel on HF2 kits.

**PEMKO**  
**ASSA ABLOY**

Experience a safer  
and more open world

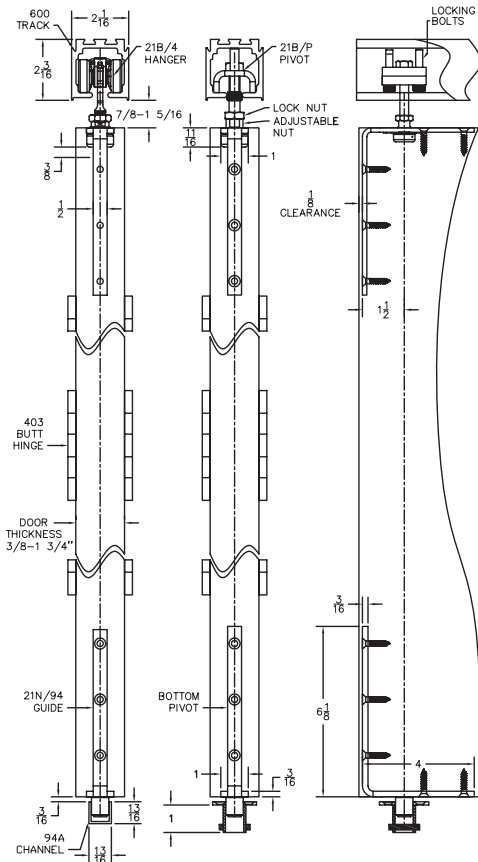


# PACER INTERIOR END FOLD SERIES

For Folding Doors and Room Dividers up to 165 lbs.

For Doors up to 36" Wide x 106" Tall

Manufactured by P.C. Henderson



## Features:

- For top-hung, medium weight, interior, partition doors
- Ideal in both residential and commercial applications requiring end folding doors
- 2 year warranty

## Two Panel: plan 1

### PIF2/165A Kits Include:

- 1 ea **600A** Mill Finished Aluminum Track
- 1 ea **21B/P** Top and Bottom Pivot Assembly
- 1 ea **21B/4** Nylon Body and Wheels, Zinc Coated Steel Pendant Bolt and Door Bracket Hanger
- 1 ea **21N/94** Nylon Roller Guide on Zinc Coated Steel Door Bracket Bottom Guide
- 4 ea **403/2** Aluminum Alloy Butt Hinges
- 1 ea **94A** Aluminum Guide Channel

## Four Panel: plan 2

### PIF4/165A Kits Include:

- 1 ea **600A** Mill Finished Aluminum Track
- 2 ea **21B/P** Top and Bottom Pivot Assembly
- 2 ea **21B/4** Nylon Body and Wheels, Zinc coated steel Pendant Bolt and Door Bracket Hanger
- 2 ea **21N/94** Nylon Roller Guide on Zinc Coated Steel Door Bracket Bottom Guide
- 8 ea **403/2** Aluminum Alloy Butt Hinges
- 1 ea **94A** Aluminum Guide Channel

### Standard Kit Sizes

PART NUMBER	MATERIAL	# OF PANELS	TRACK LENGTH
PIF2/165A/6	Aluminum	2	72"
PIF4/165A/6	Aluminum	4	72"
PIF4/165A/8	Aluminum	4	96"
PIF4/165A/12	Aluminum	4	2 @ 72"

## Options:

- Threshold **971A**
- Stainless Steel Flush Bolt **FB150SS**
- Stainless Steel Flush Pull **503SF**

NOTE: Allow  $\frac{3}{8}$ " clearance at pivot jambs and  $\frac{1}{8}$ " in between hinged doors if hinges are mortised. Allow  $\frac{7}{16}$ " between hinged doors if hinges are surface mounted. Allow  $\frac{1}{8}$ " between doors meeting in the center of the opening on PIF4 kits and allow  $\frac{1}{8}$ " between wall and end panel on PIF2 kits.

800-824-3018 | www.pemko.com

Check the web site for the up-to-date catalog

Copyright © 2015-2025, ASSA ABLOY Accessories and Door Controls Group, Inc., an ASSA ABLOY Group company. All rights reserved. Reproduction in whole or in part without the express written permission of ASSA ABLOY Accessories and Door Controls Group, Inc. is prohibited.

**PEMCO**  
**ASSA ABLOY**

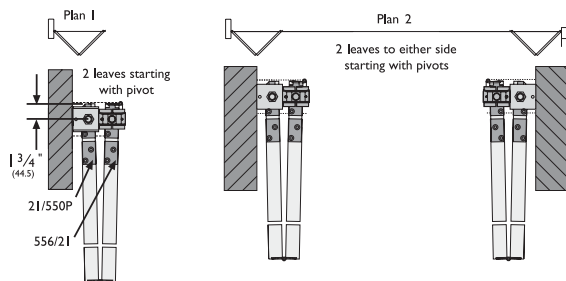
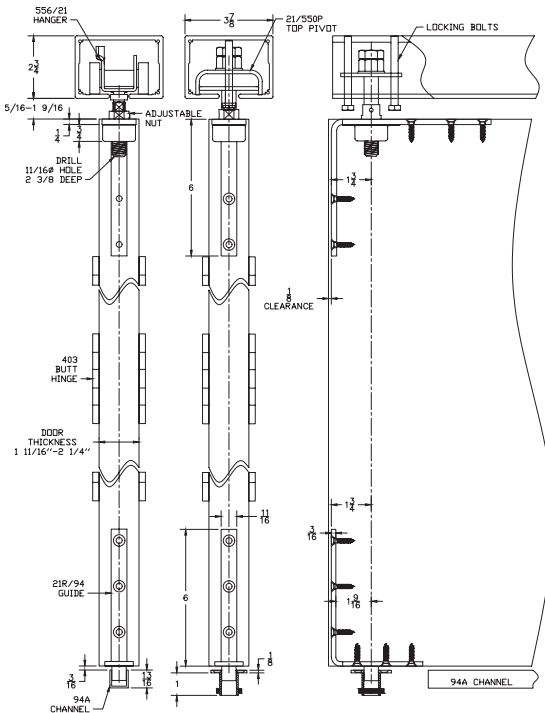
Experience a safer  
and more open world

# FLEXIROL INTERIOR END FOLD SERIES

For Folding Doors and Room Dividers up to 275 lbs.

For Doors up to 48" Wide x 177" Tall

Manufactured by P.C. Henderson



### Features:

- For top-hung, heavy weight, interior, partition doors.
- Specifically designed for commercial applications requiring end folding doors
- 2 year warranty.

### Two Panel: plan 1

#### FIF2/275A Kits Include:

- 1 ea **550A** Mill Finished Aluminum Track
- 1 ea **21/550/P** Top and Bottom Pivot Assembly
- 1 ea **556/21** Zinc Coated Steel Wheels, Pendant Bolt, Body, and Door Bracket
- 1 ea **21R/94** Bottom Guide
- 4 ea **403/2** Aluminum Alloy Butt Hinges
- 1 ea **94A** Aluminum Guide Channel

### Four Panel: plan 2

#### FIF4/275A Kits Include:

- 1 ea **550A** Mill Finished Aluminum Track
- 2 ea **21/550/P** Top and Bottom Pivot Assembly
- 2 ea **556/21** Zinc Coated Steel Wheels, Pendant Bolt, Body, and Door Bracket
- 2 ea **21R/94** Bottom Guide
- 8 ea **403/2** Aluminum Alloy Butt Hinges
- 1 ea **94A** Aluminum Guide Channel

Standard Kit Sizes			
Part Number	Material	# of Panels	Track Length
FIF2/275A/8	Aluminum	2	96"
FIF4/275A/8	Aluminum	4	96"
FIF4/275A/12	Aluminum	4	2 @ 72"
FIF4/275A/16	Aluminum	4	2 @ 96"

### Options:

- Threshold **971A**
- Stainless Steel Flush Bolt **FB150SS**
- Stainless Steel Flush Pull **503SF**

NOTE: Allow  $\frac{3}{8}$ " clearance at pivot jambs and  $\frac{1}{8}$ " in between hinged doors if hinges are mortised. Allow  $\frac{7}{16}$ " between hinged doors if hinges are surface mounted. Allow  $\frac{1}{8}$ " between doors meeting in the center of the opening on FIF4 kits and allow  $\frac{1}{8}$ " between wall and end panel on FIF2 kits.



Experience a safer and more open world

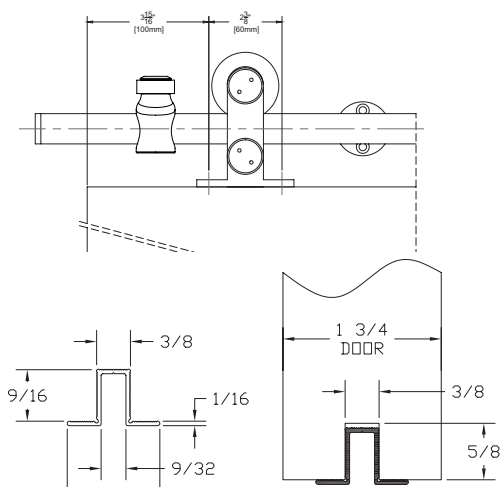
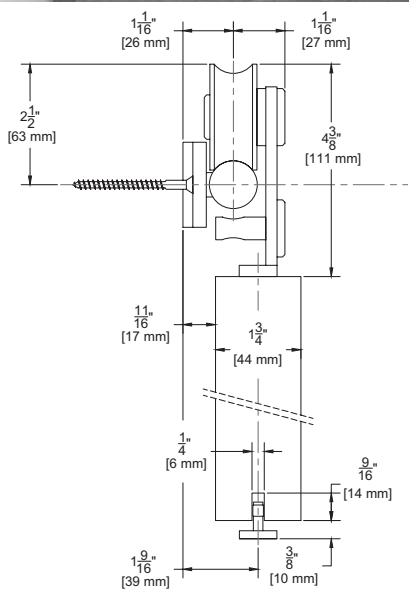
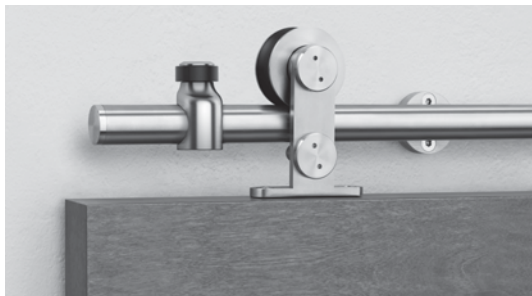
800-824-3018 | www.pemko.com  
Check the web site for the up-to-date catalog

Copyright © 2015-2025, ASSA ABLOY Accessories and Door Controls Group, Inc., an ASSA ABLOY Group company. All rights reserved. Reproduction in whole or in part without the express written permission of ASSA ABLOY Accessories and Door Controls Group, Inc. is prohibited.

# STAINLESS STEEL SLIDING TRACK HARDWARE SYSTEM

## W60 SERIES FOR WOOD DOORS

For Sliding Panels up to 176 lbs.



NOTE: Alternate route dimension when using optional EPD3BL

### Configurations:

- Single
- Bi-parting

### Installations:

- Side Wall Mount (only)

### Features:

- Made of 304 stainless steel
- Nylon coated stainless steel wheel for smooth operation
- 176 lb. panel capacity
- 5 year warranty
- Meets ADA push force requirements

### Finishes:

- Brushed Stainless Steel (W60)
- Black Powder Coated Stainless Steel (W60D)
- Polished Stainless Steel (W60P)

### W60 Kits Include:

- 1 ea **BAR/\_** Stainless Steel Track
- **BRACKET2** Stainless Steel Wall Brackets
- 2 ea **62** Stainless Steel Hangers
- 1 ea **102SS-KIT** Stainless Steel Guide
- 2 ea **STOP3** Stainless Steel Stops Mounting Hardware

NOTE: If ordering individual parts in the optional Black Powder Coat, Polished finishes be sure to include a prefix "D" for Black Powder Coat, "P" for Polished Stainless

Standard Kit Sizes			
PART NUMBER	MATERIAL	TRACK LENGTH	DOOR WIDTH
W60/6	304 Stainless Steel	78 <sup>3</sup> / <sub>4</sub> "	36"
W60/8	304 Stainless Steel	98 <sup>7</sup> / <sub>16</sub> "	48"
W60D/6	Black Powder Coated Stainless Steel	78 <sup>3</sup> / <sub>4</sub> "	36"
W60D/8	Black Powder Coated Stainless Steel	98 <sup>7</sup> / <sub>16</sub> "	48"
W60P/6	304 Polished Stainless Steel	78 <sup>3</sup> / <sub>4</sub> "	36"
W60P/8	304 Polished Stainless Steel	98 <sup>7</sup> / <sub>16</sub> "	48"

Custom lengths are available. Please contact the factory to order.

### Options:

- Hardware Pack (One Door)
- Mortise Guides
- Polypropylene Guide Rail
- 5/8" Spacer

### W60\_H/PACK

#### 102N

**EPD3BL** For Use With 102N

**BLD-SPACER-58** Pack of 5 5/8" Spacer Recommended for use with 5/8" Gypsum Board When Mounting Track Directly to Gypsum Board

800-824-3018 | www.pemko.com

Check the web site for the up-to-date catalog

Copyright © 2015-2025, ASSA ABLOY Accessories and Door Controls Group, Inc., an ASSA ABLOY Group company. All rights reserved. Reproduction in whole or in part without the express written permission of ASSA ABLOY Accessories and Door Controls Group, Inc. is prohibited.

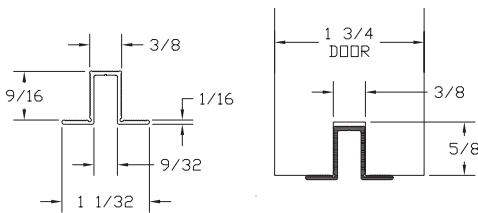
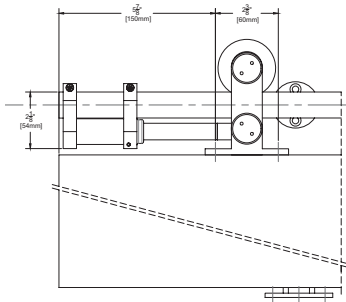
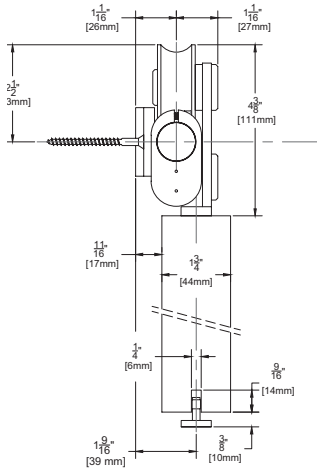
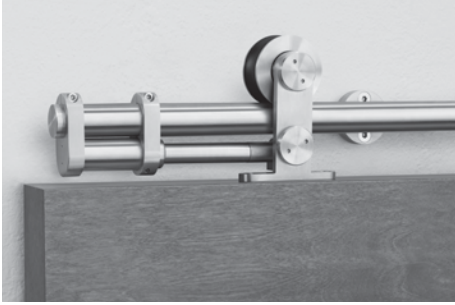
**PEMKO**  
**ASSA ABLOY**

Experience a safer  
and more open world

# STAINLESS STEEL SLIDING TRACK HARDWARE SYSTEM WITH CUSHION STOP

## CS-W60 SERIES FOR WOOD DOORS

For Sliding Panels up to 176 lbs.



NOTE: Alternate route dimension when using optional EPD3BL

**PEMKO**  
**ASSA ABLOY**

Experience a safer  
and more open world

### Configurations:

- Single

### Features:

- Made of 304 stainless steel
- Prevents door racking and bounce back
- Extends life of upper hardware
- Nylon coated stainless steel wheel for smooth operation
- 176 lb. panel capacity
- 5 year warranty
- Meets ADA push force requirements

### Finishes:

- Brushed Stainless Steel
- Black Powder Coated Stainless Steel

### Installations:

- Side Wall Mount (only)

### CS-W60 Kits Include:

- 1 ea **BAR/** Stainless Steel Track
- **BRACKET2** Stainless Steel Wall Brackets
- 2 ea **62** Stainless Steel Hangers
- 1 ea **102SS-KIT** Stainless Steel Guide
- 1 pr **CS-001SS** Stainless Steel Cushion Stops

NOTE: If ordering individual parts in the optional Black Powder Coated Stainless Steel or Polished finishes, be sure to include a suffix "D" for Black Powder Coated Stainless Steel or "P" for Polished Stainless

### Standard Kit Sizes

PART NUMBER	MATERIAL	TRACK LENGTH	DOOR WIDTH
CS-W60/6	304 Stainless Steel	78 <sup>3</sup> / <sub>4</sub> "	36"
CS-W60/8	304 Stainless Steel	98 <sup>7</sup> / <sub>16</sub> "	48"
CS-W60D/6	304 Black Powder Coated Stainless Steel	78 <sup>3</sup> / <sub>4</sub> "	36"
CS-W60D/8	304 Black Powder Coated Stainless Steel	98 <sup>7</sup> / <sub>16</sub> "	48"

Custom lengths are available. Please contact the factory to order.

### Options: See page 278

- Mortise Guides
- Polypropylene Guide Rail
- Cushion Stops

5/8" Spacer

### 102N

### EPD3BL For Use With 102SS-KIT

**CS-001SS** (sold as pair) For use with existing openings that have W60 hardware installed

**BLD-SPACER-58** Pack of 5 5/8" Spacer Recommended for use with 5/8" Gypsum Board When Mounting Track Directly to Gypsum Board

800-824-3018 | [www.pemko.com](http://www.pemko.com)

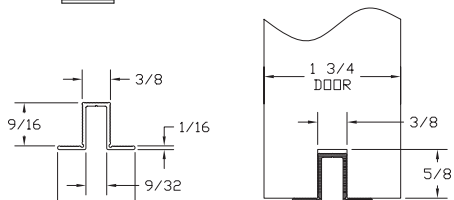
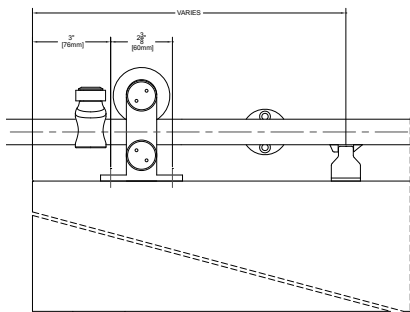
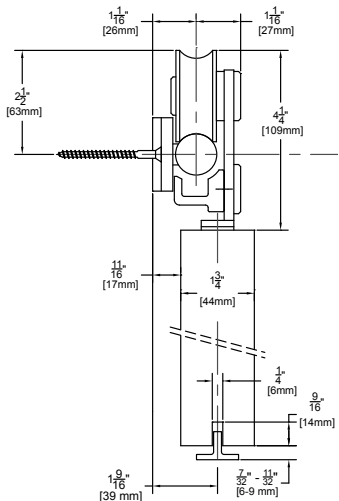
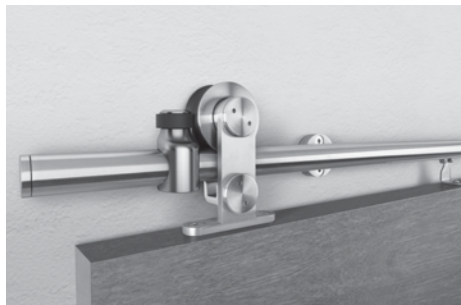
Check the web site for the up-to-date catalog

Copyright © 2015-2025, ASSA ABLOY Accessories and Door Controls Group, Inc., an ASSA ABLOY Group company. All rights reserved. Reproduction in whole or in part without the express written permission of ASSA ABLOY Accessories and Door Controls Group, Inc. is prohibited.

# SOFT CLOSE STAINLESS STEEL SLIDING TRACK HARDWARE SYSTEM

## SFT-W60 SERIES FOR WOOD DOORS

For Sliding Panels up to 176 lbs.



NOTE: Alternate route dimension when using optional EPD3BL

### Configurations:

- Single

### Installations:

- Side Wall Mount (only)

### Features:

- Made of 304 stainless steel
- Soft Close
- Nylon coated stainless steel wheel for smooth operation
- 176 lb. panel capacity
- 5 year warranty
- Meets ADA push force requirements

### Finishes:

- Brushed Stainless Steel

### SFT-W60 Kits Include:

- 1 ea **SC-BAR/\_** Stainless Steel Track with Two Soft Close Devices
- **BRACKET2** Stainless Steel Wall Brackets
- 2 ea **SC-62** Stainless Steel Hangers
- 1 ea **102SS-KIT** Stainless Steel Guide
- 2 ea **STOP3** Stainless Steel Stops Mounting Hardware
- 2 ea **SC-TRG** Soft Close Activators

### Standard Kit Sizes

PART NUMBER	MATERIAL	TRACK LENGTH	DOOR WIDTH
SFT-W60/6	304 Stainless Steel	78 <sup>3</sup> / <sub>4</sub> "	36"
SFT-W60/8	304 Stainless Steel	98 <sup>7</sup> / <sub>16</sub> "	48"

### Options:

- Hardware Pack (One Door)
- Mortise Guides
- Polypropylene Guide Rail
- 5/8" Spacer

### SC-W60H/PACK

### 102N

### EPD3BL For Use With 102N and 102SS-KIT

**BLD-SPACER-58** Pack of 5 5/8" Spacer  
Recommended for use with 5/8" Gypsum Board  
When Mounting Track Directly to Gypsum Board

800-824-3018 | www.pemko.com

Check the web site for the up-to-date catalog

Copyright © 2015-2025, ASSA ABLOY Accessories and Door Controls Group, Inc., an ASSA ABLOY Group company. All rights reserved.  
Reproduction in whole or in part without the express written permission of ASSA ABLOY Accessories and Door Controls Group, Inc. is prohibited.

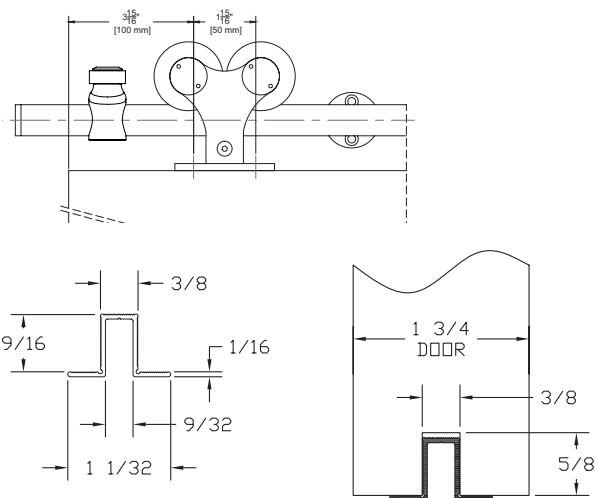
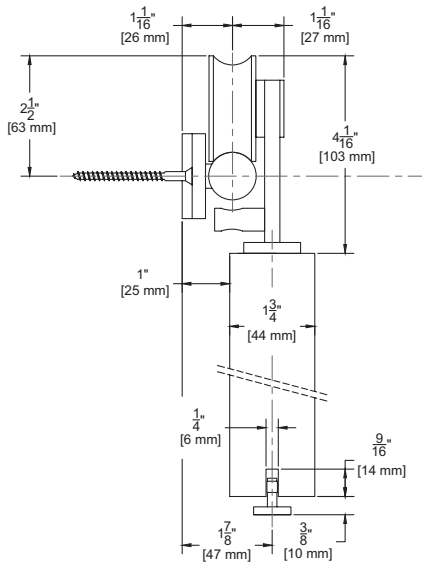
**PEMKO**  
**ASSA ABLOY**

Experience a safer  
and more open world

# STAINLESS STEEL SLIDING TRACK HARDWARE SYSTEM

## W70 SERIES FOR WOOD DOORS

For Sliding Panels up to 240 lbs.



NOTE: Alternate route dimension when using optional EPD3BL



Experience a safer and more open world

### Configurations:

- Single
- Bi-parting

### Installations:

- Side Wall Mount (only)

### Features:

- Made of 304 stainless steel
- Nylon coated stainless steel wheel for smooth operation
- 240 lb. panel capacity
- 5 year warranty
- Meets ADA push force requirements

### Finishes:

- Brushed Stainless Steel (W70)
- Black Powder Coated Stainless Steel (W70D)
- Polished Stainless Steel (W70P)

### W70 Kits Include:

- 1 ea **BAR\_** Stainless Steel Track
- **BRACKET2** Stainless Steel Wall Brackets
- 2 ea **WD72** Stainless Steel Hangers
- 1 ea **102SS-KIT** Stainless Steel Guide
- 2 ea **STOP3** Stainless Steel Stops Mounting Hardware

NOTE: If ordering individual parts in the optional Black Powder Coat, Polished finishes be sure to include a prefix "D" for Black Powder Coat, or "P" for Polished Stainless

Standard Kit Sizes			
PART NUMBER	MATERIAL	TRACK LENGTH	DOOR WIDTH
W70/6	304 Stainless Steel	78 <sup>3</sup> / <sub>4</sub> "	36"
W70/8	304 Stainless Steel	98 <sup>7</sup> / <sub>16</sub> "	48"
W70D/6	Black Powder Coated Stainless Steel	78 <sup>3</sup> / <sub>4</sub> "	36"
W70D/8	Black Powder Coated Stainless Steel	98 <sup>7</sup> / <sub>16</sub> "	48"
W70P/6	304 Polished Stainless Steel	78 <sup>3</sup> / <sub>4</sub> "	36"
W70P/8	304 Polished Stainless Steel	98 <sup>7</sup> / <sub>16</sub> "	48"

Custom lengths are available. Please contact the factory to order.

### Options:

- Hardware Pack (One Door)
- Alternate Stop
- Mortise Guides
- Polypropylene Guide Rail
- 5/8" Spacer

### W70\_H/PACK

#### STOP1

#### 102N

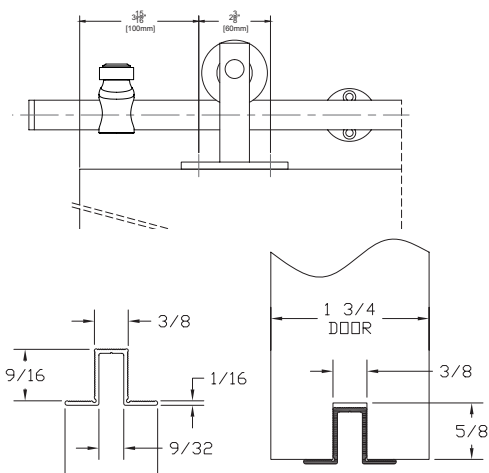
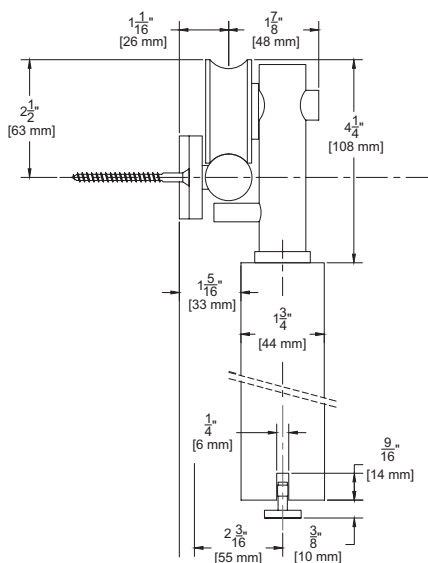
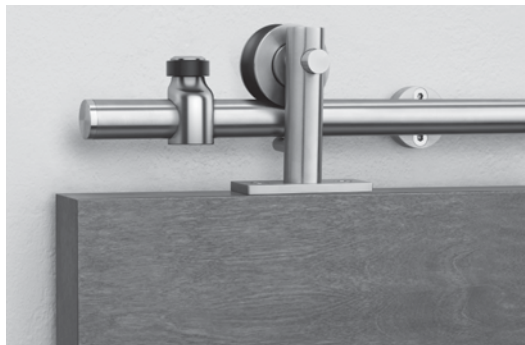
#### EPD3BL For Use With 102N

**BLD-SPACER-58** Pack of 5 5/8" Spacer  
Recommended for use with 5/8" Gypsum Board  
When Mounting Track Directly to Gypsum Board

# STAINLESS STEEL SLIDING TRACK HARDWARE SYSTEM

## W80 SERIES FOR WOOD DOORS

For Sliding Panels up to 176 lbs.



NOTE: Alternate route dimension when using optional EPD3BL

### Configurations:

- Single
- Bi-parting

### Installations:

- Side Wall Mount (only)

### Features:

- Made of 304 stainless steel
- Nylon coated stainless steel wheel for smooth operation
- 176 lb. panel capacity
- 5 year warranty
- Meets ADA push force requirements

### Finishes:

- Brushed Stainless Steel (W80)
- Black Powder Coated Stainless Steel (W80D)
- Polished Stainless Steel (W80P)

### W80 Kits Include:

- 1 ea **BAR/** Stainless Steel Track
- **BRACKET2** Stainless Steel Wall Brackets
- 2 ea **WD82** Stainless Steel Hangers
- 1 ea **102SS-KIT** Stainless Steel Guide
- 2 ea **STOP3** Stainless Steel Stops Mounting Hardware

NOTE: If ordering individual parts in the optional Black Powder Coat, Polished finishes be sure to include a prefix "D" for Black Powder Coat, or "P" for Polished Stainless

Standard Kit Sizes			
PART NUMBER	MATERIAL	TRACK LENGTH	DOOR WIDTH
W80/6	304 Stainless Steel	78 <sup>3</sup> / <sub>4</sub> "	36"
W80/8	304 Stainless Steel	98 <sup>7</sup> / <sub>16</sub> "	48"
W80D/6	Black Powder Coated Stainless Steel	78 <sup>3</sup> / <sub>4</sub> "	36"
W80D/8	Black Powder Coated Stainless Steel	98 <sup>7</sup> / <sub>16</sub> "	48"
W80P/6	304 Polished Stainless Steel	78 <sup>3</sup> / <sub>4</sub> "	36"
W80P/8	304 Polished Stainless Steel	98 <sup>7</sup> / <sub>16</sub> "	48"

Custom lengths are available. Please contact the factory to order.

### Options:

- Hardware Pack (One Door)
- Mortise Guides
- Polypropylene Guide Rail
- 5/8" Spacer

### W80\_H/PACK

#### 102N

**EPD3BL** For Use With 102N

**BLD-SPACER-58** Pack of 5 5/8" Spacer Recommended for use with 5/8" Gypsum Board When Mounting Track Directly to Gypsum Board

800-824-3018 | www.pemko.com

Check the web site for the up-to-date catalog

Copyright © 2015-2025, ASSA ABLOY Accessories and Door Controls Group, Inc., an ASSA ABLOY Group company. All rights reserved. Reproduction in whole or in part without the express written permission of ASSA ABLOY Accessories and Door Controls Group, Inc. is prohibited.

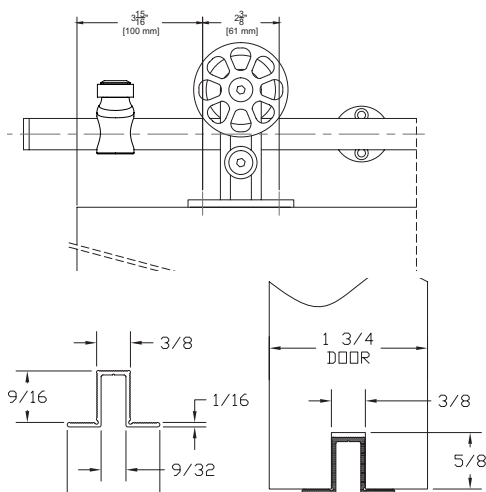
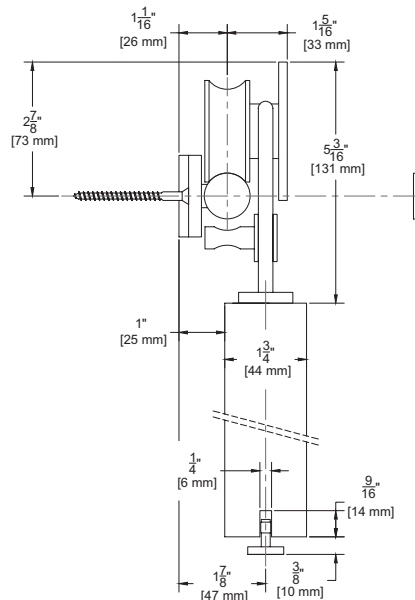
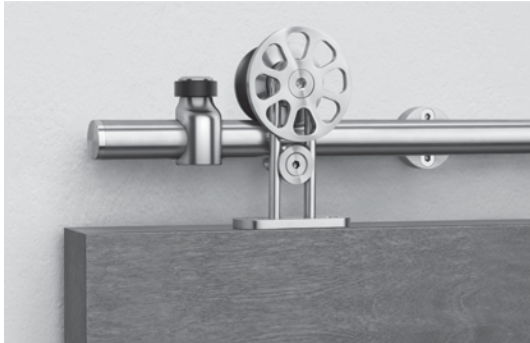
**PEMKO**  
**ASSA ABLOY**

Experience a safer  
and more open world

# STAINLESS STEEL SLIDING TRACK HARDWARE SYSTEM

## W90 SERIES FOR WOOD DOORS

For Sliding Panels up to 176 lbs.



NOTE: Alternate route dimension when using optional EPD3BL



Experience a safer and more open world

### Configurations:

- Single
- Bi-parting

### Features:

- Made of 304 stainless steel
- Nylon coated stainless steel wheel for smooth operation
- 176 lb. panel capacity
- 5 year warranty
- Meets ADA push force requirements

### Finishes:

- Brushed Stainless Steel (W90)
- Black Powder Coated Stainless Steel (W90D)

### Installations:

- Side Wall Mount (only)

### W90 Kits Include:

- 1 ea **BAR/\_** Stainless Steel Track
- **BRACKET2** Stainless Steel Wall Brackets
- 2 ea **WD92** Stainless Steel Hangers
- 1 ea **102SS-KIT** Stainless Steel Guide
- 2 ea **STOP3** Stainless Steel Stops Mounting Hardware

NOTE: If ordering individual parts in the optional Black Powder Coat, be sure to include a prefix "D" for Black Powder Coat

Standard Kit Sizes			
PART NUMBER	MATERIAL	TRACK LENGTH	DOOR WIDTH
W90/6	304 Stainless Steel	78 <sup>3</sup> / <sub>4</sub> "	36"
W90/8	304 Stainless Steel	98 <sup>7</sup> / <sub>16</sub> "	48"
W90D/6	Black Powder Coated Stainless Steel	78 <sup>3</sup> / <sub>4</sub> "	36"
W90D/8	Black Powder Coated Stainless Steel	98 <sup>7</sup> / <sub>16</sub> "	48"

Custom lengths are available. Please contact the factory to order.

### Options:

- Hardware Pack (One Door) **W90\_H/PACK**
- Mortise Guides **102N**
- Polypropylene Guide Rail **EPD3BL** For Use With 102N
- 5/8" Spacer **BLD-SPACER-58** Pack of 5 5/8" Spacer Recommended for use with 5/8" Gypsum Board When Mounting Track Directly to Gypsum Board

800-824-3018 | www.pemko.com

Check the web site for the up-to-date catalog

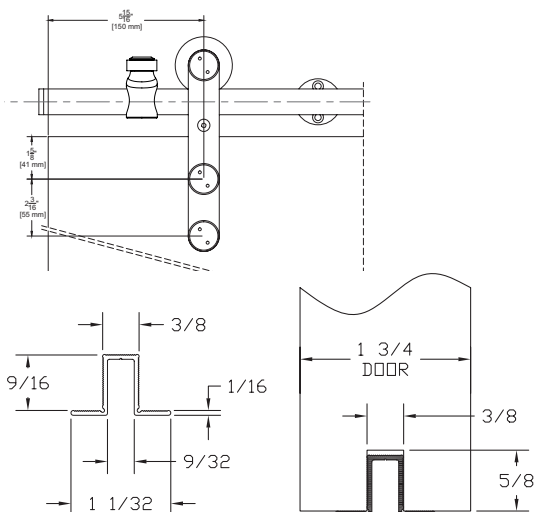
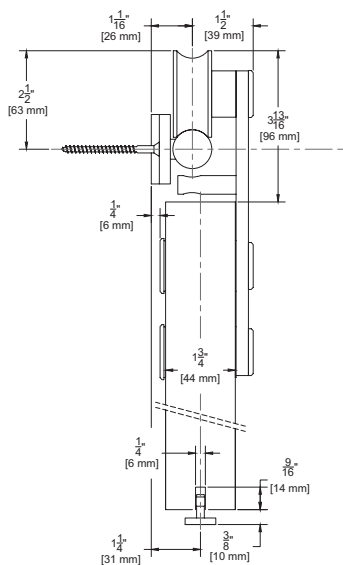
Copyright © 2015-2025, ASSA ABLOY Accessories and Door Controls Group, Inc., an ASSA ABLOY Group company. All rights reserved. Reproduction in whole or in part without the express written permission of ASSA ABLOY Accessories and Door Controls Group, Inc. is prohibited.



# STAINLESS STEEL SLIDING TRACK HARDWARE SYSTEM

## W100 SERIES FOR WOOD DOORS

For Sliding Panels up to 198 lbs.



NOTE: Alternate route dimension when using optional EPD3BL

### Configurations:

- Single
- Bi-parting

### Installations:

- Side Wall Mount (only)

### Features:

- Made of 304 stainless steel
- Nylon coated stainless steel wheel for smooth operation
- 198 lb. panel capacity
- 5 year warranty
- Meets ADA push force requirements

### Finishes:

- Brushed Stainless Steel (W100)
- Black Powder Coated Stainless Steel (W100D)
- Polished Stainless Steel (W100P)

### W100 Kits Include:

- 1 ea **BAR/** Stainless Steel Track
- **BRACKET2** Stainless Steel Wall Brackets
- 2 ea **WD111** Stainless Steel Hangers
- 1 ea **102SS-KIT** Stainless Steel Guide
- 2 ea **STOP3** Stainless Steel Stops Mounting Hardware

NOTE: If ordering individual parts in the optional Black Powder Coat, Polished finishes be sure to include a prefix "D" for Black Powder Coat, or "P" for Polished Stainless

Standard Kit Sizes			
PART NUMBER	MATERIAL	TRACK LENGTH	DOOR WIDTH
W100/6	304 Stainless Steel	78 <sup>3</sup> / <sub>4</sub> "	36"
W100/8	304 Stainless Steel	98 <sup>7</sup> / <sub>16</sub> "	48"
W100D/6	Black Powder Coated Stainless Steel	78 <sup>3</sup> / <sub>4</sub> "	36"
W100D/8	Black Powder Coated Stainless Steel	98 <sup>7</sup> / <sub>16</sub> "	48"
W100P/6	304 Polished Stainless Steel	78 <sup>3</sup> / <sub>4</sub> "	36"
W100P/8	304 Polished Stainless Steel	98 <sup>7</sup> / <sub>16</sub> "	48"

Custom lengths are available. Please contact the factory to order.

### Options:

- Hardware Pack (One Door)
- Mortise Guides
- Polypropylene Guide Rail
- 5/8" Spacer

### W100\_H/PACK

### 102N

### EPD3BL For Use With 102N

**BLD-SPACER-58** Pack of 5 5/8" Spacer Recommended for use with 5/8" Gypsum Board When Mounting Track Directly to Gypsum Board

800-824-3018 | www.pemko.com

Check the web site for the up-to-date catalog

Copyright © 2015-2025, ASSA ABLOY Accessories and Door Controls Group, Inc., an ASSA ABLOY Group company. All rights reserved. Reproduction in whole or in part without the express written permission of ASSA ABLOY Accessories and Door Controls Group, Inc. is prohibited.

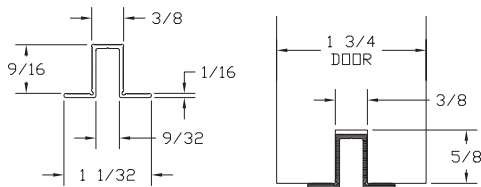
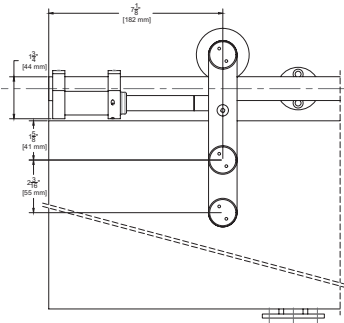
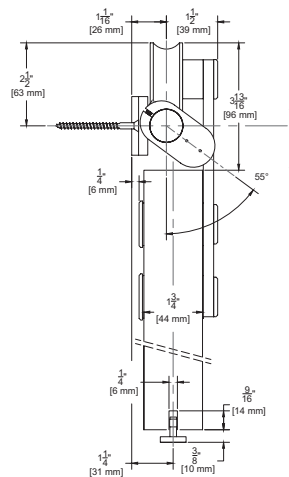
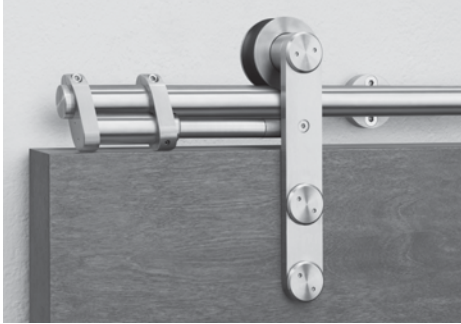
**PEMKO**  
**ASSA ABLOY**

Experience a safer  
and more open world

# STAINLESS STEEL SLIDING TRACK HARDWARE SYSTEM WITH CUSHION STOP

## CS-W100 SERIES FOR WOOD DOORS

For Sliding Panels up to 198 lbs.



NOTE: Alternate route dimension when using optional EPD3BL

### Configurations:

- Single

### Installations:

- Side Wall Mount (only)

### Features:

- Made of 304 stainless steel
- Prevents door racking and bounce back
- Extends life of upper hardware
- Nylon coated stainless steel wheel for smooth operation
- 198 lb. panel capacity
- 5 year warranty
- Meets ADA push force requirements

### Finishes:

- Brushed Stainless Steel
- Black Powder Coated Stainless Steel

### CS-W100 Kits Include:

- 1 ea **BAR/\_** Stainless Steel Track
- **BRACKET2** Stainless Steel Wall Brackets
- 2 ea **WD111** Stainless Steel Hangers
- 1 ea **102SS-KIT** Stainless Steel Guide
- 1 pr **CS-003SS** Stainless Steel Cushion Stops

NOTE: If ordering individual parts in the optional Dark Bronze or Polished finishes, be sure to include a suffix "D" for Dark Bronze or "P" for Polished Stainless

Standard Kit Sizes			
PART NUMBER	MATERIAL	TRACK LENGTH	DOOR WIDTH
CS- W100/6	304 Stainless Steel	78 <sup>3</sup> / <sub>4</sub> "	36"
CS- W100/8	304 Stainless Steel	98 <sup>7</sup> / <sub>16</sub> "	48"
CS- W100D/6	Black Powder Coated Stainless Steel	78 <sup>3</sup> / <sub>4</sub> "	36"
CS- W100D/8	Black Powder Coated Stainless Steel	98 <sup>7</sup> / <sub>16</sub> "	48"

Custom lengths are available. Please contact the factory to order.

### Options:

Mortise Guides

Polypropylene Guide Rail

Cushion Stops

5/8" Spacer

### 102N

**EPD3BL For Use With 102SS-KIT**

**CS-003SS** (sold as pair) For use with existing openings that have W100 hardware installed

**BLD-SPACER-58** Pack of 5 5/8" Spacer Recommended for use with 5/8" Gypsum Board When Mounting Track Directly to Gypsum Board



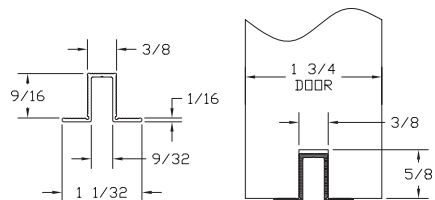
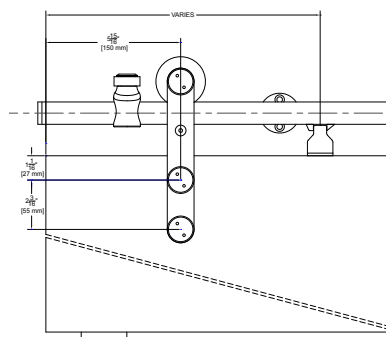
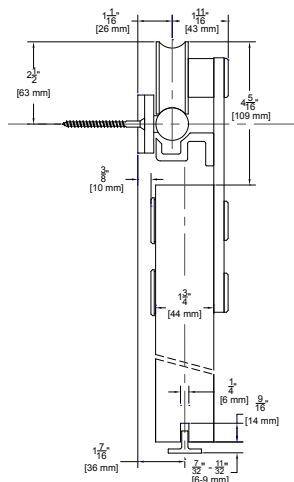
Experience a safer and more open world

800-824-3018 | www.pemko.com  
Check the web site for the up-to-date catalog

Copyright © 2015-2025, ASSA ABLOY Accessories and Door Controls Group, Inc., an ASSA ABLOY Group company. All rights reserved. Reproduction in whole or in part without the express written permission of ASSA ABLOY Accessories and Door Controls Group, Inc. is prohibited.

# SOFT CLOSE STAINLESS STEEL SLIDING TRACK HARDWARE SYSTEM SFT-W100 SERIES FOR WOOD DOORS

For Sliding Panels up to 198 lbs.



NOTE: Alternate route dimension when using optional EPD3BL

### Configurations:

- Single

### Installations:

- Side Wall Mount (only)

### Features:

- Made of 304 stainless steel
- Soft Close
- Nylon coated stainless steel wheel for smooth operation
- 198 lb. panel capacity
- 5 year warranty
- Meets ADA push force requirements

### Finishes:

- Brushed Stainless Steel

### SFT-W100 Kits Include:

- 1 ea **SC-BAR/** Stainless Steel Track with Two Soft Close Devices
- **BRACKET2** Stainless Steel Wall Brackets
- 2 ea **SC-111** Stainless Steel Hangers
- 1 ea **102SS-KIT** Stainless Steel Guide
- 2 ea **STOP3** Stainless Steel Stops Mounting Hardware
- 2 ea **SC-TRG** Soft Close Activators

Standard Kit Sizes			
PART NUMBER	MATERIAL	TRACK LENGTH	DOOR WIDTH
SFT-W100/6	304 Stainless Steel	78 <sup>3</sup> / <sub>4</sub> "	36"
SFT-W100/8	304 Stainless Steel	98 <sup>7</sup> / <sub>16</sub> "	48"

### Options:

Hardware Pack (One Door) **SC-W100H/PACK**

Mortise Guides **102N**

Polypropylene Guide Rail **EPD3BL** For Use With 102N and 102SS-KIT

5/8" Spacer

**BLD-SPACER-58** Pack of 5 5/8" Spacer  
Recommended for use with 5/8" Gypsum Board  
When Mounting Track Directly to Gypsum Board

800-824-3018 | www.pemko.com

Check the web site for the up-to-date catalog

Copyright © 2015-2025, ASSA ABLOY Accessories and Door Controls Group, Inc., an ASSA ABLOY Group company. All rights reserved. Reproduction in whole or in part without the express written permission of ASSA ABLOY Accessories and Door Controls Group, Inc. is prohibited.

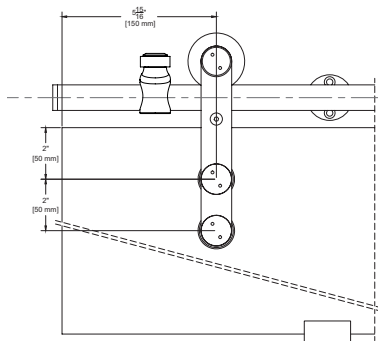
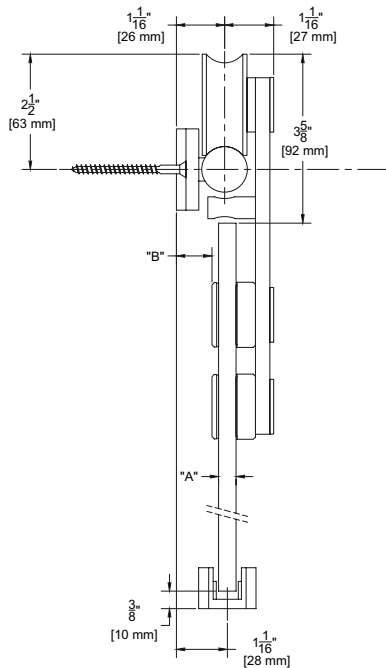
**PEMKO**  
**ASSA ABLOY**

Experience a safer  
and more open world

# STAINLESS STEEL SLIDING TRACK HARDWARE SYSTEM

## G60 SERIES FOR GLASS DOORS

For Sliding Panels up to 198 lbs.



Glass Thickness "A"	Distance from Wall "B"
3/8"	3/4"
1/2"	5/8"

### Configurations:

- Single
- Bi-parting

### Installations:

- Side Wall Mount (only)

### Features:

- Made of 304 stainless steel
- Nylon coated stainless steel wheel for smooth operation
- 198 lb. panel capacity
- 5 year warranty
- Meets ADA push force requirements

### Finishes:

- Brushed Stainless Steel (G60)
- Black Powder Coated Stainless Steel (G60D)

### G60 Kits Include:

- 1 ea **BAR/** Stainless Steel Track
- **BRACKET2** Stainless Steel Wall Brackets
- 2 ea **12** Stainless Steel Hangers
- 1 ea **GLASSGUIDE** Stainless Steel Guide
- 2 ea **STOP3** Stainless Steel Stops Mounting Hardware

NOTE: If ordering individual parts in the optional Black Powder Coat, be sure to include a suffix "D" for Black Powder Coat

Standard Kit Sizes			
PART NUMBER	MATERIAL	TRACK LENGTH	DOOR WIDTH
G60/6	304 Stainless Steel	78 <sup>3</sup> / <sub>4</sub> "	36"
G60/8	304 Stainless Steel	98 <sup>7</sup> / <sub>16</sub> "	48"
G60D/6	Black Powder Coated Stainless Steel	78 <sup>3</sup> / <sub>4</sub> "	36"
G60D/8	Black Powder Coated Stainless Steel	98 <sup>7</sup> / <sub>16</sub> "	48"

Custom lengths are available. Please contact the factory to order.

### Options:

Hardware Pack (One Door) **G60\_H/PACK**

5/8" Spacer

**BLD-SPACER-58** Pack of 5 5/8" Spacer  
Recommended for use with 5/8" Gypsum Board  
When Mounting Track Directly to Gypsum Board



Experience a safer and more open world

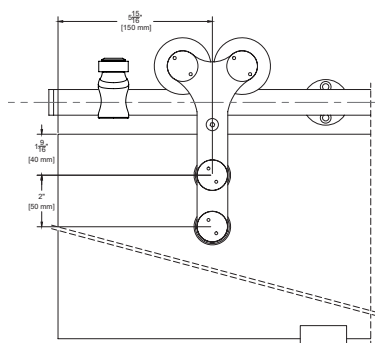
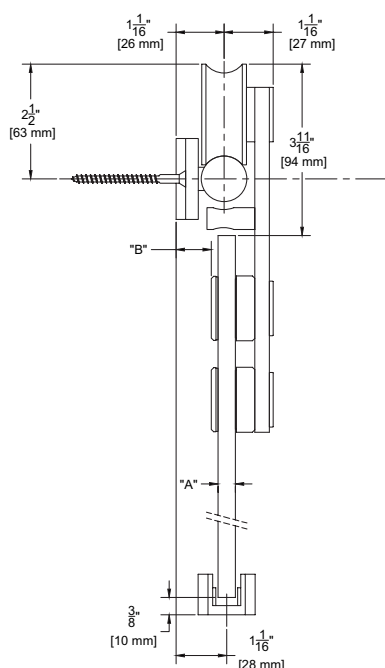
800-824-3018 | www.pemko.com  
Check the web site for the up-to-date catalog

Copyright © 2015-2025, ASSA ABLOY Accessories and Door Controls Group, Inc., an ASSA ABLOY Group company. All rights reserved. Reproduction in whole or in part without the express written permission of ASSA ABLOY Accessories and Door Controls Group, Inc. is prohibited.

# STAINLESS STEEL SLIDING TRACK HARDWARE SYSTEM

## G70 SERIES FOR GLASS DOORS

For Sliding Panels up to 240 lbs.



Glass Thickness "A"	Distance from Wall "B"
3/8"	3/4"
1/2"	5/8"

### Configurations:

- Single
- Bi-parting

### Installations:

- Side Wall Mount (only)

### Features:

- Made of 304 stainless steel
- Nylon coated stainless steel wheel for smooth operation
- 240 lb. panel capacity
- 5 year warranty
- Meets ADA push force requirements

### Finishes:

- Brushed Stainless Steel (G70)

### G70 Kits Include:

- 1 ea **BAR/\_** Stainless Steel Track
- **BRACKET2** Stainless Steel Wall Brackets
- 2 ea **32** Stainless Steel Hangers
- 1 ea **GLASSGUIDE** Stainless Steel Guide
- 2 ea **STOP3** Stainless Steel Stops Mounting Hardware

Standard Kit Sizes			
PART NUMBER	MATERIAL	TRACK LENGTH	DOOR WIDTH
G70/6	304 Stainless Steel	78 <sup>3</sup> / <sub>4</sub> "	36"
G70/8	304 Stainless Steel	98 <sup>7</sup> / <sub>16</sub> "	48"

Custom lengths are available. Please contact the factory to order.

### Options:

Hardware Pack (One Door) **G70H/PACK**

Alternate Stop

5/8" Spacer

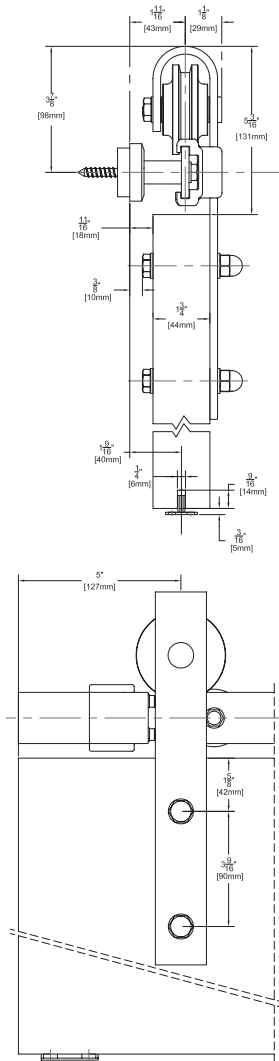
### STOP1

**BLD-SPACER-58** Pack of 5 5/8" Spacer Recommended for use with 5/8" Gypsum Board When Mounting Track Directly to Gypsum Board

# BUILDERS SERIES FLAT TRACK SLIDING DOOR HARDWARE SYSTEM

## BLD-FT-01 FOR WOOD DOORS

For Sliding Panels up to 240 lbs.



### Configurations:

- Single
- Bi-parting

### Installations:

- Side Wall Mount (only)

### Features:

- Solid nylon wheel for smooth operation
- 240 lb. panel capacity
- Optional Soft Close
- 5 year warranty
- Meets ADA push force requirements

### Finishes:

- Black Suede Powder Coated Steel (BLD-FT-01BSP)
- Industrial Steel Zinc Coated Steel (BLD-FT-01IS)

### BLD-FT-01 Kits Include:

- 1 ea **BLD-FT-/\_** Steel Flat Track
- 5 ea **BLD-99-/\_** Steel Track Brackets
- 5 ea **BLD-88-/\_** Steel Track Fasteners
- 2 ea **BLD-01-/\_** Steel Strap Mount Hangers
- 2 ea **BLD-77** Anti-Rise Discs
- 1 ea **102N** Mortised Type Nylon Guide
- 2 ea **BLD-11-/\_** Steel Track Stops Mounting Hardware

### Standard Kit Sizes

PART NUMBER	MATERIAL	TRACK LENGTH	DOOR WIDTH
BLD-FT-01IS/6	Industrial Steel	72"	36"
BLD-FT-01IS/8	Industrial Steel	96"	48"
BLD-FT-01BSP/6	Black Suede Powder Coated Steel	72"	36"
BLD-FT-01BSP/8	Black Suede Powder Coated Steel	96"	48"

Custom lengths are available. Please contact the factory to order. Industrial Steel maximum track length is 8'. Lengths over 8' will be spliced by factory.

### Options:

- Thru-bolts for 1 3/8" thick doors 4 per door
- Hardware Pack (One Door)
- Side Wall Mortised Type Guide
- Polypropylene Guide Rail
- 5/8" Spacer

### BLD-97-\_\_

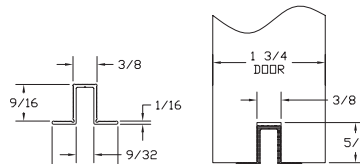
### BLD-FT01-\_\_ /PACK

### 102WN-KIT

### EPD3BL For Use With 102N

**BLD-SPACER-58** Pack of 5 5/8" Spacer Recommended for use with 5/8" Gypsum Board When Mounting Track Directly to Gypsum Board

Soft Close available. See pages 256-258 for more information.



NOTE: Alternate route dimension when using optional EPD3BL



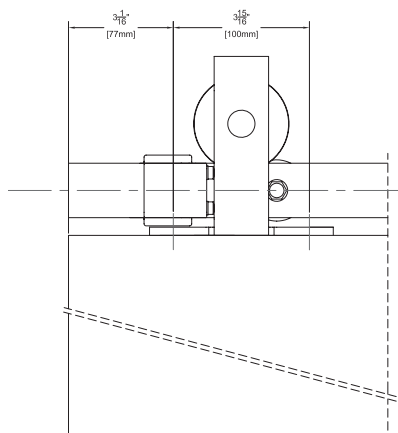
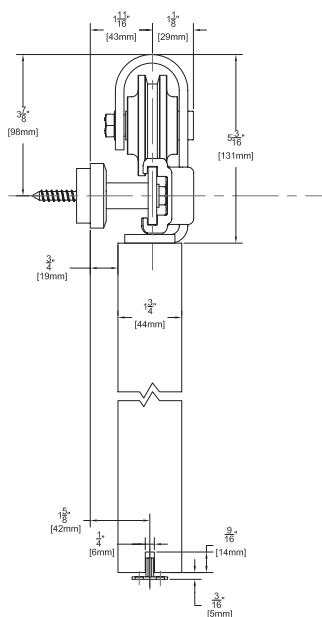
Experience a safer and more open world

800-824-3018 | www.pemko.com  
Check the web site for the up-to-date catalog

# BUILDERS SERIES FLAT TRACK SLIDING DOOR HARDWARE SYSTEM

## BLD-FT-02 FOR WOOD DOORS

For Sliding Panels up to 240 lbs.



### Configurations:

- Single
- Bi-parting

### Installations:

- Side Wall Mount (only)

### Features:

- Solid nylon wheel for smooth operation
- 240 lb. panel capacity
- Optional Soft Close
- 5 year warranty
- Meets ADA push force requirements

### Finishes:

- Black Suede Powder Coated Steel (BLD-FT-02BSP)
- Industrial Steel Zinc Coated Steel (BLD-FT-02IS)

### BLD-FT-02 Kits Include:

- 1 ea **BLD-FT-/\_** Steel Flat Track
- 5 ea **BLD-99** Steel Track Brackets
- 5 ea **BLD-88** Steel Track Fasteners
- 2 ea **BLD-02-** Steel Top Mount Hangers
- 2 ea **BLD-77** Anti-Rise Discs
- 1 ea **102N** Mortised Type Nylon Guide
- 2 ea **BLD-11-** Steel Track Stops Mounting Hardware

### Standard Kit Sizes

PART NUMBER	MATERIAL	TRACK LENGTH	DOOR WIDTH
BLD-FT-02IS/6	Industrial Steel	72"	36"
BLD-FT-02IS/8	Industrial Steel	96"	48"
BLD-FT-02BSP/6	Black Suede Powder Coated Steel	72"	36"
BLD-FT-02BSP/8	Black Suede Powder Coated Steel	96"	48"

Custom lengths are available. Please contact the factory to order. Industrial Steel maximum track length is 8'. Lengths over 8' will be spliced by factory.

**Options:** See page 278

Hardware Pack (One Door)

**BLD-FT02-\_/PACK**

Side Wall Mortised Type Guide

**102WN-KIT**

Polypropylene Guide Rail

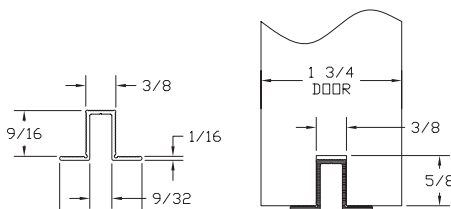
**EPD3BL** For Use With 102N

5/8" Spacer

**BLD-SPACER-58** Pack of 5 5/8" Spacer

Recommended for use with 5/8" Gypsum Board When Mounting Track Directly to Gypsum Board

Soft Close available. See pages 256-258 for more information.



NOTE: Alternate route dimension when using optional EPD3BL

800-824-3018 | www.pemko.com

Check the web site for the up-to-date catalog

Copyright © 2015-2025, ASSA ABLOY Accessories and Door Controls Group, Inc., an ASSA ABLOY Group company. All rights reserved. Reproduction in whole or in part without the express written permission of ASSA ABLOY Accessories and Door Controls Group, Inc. is prohibited.

**PEMKO**  
**ASSA ABLOY**

Experience a safer  
and more open world

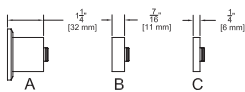
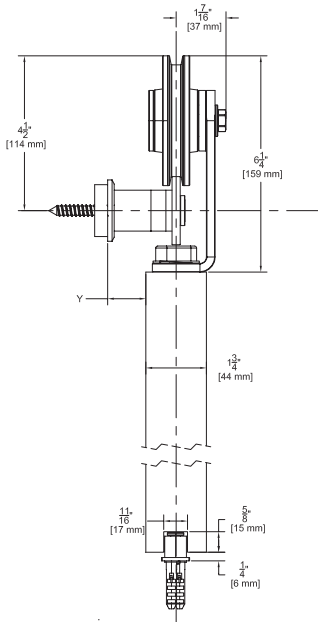
# DESIGNER SERIES FLAT TRACK SLIDING DOOR HARDWARE SYSTEM

## DSG-FT-05 FOR WOOD DOORS

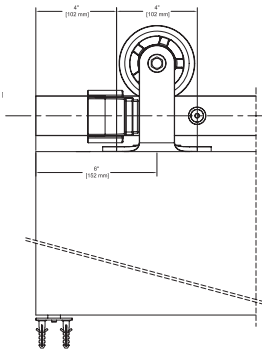
For Sliding Panels up to 500 lbs.



Shown in Industrial Steel finish



Wall Bracket Combination				
	A	A+C	A+B	A+B+C
"Y"	1/2"	3/4"	1"	1-1/4"



Experience a safer and more open world

### Configurations:

- Single
- Bi-parting

### Installations:

- Side Wall Mount (only)

### Features:

- Solid steel wheel with a polymer resin contact surface for smooth operation
- 500 lb. panel capacity
- 5 year warranty

### Finishes:

- Black Suede Powder Coated Steel (DSG-FT-05BSP)
- Industrial Steel Zinc Coated Steel (DSG-FT-05IS)
- Stainless Steel (DSG-FT-05SS)

### DSG-FT-05 Kits include:

- 1 ea **DSG-FT\_** Steel Flat Track
- 7 to 9 ea **DSG-100\_** Steel Track Brackets
- 7 to 9 ea **DSG-89\_** Steel Track Fasteners
- 2 ea **DSG-05\_** Steel Top Mount Hangers
- 2 ea **DSG-78** Anti-Rise Blocks
- 1 ea **DSG-106** Mortised Type Roller Guide
- 2 ea **DSG-12\_** Steel Track Stops Mounting Hardware

Standard Kit Sizes			
PART NUMBER	MATERIAL	TRACK LENGTH	DOOR WIDTH
DSG-FT-05IS/6	Industrial Steel	72"	36"
DSG-FT-05IS/8	Industrial Steel	96"	48"
DSG-FT-05BSP/6	Black Suede Powder Coated Steel	72"	36"
DSG-FT-05BSP/8	Black Suede Powder Coated Steel	96"	48"
DSG-FT-05SS/6	Stainless Steel	72"	36"
DSG-FT-05SS/8	Stainless Steel	96"	48"

Custom lengths are available. Please contact the factory to order. Industrial Steel maximum track length is 8'. Lengths over 8' will be spliced by factory.

### Options:

- Hardware Pack (One Door)
- Side Wall Mortised Type Guide
- 5/8" Spacer

**DSG-FT05-\_/PACK**

**102WN-KIT**

**BLD-SPACER-58** Pack of 5 5/8" Spacer Recommended for use with 5/8" Gypsum Board When Mounting Track Directly to Gypsum Board

Soft Close available. See pages 256-258 for more information.



# DESIGNER SERIES FLAT TRACK SLIDING DOOR HARDWARE SYSTEM

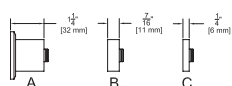
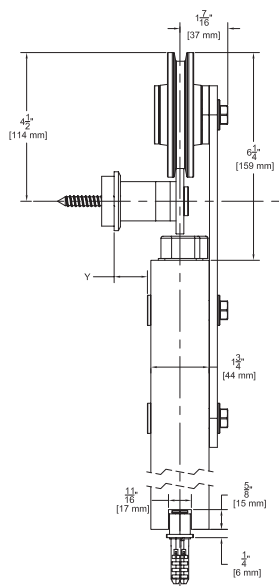
## DSG-FT-06 FOR WOOD DOORS

### For Sliding Panels up to 500 lbs.

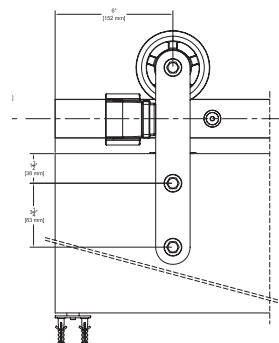
Only for doors 1 1/2" to 2 1/4" thick.



Shown in Stainless Steel with a solid wheel. DSG-FT-06 in all other finishes have spoked wheels.



Wall Bracket Combination				
	A	A+C	A+B	A+B+C
"Y"	7/16"	11/16"	7/8"	1-1/8"



### Configurations:

- Single
- Bi-parting

### Installations:

- Side Wall Mount (only)

### Features:

- Solid steel wheel with a polymer resin contact surface for smooth operation
- 500 lb. panel capacity
- 5 year warranty

### Finishes:

- Black Black Suede Powder Coated Steel (DSG-FT-06BSP)
- Industrial Steel Zinc Coated Steel (DSG-FT-06IS)
- Stainless Steel (DSG-FT-06SS)

### DSG-FT-06 Kits include:

- 1 ea **DSG-FT-/\_** Steel Flat Track
- 7 to 9 ea **DSG-100-/\_** Steel Track Brackets
- 7 to 9 ea **DSG-89-/\_** Steel Track Fasteners
- 2 ea **DSG-06-/\_** Steel Top Mount Hangers
- 2 ea **DSG-78** Anti-Rise Blocks
- 1 ea **DSG-106** Mortised Type Roller Guide
- 2 ea **DSG-12-/\_** Steel Track Stops Mounting Hardware

Standard Kit Sizes			
PART NUMBER	MATERIAL	TRACK LENGTH	DOOR WIDTH
DSG-FT-06IS/6	Industrial Steel	72"	36"
DSG-FT-06IS/8	Industrial Steel	96"	48"
DSG-FT-06BSP/6	Black Suede Powder Coated Steel	72"	36"
DSG-FT-06BSP/8	Black Suede Powder Coated Steel	96"	48"
DSG-FT-06SS/6	Stainless Steel	72"	36"
DSG-FT-06SS/8	Stainless Steel	96"	48"

Custom lengths are available. Please contact the factory to order. Industrial Steel maximum track length is 8'. Lengths over 8' will be spliced by factory.

### Options:

- Hardware Pack (One Door)
- Side Wall Mortised Type Guide
- 5/8" Spacer

### DSG-FT06-\_/PACK

#### 102WN-KIT

**BLD-SPACER-58** Pack of 5 5/8" Spacer Recommended for use with 5/8" Gypsum Board When Mounting Track Directly to Gypsum Board

Soft Close available. See pages 256-258 for more information.

800-824-3018 | www.pemko.com

Check the web site for the up-to-date catalog

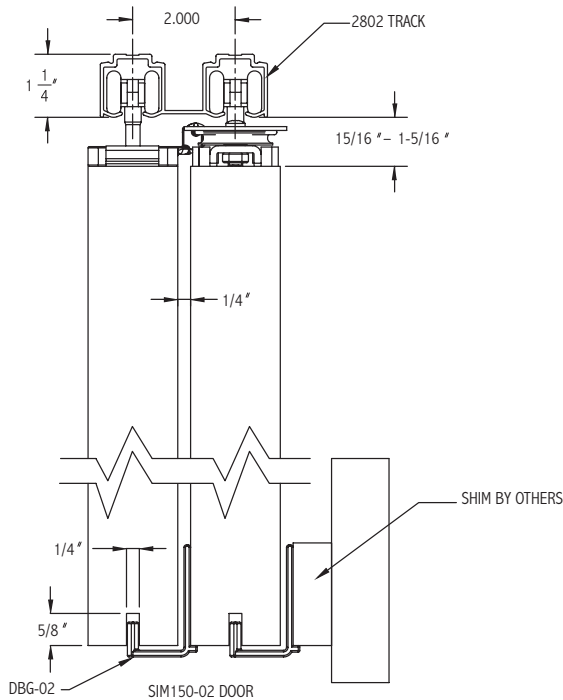
Copyright © 2015-2025, ASSA ABLOY Accessories and Door Controls Group, Inc., an ASSA ABLOY Group company. All rights reserved. Reproduction in whole or in part without the express written permission of ASSA ABLOY Accessories and Door Controls Group, Inc. is prohibited.

**PEMKO**  
**ASSA ABLOY**

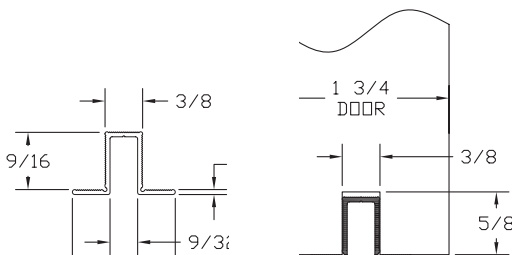
Experience a safer  
and more open world

# SIMULTANEOUS ACTING SLIDING DOOR SYSTEM SIM 150 FOR 2 DOOR SYSTEMS

For Sliding Panels up to 176 lbs.



### Alternate Route for EPD3BL



Experience a safer  
and more open world

### Configurations:

- Bi-part Telescoping

### Installations:

- Overhead Mount

### Features:

- Easy to install with self aligning components
- Telescoping panels glide along the track
- Doors retract into storage pockets when not in use
- 5 year warranty

### Finishes:

- Clear (C)
- Dark Bronze (D)

### Pulley System Kit Includes:

- Pre-Assembled Pulley System
- In-Track Stops and Hangers
- Door Bottom Guides
- Floor Stops, Back Stop and End Plates
- Installation Fasteners

Single Extrusion Aluminum Track must be ordered separately.

Specify door width when ordering. Default door overlap is 3". Any other overlap must be specified (Min. overlap is 2").

Note: All doors must be of equal width.

Pulley System Kits	
PART NUMBER	DOOR WIDTH
SIM150-2-LH/25-32	25" - 32"
SIM150-2-LH/33-40	33" - 40"
SIM150-2-LH/41-48	41" - 48"
SIM150-2-RH/25-32	25" - 32"
SIM150-2-RH/33-40	33" - 40"
SIM150-2-RH/41-48	41" - 48"

System Track Ordered Separately		
TRACK	FINISH	TRACK LENGTH
2802C	Clear	up to 147"
2802D	Dark	up to 185"

### Options:

Lock Kit- includes lock with edge pull, and cup pull, **SIM150-LOCKKIT**

Bolt Kit- includes surface bolt, dust-proof strike, cup pull, and edge pull, **SIM150-BOLTKIT**

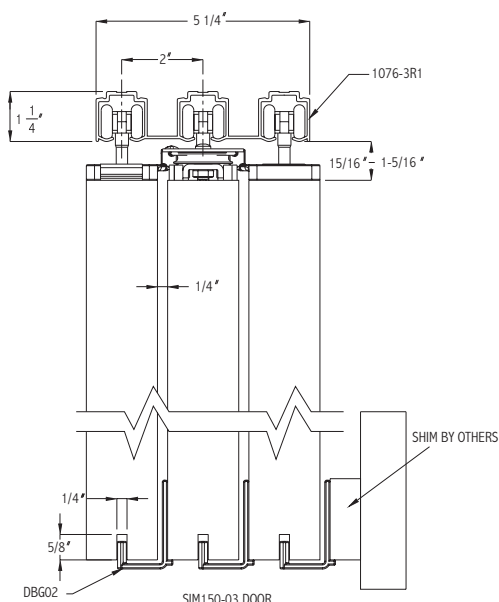
Snap-on Fascia Available **F134**

Polypropylene Guide Rail **EPD3BL**

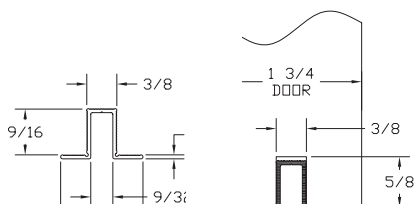
800-824-3018 | www.pemko.com  
Check the web site for the up-to-date catalog

# SIMULTANEOUS ACTING SLIDING DOOR SYSTEM SIM 150 FOR 3 DOOR SYSTEMS

For Sliding Panels up to 176 lbs.



## Alternate Route for EPD3BL



### Configurations:

- Bi-part Telescoping

### Installations:

- Overhead Mount

### Features:

- Easy to install with self aligning components
- Telescoping panels glide along the track
- Doors retract into storage pockets when not in use
- 5 year warranty

### Finishes:

- Clear (C)
- Dark Bronze (D)

## Pulley System Kit Includes:

- Pre-Assembled Pulley System
- In-Track Stops and Hangers
- Door Bottom Guides
- Floor Stops, Back Stop and End Plates
- Installation Fasteners

Single Extrusion Aluminum Track must be ordered separately.

Specify door width when ordering. Default door overlap is 3". Any other overlap must be specified (Min. overlap is 2").

Note: All doors must be of equal width.

### Pulley System Kits

PART NUMBER	DOOR WIDTH
SIM150-3-LH/25-32	25" - 32"
SIM150-3-LH/33-40	33" - 40"
SIM150-3-LH/41-48	41" - 48"
SIM150-3-RH/25-32	25" - 32"
SIM150-3-RH/33-40	33" - 40"
SIM150-3-RH/41-48	41" - 48"

### System Track Ordered Separately

TRACK	FINISH	TRACK LENGTH
2803C and 280C	Clear	up to 144"
2803D and 280D	Dark	up to 144"

### Options:

Lock Kit- includes lock with edge pull, and cup pull, **SIM150-LOCKKIT**

Bolt Kit- includes surface bolt, dust-proof strike, cup pull, and edge pull, **SIM150-BOLTKIT**

Snap-on Fascia Available **F134**

Polypropylene Guide Rail **EPD3BL**

800-824-3018 | www.pemko.com

Check the web site for the up-to-date catalog

Copyright © 2015-2025, ASSA ABLOY Accessories and Door Controls Group, Inc., an ASSA ABLOY Group company. All rights reserved. Reproduction in whole or in part without the express written permission of ASSA ABLOY Accessories and Door Controls Group, Inc. is prohibited.

**PEMKO**  
**ASSA ABLOY**

Experience a safer  
and more open world

# CASCADING SLIDING DOOR SYSTEM

For Sliding Panels up to 200 lbs. each.



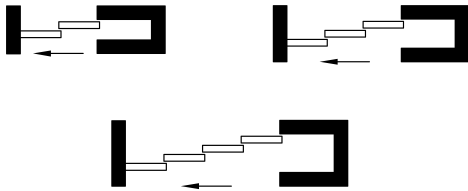
Note: All doors must be of equal width. Minimum overlap between doors is 2".

## Cased Opening

NOTE: Aluminum "T" Guide **102PB** Shown Under Options Must be Ordered Separately for Fixed Panel in Cased Opening Application



## Pocket



## Side Wall Mount

NOTE: Side Wall track Brackets Shown Under Options Must be Ordered Separately for Side Wall Mount Openings



## Configurations:

- Bi-part Telescoping
- Single Direction Telescoping

## Features:

- Opening and closing of lead door results in the trailing doors to follow because of interlocking hardware at door top edges
- Easy to install with self aligning components on 1 3/4" and 1 3/8" thick doors
- Telescoping panels glide along the track
- Solid steel catches with rubber bumpers ensure durable yet quiet operation
- 200 lb. per door weight capacity
- 5 year warranty

## Cascading Kit Includes:

**CAS-05** Catches - Mechanical Catch system - 2 Per Door

**601H** - Track Stops - 2 Per Door

**H222R1** - Hangers - 2 Per Door

**DBG-02R1** - Door Bottom Guides - 1 Per Door

**TELS-23** - End Plates - 2 Per Door

**2802C** - Single Extrusion - Dual Track

**280C** - Single Extrusion - Single Track

**C1076-TC** - Track Connector for CAS200A-4/\_ Kits

**EPD3-BL** - Polypropylene Guide Rails - 1 Per Door

**WRENCH14** - 1 Hanger Wrench Hardware Fasteners

Cascading System Kits			
PART NUMBER	TRACK LENGTH	# OF DOORS	INSTALLATION
CAS200A-2/6	6'	2	Pocket Side Wall
CAS200A-2/8	8'	2	
CAS200A-2/10	10'	2	
CAS200A-2/12	12'	2	Pocket Cased Opening Side Wall
CAS200A-3/8	8'	3	
CAS200A-3/10	10'	3	
CAS200A-3/12	12'	3	
CAS200A-3/16	16'	3	
CAS200A-4/8	8'	4	Pocket Cased Opening
CAS200A-4/10	10'	4	
CAS200A-4/12	12'	4	
CAS200A-4/16	16'	4	

For special number of doors and for dark bronze track, please contact Technical Support for more information

## Options:

Lock Kit	<b>SIM150-LOCKKIT</b> includes lock with edge pull and cup pull
Bolt Kit	<b>SIM150-BOLTKIT</b> includes surface bolt, dust-proof strike, cup pull, and edge pull
Fascia	<b>F134C</b> Snap-on Fascia
Splice Kit	<b>C1076-2SPLKIT</b> for use with Bi-Parting systems and 2802C Track <b>C1076-3SPLKIT</b> for use with Bi-Parting systems and 2803C Track
Back Stop	<b>TELS-25</b> for use with pocket systems when no access to in track stops in pocket
Aluminum "T" Guide	<b>102PB</b> for use with fixed panel in cased opening applications
Side Wall Track Bracket	<b>2812KIT</b> for use with 2802C Track (1 for every 12" of track) <b>2813KIT</b> for use with 2803C Track (1 for every 12" of track)
Side Wall Joining Bracket	<b>2813-5KIT</b> for use with Side Wall Bi-Parting systems and <b>2803C</b> Track

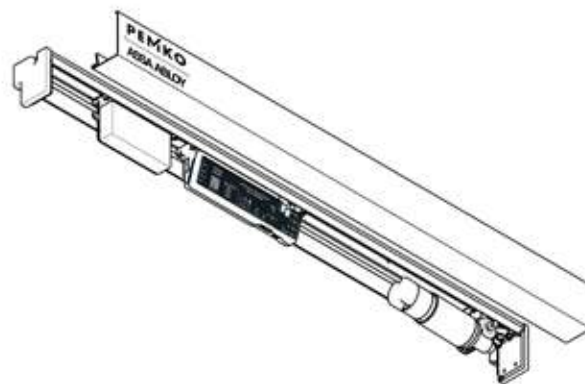


Experience a safer and more open world

800-824-3018 | [www.pemko.com](http://www.pemko.com)  
Check the web site for the up-to-date catalog

Copyright © 2015-2025, ASSA ABLOY Accessories and Door Controls Group, Inc., an ASSA ABLOY Group company. All rights reserved. Reproduction in whole or in part without the express written permission of ASSA ABLOY Accessories and Door Controls Group, Inc. is prohibited.

# PEMKOMATIC™ SLIDING DOOR OPERATOR



## Automates Sliding Doors

Our PemkoMatic™ low energy automatic door operating system offers versatile electromechanical solutions for manual sliding doors, featuring convenient multi-access options including a wave-to-open sensor, push button, or keypad. Designed to fit seamlessly with both pocket and sliding doors, it is ideal for new installations as well as retrofitting existing openings. The system features a sleek cover, combining functionality with a clean, aesthetically pleasing design.

### Installations:

- Overhead Mounted Sliding Systems
- Side Wall Mounted Sliding Systems

### Features:

- Sliding Door Types: Barn Door and Pocket Doors
- 36" L x 2.5" W x 3" H
- Mounts to header
- Optional adapter bracket available for non-header installations
- Recess into the wall for full-opening width access
- Cover and track can be cut to size
- 330 lb. per door weight capacity, supports door widths up to the maximum door weight capacity
- Easy-to-use controls
- New construction or retrofit
- Designed for smooth and silent door movement
- Two 20" tracks, additional tracks are needed for doors wider than 40"
- Field Reversible (Left-hand supplied)
- Customizable settings
  - Green/Auto Mode: Ideal for everyday use with open-assist enabled and the door unlocked
  - Blue/Hold Open Mode: Keeps the door fully open by default for convenience
  - Red/Lock Mode: Open-assist is disabled, the door is locked, and access is only available through a keypad or door activator

### Finishes:

- Black
- White
- Clear Anodized Aluminum

### Inside The Device:

- 2 ea End Caps
- 1 ea Base
- 1 ea Cover
- 1 ea Power Adaptor
- 1 ea Control Panel
- 2 ea Brush
- 1 ea Motor

### Features - Electrical, Certifications and Standards:

- Input for Power Adapter - 120V, 50/60HZ, 2.7A
- Adjustable 0-24 second open time
- Customizable DIP Switches
- Power level for lightweight or heavy doors, beeper alerts
- Reverts to a manual sliding door in the event of power failure
- Operator certified to ANSI/UL standard 325 for automatic closing doors
- Tested to ANSI BHMA A156.38
- Door activators have a 12 month battery life and power supplies of 3V – two CR2032 batteries
- Can be installed and adjusted to conform with ADA regulations
- Door activators comply with part 15 of FCC Rules

### PemkoMatic™ Kits Include:

- |                                   |  |
|-----------------------------------|--|
| 1 ea Sliding Operator             | 4 Motor Wheels in Different Lengths                      |
| 2 ea Slim Track (ST-PSLIDE)       | Fasteners and double-sided tapes for mounting activators |
| 1 ea Keypad (KP-PSLIDE)           | Cable retaining clips                                    |
| 1 ea Wave Sensors (WP-PSLIDE)     | Cable for hardwiring Wave Sensors and Mode Pad           |
| 1 ea Mode Pad (MP-PSLIDE)         | 'Wave to Open' Sticker                                   |
| 16 ea (#8 x 1") Wood Screws       | 'Automatic Door' Sticker                                 |
| 8 ea (#8 x 1") Sheet Metal Screws |  |
| 1 ea Hex Key, Screwdriver, Wrench |  |

Standard Kit Sizes		
PART NUMBER	DESCRIPTION	PRODUCT SIZE (L X W X H)
PSLIDE-BSP/36	Black Automatic System	5.5" x 1.5" x 0.5"
PSLIDE-WSP/36	White Automatic System	5" x 1.5" x 0.5"
PSLIDE-C/36	Clear Aluminum Automatic System	3.5" x 3" x 1.5"

### Options:

Wave Sensor	<b>WS-PSLIDE</b>
Push Button	<b>PB-PSLIDE</b>
Keypad	<b>KP-PSLIDE</b>

800-824-3018 | www.pemko.com

Check the web site for the up-to-date catalog

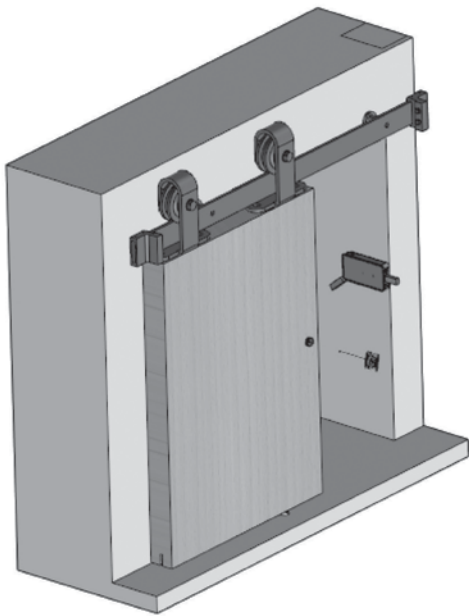
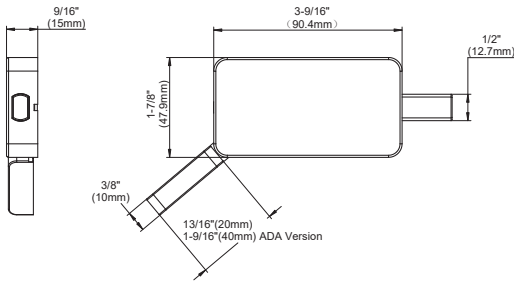
Copyright © 2015-2025, ASSA ABLOY Accessories and Door Controls Group, Inc., an ASSA ABLOY Group company. All rights reserved. Reproduction in whole or in part without the express written permission of ASSA ABLOY Accessories and Door Controls Group, Inc. is prohibited.

**PEMKO**  
**ASSA ABLOY**

Experience a safer  
and more open world

# PRIVACY BARN DOOR LOCK

## PEMKO SDL SERIES FOR SURFACE MOUNTED SLIDING DOORS



NOTE: For doors with 3/8" - 3/4" clearance between the wall or frame & door face



Experience a safer and more open world

### Configurations:

- Single

### Installations:

- Side Wall Mount (only)
- For Side Wall Mounted Sliding Door Openings only
- New Construction
- Retro
- ADA

### Features:

- Quick and easy installation
- Handing is reversible in the field
- ADA option available
- Privacy Function
- Includes Emergency Release Key
- Doors can be prepped in the field
- 5 year warranty

### Finishes:

- Brushed Stainless Steel
- Polished Stainless Steel
- Black Graphite
- Contact factory if custom finish is required for more information

Standard Kit Sizes		
PART NUMBER	MATERIAL	ADA COMPLIANT
SDL32D	Brushed Stainless	
SDL32	Polished Stainless	
SDL19	Black Graphite	
SDL32D-ADA	Brushed Stainless	•
SDL32-ADA	Polished Stainless	•
SDL19-ADA	Black Graphite	•

Compatible with the following Pemko sliding door kits:

- W60 Series
- W70 Series (with 3/8" to 3/4" clearance)
- W80 Series (with 3/8" to 3/4" clearance)
- W90 Series (with 3/8" to 3/4" clearance)
- W100 Series
- Side Wall Box Track Series (SWT)
- BLD Flat Track Series
- DSG Flat Track Series (with 3/8" to 3/4" clearance)

800-824-3018 | [www.pemko.com](http://www.pemko.com)  
Check the web site for the up-to-date catalog

Copyright © 2015-2025, ASSA ABLOY Accessories and Door Controls Group, Inc., an ASSA ABLOY Group company. All rights reserved. Reproduction in whole or in part without the express written permission of ASSA ABLOY Accessories and Door Controls Group, Inc. is prohibited.

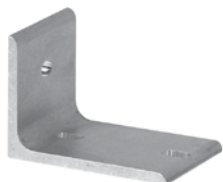
# OPTIONS & ACCESSORIES

A visual guide to various parts

## Mounting Brackets

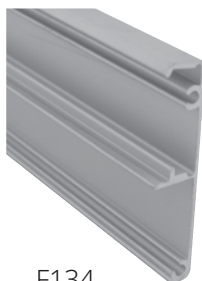


281  
(Sold in 5 packs, PC2815)



2812

## Fascia



F134

## End plates

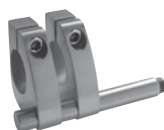


K134EP

## Stops



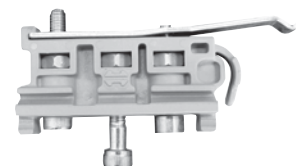
TELS-14KIT



STOP1  
W70 and G70 Kits only



PFBS



601H

## Guides



102N



PFBG-4



106R/94



102WA



PFBG-8



106N/94

## Pulls and Flush Bolts

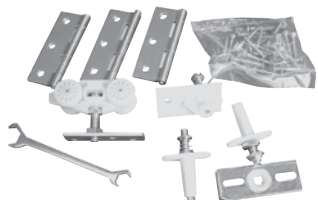


503SF

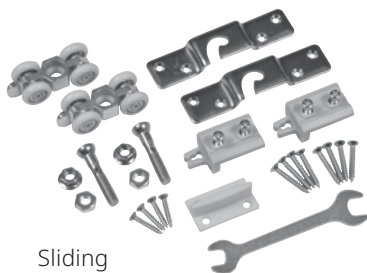


FB150SS

## Hardware Kits



Folding  
HF2/100 Pack



Sliding  
H200PACK

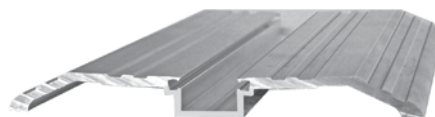
## Bottom Channel



94A



2802BT



971A

## Privacy Seals



PEMKOSFSET1



PEMKOSFSET2



PEMKOSFSET3



PEMKOSFSET4



PEMKOSFSET5

For more information, see page 196

800-824-3018 | [www.pemko.com](http://www.pemko.com)

Check the web site for the up-to-date catalog

Copyright © 2015-2025, ASSA ABLOY Accessories and Door Controls Group, Inc., an ASSA ABLOY Group company. All rights reserved. Reproduction in whole or in part without the express written permission of ASSA ABLOY Accessories and Door Controls Group, Inc. is prohibited.

**PEMKO**  
**ASSA ABLOY**

Experience a safer  
and more open world

## SOFT CLOSE FOR PEMKO BOX TRACK SYSTEMS

## For Pemko H200, H180, SHS80, HBP200, and Side Wall Track (SWT) systems

Minimum Door Width 28" When Using Dual or Single Devices.

For doors weighing 88-132 lbs.		For doors weighing 133-176 lbs.	
ITEM #	DESCRIPTION	ITEM #	DESCRIPTION
H180 /6-1411-1	H180 6' Single Device	H180 /6-1413-1	H180 6' Single Device
H180 /8-1411-1	H180 8' Single Device	H180 /8-1413-1	H180 8' Single Device
H180 /10-1411-1	H180 10' Single Device	H180 /10-1413-1	H180 10' Single Device
H180 /12-1411-1	H180 12' Single Device	H180 /12-1413-1	H180 12' Single Device
H180 /6-1411-2	H180 6' Dual Devices	H180 /6-1413-2	H180 6' Dual Devices
H180 /8-1411-2	H180 8' Dual Devices	H180 /8-1413-2	H180 8' Dual Devices
H180 /10-1411-2	H180 10' Dual Devices	H180 /10-1413-2	H180 10' Dual Devices
H180 /12-1411-2	H180 12' Dual Devices	H180 /12-1413-2	H180 12' Dual Devices
SHS80 /6-1411-1	SHS80 6' Single Device	SHS80 /6-1413-1	SHS80 6' Single Device
SHS80 /8-1411-1	SHS80 8' Single Device	SHS80 /8-1413-1	SHS80 8' Single Device
SHS80 /6-1411-2	SHS80 6' Dual Devices	SHS80 /6-1413-2	SHS80 6' Dual Devices
SHS80 /8-1411-2	SHS80 8' Dual Devices	SHS80 /8-1413-2	SHS80 8' Dual Devices
H200 /6-1411-1	H200 6' Single Device	H200 /6-1413-1	H200 6' Single Device
H200 /8-1411-1	H200 8' Single Device	H200 /8-1413-1	H200 8' Single Device
H200 /10-1411-1	H200 10' Single Device	H200 /10-1413-1	H200 10' Single Device
H200 /12-1411-1	H200 12' Single Device	H200 /12-1413-1	H200 12' Single Device
H200 /6-1411-2	H200 6' Dual Devices	H200 /6-1413-2	H200 6' Dual Devices
H200 /8-1411-2	H200 8' Dual Devices	H200 /8-1413-2	H200 8' Dual Devices
H200 /10-1411-2	H200 10' Dual Devices	H200 /10-1413-2	H200 10' Dual Devices
H200 /12-1411-2	H200 12' Dual Devices	H200 /12-1413-2	H200 12' Dual Devices
280 -SWTKIT/6-1411-1	280 -SWTKIT 6' Single Device	280 -SWTKIT/6-1413-1	280 -SWTKIT 6' Single Device
280 -SWTKIT/8-1411-1	280 -SWTKIT 8' Single Device	280 -SWTKIT/8-1413-1	280 -SWTKIT 8' Single Device
280 -SWTKIT/12-1411-1	280 -SWTKIT 12' One Device Per Door	280 -SWTKIT/12-1413-1	280 -SWTKIT 12' One Device per Door
280 -SWTKIT/6-1411-2	280 -SWTKIT 6' Dual Devices	280 -SWTKIT/6-1413-2	280 -SWTKIT 6' Dual Devices
280 -SWTKIT/8-1411-2	280 -SWTKIT 8' Dual Devices	280 -SWTKIT/8-1413-2	280 -SWTKIT 8' Dual Devices
280 -SWTKIT/12-1411-2	280 -SWTKIT 12' Two Devices Per Door	280 -SWTKIT/12-1413-2	280 -SWTKIT 12' Two Devices per Door
RF280 -SWTK/6-1411-1	RF280 -SWTK 6' Single Device	RF280 -SWTK/6-1413-1	RF280 -SWTK 6' Single Device
RF280 -SWTK/8-1411-1	RF280 -SWTK 8' Single Device	RF280 -SWTK/8-1413-1	RF280 -SWTK 8' Single Device
RF280 -SWTK/12-1411-1	RF280 -SWTK 12' One Device Per Door	RF280 -SWTK/12-1413-1	RF280 -SWTK 12' One Device per Door
RF280 -SWTK/6-1411-2	RF280 -SWTK 6' Dual Devices	RF280 -SWTK/6-1413-2	RF280 -SWTK 6' Dual Devices
RF280 -SWTK/8-1411-2	RF280 -SWTK 8' Dual Devices	RF280 -SWTK/8-1413-2	RF280 -SWTK 8' Dual Devices
RF280 -SWTK/12-1411-2	RF280 -SWTK 12' Two Devices Per Door	RF280 -SWTK/12-1413-2	RF280 -SWTK 12' Two Devices per Door
SF280 -SWTK/6-1411-1	SF280 -SWTK 6' Single Device	SF280 -SWTK/6-1413-1	SF280 -SWTK 6' Single Device
SF280 -SWTK/8-1411-1	SF280 -SWTK 8' Single Device	SF280 -SWTK/8-1413-1	SF280 -SWTK 8' Single Device
SF280 -SWTK/12-1411-1	SF280 -SWTK 12' One Device Per Door	SF280 -SWTK/12-1413-1	SF280 -SWTK 12' One Device per Door
SF280 -SWTK/6-1411-2	SF280 -SWTK 6' Dual Devices	SF280 -SWTK/6-1413-2	SF280 -SWTK 6' Dual Devices
SF280 -SWTK/8-1411-2	SF280 -SWTK 8' Dual Devices	SF280 -SWTK/8-1413-2	SF280 -SWTK 8' Dual Devices
SF280 -SWTK/12-1411-2	SF280 -SWTK 12' Two Devices Per Door	SF280 -SWTK/12-1413-2	SF280 -SWTK 12' Two Devices per Door
HBP200 /6-1411-1	HBP200 6' One Device Per Door	HBP200 /6-1413-1	HBP200 6' One Device Per Door
HBP200 /8-1411-1	HBP200 8' One Device Per Door	HBP200 /8-1413-1	HBP200 8' One Device Per Door
HBP200 /10-1411-1	HBP200 10' One Device Per Door	HBP200 /10-1413-1	HBP200 10' One Device Per Door
HBP200 /12-1411-1	HBP200 12' One Device Per Door	HBP200 /12-1413-1	HBP200 12' One Device Per Door
HBP200 /6-1411-2	HBP200 6' Two Devices Per Door	HBP200 /6-1413-2	HBP200 6' Two Devices Per Door
HBP200 /8-1411-2	HBP200 8' Two Devices Per Door	HBP200 /8-1413-2	HBP200 8' Two Devices Per Door
HBP200 /10-1411-2	HBP200 10' Two Devices Per Door	HBP200 /10-1413-2	HBP200 10' Two Devices Per Door
HBP200 /12-1411-2	HBP200 12' Two Devices Per Door	HBP200 /12-1413-2	HBP200 12' Two Devices Per Door

**PEMKO**  
**ASSA ABLOY**

Experience a safer  
and more open world

800-824-3018 | [www.pemko.com](http://www.pemko.com)  
Check the web site for the up-to-date catalog

Copyright © 2015-2025, ASSA ABLOY Accessories and Door Controls Group, Inc., an ASSA ABLOY Group company. All rights reserved.  
Reproduction in whole or in part without the express written permission of ASSA ABLOY Accessories and Door Controls Group, Inc. is prohibited.



## SOFT CLOSE FOR PEMKO BOX TRACK SYSTEMS *(Continued)*

### For Pemko H200, H180, SHS80, HBP200, and Side Wall Track (SWT) systems

Minimum Door Width 28" When Using Dual or Single Devices.

For doors weighing 177-200 lbs.	
ITEM #	DESCRIPTION
H180 /6-1418-1	H180 6' Single Device
H180 /8-1418-1	H180 8' Single Device
H180 /10-1418-1	H180 10' Single Device
H180 /12-1418-1	H180 12' Single Device
H180 /6-1418-2	H180 6' Dual Devices
H180 /8-1418-2	H180 8' Dual Devices
H180 /10-1418-2	H180 10' Dual Devices
H180 /12-1418-2	H180 12' Dual Devices
SHS80 /6-1418-1	SHS80 6' Single Device
SHS80 /8-1418-1	SHS80 8' Single Device
SHS80 /6-1418-2	SHS80 6' Dual Devices
SHS80 /8-1418-2	SHS80 8' Dual Devices
H200 /6-1418-1	H200 6' Single Device
H200 /8-1418-1	H200 8' Single Device
H200 /10-1418-1	H200 10' Single Device
H200 /12-1418-1	H200 12' Single Device
H200 /6-1418-2	H200 6' Dual Devices
H200 /8-1418-2	H200 8' Dual Devices
H200 /10-1418-2	H200 10' Dual Devices
H200 /12-1418-2	H200 12' Dual Devices
280 -SWTKIT/6-1418-1	280 -SWTKIT 6' Single Device
280 -SWTKIT/8-1418-1	280 -SWTKIT 8' Single Device
280 -SWTKIT/12-1418-1	280 -SWTKIT 12' One Device Per Door
280 -SWTKIT/6-1418-2	280 -SWTKIT 6' Dual Devices
280 -SWTKIT/8-1418-2	280 -SWTKIT 8' Dual Devices
280 -SWTKIT/12-1418-2	280 -SWTKIT 12' Two Devices Per Door
RF280 -SWTK/6-1418-1	RF280 -SWTK 6' Single Device
RF280 -SWTK/8-1418-1	RF280 -SWTK 8' Single Device
RF280 -SWTK/12-1418-1	RF280 -SWTK 12' One Device Per Door
RF280 -SWTK/6-1418-2	RF280 -SWTK 6' Dual Devices
RF280 -SWTK/8-1418-2	RF280 -SWTK 8' Dual Devices
RF280 -SWTK/12-1418-2	RF280 -SWTK 12' Two Devices Per Door
SF280 -SWTK/6-1418-1	SF280 -SWTK 6' Single Device
SF280 -SWTK/8-1418-1	SF280 -SWTK 8' Single Device
SF280 -SWTK/12-1418-1	SF280 -SWTK 12' One Device Per Door
SF280 -SWTK/6-1418-2	SF280 -SWTK 6' Dual Devices
SF280 -SWTK/8-1418-2	SF280 -SWTK 8' Dual Devices
SF280 -SWTK/12-1418-2	SF280 -SWTK 12' Two Devices Per Door
HBP200 /6-1418-1	HBP200 6' One Device Per Door
HBP200 /8-1418-1	HBP200 8' One Device Per Door
HBP200 /10-1418-1	HBP200 10' One Device Per Door
HBP200 /12-1418-1	HBP200 12' One Device Per Door
HBP200 /6-1418-2	HBP200 6' Two Devices Per Door
HBP200 /8-1418-2	HBP200 8' Two Devices Per Door
HBP200 /10-1418-2	HBP200 10' Two Devices Per Door
HBP200 /12-1418-2	HBP200 12' Two Devices Per Door

## SOFT CLOSE FOR PEMKO FLAT TRACK SYSTEMS

### For Pemko Designer Series Flat Track Sliding Door Hardware

Minimum Door Width Using Single Device 15".

22" Minimum Door Width When Using Dual Devices.

For doors weighing 88 - 132 lbs.	
ITEM #	DESCRIPTION
DSG-FT-03 /6-1411-1	DSG-FT-03 6' Single Soft Close Device
DSG-FT-03 /8-1411-1	DSG-FT-03 8' Single Soft Close Device
DSG-FT-03 /6-1411-2	DSG-FT-03 6' Dual Soft Close Device
DSG-FT-03 /8-1411-2	DSG-FT-03 8' Dual Soft Close Device
DSG-FT-04 /6-1411-1	DSG-FT-04 6' Single Soft Close Device
DSG-FT-04 /8-1411-1	DSG-FT-04 8' Single Soft Close Device
DSG-FT-04 /6-1411-2	DSG-FT-04 6' Dual Soft Close Devices
DSG-FT-04 /8-1411-2	DSG-FT-04 8' Dual Soft Close Devices
DSG-FT-05 /6-1411-1	DSG-FT-05 6' Single Soft Close Device
DSG-FT-05 /8-1411-1	DSG-FT-05 8' Single Soft Close Device
DSG-FT-05 /6-1411-2	DSG-FT-05 6' Dual Soft Close Devices
DSG-FT-05 /8-1411-2	DSG-FT-05 8' Dual Soft Close Devices
DSG-FT-06 /6-1411-1	DSG-FT-06 6' Single Soft Close Device
DSG-FT-06 /8-1411-1	DSG-FT-06 8' Single Soft Close Device
DSG-FT-06 /6-1411-2	DSG-FT-06 6' Dual Soft Close Devices
DSG-FT-06 /8-1411-2	DSG-FT-06 8' Dual Soft Close Devices

For doors weighing 133-176 lbs.	
ITEM #	DESCRIPTION
DSG-FT-03 /6-1413-1	DSG-FT-03 6' Single Soft Close Device
DSG-FT-03 /8-1413-1	DSG-FT-03 8' Single Soft Close Device
DSG-FT-03 /6-1413-2	DSG-FT-03 6' Dual Soft Close Device
DSG-FT-03 /8-1413-2	DSG-FT-03 8' Dual Soft Close Device
DSG-FT-04 /6-1413-1	DSG-FT-04 6' Single Soft Close Device
DSG-FT-04 /8-1413-1	DSG-FT-04 8' Single Soft Close Device
DSG-FT-04 /6-1413-2	DSG-FT-04 6' Dual Soft Close Devices
DSG-FT-04 /8-1413-2	DSG-FT-04 8' Dual Soft Close Devices
DSG-FT-05 /6-1413-1	DSG-FT-05 6' Single Soft Close Device
DSG-FT-05 /8-1413-1	DSG-FT-05 8' Single Soft Close Device
DSG-FT-05 /6-1413-2	DSG-FT-05 6' Dual Soft Close Devices
DSG-FT-05 /8-1413-2	DSG-FT-05 8' Dual Soft Close Devices
DSG-FT-06 /6-1413-1	DSG-FT-06 6' Single Soft Close Device
DSG-FT-06 /8-1413-1	DSG-FT-06 8' Single Soft Close Device
DSG-FT-06 /6-1413-2	DSG-FT-06 6' Dual Soft Close Devices
DSG-FT-06 /8-1413-2	DSG-FT-06 8' Dual Soft Close Devices

For doors weighing 177-240 lbs.	
ITEM #	DESCRIPTION
DSG-FT-03 /6-1418-1	DSG-FT-03 6' Single Soft Close Device
DSG-FT-03 /8-1418-1	DSG-FT-03 8' Single Soft Close Device
DSG-FT-03 /6-1418-2	DSG-FT-03 6' Dual Soft Close Device
DSG-FT-03 /8-1418-2	DSG-FT-03 8' Dual Soft Close Device
DSG-FT-04 /6-1418-1	DSG-FT-04 6' Single Soft Close Device
DSG-FT-04 /8-1418-1	DSG-FT-04 8' Single Soft Close Device
DSG-FT-04 /6-1418-2	DSG-FT-04 6' Dual Soft Close Devices
DSG-FT-04 /8-1418-2	DSG-FT-04 8' Dual Soft Close Devices
DSG-FT-05 /6-1418-1	DSG-FT-05 6' Single Soft Close Device
DSG-FT-05 /8-1418-1	DSG-FT-05 8' Single Soft Close Device
DSG-FT-05 /6-1418-2	DSG-FT-05 6' Dual Soft Close Devices
DSG-FT-05 /8-1418-2	DSG-FT-05 8' Dual Soft Close Devices
DSG-FT-06 /6-1418-1	DSG-FT-06 6' Single Soft Close Device
DSG-FT-06 /8-1418-1	DSG-FT-06 8' Single Soft Close Device
DSG-FT-06 /6-1418-2	DSG-FT-06 6' Dual Soft Close Devices
DSG-FT-06 /8-1418-2	DSG-FT-06 8' Dual Soft Close Devices

800-824-3018 | [www.pemko.com](http://www.pemko.com)

Check the web site for the up-to-date catalog

Copyright © 2015-2025, ASSA ABLOY Accessories and Door Controls Group, Inc., an ASSA ABLOY Group company. All rights reserved. Reproduction in whole or in part without the express written permission of ASSA ABLOY Accessories and Door Controls Group, Inc. is prohibited.

**PEMKO**  
**ASSA ABLOY**

Experience a safer  
and more open world

## SOFT CLOSE FOR PEMKO FLAT TRACK SYSTEMS

### For Pemko Builders Series Flat Track Sliding Door Hardware

Minimum Door Width Using Single Device 15".  
22" Minimum Door Width When Using Dual Devices.

#### For doors weighing 88 - 132 lbs.

ITEM #	DESCRIPTION
BLD-FT-01 /6-1411-1	BLD-FT-01 6' Single Device
BLD-FT-01 /8-1411-1	BLD-FT-01 8' Single Device
BLD-FT-01 /6-1411-2	BLD-FT-01 6' Dual Devices
BLD-FT-01 /8-1411-2	BLD-FT-01 8' Dual Devices
BLD-FT-02 /6-1411-1	BLD-FT-02 6' Single Device
BLD-FT-02 /8-1411-1	BLD-FT-02 8' Single Device
BLD-FT-02 /6-1411-2	BLD-FT-02 6' Dual Devices
BLD-FT-02 /8-1411-2	BLD-FT-02 8' Dual Devices

#### For doors weighing 133-176 lbs.

ITEM #	DESCRIPTION
BLD-FT-01 /6-1413-1	BLD-FT-01 6' Single Device
BLD-FT-01 /8-1413-1	BLD-FT-01 8' Single Device
BLD-FT-01 /6-1413-2	BLD-FT-01 6' Dual Devices
BLD-FT-01 /8-1413-2	BLD-FT-01 8' Dual Devices
BLD-FT-02 /6-1413-1	BLD-FT-02 6' Single Device
BLD-FT-02 /8-1413-1	BLD-FT-02 8' Single Device
BLD-FT-02 /6-1413-2	BLD-FT-02 6' Dual Devices
BLD-FT-02 /8-1413-2	BLD-FT-02 8' Dual Devices

#### For doors weighing 177-240 lbs.

ITEM #	DESCRIPTION
BLD-FT-01 /6-1418-1	BLD-FT-01 6' Single Device
BLD-FT-01 /8-1418-1	BLD-FT-01 8' Single Device
BLD-FT-01 /6-1418-2	BLD-FT-01 6' Dual Devices
BLD-FT-01 /8-1418-2	BLD-FT-01 8' Dual Devices
BLD-FT-02 /6-1418-1	BLD-FT-02 6' Single Device
BLD-FT-02 /8-1418-1	BLD-FT-02 8' Single Device
BLD-FT-02 /6-1418-2	BLD-FT-02 6' Dual Devices
BLD-FT-02 /8-1418-2	BLD-FT-02 8' Dual Devices

## SOFT CLOSE RETROFIT KITS

### For Designer Series Systems

ITEM #	DESCRIPTION
DSG1411-1	Single Device 88-132 lbs.
DSG1411-2	Dual Devices 88-132 lbs.
DSG1413-1	Single Device 133-176 lbs.
DSG1413-2	Dual Devices 133-176 lbs.
DSG1418-1	Single Device 177-240 lbs.
DSG1418-2	Dual Devices 177-240 lbs.

**Finishes:** add IS for Industrial Steel finish  
add BSP for Black Suede finish  
add SS for Stainless Steel finish

### For Builders Series Systems

ITEM #	DESCRIPTION
BLD1411-1	Single Device 88-132 lbs.
BLD1411-2	Dual Devices 88-132 lbs.
BLD1413-1	Single Device 133-176 lbs.
BLD1413-2	Dual Devices 133-176 lbs.
BLD1418-1	Single Device 177-240 lbs.
BLD1418-2	Dual Devices 177-240 lbs.

**Finishes:** add C for IS finish  
add D for BSP finish

### For Box Track Systems

ITEM #	DESCRIPTION
SC1411-1	Single Device 88-132 lbs.
SC1411-2	Dual Devices 88-132 lbs.
SC1413-1	Single Device 133-176 lbs.
SC1413-2	Dual Devices 133-176 lbs.
SC1418-1	Single Device 177-240 lbs.
SC1418-2	Dual Devices 177-240 lbs.

## SOFT CLOSE POCKET FRAME KIT

**PF134KIT must be ordered when using 1-3/4" thick doors in 2x4 stud constructed walls.**

Wood 2x4 Stud Constructed Walls	Wood 2x6 Stud Constructed Walls	Metal 2x6 Stud Constructed Walls	Net Door Size	Options
SC-PF28200A7280	SC-PF28200A7280-2x6	SC-PF28200A7280-SP6	3'0" x 6'8"	PFAS84, PFCDKIT for Bi-Parting door openings
SC-PF28200A9680	SC-PF28200A9680-2x6	SC-PF28200A9680-SP6	4'0" x 6'8"	PFAS84, PFCDKIT for Bi-Parting door openings
SC-PF28200A7284	SC-PF28200A7284-2x6	SC-PF28200A7284-SP6	3'0" x 7'0"	PFAS88, PFCDKIT for Bi-Parting door openings
SC-PF28200A9684	SC-PF28200A9684-2x6	SC-PF28200A9684-SP6	4'0" x 7'0"	PFAS88, PFCDKIT for Bi-Parting door openings
SC-PF28200A7296	SC-PF28200A7296-2x6	SC-PF28200A7296-SP6	3'0" x 8'0"	PFAS100, PFCDKIT for Bi-Parting door openings
SC-PF28200A9696	SC-PF28200A9696-2x6	SC-PF28200A9696-SP6	4'0" x 8'0"	PFAS100, PFCDKIT for Bi-Parting door openings

**PEMKO**  
**ASSA ABLOY**

Experience a safer  
and more open world

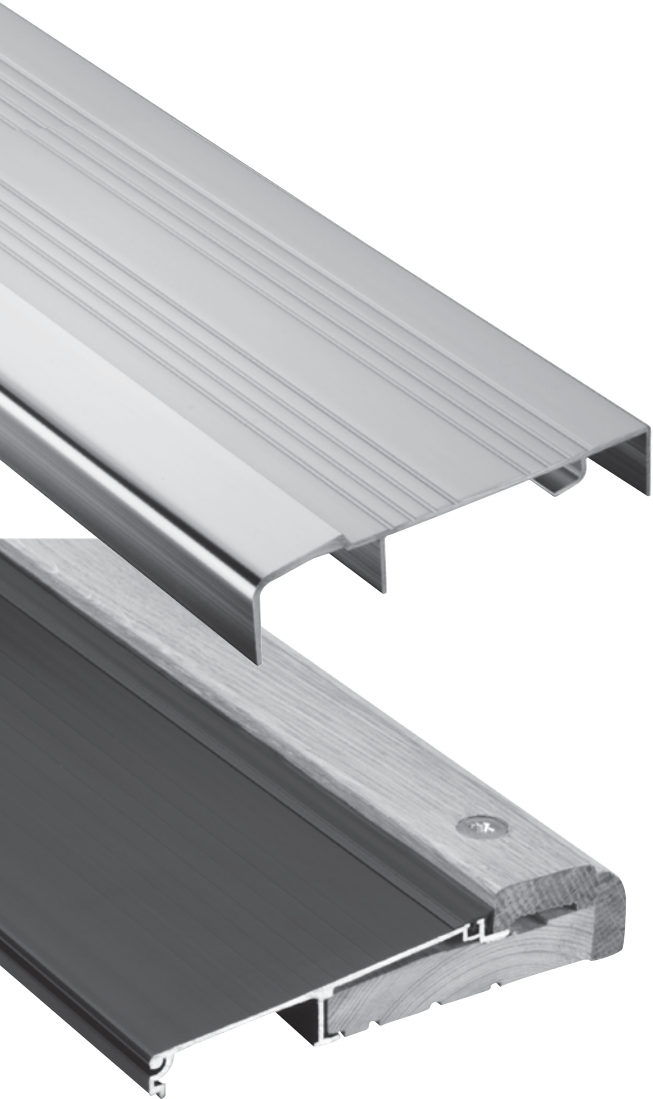
800-824-3018 | [www.pemko.com](http://www.pemko.com)  
Check the web site for the up-to-date catalog

Copyright © 2015-2025, ASSA ABLOY Accessories and Door Controls Group, Inc., an ASSA ABLOY Group company. All rights reserved.  
Reproduction in whole or in part without the express written permission of ASSA ABLOY Accessories and Door Controls Group, Inc. is prohibited.

# RESIDENTIAL THRESHOLDS

## CONTENTS:

Interlocking Thresholds and Caps .....	260
Interlocking Thresholds - Water Return .....	261
Interlocking Hooks .....	261
Adjustable Eco-V™ Top Thresholds .....	262
Eco-V™ Top Thresholds .....	262
Residential Saddles .....	262
Bumper Thresholds for Outswing Doors .....	263
Squareback Thresholds .....	263
Oak Thresholds .....	264
Sill Nosings .....	264
Adjustable Aluminum Top Sills .....	265
Adjustable Oak Top Sills .....	266
Outswing Adjustable Oak Top Sills .....	267
Residential All-Aluminum Adjustable Sills .....	267
Fixed Eco-V™ Top Residential Sills .....	268
Residential All-Aluminum Fixed Sills .....	268
Outswing Fixed Bumper Sills .....	269
Extenders For All Residential Sills .....	269



## INDEX:

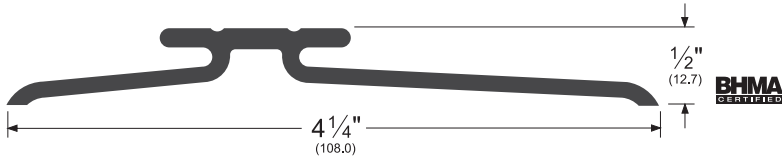
<u>PRODUCT</u>	<u>PAGE</u>	<u>PRODUCT</u>	<u>PAGE</u>	<u>PRODUCT</u>	<u>PAGE</u>
61 .....	261	218OAK .....	264	74518 .....	267
66 .....	261	219 .....	262	75518 .....	267
101 .....	260	219OAK .....	264	84514 .....	268
108 .....	260	249 .....	262	85514 .....	268
110 .....	260	250 .....	262	94518 .....	265
114 .....	260	324 .....	264	94518_W .....	266
120 .....	260	326 .....	264	95518 .....	265
136 .....	261	327 .....	264	95518_W .....	266
142 .....	261	2051 .....	263	EXT2 .....	269
145 .....	261	2052 .....	263	EXT3 .....	269
146 .....	261	2053 .....	263	EXT3/4 .....	269
149 .....	263	2054 .....	263	N84518 .....	268
206 .....	262	2500W .....	264	N85518 .....	268
208 .....	262	3261 .....	264	OS95518 .....	267
212 .....	262	8451 .....	269		
218 .....	262	8452 .....	269		

## INTERLOCKING THRESHOLDS

- All interlocking thresholds (including water return types) and caps are furnished with #61 hooks and nails
- For alternate hooks, see following page

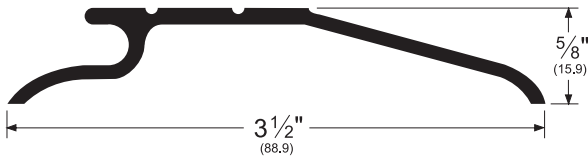
### 114\_

AVAILABLE FINISHES: A, B, D



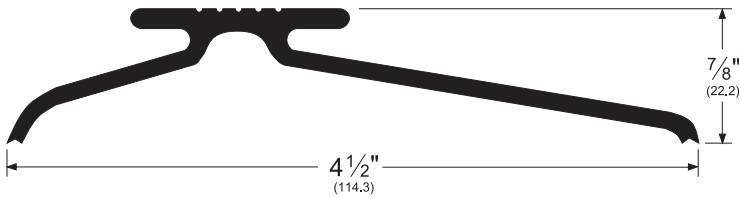
### 110\_

AVAILABLE FINISHES: A, B, D



### 120\_

AVAILABLE FINISHES: B

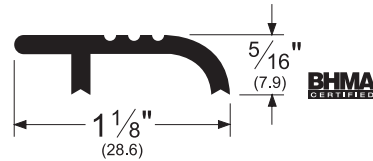


## THRESHOLD CAPS

- Typically mounted on an existing saddle-type threshold to create an interlock with a J-hook or L-hook

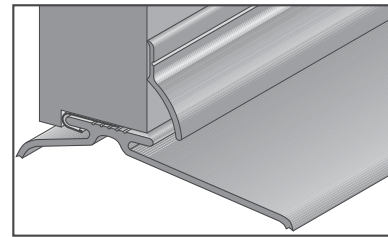
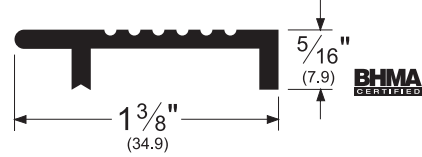
### 101\_

AVAILABLE FINISHES: A, B, D  
ANSI: J34170



### 108\_

AVAILABLE FINISH: B  
ANSI: J14170



NOTE: Products shown in this section may not be drawn to scale.

AVAILABLE FINISHES FOR PRODUCTS SHOWN ON THIS PAGE

A (Mill Finish Aluminum) B (Mill Finish Extruded Bronze [Brass]) D (Dark Bronze Anodized)

**PEMKO**  
**ASSA ABLOY**

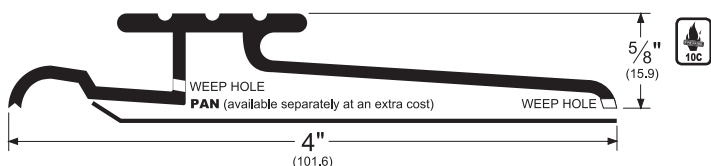
Experience a safer  
and more open world

## INTERLOCKING THRESHOLDS - WATER RETURN

- Water return thresholds are designed to catch water which may blow or run under the door and return it to the outside through interior weep holes, down the sloped drain pan, and out exterior weep holes
- Product number for the aluminum water return pan is **PAN**
- Products are furnished with #61 hooks and nails

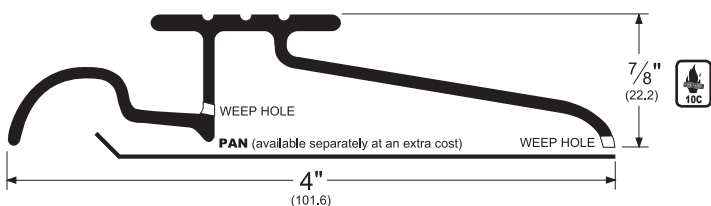
### 142\_

AVAILABLE FINISHES: A, D



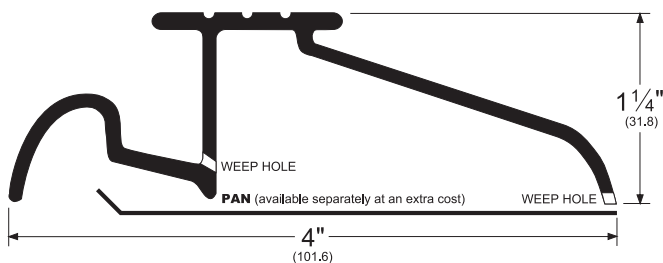
### 145\_

AVAILABLE FINISHES: A, B, D



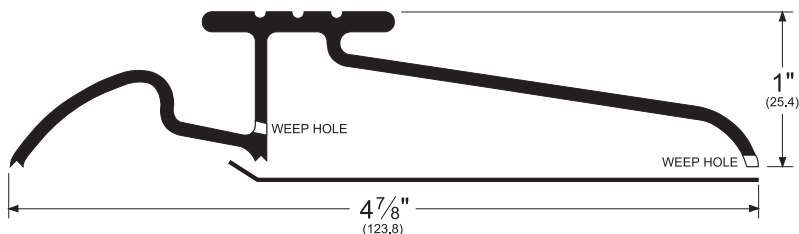
### 146\_

AVAILABLE FINISHES: B



### 136\_

AVAILABLE FINISHES: A, B, D



NOTE: Products shown in this section may not be drawn to scale.

AVAILABLE FINISHES FOR PRODUCTS SHOWN ON THIS PAGE

A (Mill Finish Aluminum) B (Mill Finish Extruded Bronze [Brass]) D (Dark Bronze Anodized)  
For Hooks: B (Bronze) Z (Steel)

800-824-3018 | [www.pemko.com](http://www.pemko.com)

Check the web site for the up-to-date catalog

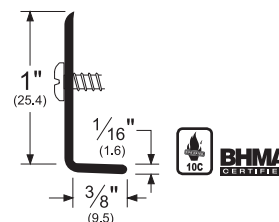
Copyright © 2015-2025, ASSA ABLOY Accessories and Door Controls Group, Inc., an ASSA ABLOY Group company. All rights reserved.  
Reproduction in whole or in part without the express written permission of ASSA ABLOY Accessories and Door Controls Group, Inc. is prohibited.

## Hooks

- When installed properly on bottom of door, hooks interlock with threshold for a superior seal
- When substituting #66 hook for #61 hooks, price will be increased accordingly. Contact Pemko Customer Service

### 66\_

AVAILABLE FINISHES: A, D



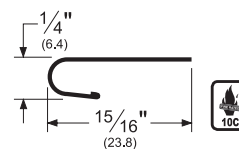
### \_61

AVAILABLE FINISHES: B, Z

.018 bronze

.015 steel

NOTE: B61 is roll form bronze metal



**PEMKO**  
**ASSA ABLOY**

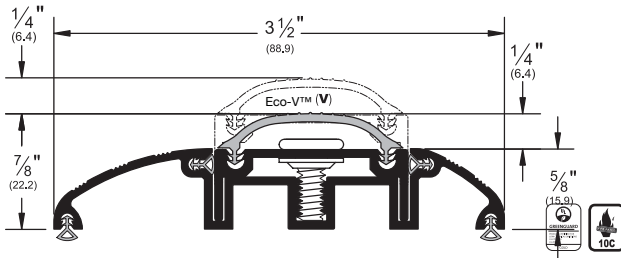
Experience a safer  
and more open world

## ADJUSTABLE ECO-V™ TOP THRESHOLDS

- Furnished with concealed, weather-sealed mounting screws and adjustment mechanism
- Eco-V™ seal adjusts to overcome swelling and/or shrinking of door and floor and eliminates need for shoe or sweep
- Furnished with Eco-V™ (V) insert. Gray replacement Eco-V™ is **PV64GR** (see Weatherization Products section)
- Eco-V™ replacement "foot" insert is **EV63GR**
- Pre-assembled for easy installation and adjustment

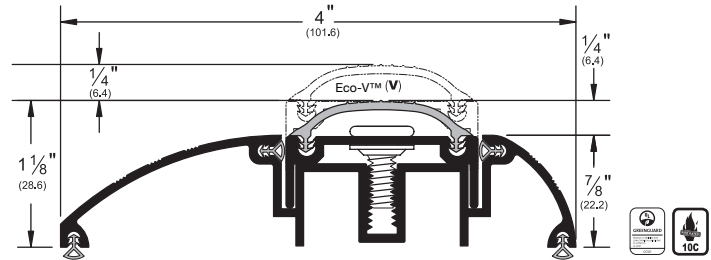
### 249\_V

AVAILABLE FINISHES: A, D  
AVAILABLE LENGTHS: **36", 72"**



### 250\_V

AVAILABLE FINISHES: A, D  
AVAILABLE LENGTHS: **36", 72"**

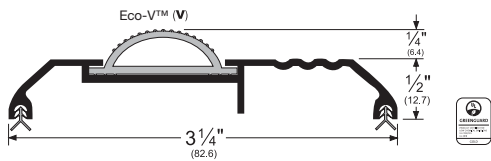


## ECO-V™ TOP THRESHOLDS

- Eco-V™ (V) top creates a seal at the bottom of the door, eliminating the need for door sweeps or door shoes
- Eco-V™ feet replacement insert is **EV12GR**

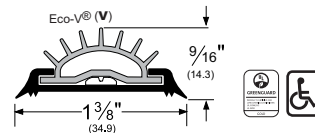
### 206\_V

AVAILABLE FINISHES: A, D  
Gray replacement Eco-V™ is **EV22GR**  
Black replacement Eco-V™ is **EV22BL**



### 208\_V

AVAILABLE FINISHES: A, D  
Replacement Eco-V™ is **EV15BL** or **EV15GR**

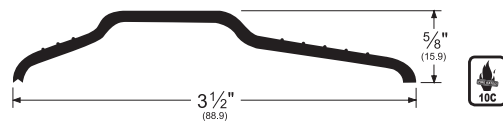


## RESIDENTIAL SADDLES

- Use a door bottom shoe or sweep with these thresholds to seal out the elements
- Made of sturdy extruded aluminum
- Replacement Eco-V™ feet (where applicable) is **EV12GR**

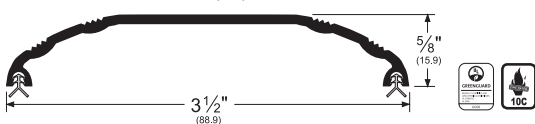
### 212\_

AVAILABLE FINISHES: A, D



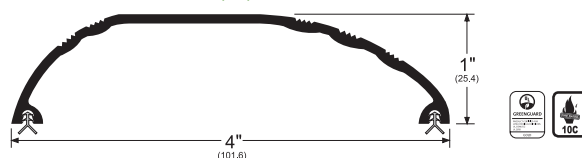
### 218\_

AVAILABLE FINISHES: A, D, SN



### 219\_

AVAILABLE FINISHES: A, D, SN



NOTE: Products shown in this section may not be drawn to scale.

AVAILABLE FINISHES FOR PRODUCTS SHOWN ON THIS PAGE  
A (Mill Finish Aluminum) D (Dark Bronze Anodized) SN (Satin Nickel Anodized)

**PEMKO**  
**ASSA ABLOY**

Experience a safer  
and more open world

800-824-3018 | [www.pemko.com](http://www.pemko.com)  
Check the web site for the up-to-date catalog

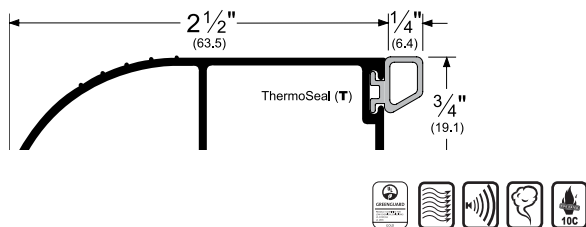
Copyright © 2015-2025, ASSA ABLOY Accessories and Door Controls Group, Inc., an ASSA ABLOY Group company. All rights reserved.  
Reproduction in whole or in part without the express written permission of ASSA ABLOY Accessories and Door Controls Group, Inc. is prohibited.

## BUMPER THRESHOLDS FOR OUTSWING DOORS

- In the closed position, the door butts up to bumper seal on threshold creating a seal against the elements

### 149\_T

AVAILABLE FINISHES: A, D  
REPLACEMENT INSERT: T5 (BL)



#### Alternate Insert For 149

### 149\_P

AVAILABLE FINISHES:  
A, D  
REPLACEMENT INSERT:  
P2 (BL, GR)



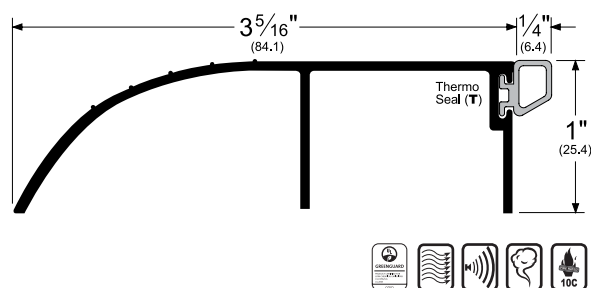
### 149\_V

AVAILABLE FINISHES:  
A, D  
REPLACEMENT INSERT:  
EV41 (BL, GR, W)



### 2051\_T

AVAILABLE FINISHES: A, D  
REPLACEMENT INSERT: T5 (BL)



#### Alternate Insert For 2051

### 2051\_P

AVAILABLE FINISHES:  
A, D  
REPLACEMENT  
INSERT: P2 (BL, GR)



### 2051\_V

AVAILABLE FINISHES:  
A, D  
REPLACEMENT INSERT:  
EV41 (BL, GR, W)



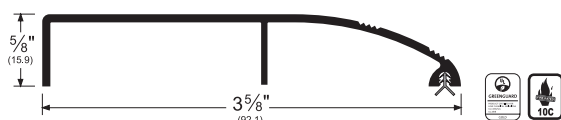
## SQUAREBACK THRESHOLDS

- Replacement Eco-V™ feet (where applicable) is **EV12GR**
- Interior support leg flushes with interior jamb in application, allowing flooring to squarely abut threshold
- Ideal for tall terra cotta, plush carpet or stone paver entry applications for smooth transition

- Gently sloping and ribbed exterior ramp eliminates trip hazard while providing maximum rain guard. (Be sure to caulk all support legs or lay in mastic for best seal)
- Center support leg provides for engineered threshold stability

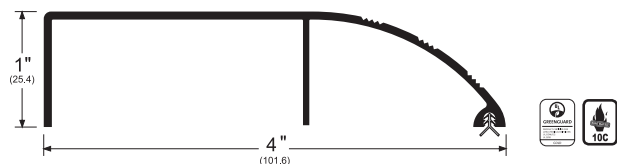
### 2052\_

AVAILABLE FINISHES: A, D



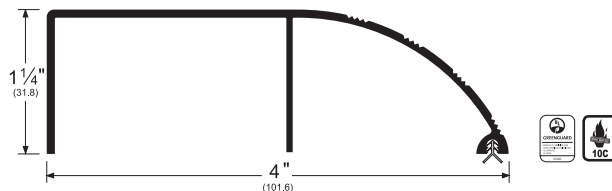
### 2053\_

AVAILABLE FINISHES: A, D



### 2054\_

AVAILABLE FINISHES: A, D



NOTE: Products shown in this section may not be drawn to scale.

AVAILABLE FINISHES FOR PRODUCTS SHOWN ON THIS PAGE  
A (Mill Finish Aluminum) D (Dark Bronze Anodized)

800-824-3018 | www.pemko.com

Check the web site for the up-to-date catalog

Copyright © 2015-2025, ASSA ABLOY Accessories and Door Controls Group, Inc., an ASSA ABLOY Group company. All rights reserved. Reproduction in whole or in part without the express written permission of ASSA ABLOY Accessories and Door Controls Group, Inc. is prohibited.

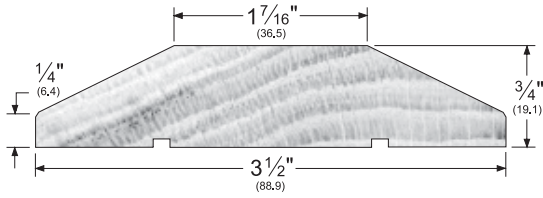
**PEMKO**  
**ASSA ABLOY**

Experience a safer  
and more open world

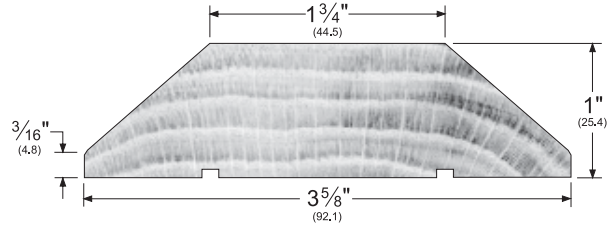
## OAK THRESHOLDS

- Natural unfinished oak provides beauty as well as thermal benefits
- Available in 36" or 72" lengths only

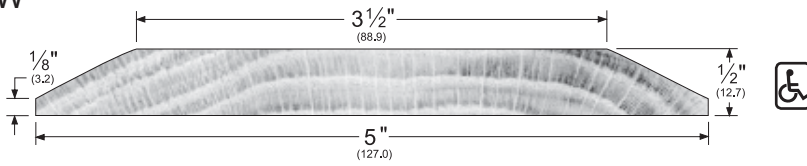
### 218OAK



### 219OAK



### 2500W

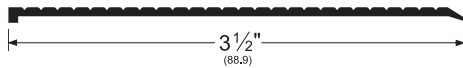


## SILL NOSINGS

- Used to cover concrete or wood sill
- Provides an attractive finished look to new and old door openings, covering defects in existing sill
- Sill nosings are held in place with mastic and pressure from threshold placement

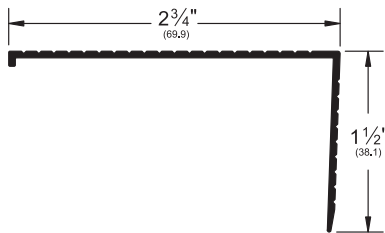
### 324\_

AVAILABLE FINISHES: A, B, D



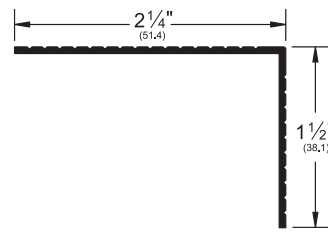
### 326\_

AVAILABLE FINISHES: A, B, D, SN



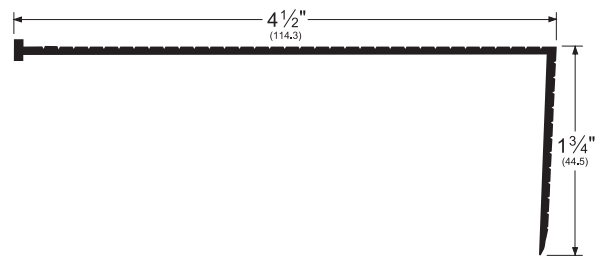
### 3261\_

AVAILABLE FINISHES: A, D, SN



### 327\_

AVAILABLE FINISHES: A, D, PW, SN



NOTE: Products shown in this section may not be drawn to scale.

AVAILABLE FINISHES FOR PRODUCTS SHOWN ON THIS PAGE

A (Mill Finish Aluminum) B (Mill Finish Extruded Bronze [Brass]) D (Dark Bronze Anodized Aluminum) PW (Painted White Aluminum) SN (Satin Nickel Anodized Aluminum) OAK (Natural Unfinished Oak) W (Solid Oak)



Experience a safer and more open world

800-824-3018 | www.pemko.com  
Check the web site for the up-to-date catalog

Copyright © 2015-2025, ASSA ABLOY Accessories and Door Controls Group, Inc., an ASSA ABLOY Group company. All rights reserved. Reproduction in whole or in part without the express written permission of ASSA ABLOY Accessories and Door Controls Group, Inc. is prohibited.



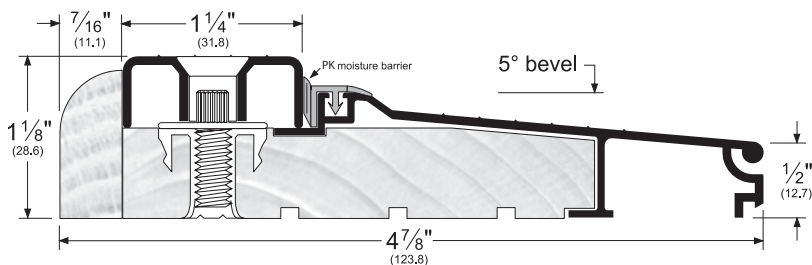
## RESIDENTIAL MILLWORK SILLS

- Sills for use with standard  $4\frac{5}{8}$ " jamb width with easy snap-on extension for jambs as wide as  $8\frac{3}{4}$ "
- For fabrication options for adjustable or fixed substrate sills, such as horning or sidelite mullion notching, contact Pemko Customer Service
- Residential Sills are designed specifically for the pre-hung door market. They are furnished un-drilled and without screws or nails
- Adjustable up to  $\frac{1}{4}$ " to compensate for uneven door bottoms and sub-sill level changes. Two-part zinc plated steel stud shoulder screw joins a long-barreled, zinc plated steel T-nut for superior stability and long-lasting reliability
- PemkoPrene (**PK**) moisture barrier prevents water intrusion. Design of PemkoPrene (**PK**) bulb configuration keeps constant pressure between aluminum cap and aluminum extrusion at any level of adjustment (bulb shown compressed). Replacement insert is **PK74BL**
- Available in standard sizes 32.5", 36.5", and 73.75"

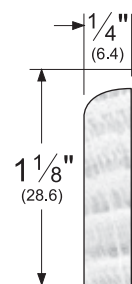
## ADJUSTABLE ALUMINUM TOP SILLS

### 94518\_

AVAILABLE FINISHES: A, D

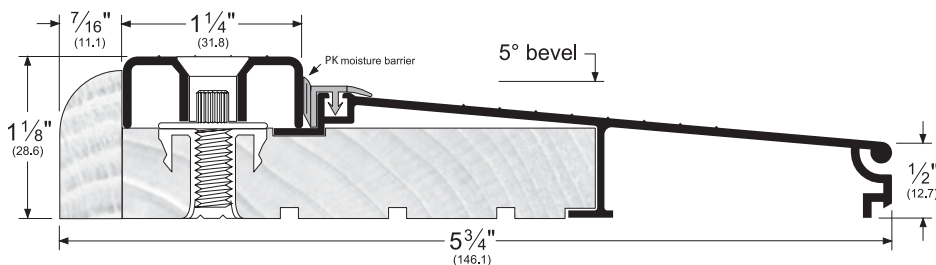


Add "NT" to the end of product number to order narrow trim (i.e. 94518A36.5NT). Full width of sill changes from  $4\frac{7}{8}$ " to  $4\frac{11}{16}$ ".

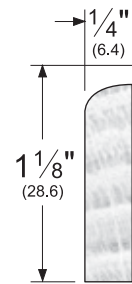


### 95518\_

AVAILABLE FINISHES: A, D



Add "NT" to the end of product number to order narrow trim (i.e. 95518A36.5NT). Full width of sill changes from  $5\frac{3}{4}$ " to  $5\frac{9}{16}$ ".



NOTE: Products shown in this section may not be drawn to scale.

AVAILABLE FINISHES FOR PRODUCTS SHOWN ON THIS PAGE  
**A** (Mill Finish Aluminum) **D** (Dark Bronze Anodized)

800-824-3018 | [www.pemko.com](http://www.pemko.com)

Check the web site for the up-to-date catalog

Copyright © 2015-2025, ASSA ABLOY Accessories and Door Controls Group, Inc., an ASSA ABLOY Group company. All rights reserved. Reproduction in whole or in part without the express written permission of ASSA ABLOY Accessories and Door Controls Group, Inc. is prohibited.

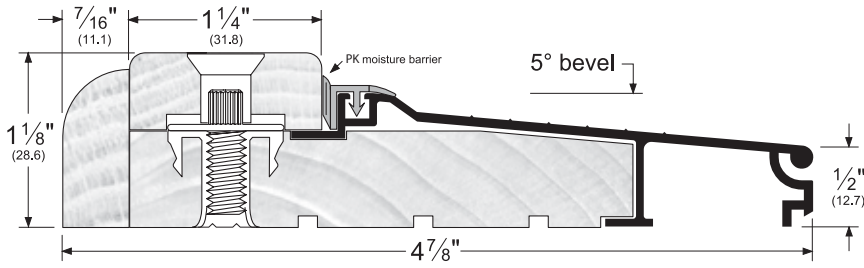
**PEMKO**  
**ASSA ABLOY**

Experience a safer  
 and more open world

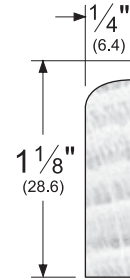
# ADJUSTABLE OAK TOP SILLS

## 94518\_W

AVAILABLE FINISHES: A, D

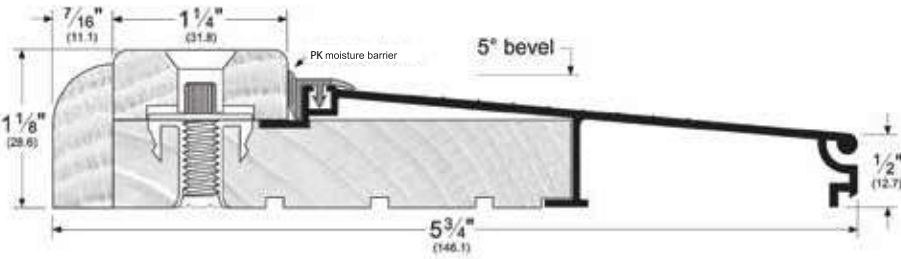


Add "NT" to the end of product number to order narrow trim (i.e. 94518AW36.5NT). Full width of sill changes from 4 7/8" to 4 11/16".

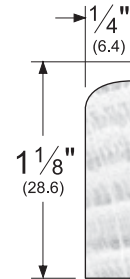


## 95518\_W

AVAILABLE FINISHES: A, D



Add "NT" to the end of product number to order narrow trim (i.e. 95518AW36.5NT). Full width of sill changes from 5 3/4" to 5 9/16".



NOTE: Products shown in this section may not be drawn to scale.

AVAILABLE FINISHES FOR PRODUCTS SHOWN ON THIS PAGE  
 A (Mill Finish Aluminum) D (Dark Bronze Anodized)

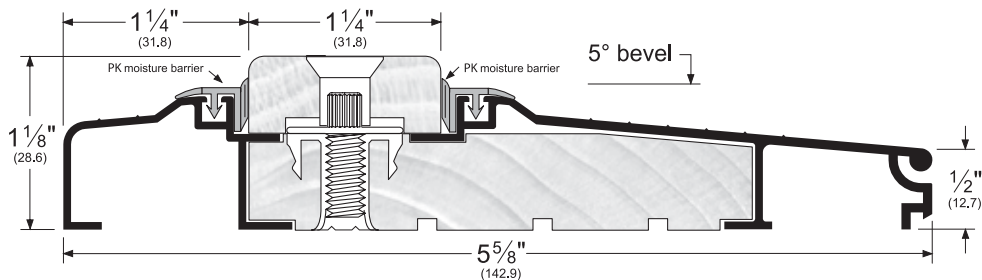


Experience a safer and more open world

## OUTSWING ADJUSTABLE OAK TOP SILLS

OS95518\_W

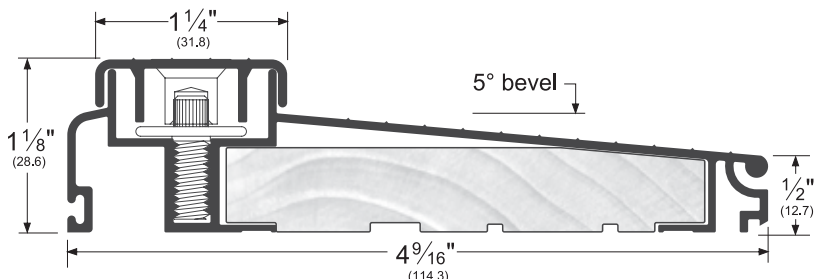
AVAILABLE FINISHES: A, D



## RESIDENTIAL ALL-ALUMINUM ADJUSTABLE SILLS

74518\_

AVAILABLE FINISHES: A, D



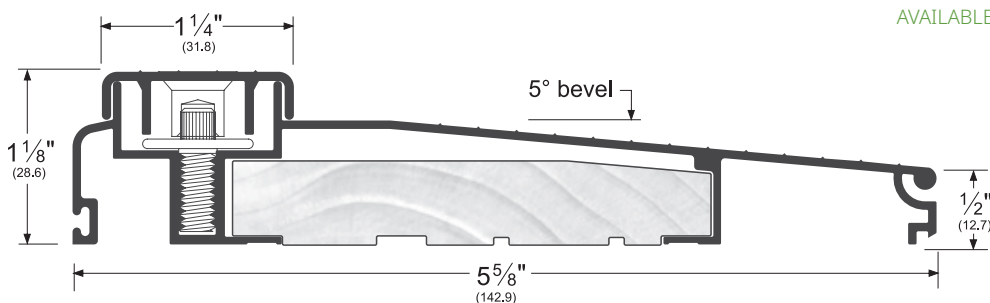
Available with optional Synthetic Wood Substrate

74518\_SYN

AVAILABLE FINISHES: A, D

75518\_

AVAILABLE FINISHES: A, D



Available with optional Synthetic Wood Substrate

75518\_SYN

AVAILABLE FINISHES: A, D

NOTE: Products shown in this section may not be drawn to scale.

AVAILABLE FINISHES FOR PRODUCTS SHOWN ON THIS PAGE  
 A (Mill Finish Aluminum) D (Dark Bronze Anodized)

800-824-3018 | [www.pemko.com](http://www.pemko.com)

Check the web site for the up-to-date catalog

Copyright © 2015-2025, ASSA ABLOY Accessories and Door Controls Group, Inc., an ASSA ABLOY Group company. All rights reserved.  
 Reproduction in whole or in part without the express written permission of ASSA ABLOY Accessories and Door Controls Group, Inc. is prohibited.

**PEMKO**  
**ASSA ABLOY**

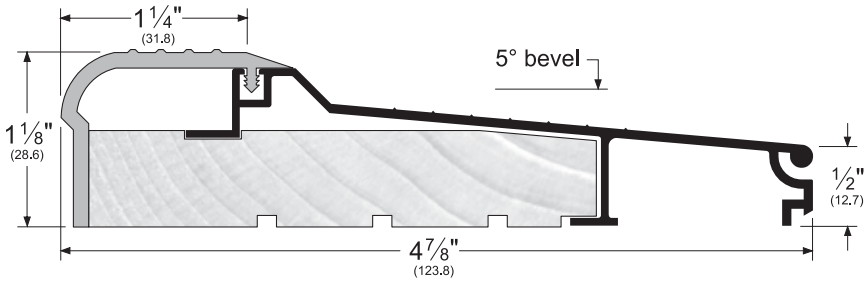
Experience a safer  
 and more open world

## FIXED ECO-V™ TOP RESIDENTIAL SILLS

- Fixed rigid Eco-V™ (V) cap includes ratchet lock feature which prevents moisture penetration and securely fastens Eco-V™ to aluminum extrusion

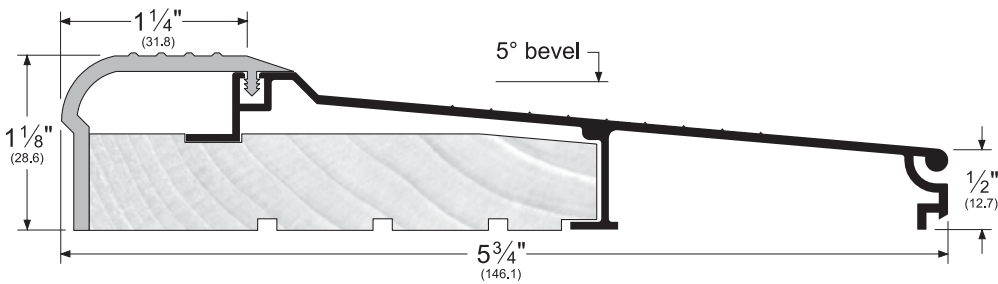
### N84518\_V

AVAILABLE FINISHES: A, D



### N85518\_V

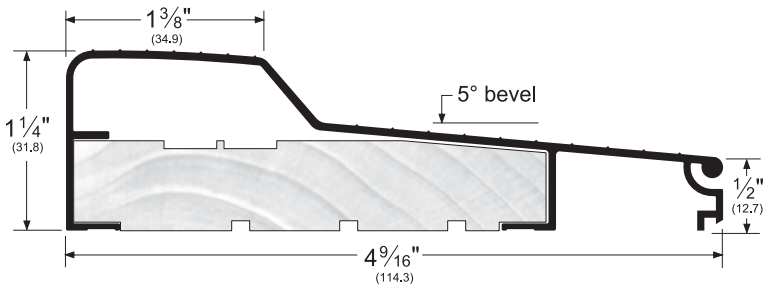
AVAILABLE FINISHES: A, D



## RESIDENTIAL ALL-ALUMINUM FIXED SILLS

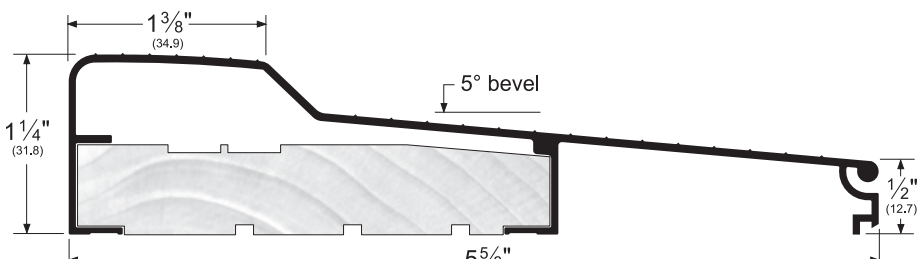
### 84514\_

AVAILABLE FINISHES: A, D



### 85514\_

AVAILABLE FINISHES: A, D



NOTE: Products shown in this section may not be drawn to scale.

AVAILABLE FINISHES FOR PRODUCTS SHOWN ON THIS PAGE  
 A (Mill Finish Aluminum) D (Dark Bronze Anodized)



Experience a safer  
and more open world

Copyright © 2015-2025, ASSA ABLOY Accessories and Door Controls Group, Inc., an ASSA ABLOY Group company. All rights reserved. Reproduction in whole or in part without the express written permission of ASSA ABLOY Accessories and Door Controls Group, Inc. is prohibited.

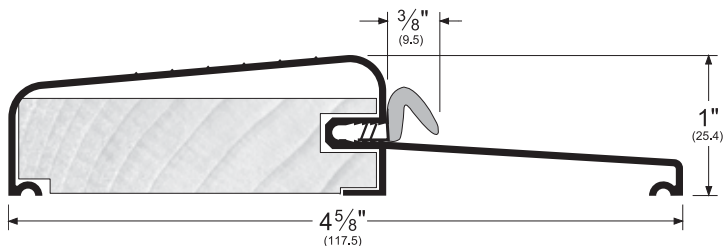
800-824-3018 | www.pemko.com  
 Check the web site for the up-to-date catalog

## OUTSWING FIXED BUMPER SILLS

- High dam design restricts water intrusion
- Supplied with high quality Q103 (Q) kerf-in seal
- 8452\_Q is extendable to interior

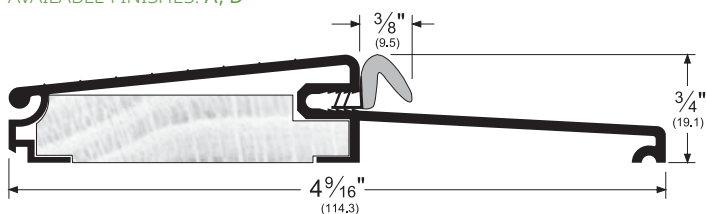
### 8451\_Q

AVAILABLE FINISHES: A, D



### 8452\_Q

AVAILABLE FINISHES: A, D

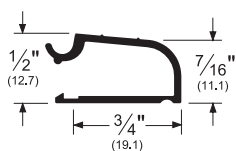


## EXTENDERS FOR ALL RESIDENTIAL SILLS

- Extenders fit all 4 7/8" wide and 5 3/4" wide extrusions
- Extenders are available for jambs as wide as 8 3/4"
- Not for use with 8451\_Q

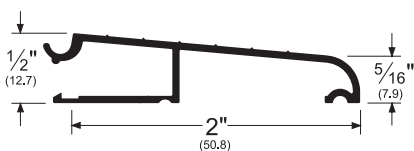
### EXT3/4\_

AVAILABLE FINISHES  
A, D



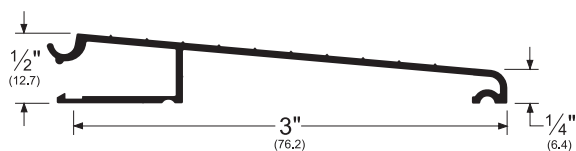
### EXT2\_

AVAILABLE FINISHES:  
A, D



### EXT3\_

AVAILABLE FINISHES:  
A, D



NOTE: Products shown in this section may not be drawn to scale.

AVAILABLE FINISHES FOR PRODUCTS SHOWN ON THIS PAGE

A (Mill Finish Aluminum) D (Dark Bronze Anodized)

For Kerf Gasket: BL (Black) W (White)

800-824-3018 | www.pemko.com

Check the web site for the up-to-date catalog

Copyright © 2015-2025, ASSA ABLOY Accessories and Door Controls Group, Inc., an ASSA ABLOY Group company. All rights reserved.  
Reproduction in whole or in part without the express written permission of ASSA ABLOY Accessories and Door Controls Group, Inc. is prohibited.

**PEMKO**  
**ASSA ABLOY**

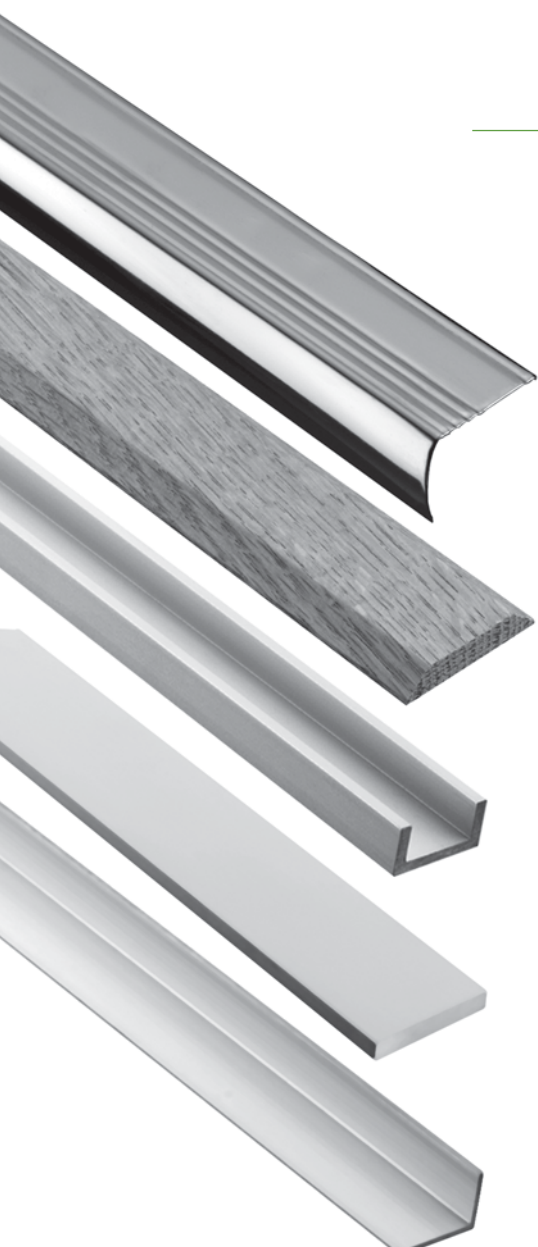
Experience a safer  
and more open world



Experience a safer  
and more open world

800-824-3018 | [www.pemko.com](http://www.pemko.com)  
Check the web site for the up-to-date catalog

Copyright © 2015-2025, ASSA ABLOY Accessories and Door Controls Group, Inc., an ASSA ABLOY Group company. All rights reserved.  
Reproduction in whole or in part without the express written permission of ASSA ABLOY Accessories and Door Controls Group, Inc. is prohibited.



# FLOOR MOLDING, TRIM & HANDYSHAPES™

## CONTENTS:

Carpet Bar and Seam Binding.....	272
Stair Nosing.....	272
Oak Seam Binding, Floor Edging, and Carpet Trim.....	272

## INDEX:

PRODUCT	PAGE	PRODUCT	PAGE
2120 .....	272	2219 .....	272
2132 .....	272	2219W.....	272
2132W.....	272	2500W .....	272
2134 .....	272		

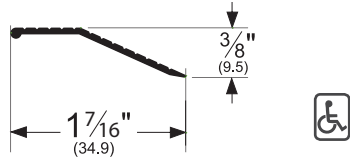
## CARPET BAR - STANDARD

- Carpet Bars protect and provide a neat trim for the edge of carpet

### 2132\_

AVAILABLE FINISHES: **A, G**  
AVAILABLE LENGTHS: **36", 72"**

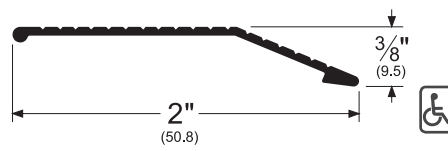
Provided with drive nails



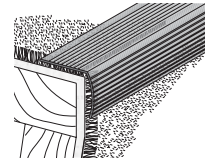
### 2134\_

AVAILABLE FINISHES: **A, G**  
AVAILABLE LENGTHS: **36", 72"**

Provided with drive nails



### Typical Installation



2120\_ shown installed

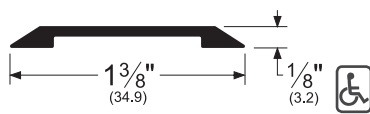
## SEAM BINDING

- Covers seams and joins in linoleum, tile, carpet, and other floor coverings

### 2219\_

AVAILABLE FINISHES: **A, G**  
AVAILABLE LENGTHS: **36", 72"**

Provided with drive nails

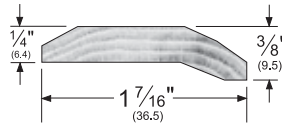


## OAK CARPET TRIM

- Covers and protects carpet edges or seams between two surfaces
- Oak is provided unfinished with countersunk holes and brass plated screws

### 2132W

AVAILABLE FINISH: **W**  
AVAILABLE LENGTHS: **36", 72"**



## STAIR NOSING

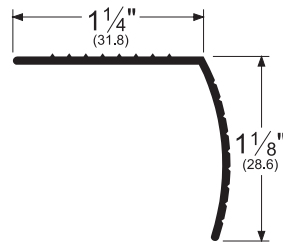
- Protects and improves the appearance of stair edges

### 2120\_

AVAILABLE FINISHES: **A, G**  
AVAILABLE LENGTHS: **36", 72"**

Provided with drive nails

Ribbed top surface and fluted face

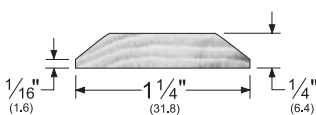


## OAK SEAM BINDING

- Oak Seam Binding covers seams between wood, tile, linoleum and other surfaces
- Oak is provided unfinished with countersunk holes and brass plated screws

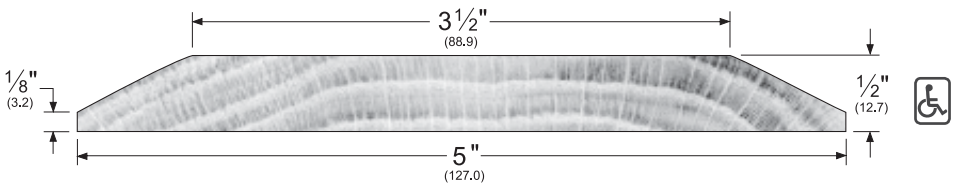
### 2219W

AVAILABLE LENGTHS: **36", 72"**



### 2500W

AVAILABLE LENGTHS: **36", 72"**



**PEMKO**  
**ASSA ABLOY**

Experience a safer  
and more open world

AVAILABLE FINISHES FOR PRODUCTS SHOWN ON THIS PAGE  
**A** (Mill Finish Aluminum) **G** (Gold Anodized) **W** (Solid Oak)

800-824-3018 | [www.pemko.com](http://www.pemko.com)  
Check the web site for the up-to-date catalog

Copyright © 2015-2025, ASSA ABLOY Accessories and Door Controls Group, Inc., an ASSA ABLOY Group company. All rights reserved.  
Reproduction in whole or in part without the express written permission of ASSA ABLOY Accessories and Door Controls Group, Inc. is prohibited.



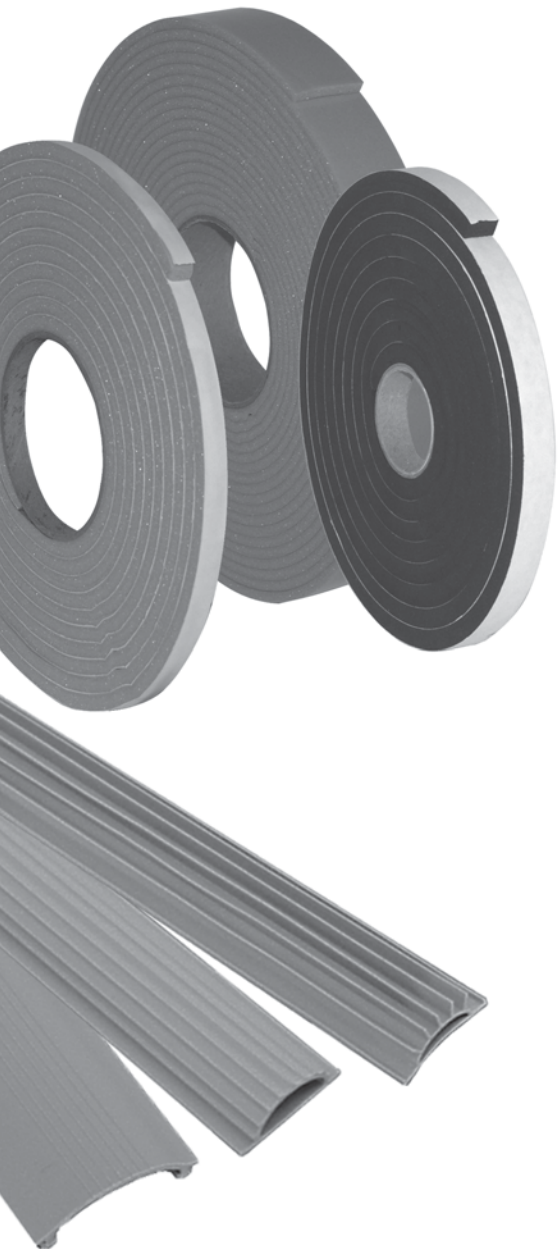
# PEMKO WEATHERIZATION PRODUCTS

## CONTENTS:

Foam Tape .....	274
Neoprene Tape .....	274
Miscellaneous Tape .....	275
Spring Bronze Weatherstrip .....	275
Garage Door Weatherstrip .....	275

## INDEX:

PRODUCT	PAGE	PRODUCT	PAGE	PRODUCT	PAGE
P51B17 .....	275	P266 .....	274	P391 .....	274
P240 .....	274	P361V16 .....	275	P392 .....	274
P241 .....	274	P364R16 .....	275	P393 .....	274
P241-30 .....	274	P365V16 .....	275	P394 .....	274
P242 .....	274	P380 .....	275	P396 .....	274
P243 .....	274	P381 .....	275	P397 .....	274
P244 .....	274	P382 .....	275	P398 .....	274
P260 .....	274	P384 .....	275	P480 .....	275
P261 .....	274	P385 .....	274	P484 .....	275
P262 .....	274	P386 .....	274	P490 .....	274
P263 .....	274	P387 .....	275	P491 .....	274
P264 .....	274	P388 .....	275	P493 .....	274
P265 .....	274	P390 .....	274	P497 .....	274



800-824-3018 | [www.pemko.com](http://www.pemko.com)  
 Check the web site for the up-to-date catalog

Copyright © 2015-2025, ASSA ABLOY Accessories and Door Controls Group, Inc., an ASSA ABLOY Group company. All rights reserved.  
 Reproduction in whole or in part without the express written permission of ASSA ABLOY Accessories and Door Controls Group, Inc. is prohibited.

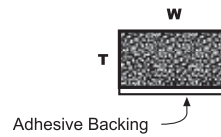
**PEMKO**  
**ASSA ABLOY**

Experience a safer  
 and more open world

## OPEN CELL POLYURETHANE FOAM TAPE

- Easily compressible self-adhesive weatherstrip

Product #	Color	Thickness (T)		Width (W)		Length
P390	Gray	3/16"	X	3/8"	X	17'
P391	White	1/4"	X	3/8"	X	17'
P392	Gray	3/8"	X	3/8"	X	17'
P393	Gray	1/2"	X	1/2"	X	17'
P394	Gray	1/2"	X	3/4"	X	17'
P396	Charcoal	1/4"	X	1/2"	X	17'
P397	White	1/8"	X	3/8"	X	17'
P398	Gray	1/4"	X	3/4"	X	17'



### Suggested Installation

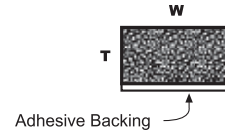


Open Cell Foam Tape installed on casement window.

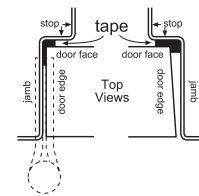
## CLOSED CELL SOFT PVC FOAM TAPE

- Flexible, conformable, and softly compressible self-adhesive weatherstrip
- Highly resilient: resists ultraviolet, oxygen and moisture degradation
- Seals against air and water, around doors and windows

Product #	Color	Thickness (T)		Width (W)		Length
P240	Gray	1/8"	X	1/4"	X	17'
P241	Gray	3/16"	X	3/8"	X	17'
P241-30	Gray	3/16"	X	3/8"	X	30'
P242	Gray	1/4"	X	3/8"	X	17'
P243	Gray	3/8"	X	3/8"	X	17'
P244	Gray	3/8"	X	3/4"	X	17'



### Suggested Installation

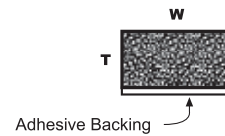


Top view of Closed Cell PVC Soft Foam Tape installed on door opening.

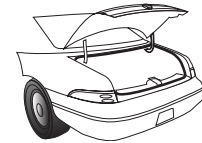
## CLOSED CELL FIRM PVC FOAM TAPE

- Moderately compressible self-adhesive weatherstrip

Product #	Color	Thickness (T)		Width (W)		Length
P260	Black	1/8"	X	1/4"	X	17'
P261	Black	3/16"	X	3/8"	X	17'
P262	Black	3/16"	X	3/4"	X	17'
P263	Black	5/16"	X	3/8"	X	10'
P264	Black	5/16"	X	3/4"	X	10'
P265	Black	7/16"	X	3/8"	X	10'
P266	Black	7/16"	X	3/4"	X	10'
P385	Gray	1/4"	X	1/2"	X	10'
P386	Gray	1/4"	X	3/4"	X	10'



### Suggested Installation

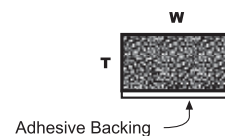


Closed Cell PVC Firm Foam Tape installed as car trunk weatherstrip.

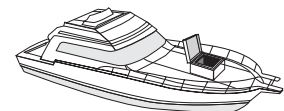
## EPDM SPONGE NEOPRENE TAPE

- Slightly compressible self-adhesive weatherstrip
- Resists deterioration and remains flexible at sub-zero temperatures
- Superior product for weatherstripping doors, windows, hatchways, lids and covers

Product #	Color	Thickness (T)		Width (W)		Length
P490	Gray	1/8"	X	3/8"	X	10'
P491	Gray	1/4"	X	3/8"	X	10'
P493	Gray	1/4"	X	1/2"	X	10'
P497	Gray	1/4"	X	3/4"	X	10'



### Suggested Installation



EPDM Sponge Neoprene Tape installed as boat hatch weatherstrip

**PEMKO**  
**ASSA ABLOY**

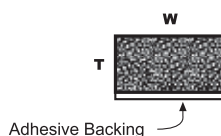
Experience a safer  
and more open world

## CLOSED CELL SPONGE NEOPRENE TAPE

- Superior product for weatherstripping homes, cars, trucks and boats
- Resists deterioration from oily substances
- Remains flexible at high and low temperatures

Product #	Color	Thickness (T)		Width (W)		Length
P380	Black	3/16"	x	3/8"	x	10'
P381	Black	5/16"	x	3/8"	x	10'
P382	Black	5/16"	x	3/4"	x	10'
P384	Black	7/16"	x	3/4"	x	10'
P387	Black	3/16"	x	3/4"	x	10'
P388	Black	5/16"	x	1/2"	x	10'
P484	Black	7/16"	x	3/8"	x	10'

### Suggested Installation

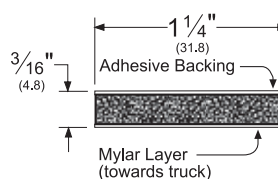


Closed Cell Sponge Neoprene Tape installed as car door weatherstrip.

## CLOSED CELL SPONGE VINYL CAMPER TAPE

- Mylar-backed tape cushions between camper and truck

Product #	Color	Thickness (T)		Width (W)		Length
P480	Gray	3/16"	x	1 1/4"	x	30'



### Suggested Installation

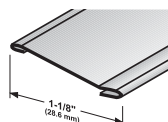


Sponge Vinyl Camper Tape installed as seal between camper and truck bed

## SPRING BRONZE WEATHERSTRIP

- For use on wood doors and wood casement windows
- .008" hemmed spring bronze (brass)
- Packaged with nails. Nails should be approximately 1 1/2" on center

Product #	Material	Width		Length
P51B17	Bronze	1 1/8"	x	17'

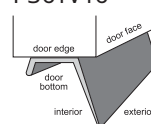


## GARAGE DOOR WEATHERSTRIP

- All garage door weatherstrips are furnished with roofing nails

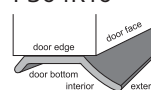
Product #	Color	Height		Width		Length
P361V16	Black	1 1/2"	x	1"	x	16'
P364R16	Black	3/4"	x	2 1/4"	x	16'
P365V16	Gray	1 3/4"	x	5/8"	x	16'

### P361V16



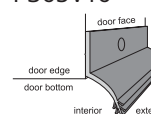
- Nails to door edge, bottom or jamb, closing gaps up to 1 1/2"

### P364R16



- Nails to door bottom, closing gaps up to 5/8"

### P365V16



- Nails to door edge, bottom or face, closing gaps up to 1 3/4"



Experience a safer  
and more open world

800-824-3018 | [www.pemko.com](http://www.pemko.com)  
Check the web site for the up-to-date catalog

Copyright © 2015-2025, ASSA ABLOY Accessories and Door Controls Group, Inc., an ASSA ABLOY Group company. All rights reserved.  
Reproduction in whole or in part without the express written permission of ASSA ABLOY Accessories and Door Controls Group, Inc. is prohibited.

# PEMKO FIRE GLAZING TAPE

---

## CONTENTS:

Fire Glazing Tape .....	278
Fire Glazing Tape Applications .....	279

## INDEX:

<u>PRODUCT</u>	<u>PAGE</u>	<u>PRODUCT</u>	<u>PAGE</u>
FG3000S45 .....	278	FG3000S90 .....	278
FG3000S45 .....	279	FG3000S90 .....	282
FG3000S45 .....	280	FG3000S90 .....	283
FG3000S45 .....	281	HSS2000 .....	283
FG3000S45 .....	284		

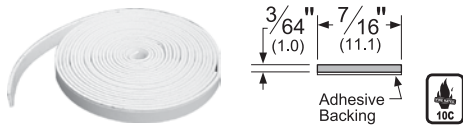


## FIRE GLAZING TAPE

- Verify all applications with your door and/or frame manufacturer
- **FG3000S45** and **FG3000S90** are specially formulated high-performance fire glazing tapes
- For exterior fire-rated applications, seal against moisture using standard industry methods

### FG3000S45

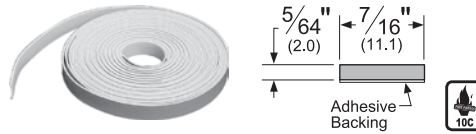
AVAILABLE LENGTHS: 7', 8', 14', 16'



Color: White

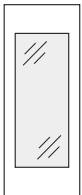
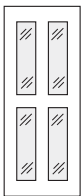
### FG3000S90

AVAILABLE LENGTHS: 8', 16'



Color: White

### Fire Glazing Tape in Larger Lite Applications

<p><b>Single Vision Lites (Wood/Hollow Metal Door)</b></p> 	<p>Maximum Height: 84"                  Maximum Width: 34"                  Maximum Total Square Inches (Visible Glass Area): 2,856</p>	<ul style="list-style-type: none"> <li>• In 20-, 45-, 60- and 90-minute rated wood and hollow metal doors with metal vision frames, the use of FG3000 fire glazing tape allows for much larger vision lites</li> <li>• In 20- and 45-minute rated hollow metal screens, the use of FG3000 fire glazing tape allows for much larger sidelites, borrowed lites and glass transoms</li> <li>• New allowable visible glass areas for vision lites in 20- and 45-minute rated wood and hollow metal doors with FG3000S45 is 2,856 square inches with a maximum height of 84" and a maximum width of 34"</li> </ul>
<p><b>Multiple Vision Lites (Hollow Metal Door)</b></p> 	<p>Maximum Height (Each Lite): 12"                  Maximum Width (Each Lite): 46"                  Maximum Combined Square Inches (All Visible Glass Areas): 2,208</p>	<ul style="list-style-type: none"> <li>• For 90-minute hollow metal doors with <b>FG3000</b> fire glazing tape, 12" x 46" vision lites are allowed, but the total number of lites must not exceed four (4) per door. The combined total visible glass area allowed is 2208 square inches</li> </ul>



Experience a safer and more open world

800-824-3018 | [www.pemko.com](http://www.pemko.com)  
 Check the web site for the up-to-date catalog

Copyright © 2015-2025, ASSA ABLOY Accessories and Door Controls Group, Inc., an ASSA ABLOY Group company. All rights reserved. Reproduction in whole or in part without the express written permission of ASSA ABLOY Accessories and Door Controls Group, Inc. is prohibited.

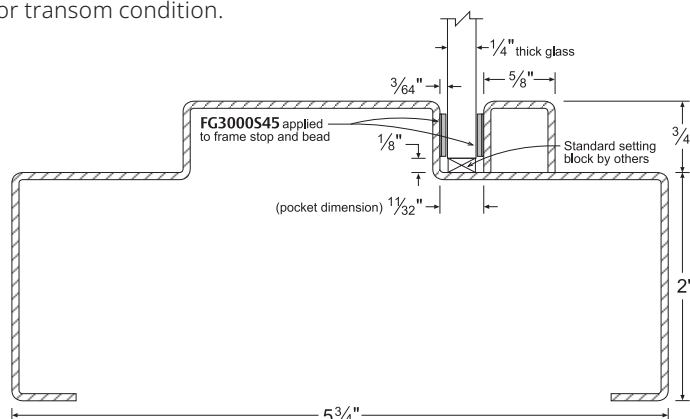
# FG3000S45 FIRE GLAZING TAPE IN 20- AND 45-MINUTE HOLLOW METAL FRAME (SCREEN)

## Sidelite/Borrowed Lite/Transom Lite Applications

- Verify all applications with your door and/or frame manufacturer
- For exterior fire-rated applications, a clear silicone caulk is recommended for water proofing

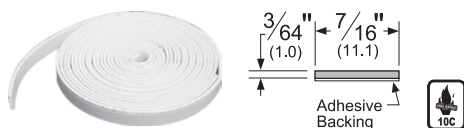
## Sectional View of Application

Hollow metal frame for a sidelite, borrowed lite or transom condition.



## FG3000S45

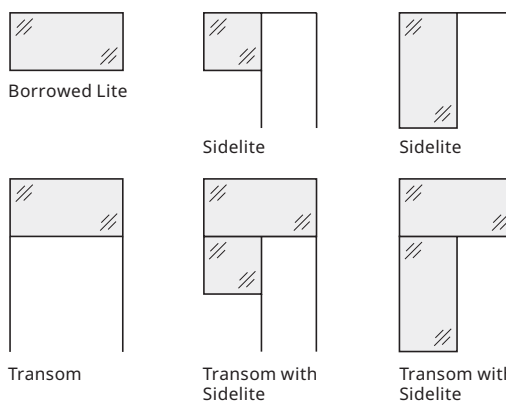
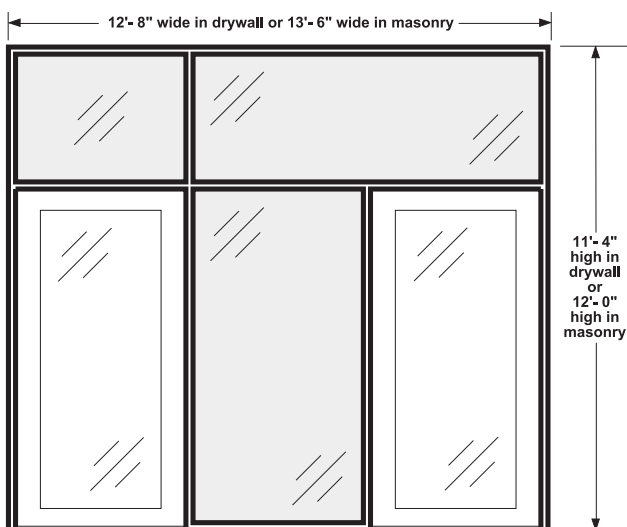
AVAILABLE LENGTHS: 7', 8', 14', 16'



Color: White

## Technical Data for 20- And 45-Minute Hollow Metal Screens Equipped with FG3000S45 (Sidelite/Borrowed Lite/Transom Lite Applications)

### Lite Configurations



The maximum visible glass area allowed for side lites, borrowed lites, and glass transoms is 4,704 square inches with a maximum length of 106" in any one direction.

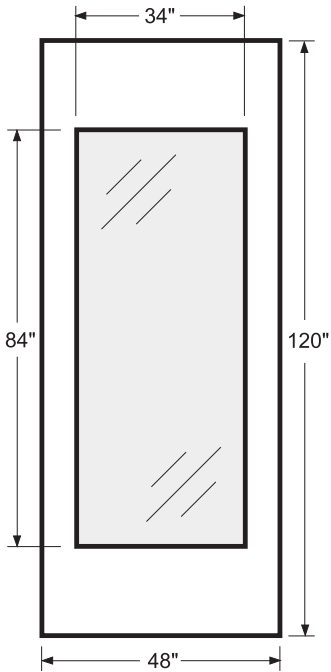
Lite Specifications	Hollow Metal Screen Specifications	Listing/Labeling Specifications
<p>Maximum Lite Size: 106" In Any One Direction</p> <p>Maximum Lite Combined Square Inches: Not To Exceed 4,704</p>	<p>Maximum Dimensions (Drywall): 12'8" X 11'4"</p> <p>Maximum Dimensions (Masonry): 13'6" X 12'0"</p> <p>Metal Requirements: Frames are restricted to a minimum of 16-gauge with 5/8" high stops and 18-gauge glazing bead with #8 fasteners at 9" maximum centers</p>	<ul style="list-style-type: none"> <li>• Door and frame must be manufactured by companies that are classified by <b>Underwriters Laboratories Inc.®</b> for the manufacturing and labeling of hollow metal fire doors. <b>Warnock Hersey (I.T.S.)</b> listings are also available through participating hollow metal manufacturers</li> <li>• Listed Glazing Products include: <ul style="list-style-type: none"> <li>- <b>Wire Glazing:</b> Pilkington, Asahi and Central Glass</li> </ul> </li> <li>• All vision lite kits must be listed fire door glass frames, packaged with FG3000S45 or FG3000S90</li> <li>• Individual door and frame manufacturers' modification procedures may vary slightly from the size listings shown</li> </ul>



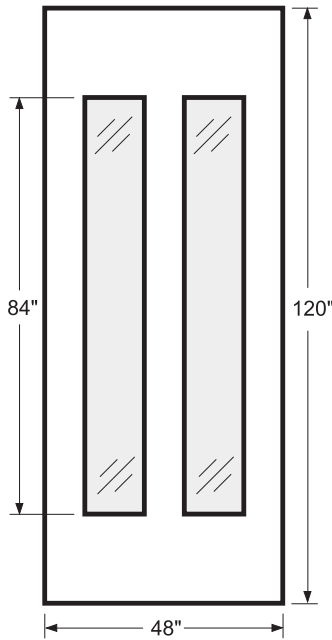
# FG3000S45 FIRE GLAZING TAPE IN 20- AND 45-MINUTE HOLLOW METAL DOOR

## Metal Vision Frame Applications

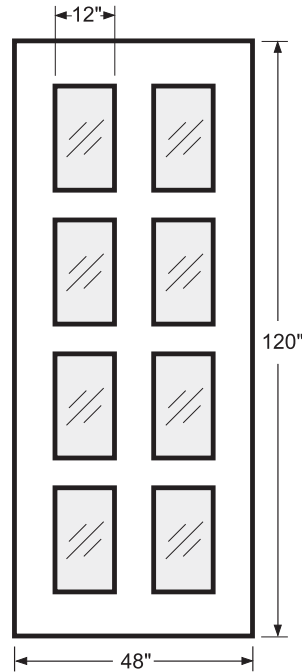
- Maximum hollow metal door size: 48" x 120" single, pairs approved
- Door and frame must be manufactured by companies that are classified by Underwriters Laboratories Inc.® for the manufacturing and labeling of hollow metal fire doors and frames. Warnock-Hersey (I.T.S.) listings are also available through participating hollow metal manufacturers
- For exterior fire rated applications, seal against moisture using standard industry methods
- Verify all applications with your door and/or frame manufacturer



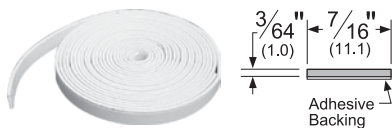
For 20 minute and 45 minute the maximum visible glass size allowed is 34" wide x 84" high or 2,856 square inches per vision lite.



Multiple vision lites are allowed in both the 20 minute and 45 minute, but the combined total visible glass area allowed is 2,856 square inches per door.



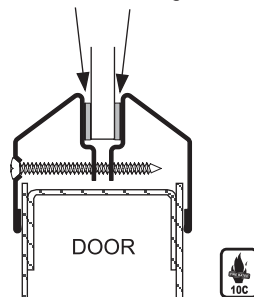
## FG3000S45



Color: White

## Sectional View of Applications

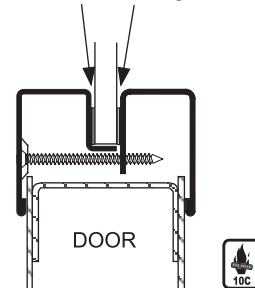
FG3000S45 applied between frame and glass



Beveled



FG3000S45 applied between frame and glass



Square



Experience a safer and more open world

800-824-3018 | www.pemko.com  
Check the web site for the up-to-date catalog

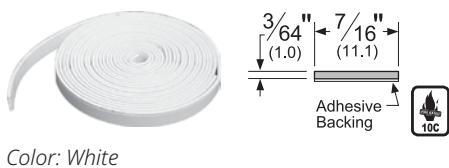
Copyright © 2015-2025, ASSA ABLOY Accessories and Door Controls Group, Inc., an ASSA ABLOY Group company. All rights reserved. Reproduction in whole or in part without the express written permission of ASSA ABLOY Accessories and Door Controls Group, Inc. is prohibited.



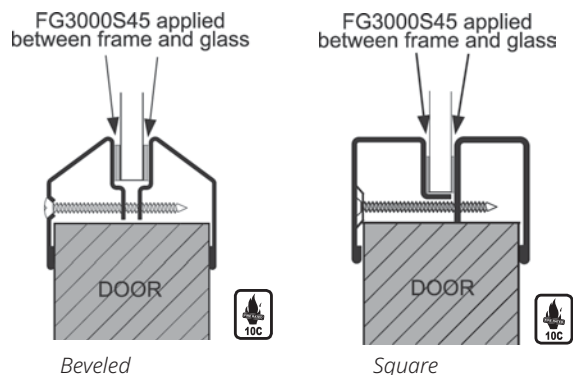
# FG3000S45 FIRE GLAZING TAPE IN 20- AND 45-MINUTE WOOD DOOR

## Metal Vision Frame Applications

### FG3000S45

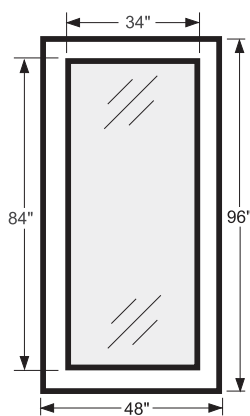


### Sectional View of Applications

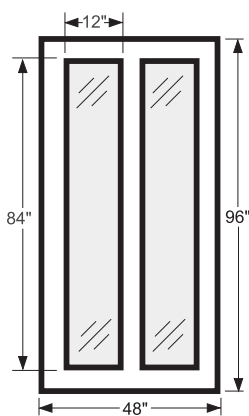


### Technical Data for 20- And 45-Minute Wood Doors Equipped with FG3000S45 (Metal Vision Frame, Single and Multiple Lite Applications)

#### Lite Configurations



Single Vision Lite



Multiple Vision Lites

The maximum visible glass area allowed for single lites is 34" wide x 84" high; for single and multiple lites, the total visible glass area allowed is 2,856 square inches per door.

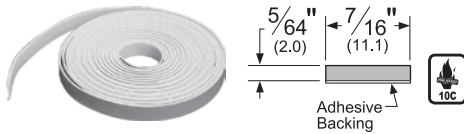
Lite Specifications	Door Specification	Listing/Labeling Specifications
<p><b>Maximum Dimensions (Single Lite):</b> 34" wide x 84" high, 2,856 square inches per lite</p> <p><b>Maximum Combined Dimensions (Multiple Lites):</b> Multiple vision lites are allowed in both the 20- and 45-minute doors, but the combined total visible glass area allowed is 2,856 square inches per door.</p>	<p><b>Maximum Dimensions:</b> Or both 20- and 45-minute doors, the maximum wood door size is 48" x 96" single, pairs approved</p>	<ul style="list-style-type: none"> <li>• Door and frame must be manufactured by companies that are classified by Underwriters Laboratories Inc.® for the manufacturing and labeling of hollow metal fire doors. Warnock Hersey (I.T.S.) listings are also available through participating hollow metal manufacturers</li> <li>• Listed Glazing Products include: <ul style="list-style-type: none"> <li>- <b>Wire Glazing:</b> Pilkington, Asahi and Central Glass</li> </ul> </li> <li>• Individual door and frame manufacturers' modification procedures may vary slightly from the size listings shown</li> </ul>

# FG3000S90 FIRE GLAZING TAPE IN 90-MINUTE HOLLOW METAL DOOR METAL VISION FRAME APPLICATIONS

- Verify all applications with your door and/or frame manufacturer
- For exterior fire-rated applications, seal against moisture using industry standard methods

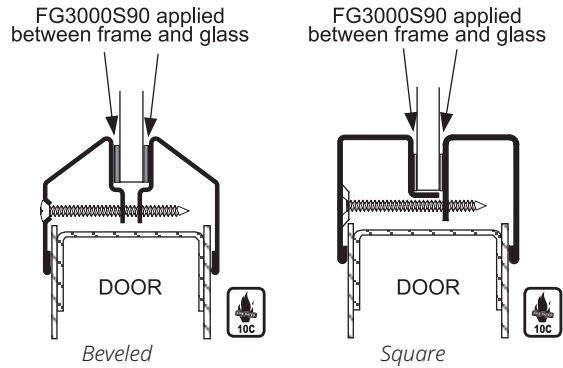
## FG3000S90

AVAILABLE LENGTHS: 8', 16'



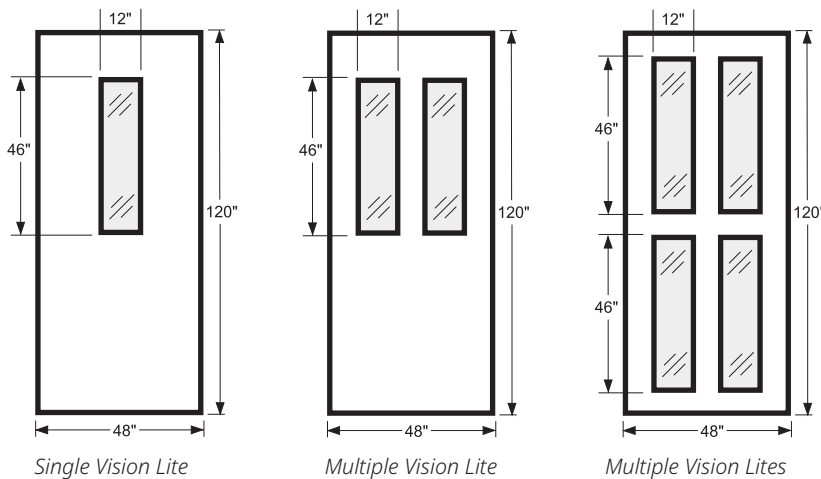
Color: White

## Sectional View of Applications



## Technical Data for 90-Minute Hollow Metal Doors Equipped with FG3000S90 (Metal Vision Frame, Single And Multiple Lite Applications)

### Lite Configurations



The maximum visible glass area allowed for single lites is 12" wide x 46" high or 552 square inches per vision lite; for multiple lites, the largest approved door configuration is two (2) vision lites at 12" wide x 46" high above two (2) vision lites at 12" wide x 46" high (as shown at far right). No more than four (4) lites are allowed per door, and the combined total visible glass area allowed is 2,208 square inches per door.

Lite Specifications	Door Specification	Listing/Labeling Specifications
<p><b>Maximum Dimensions (Single Lite):</b> 12" wide x 46" high, 552 square inches per lite</p> <p><b>Maximum Combined Dimensions (Multiple Lites):</b> Multiple vision lites are allowed in 90-minute doors, but the combined total visible glass area allowed is 2,208 square inches per door. No more than four (4) lites are allowed per door. The largest approved configuration is above two (2) vision lites at 12" wide x 46" high above two vision lites at 12" wide x 46" high.</p>	<p><b>Maximum Dimensions:</b> For 90-minute doors, the maximum hollow metal door size is 48" x 120" single, pairs approved.</p>	<ul style="list-style-type: none"> <li>• Door and frame must be manufactured by companies that are classified by Underwriters Laboratories Inc.® for the manufacturing and labeling of hollow metal fire doors. Warnock Hersey (I.T.S.) listings are also available through participating hollow metal manufacturers</li> <li>• Listed Glazing Products include: <ul style="list-style-type: none"> <li>– Wire Glazing: Pilkington, Asahi and Central Glass</li> </ul> </li> <li>• Individual door and frame manufacturers' modification procedures may vary slightly from the size listings shown.</li> </ul>



Experience a safer and more open world

800-824-3018 | www.pemko.com  
Check the web site for the up-to-date catalog

Copyright © 2015-2025, ASSA ABLOY Accessories and Door Controls Group, Inc., an ASSA ABLOY Group company. All rights reserved. Reproduction in whole or in part without the express written permission of ASSA ABLOY Accessories and Door Controls Group, Inc. is prohibited.

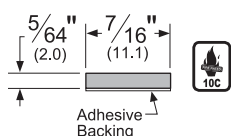
# FG3000S90 FIRE GLAZING TAPE IN 60- AND 90-MINUTE WOOD DOORS

## Metal Vision Frame Applications

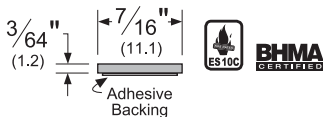
- Verify all applications with your door and/or frame manufacturer
- For exterior fire-rated applications, a clear silicone caulk is recommended for water proofing

### FG3000S90

AVAILABLE LENGTHS: 8', 16'

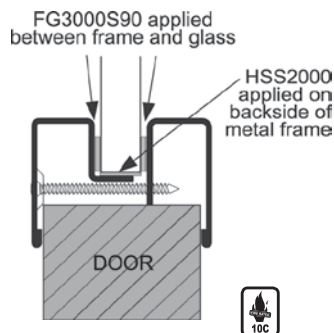


### HSS2000



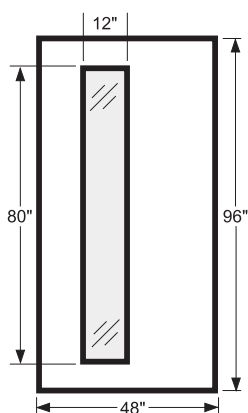
HSS2000 is required to be installed with FG3000S90 for positive pressure applications only. For more information about HSS2000, please see the Adhesive Gasketing section.

## Sectional View of Applications

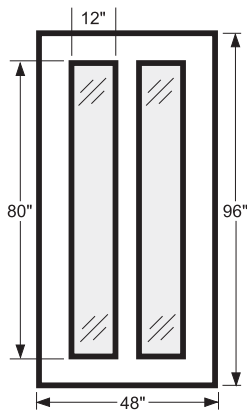


## Technical Data for 60- and 90-Minute Wood Doors Equipped with FG3000S90 & HSS2000 (Metal Vision Frame, Single and Multiple Lite Applications)

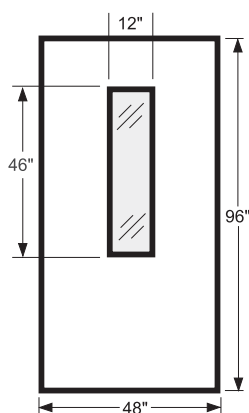
### Lite Configurations



Single Vision Lite, 60-Minute Door



Multiple Vision Lites, 60-Minute Door



Single Vision Lite, 90-Minute Door

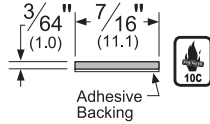
The maximum visible glass area allowed for 60-minute single lites is 12" wide x 80" high or 960 square inches per vision lite; 90-minute doors are allowed a maximum visible glass area of 12" wide x 46" high or 552 square inches per vision lite. Multiple lites (allowed on 60-minute doors only) have a maximum combined visible glass area of 1,920 square inches per door.

Lite Specifications	Door Specification	Listing/Labeling Specifications
<p><b>Maximum Dimensions (Single Lite, 60-Minute):</b> 12" wide x 80" high; 960 square inches per lite</p> <p><b>Maximum Dimensions (Single Lite, 90-Minute):</b> 12" wide x 46" high; 552 square inches per lite</p> <p><b>Maximum Combined Dimensions (Multiple Lites, 60-Minute):</b> Multiple vision lites are allowed in 60-minute doors only; the combined total visible glass area allowed is 1,920 square inches per door</p>	<p><b>Maximum Dimensions:</b> For both 60- and 90-minute doors, the maximum wood door size is 48" x 96" single, pairs approved</p>	<ul style="list-style-type: none"> <li>• Door must be manufactured by companies that are classified by Underwriters Laboratories Inc.® for the manufacturing and labeling of hollow metal fire doors. Warnock Hersey (I.T.S.) listings are also available through participating hollow metal manufacturers.</li> <li>• Listed Glazing Products include: <ul style="list-style-type: none"> <li>– Wire Glazing: Pilkington, Asahi and Central Glass</li> </ul> </li> <li>• Individual door and frame manufacturers' modification procedures may vary slightly from the size listings shown</li> <li>• HSS2000 is required on Positive Pressure applications only</li> </ul>

# FG3000S45 FIRE GLAZING TAPE IN 20- AND 45-MINUTE WOOD DOORS AND FRAMES

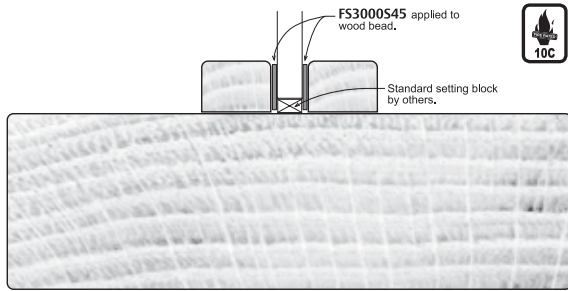
## FG3000S45

AVAILABLE LENGTHS:  
7', 8', 14', 16'



- Verify all applications with your door and/or frame manufacturer
- For exterior fire-rated applications, seal against moisture using standard industry methods
- Wood vision frames rated 20-minute and 45-minute
- Wood sidelite frames rated 20-minute and 45-minute
- Wood borrowed lite frames rated 20-minute and 45-minute

### Technical Data for 20-Minute Wood Sidelite Frame/Wood Lite Bead/Clear Tempered Glass



#### Maximum Visible Glazing Dimensions (Sidelite):

32 7/8" x 87 13/16"

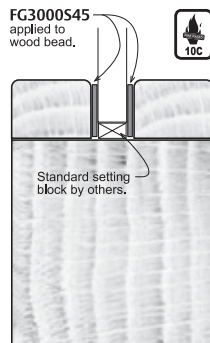
#### Glazing Materials (Sidelite):

- PyroEdge 20™ by Interedge Technologies
- Fireglass 20™ by Technical Glass Products

#### Listing/Labeling Specifications:

- Positive Pressure Tested and Listed
- Verify availability with door and frame manufacturer

### Technical Data For 20-Minute Full Lite Wood Door/Wood Lite Frame/Clear Tempered Glass



#### Maximum Visible Glazing Dimensions (Lite):

- (4'0" x 8'0" Door): 32 7/8" x 75 13/16"
- (4'0" x 8'0" Door): 32 7/8" x 75 13/16"

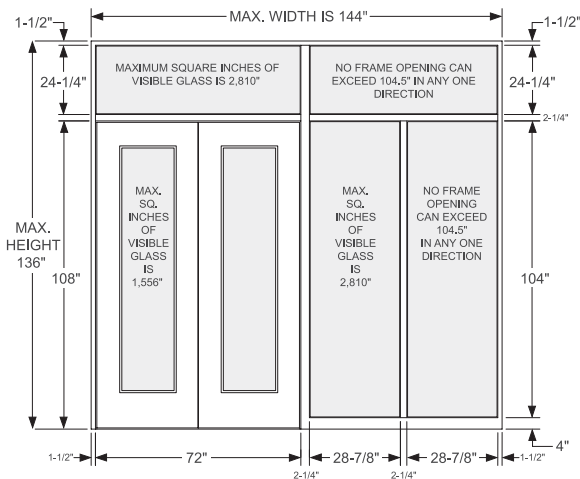
#### Glazing Materials (Sidelite):

- PyroEdge 20™ by Interedge Technologies
- Fireglass 20™ by Technical Glass Products

#### Listing/Labeling Specifications:

- Positive Pressure Tested and Listed
- Verify availability with door and frame manufacturer

### Technical Data for: 20- and 45-Minute Full Lite Wood Door/Wood Lite Frame With Wire Glass or FireLite™, 20- and 45-Minute Wood Sidelite Frame/Borrowed Lite Frame/Transom Lite Frame with Wire Glass or FireLite™



#### Lite Specifications (see diagram at left):

- Positive Pressure Tested and Listed
- Large visible glazing areas
- Wire Glass and FireLite™
- Verify availability with door and frame manufacturer.

#### Contact These Manufacturers:

##### Navy Island, Inc.

275 Marie Ave East, West St. Paul, MN 55118  
Phone: 651.451.4454, Fax: 651.451.4484

##### Eggers Industries - Frame Plant

1819 East River Street, Two Rivers, WI 54241  
Phone: 920.793.1351, Fax: 920.793.2958



Experience a safer  
and more open world

800-824-3018 | www.pemko.com  
Check the web site for the up-to-date catalog

Copyright © 2015-2025, ASSA ABLOY Accessories and Door Controls Group, Inc., an ASSA ABLOY Group company. All rights reserved. Reproduction in whole or in part without the express written permission of ASSA ABLOY Accessories and Door Controls Group, Inc. is prohibited.

# PEMKO DOOR & FRAME ACCESSORIES



## CONTENTS:

Glazing Bead/Spreader Bar .....	286
Reinforcements - Fillers .....	286
Reinforcements - Misc. ....	287

## INDEX:

<u>PRODUCT</u>	<u>PAGE</u>
CB1-50PK .....	286
CR2-5PK .....	287
GS2-20PK .....	286
GS3-20PK .....	286
GS4-20PK .....	286
HF3-25PK .....	286

800-824-3018 | [www.pemko.com](http://www.pemko.com)  
 Check the web site for the up-to-date catalog

Copyright © 2015-2025, ASSA ABLOY Accessories and Door Controls Group, Inc., an ASSA ABLOY Group company. All rights reserved.  
 Reproduction in whole or in part without the express written permission of ASSA ABLOY Accessories and Door Controls Group, Inc. is prohibited.

**PEMKO**  
**ASSA ABLOY**

Experience a safer  
 and more open world

## GLAZING BEAD/SPREADER BAR

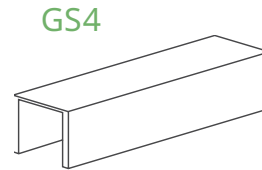
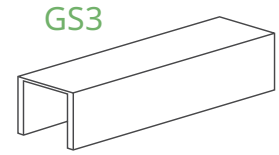
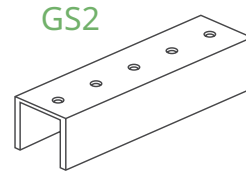
### Glazing Bead

- Sold in 20 packs only
- No fasteners supplied

- GS2-20PK**
- $\frac{5}{8}$ " H x  $\frac{3}{4}$ " W x 10'0" L (Outer Dimension)
  - Punched and countersunk for #8 screw
  - Hole spacings are 6" from ends and 12" on center
  - .049 18 gauge A40 galvanized steel

- GS3-20PK**
- $\frac{5}{8}$ " H x  $\frac{3}{4}$ " W x 10'0" L (Outer Dimension)
  - Blank (no holes)
  - .049 18 gauge A40 galvanized steel

- GS4-20PK**
- $\frac{5}{8}$ " H x  $\frac{3}{4}$ " W x 3'0" L (Outer Dimension)
  - Blank (no holes)
  - .049 18 gauge A40 galvanized steel

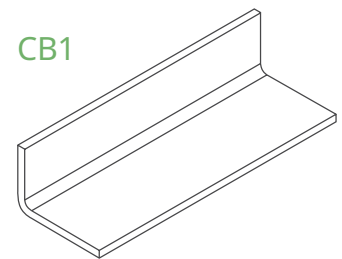


## REINFORCEMENTS - FILLERS

### Corner Fillers

- Holes in one side for anchoring  $1\frac{5}{8}$ " x  $1\frac{5}{8}$ "
- .065 - 16 gauge galvanized steel
- Sold in 50 packs only

- CB1-50PK**
- 2" face frame corner filler.
  - $\frac{5}{8}$ " x  $\frac{7}{16}$ " lip x  $1\frac{13}{16}$ " wide

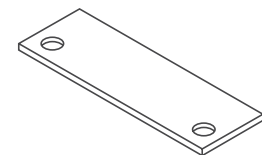


### Frame Hinge Filler Plate

- For  $1\frac{3}{4}$ " rabbeted frames
- Two (2) #12-24 x  $\frac{1}{2}$ " F.H.M.S.
- Sold in 25 packs only

- HF3-25PK**
- $4\frac{1}{2}$ " hinge filler for frames.
  - $1\frac{5}{8}$ " x  $4\frac{1}{2}$ " x .134 HRPO

HF3

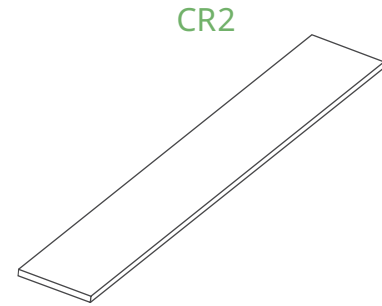


## REINFORCEMENTS - MISC.

### Weld-In Reinforcements

- Weld-in closer reinforcement
- CR2 sold in 5 packs only
- CR3 sold in 20 packs only

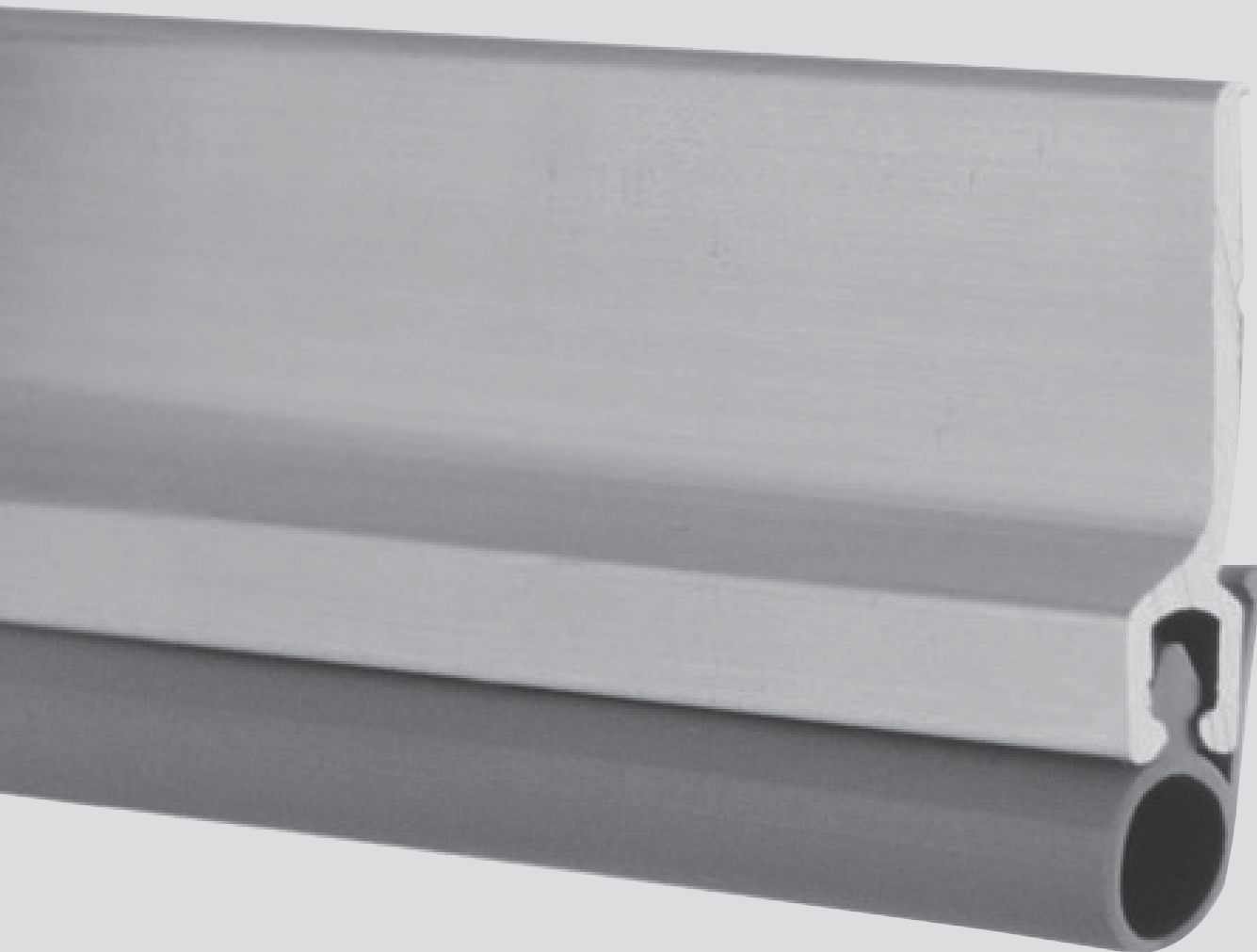
- CR2-5PK**
- 12" flat closer reinforcement for standard and PA mount closers
  - 1<sup>3</sup>/<sub>4</sub>" x 12" x .134 - 10 gauge HRPO



The ASSA ABLOY Group is the global leader in access solutions.  
Every day, we help billions of people experience a more open world.

ASSA ABLOY Opening Solutions leads the development within door openings and products for access solutions in homes, businesses and institutions. Our offering includes doors, frames, door and window hardware, mechanical and smart locks, access control and service.

**PEMKO**  
**ASSA ABLOY**



Pemko  
5535 Distribution Dr.  
Memphis, TN 38141  
[www.pemko.com](http://www.pemko.com)  
[orders.pemko@assaabloy.com](mailto:orders.pemko@assaabloy.com)

Memphis, TN USA  
P: 800 824 3018  
F: 800 243 3656

Ventura, CA USA  
P: 800 283 9988  
F: 800 283 4050

Vaughan, ON CA  
P: 800 461 3007  
F: 800 461 8989