



**BEST**   
dormakaba Group

# Precision 2000 Series Touchbar Exit Devices by BEST

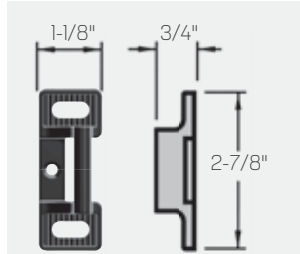


Strength by design. Simply BEST.

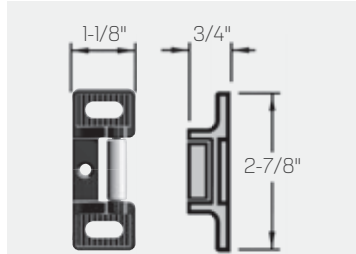
# Strikes

## Rim Exit Devices

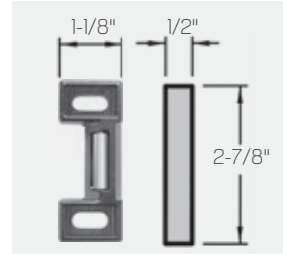
For Minimum Stile Widths see page 37.



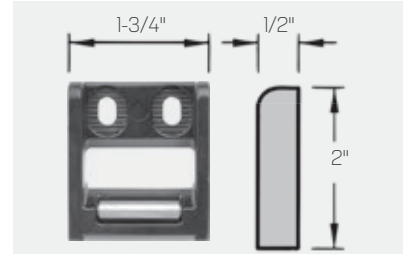
**S300 Standard**  
For Rim and Top Strike for SVR Devices. Black Powder Coated Investment Cast Stainless Steel.



**S301 Optional**  
For Rim and Top Strike for SVR Devices. Black Powder Coated Investment Cast, Stainless Steel Base and Roller.



**S458 Optional**  
For Rim Devices. Black Powder Coated Investment Cast, Stainless Steel Base and Roller.

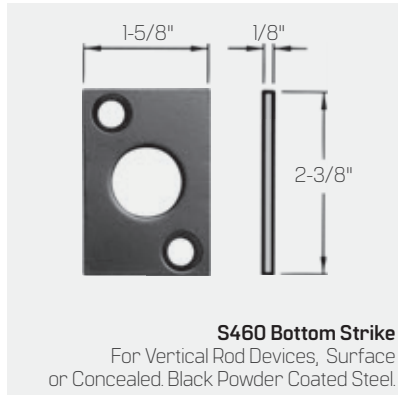


**S988 Standard**  
For Narrow Stile Rim Devices. Black Powder Coated Investment Cast, Stainless Steel Base and Roller. Includes Rub Strip.

## Vertical Rod Exit Devices

### Top Strike

For Surface Vertical Rod Devices, S300 standard and S301 optional, see above.



**S460 Bottom Strike**  
For Vertical Rod Devices, Surface or Concealed. Black Powder Coated Steel.



**S519 Top Strike**  
For Concealed Vertical Rod Devices. Black Powder Coated Investment Cast Stainless Steel.

### 2100 Rim x Vertical Rod Exit Device

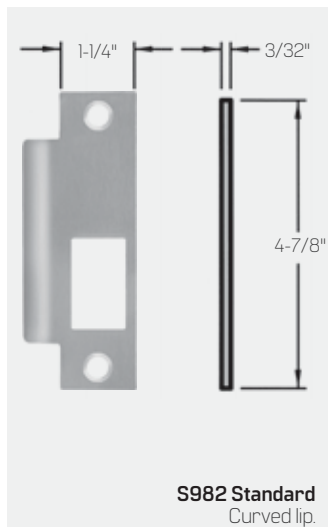


**S459 Optional Rim Strike**  
For Non Fire Rated 5100 Rim x Vertical Rod Device on a Pair of Doors without a Mullion. Black Powder Coated Investment Cast Stainless Steel.

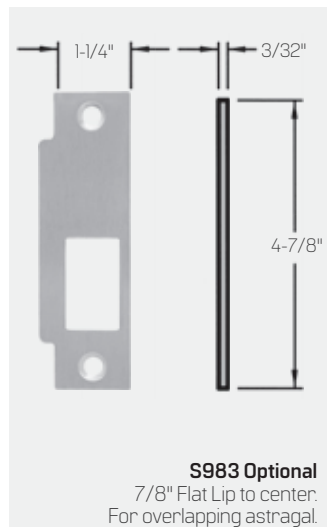
## Mortise Exit Devices

### Open Back Strikes

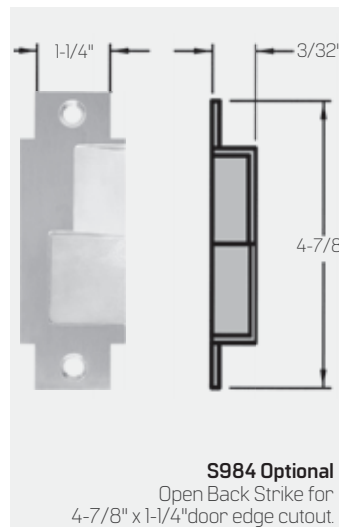
Allow a pair of doors to open and close independently. Strikes are handed. Specify Hand same as Mortise Lock (e.g. RHRB).



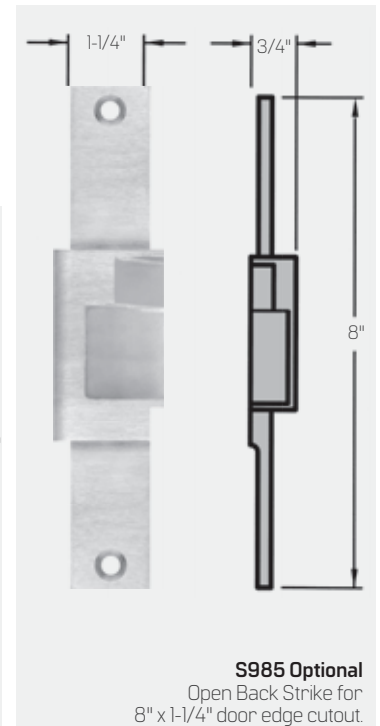
**S982 Standard**  
Curved lip.



**S983 Optional**  
7/8" Flat Lip to center. For overlapping astragal.



**S984 Optional**  
Open Back Strike for 4-7/8" x 1-1/4" door edge cutout.



**S985 Optional**  
Open Back Strike for 8" x 1-1/4" door edge cutout.