

# IW Electric Switch Locks

## IW7A1 Specifications

**Contacts** – Silver or gold flash

**Contact rating** – 28 VDC, 10 amps resistive

28 VDC, 3 amps inductive, lamp

125 VAC, 10.1 amps resistive

250 VAC, 10.1 amps resistive

**Horsepower rating** – 125 VAC, 1/4 HP

**Operating temperature** – -85°F to +257°F [-65° to +125°C]

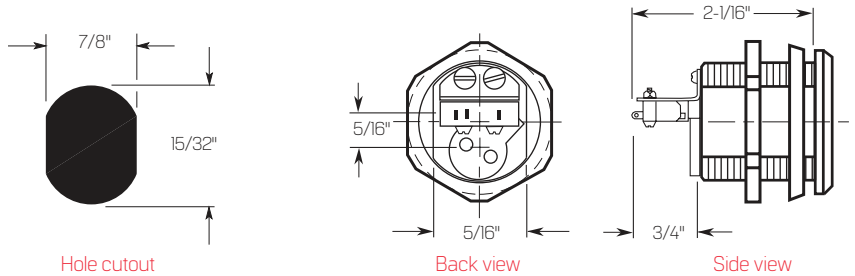
**Switch type** – SPDT (Single pole-double throw)

**Switch lock action** – Maintained

**Number of switches per assembly** – One



IW7A1



Key & switch positions

Remove key

Optional boxes



Key pos.1– Swt. pos.1

Key pos.2– Swt. pos.2

Key pos.1 only - Swt. pos.1

- SWR
- INT
- OCT

## IW7B1 & IW7J1 Specifications

**Contact rating** – 30 VDC, 15 amps, resistive

125 VDC, 0.6 amps, resistive

250 VDC, 0.3 amps, resistive

125 VAC, 15 amps, resistive

25 VAC, 5 amps, lamp

250 VAC, 15 amps, resistive

**Horsepower rating** – 125–250 VAC, 1/2 HP

**Operating temperature** – up to +176°F [+80°C]

**Switch type** – SPDT (Single pole-double throw)

**Switch lock action** – Maintained

**Number of switches per assembly** – IW7B1: One,

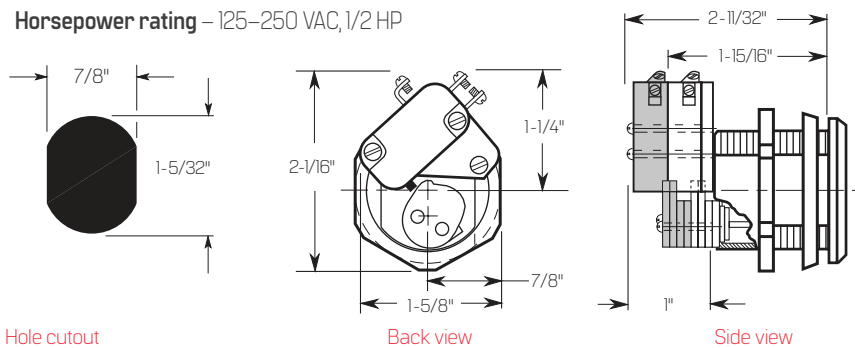
IW7J1: Two



IW7B1—One switch



IW7J1—Two switches



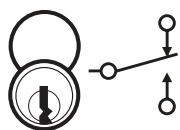
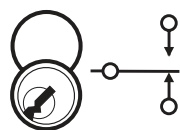
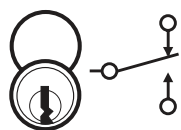
Hole cutout

The shaded area shows the additional IW7J3 switch and cam length.

Key & switch positions

Remove key

Optional boxes



Key pos.1– Swt. pos.1

Key pos.2– Swt. pos.2

Key pos.1 only - Swt. pos.1

- OC1 (IW7B1 only)
- OC2
- INT
- SWR