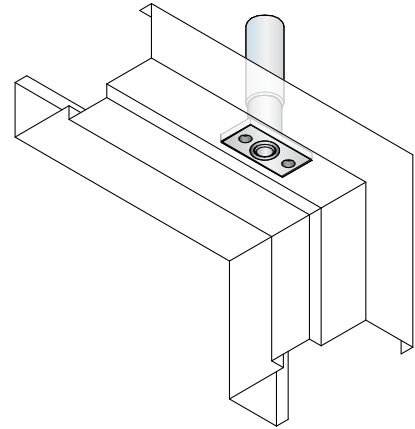




100 / 200 Conventional Mortise Bolt Lock



110/210 Series

- 110IV** Failsafe
- 210HV** Failsecure

The failsafe 110 and failsecure 210 are the most basic bolt locks available. The bolt assembly is adjustable forward up to 1" (25.4mm) past the face plate to accommodate wide door gaps or special applications (see figures 1 & 2).

Not for use in wood frames.

160/260 Series

- 160IV** Failsafe
- 260HV** Failsecure

The failsafe 160 and failsecure 260 bolt locks are equipped with an auto relock switch that keeps the bolt retracted when the door is open and causes the door to lock when closed. The auto relock switch and the bolt assembly are both adjustable for wide door gaps. (see Fig. 3 & 4).

Not for use in wood frames.

Specification

Electrical Specifications

Voltage: Dual 12/24VDC
 450mA @ 24VDC
 900mA @ 12VDC

Mechanical Specifications

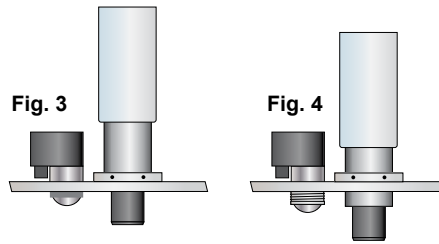
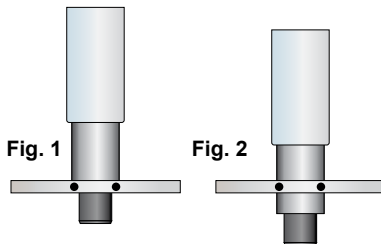
Finish: 628 Anodized Aluminum

Faceplate: 2-3/4"H x 1-1/4"W x 0.25"D
 (69.85 x 31.75 x 6.35mm)

Strike: 2-3/4"H x 1-1/4"W x 0.125"D
 (69.85 x 31.75 x 3.175mm)

Bolt: 5/8" dia. x 1/2" throw
 (15.87mm x 12.7mm)

Depth: 5" (127mm)



5 YEAR LIMITED WARRANTY

