

Electric Strikes

1600 Electric Strike

Works with all brands of cylindrical and mortise locksets, with or without a deadbolt



Also available in a Complete One Box Solution

The 1600 Series electric strike accommodates up to a 1" deadbolt with enhanced vertical cavity spacing.

The 1600 Series Electric Strike sets a new standard in the industry by offering dynamic integrated adjustability and field configurable options compatible with any cylindrical or mortise lock. The modular design of the platform makes stocking and installing easier with interchangeable faceplates and accessories. For the first time, the aesthetics of an electric strike are complementary to other surrounding door hardware and blend in with the opening due to the fully finished design, available in eight finishes.

Features

Standard Features

- Stainless steel construction
- Tamper resistant
- Static strength 1,500 lbs
- Dynamic strength 70 ft-lbs
- Endurance 1 million cycles
- Field selectable fail safe/fail secure
- Non-handed
- Interchangeable faceplates and accessories
- Field replaceable components
- Fully finished faceplate, keeper, case and trim
- Field adjustable integrated shim
- Strike body depth 1-5/8" [41.3mm]
- SecuriCare five-year, no-fault, no questions asked warranty

Optional Features

- LM Lock monitor
- DLM Dual lock monitors
- LMS Lock monitor and strike monitor
- DLMS Dual lock monitors and strike monitor

Accessories

- 157 Torx screws
- HESCUT-MTK Metal template kit
- 1600-104-xxx Lip extension trim adapter (finish to match)
- 1600-106-xxx 1006 adapter and trim enhancer kit (finish to match)
- OPT-1SRK Spring replacement kit
- OPT-1LM Single lock monitor
- OPT-1DLM Dual lock monitors
- MOD-1SOL Solenoid replacement module

For easy 3D instructions, download the BILT mobile app



Grade 1



SecuriCare Warranty



Mortise Locks with Deadbolt



Mortise Locks without Deadbolt



Cylindrical Locksets



Field Selectable (Fail secure / Fail safe)



Dual Voltage 12/24



PoE Friendly



Fire Rated



Windstorm Resistant



Outdoor Rated



Burglary Rated

h.e.s.

ASSA ABLOY

1600 Electric Strike

Specifications

Certifications

- ANSI/BHMA A156.31, Grade 1
- UL 1034 burglary-resistant listed and suitable for outdoor use
- UL 294 listed
- RoHS compliant
- UL 10C fire rated, 3-hour single door (fail secure only)
- UL 10C fire rated, 1-1/2 hour double door (fail secure only)
- CAN/ULC-S104 fire door conformant
- NFPA-252 fire door compliant
- ASTM-E152 fire door compliant
- California Fire Marshal listed
- ANSI/SDI A250.13 windstorm resistant
- Florida Building Code approved TAS 201, 202, 203
- ANSI-ASTM E330

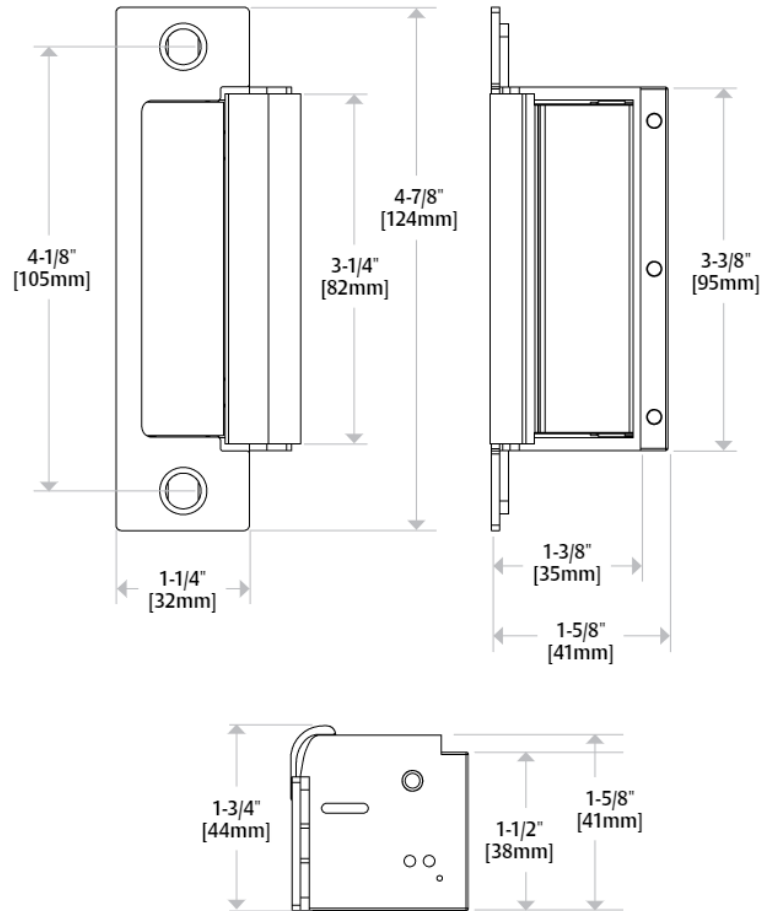
Frame Application

- Metal
- Wood

Electrical (DC Continuous Duty)

- Dual voltage 12/24 VDC/VAC
- 240 mA at 12 VDC/120 mA at 24 VDC
- PoE friendly

Dimensions



How to Order

SERIES	MODEL	FINISH*	OPTION (S)
1600	- CS	- 630	- LM
1600 Universal Electric Strike	(blank) Electric strike body only, faceplates ordered separately	605 Bright Brass	(blank) No Monitor
	CS* Complete Electric Strike; includes 1LB faceplate kit for latchbolts and 1DB faceplate kit for deadbolts	606 Satin Brass	LM Lock Monitor
	CLB* Complete Electric Strike for Latchbolt Locks; includes 1LB faceplate kit for latchbolts	612 Satin Bronze	DLM Dual Lock Monitor
	CDB* Complete Electric Strike for Deadbolt Locks; includes 1DB faceplate kit for deadbolts	613 Bronze Toned	LMS Lock Monitor and Strike Monitor
		613E Dark Oxidized Satin Bronze Powder	DLMS Dual Lock Monitors and Strike Monitor
		629 Bright Stainless Steel	
		630 Satin Stainless Steel	
		BSP Black Suede Powder	

*Complete Pacs are only available in the 630 finish

NOTE: Electric strike compatibility is determined at time of electric strike product release. ASSA ABLOY is not responsible for incompatibility of products that have changed in design or craftsmanship by their respective manufacturers. When compatibility is a concern, contact Customer Support for application assistance.