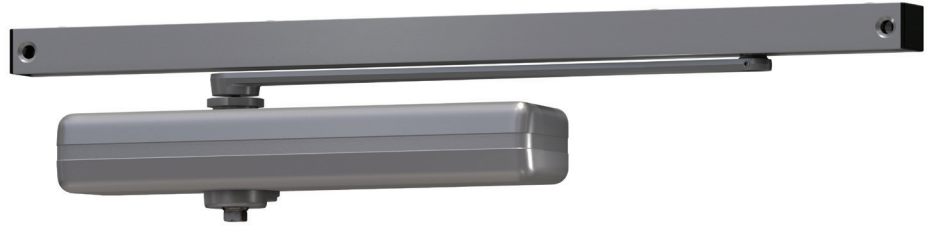


1460T Series



The 1460T is a fully universal slim line, single lever (track) arm closer designed for interior use on narrow head frames and top rails. The modern styling and small projection make it an excellent choice for interior doors.

Features

Certifications	Grade 1 - ANSI A156.4, UL 10C, ADA, 100 hour salt spray, meets BAA - Buy American Act	Cover	<ul style="list-style-type: none"> ▪ Slim line plastic cover, standard ▪ Full plastic or full metal designers series, optional
Body construction	<ul style="list-style-type: none"> ▪ Cast iron body ▪ Full complement bearing ▪ 1 1/4" diameter piston ▪ 5/8" diameter single heat treated pinion journal 	Fasteners	Self reaming and tapping screws (SRT)
Fluid	All weather fluid	Mounting	Hinge (pull side), top jamb (pull side), stop face (push side)
Handing	Non-handed	Arms	Single level with track roller
Templating	Peel-n-Stick templates - 1" x 7 1/2" mounting hole pattern	Finishes/colors/ powder coat	<ul style="list-style-type: none"> ▪ 689 Aluminum ▪ 690 Statuary Bronze ▪ 691 Light Bronze ▪ 693 Black ▪ 695 Dark Bronze ▪ 696 Brass ▪ Custom colors optional
Size	<ul style="list-style-type: none"> ▪ 1460T adjustable size 2-4 ▪ 1461T adjustable size 1-2 		<ul style="list-style-type: none"> ▪ Optional SRI primer - powder coat only ▪ Optional plated finishes
Warranty	30 years		

Special templates | Customized installation templates or products may be available to solve non-standard applications. Contact LCN Product Support for assistance.

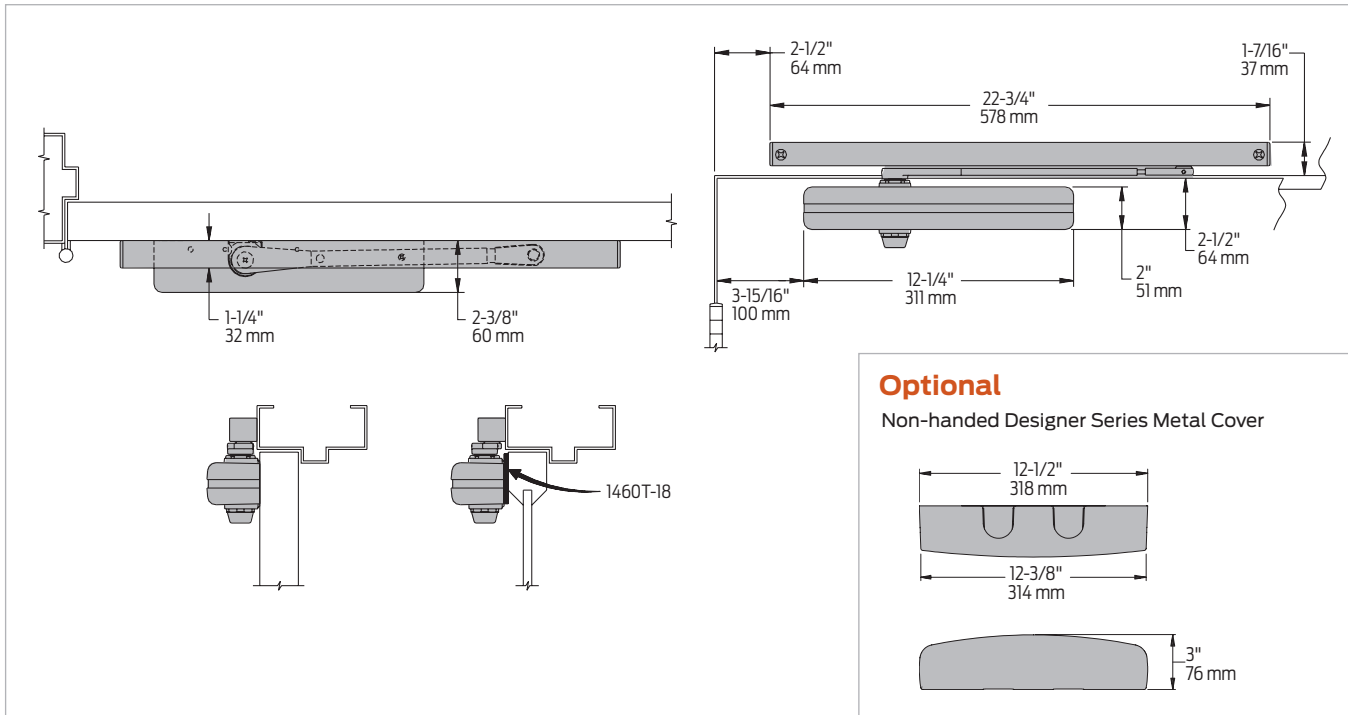
Mounting	Finish	Cover	Cylinder	Arm function*
Hinge (pull) side	Plastic	Designer series	Regular (double)	Hold Open
Top jamb (pull)	Metal	Non-handed	Standard (single)	EDA/HEDA
Top jamb (push)	Plated	Non-sized	Heavy duty	CUSH/HCLUSH
Parallel arm		Accessibility		SCUSH/SHCLUSH
Stop face		Delay action	180°	
Powder coat			115°	

■ Available ■ Not available

♿ Closer available with less than 5.0 lbs. opening force on 36" door.
 * Maximum opening/hold open point with standard template.
 D For designer series only

Mounting details

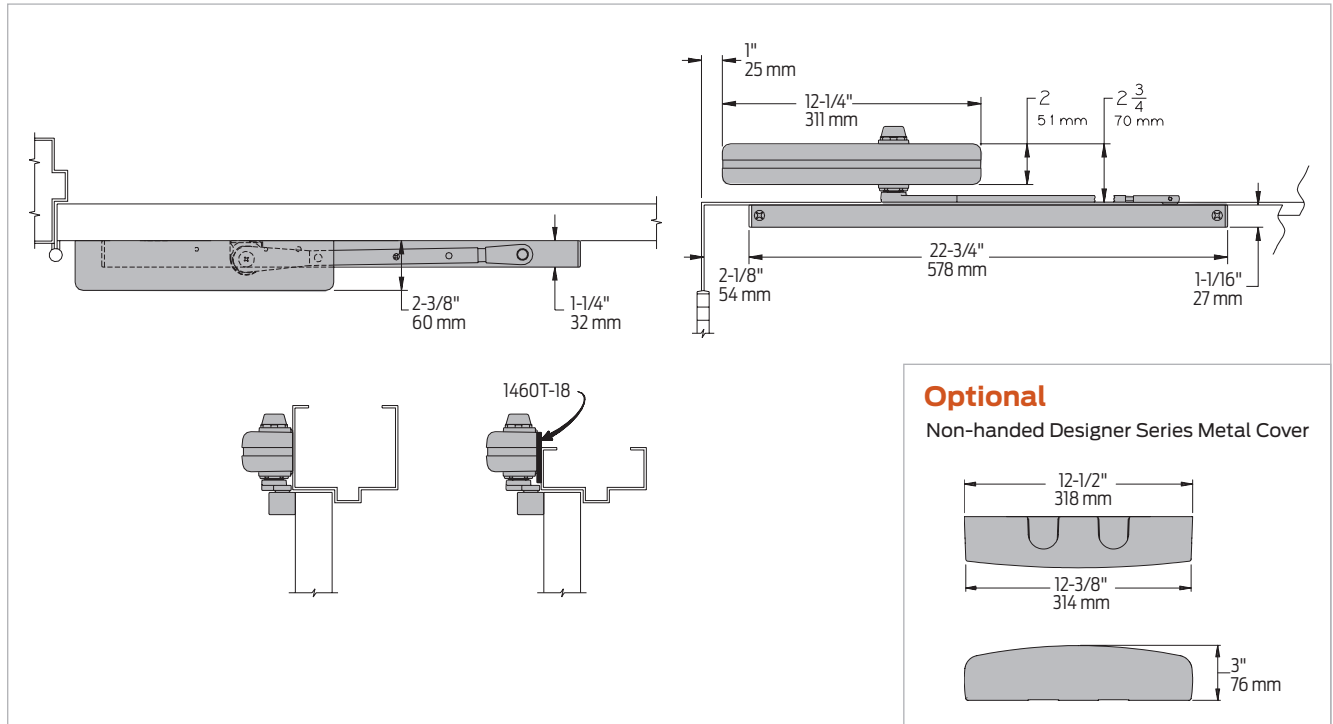
Hinge (pull side) mounting



Butt hinges	Should not exceed 5" (127 mm) in width
Auxiliary stop	<ul style="list-style-type: none"> Recommended where a door cannot swing 180° Optional track bumper assembly assists backcheck in cushioning the opening swing of the door. It is not intended to replace an auxiliary stop
Reveal	Should not exceed 1/8" (3 mm)
Top rail	<ul style="list-style-type: none"> Less than 2 1/2" (64 mm) requires plate, 1460T-18 Plate requires 1 1/2" (38 mm) minimum With Full Plastic Cover, use plate, 1460T-18FC With Designer Series Metal Cover, use plate, 1460T-18DS
Clearance	2 3/8" (60 mm) behind door required for installation
Maximum opening	<ul style="list-style-type: none"> Templating allows up to 180°, trim and frame permitting, limited to 115° when optional bumper is installed Hold open points at 85°, 90°, 95°, 100°, 110° or 115° with Hold Open Tracks Please note that many track style door closers are capable of allowing 180° of door swing Be aware that the majority of track style closers are at their weakest closing force in the 180°-130° range Consult factory for applications where door must swing 180°

Mounting details

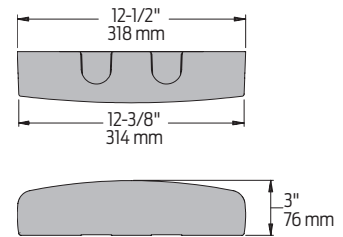
Top jamb (pull side) mounting



Butt hinges	Should not exceed 5" (127 mm) in width
Auxiliary stop	<ul style="list-style-type: none"> Recommended where a door cannot swing 180° Track bumper assembly assists backcheck in cushioning the opening swing of the door. It is not intended to replace an auxiliary stop
Reveal	Should not exceed 1/8" (3 mm)
Top rail	Minimum 1 1/4" (32 mm)
Head frame	<ul style="list-style-type: none"> Less than 2 3/4" (70 mm) requires plate, 1460T-18 Plate requires 1 3/4" (44 mm) minimum With Full Plastic Cover, use plate, 1460T-18FC With Designer Series Metal Cover, use plate, 1460T-18DS
Clearance	1 1/4" (32 mm) behind door for installations
Maximum opening	<ul style="list-style-type: none"> Templating allows up to 180°, limited to 115° when optional bumper is installed Hold open ramp and roller design allows for variable angles Please note that many track style door closers are capable of allowing 180° of door swing Be aware that the majority of track style closers are at their weakest closing force in the 180° – 130° range Consult factory for applications where door must swing 180°

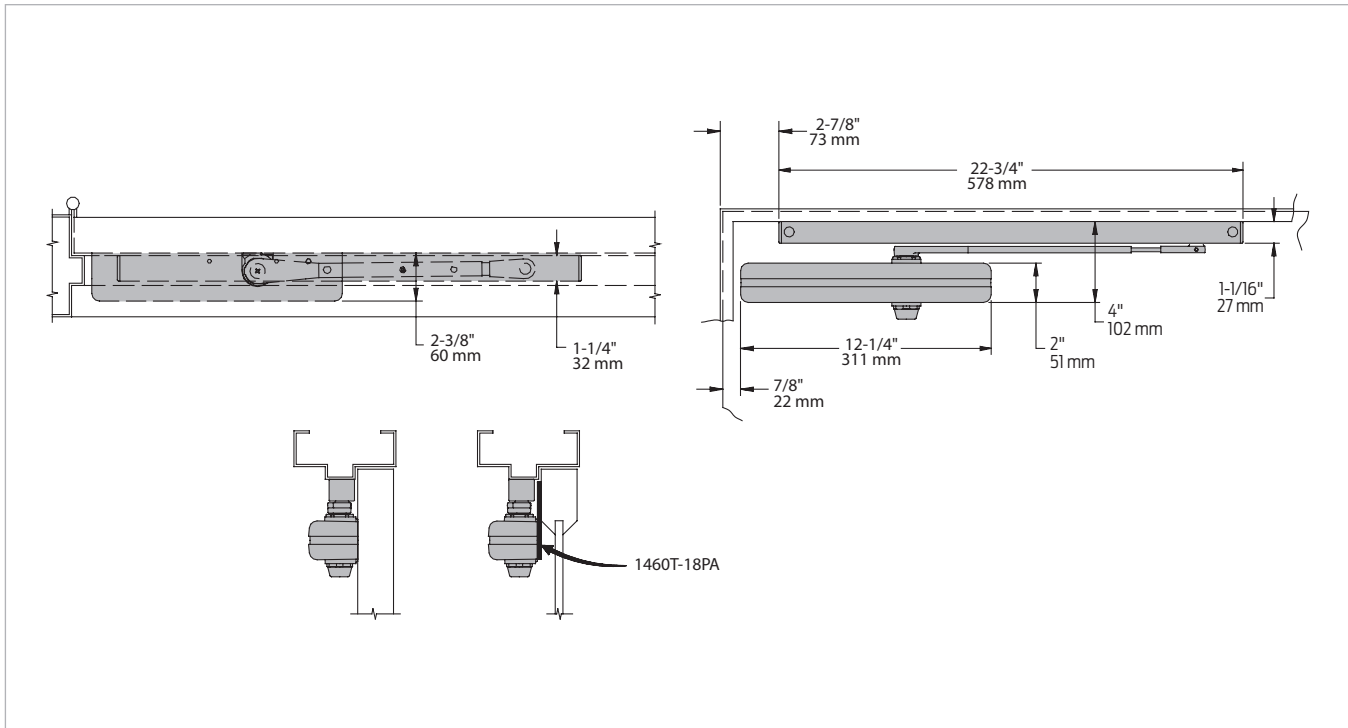
Optional

Non-handed Designer Series Metal Cover



Mounting details

Stop face (push side) mounting



Butt hinges	Should not exceed 5" (127 mm) in width
Auxiliary stop	<ul style="list-style-type: none"> Recommended where a door cannot swing 110° Track bumper assembly assists backcheck in cushioning the opening swing of the door. It is not intended to replace an auxiliary stop
Top rail	<ul style="list-style-type: none"> Less than 4" (102 mm) measured from the stop face requires plate, 1460T-18PA. Plate requires 1 1/2" (38 mm) minimum With Full Plastic Cover, use plate, 1460T-18PAFC With Designer Series Metal Cover, use plate, 1460T-18PADS
Clearance	1460T projects 2 3/8" (60 mm) from door face
Stop width	Minimum 1 1/4" (32 mm)
Maximum opening	<ul style="list-style-type: none"> Templating allows 110°, limited to 100° when optional bumper is installed Variable hold open angles with infinite options

Accessories

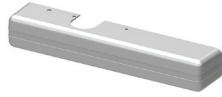
Cylinders



**1460(1)T-3071
Cast iron cylinder
assembly (CYL)**

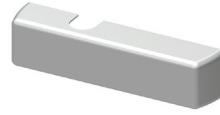
- Non-handed
- 1461T adjustable 1-2
- 1460T adjustable 2-4
- Standard

Covers



**1460T-72
Slim Line Plastic Cover
(SLIMPC)**

- Non-handed
- Standard



**1460T-72FC
Full Plastic Cover (FPC)**

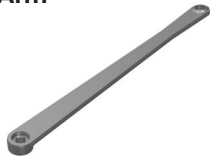
- Non-handed
- Optional



**1460T-72DS
Designer Series Metal Cover (DS)**

- Non-handed
- Required for plating option and custom powder coat finishes
- Optional

Arm



**1460T-3077T
Single Arm (STDTRKARM)**

- Non-handed
- Mounts hinge side, top jamb, or stop face
- Track roller not included with arm

Tracks



**1460T-3038
Standard Track (STDTRK)**

- Non-handed
- Non hold open
- Mounts on either side of the door
- Will accept hold open clip and/or bumper assembly
- Standard



**1460T-3038B
Track with Bumper (BUMP)**

- Non-handed
- Non hold open
- Mounts on either side of the door
- Will accept hold open clip
- Optional



**1460T-3038H
Hold Open Track (H)**

- Non-handed
- Hold open
- Mounts on either side of the door
- Will accept bumper assembly
- Optional



**1460T-3038HB
Hold Open Track with
Bumper (HBMP)**

- Non-handed
- Hold open
- Mounts on either side of the door
- Optional

1460T Series

Accessories

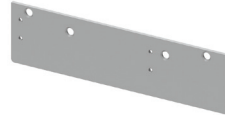
Installation accessories


**1460T-18
Plate**

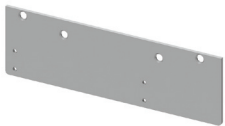
- Required for hinge side mount where top rail is less than 2 1/2" (64 mm)
- Required for top jamb mount when head frame is less than 2 3/4" (70 mm)
- Requires minimum 1 1/2" (38 mm) top rail or 1 3/4" (44 mm) head frame minimum


**1460T-18DS
Plate**

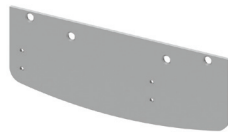
- Required for hinge side mount where top rail is less than 2 1/2" (64 mm)
- Required for top jamb mount when head frame is less than 2 3/4" (70 mm)
- Requires minimum 1 1/2" (38 mm) top rail or 1 3/4" (44 mm) head frame minimum
- For use with Designer Series Metal Cover


**1460T-18FC
Plate**

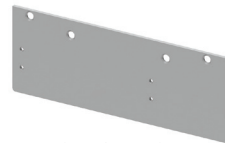
- Required for hinge side mount where top rail is less than 2 1/2" (64 mm)
- Required for top jamb mount when head frame is less than 2 3/4" (70 mm)
- Requires minimum 1 1/2" (38 mm) top rail or 1 3/4" (44 mm) head frame minimum
- For use with Full Cover


**1460T-18PA
Plate**

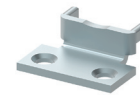
- Required for stop face mounting where top rail is less than 4" (102 mm), measured from the stop
- Requires 1 1/2" (38 mm) minimum top rail


**1460T-18PADS
Plate**

- Required for stop face mounting where top rail is less than 4" (102 mm), measured from the stop
- Requires 1 1/2" (38 mm) minimum top rail
- For use with Designer Series Metal Cover


**1460T-18PAFC
Plate**

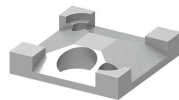
- Required for stop face mounting where top rail is less than 4" (102 mm), measured from the stop
- Requires 1 1/2" (38 mm) minimum top rail
- For use with Full Cover


**1460T-30A
Mounting bracket**

- Used when installing cylinder body
- Included with cylinder when ordered


**1460T-169
Track bumper**

- Mounts in track to assist backcheck, does not replace auxiliary stop
- Limits maximum opening
- Consists of bumper, bumper post, and mounting screw


**1460T-3054
Hold open clip**

- Mounts in track to provide hold open function
- Hold open point controlled by clip location


**1460T-3034
Track roller**

- Quiet, low friction roller assembly
- Shoulder dimension "X" = 1/8" (3 mm)


**1460T-3034H
Hold open track roller**

- Hold open roller
- Quiet, low friction roller assembly
- Shoulder dimension "X" = 1/8" (3 mm)
- Spring-loaded hold open mechanism