

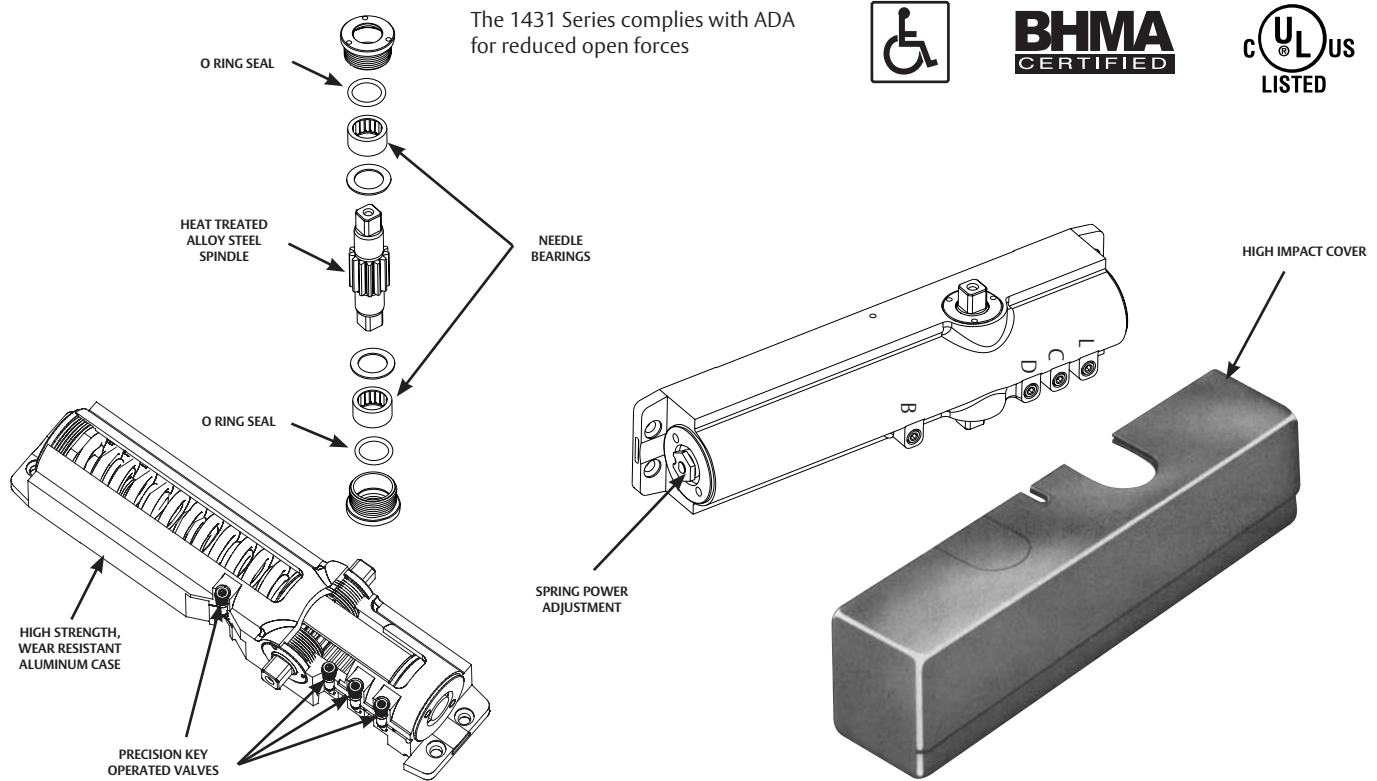
1431 Series Powerglide® Door Closer



Features and Benefits

1431 Series Powerglide®

SARGENT
ASSA ABLOY



Copyright © 2004-2019, SARGENT Manufacturing Company. All rights reserved. Reproduction in whole or in part without the express written permission of SARGENT Manufacturing Company is prohibited. Patent pending and/or patent www.assaabloyds.com/patents.

Features

- Exceeds 15 Million cycles
- Certified ANSI/BHMA A156.4 Grade 1
- UL 10C listed for positive pressure fire test
- UL / cUL listed for use on fire rated doors
- 25 year limited warranty
- User friendly versatile mounting applications permit standard, top jamb, parallel and track installations
- Self sticking templates supplied for most applications
- Adjustable spring power allows 1431 closers a size range of 1 through 6. They are adjusted to size 3 before leaving the factory
- One door closer body for all applications. All 1431 are non-handed
- Meets ADA requirements in all applications, except Push Side Track application (except track)
- High impact non-corrosive plastic covers with two machine screws standard, metal covers and lead lined are optional
- All weather fluid allows closer to operate effectively in extreme temperatures without readjustment
- 1-1/2" diameter piston for superior door control
- Standard pressure relief valves for both opening and closing cycles protect the door and frame from damage caused by abuse
- Retrofits existing SARGENT 1230/1231 Series Closer installations

Heavy Duty Construction

- Heat treated full rack and pinion for high strength and wear resistance
- Heavy duty one piece high silicon content aluminum alloy body provides corrosion resistance, superior strength and wear resistance
- 1/2" arm engagement over a 7/16 square spindle ensures a wear-resistant tight joint

Fasteners

- Machine Screws and self tapping screws provided for closer and arm
- In addition, wood screws supplied when installed on wood doors with through bolts

Valves

- Separate brass low sensitivity control valves offer ability to separately regulate door speed, latching, backcheck and optional delayed action
- All valves are captured to prevent accidental removal, adjustable with an 1/8" Allen wrench
- Adjustable backcheck protects the door and hardware from damage during the opening cycle
- Adjustable delayed action (optional) permits easy access for physically impaired individuals

Full Complement of Arm Types

- Standard and parallel arms
- Push and pull track arms
- Heavy duty forged steel arms are finely finished and interchangeable between SARGENT 281 and 1431, and 351 Series. The cold formed arms (RO/RP9) are unique to the 1431 series and not interchangeable with other SARGENT closers

How to Order

1431 Series Powerglide®

SARGENT
ASSA ABLOY

Packing

All closer assemblies are packaged 4 per carton. On request, door closers will be packed 2 per carton.

How To Order

Options	Series	Closer Arm	Finish	Hand
CPC-DA	1431	P4H	26	LH
31-36-74-CPC-DA-MC-SG-SRI-TB-	1431	Standard Page 6 Top Jamb Page 8 Parallel Pages 10 & 11 Track Type Page 13	EB ED EN EP EAB 03* 04* 09* 10* 10B* 10BE 10BL* 14* 15* 20D* 26* 26D* BSP	LH RH

* These finishes are automatically provided with a metal cover

How To Order

Accessories	Example	
Arm only	Specify 25-, arm required and finish	25-PSH EN
Body only	Specify CB-1431 (Option DA- available)	CB-1431
Arm conversion Units	Specify unit and finish	125-P9 EB
Cover Only (Standard)	1431-C x finish	1431-C x EN
Cover Only (Metal)	1431-CMC x finish and hand & arm type	1431-CMC x 26D x LH X P-10
Accessories	Specify accessory and finish See applicable catalog section	1431-D EB

When complete closer assembly is ordered with an accessory, order accessory as a separate item

Finishes

Finishes	ANSI/BHMA	Description
EB	695	Bronze powder coated to match finish 10B
EN	689	Aluminum powder coated
ED	693	Black powder coated to match finish 20D
EAB	696	Brass powder coated
EP	691	Bronze powder coated to match finish 10
03	605	Bright brass, clear coated
04	606	Satin brass, clear coated
09	611	Bright bronze, clear coated
10	612	Satin bronze, clear coated
10B	613	Dark oxidized satin bronze, oil rubbed
10BE	613E	Dark oxidized satin bronze - equivalent
10BL	614	Oxidized satin, bronze, clear coated
14	618	Bright nickel plated, clear coated
15	619	Satin nickel, clear coated
20D	624	Statuary dark bronze, clear coated
26	625	Bright chromium plated
26D	626	Satin chromium plated
BSP	—	Black Suede Powder Coat

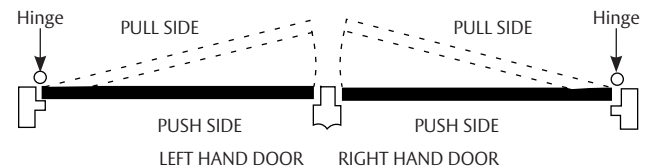
Series	Number per Carton	Approx. wt per Carton
1431	4-Standard (2 upon request)	19 lbs. per 4

Options Available

Specify	Detailed Description
31-	For doors 1-7/8" – 2-1/4" thick, specify door thickness, doors over 2-1/4" thick contact factory
36-	Security Torx Screws supplied for all exposed fasteners
74-	Lead lined cover
CPC-	Clear Powder Coat (available on 26 & 26D)
DA-	Delayed Action
MC-	Handed Metal Cover
SRI-	Special Rust Inhibitor finish for powder coated finishes only (arm)
TB-	Through Bolt (1-3/4" Std) For others, specify 31-TB- & door thickness

Note:

- The MC- option is used when a metal cover is desired on a powder coated finish
- When MC- is added to a plated finish, the MC- option indicates that only the cover is to be plated, the arms will be powder coated to match
- Do not specify the MC option if both the cover and arms are to be plated



Special Rust Inhibitor Process (SRI)

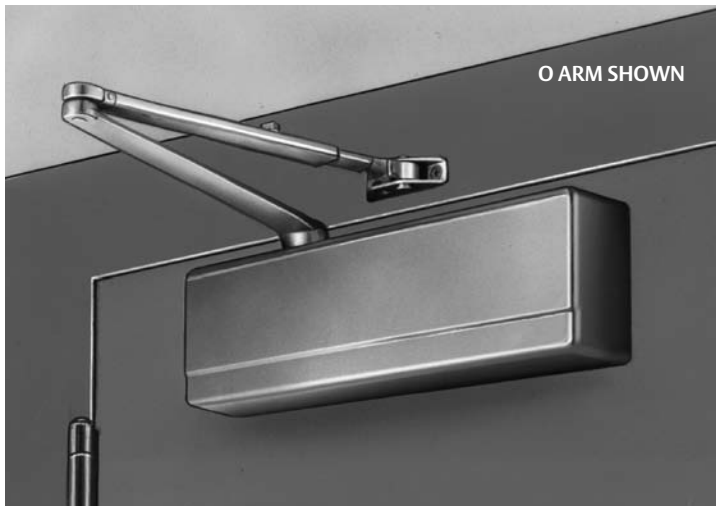
Additional process available for bracket and arms provides an extra layer of protection for extreme corrosive environments. Available with powder coated finishes only, specify SRI- as an option when ordering.

Copyright © 2004-2019, SARGENT Manufacturing Company. All rights reserved. Reproduction in whole or in part without the express written permission of SARGENT Manufacturing Company is prohibited. Patent pending and/or patent www.assaabloyds.com/patents.

90121 08/19

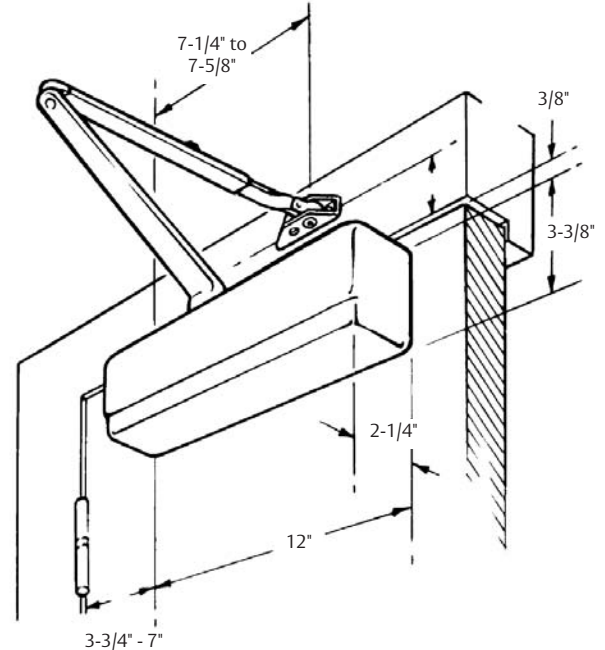
Standard Applications

1431 Series Powerglide®



The standard application of the 1431 door closer is the most common and the most desirable. The closer mounts on the hinge (pull) side of door (except when the W Corner Bracket is used). **Note:** This application is not recommended on exterior doors swinging out, since the closer is not protected from weather. The cover projection normally limits the door opening to a maximum of 160°.

1431-O Standard Application



1431 Standard Application for:

- Interior Doors Opening In or Out
- Exterior Doors Opening In

1431 Standard Application Door Opening Range

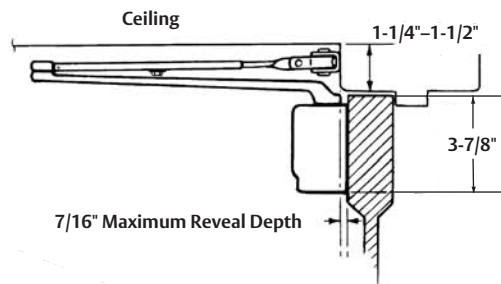
(Range based on Mounting Position)

- O & RO Standard Arms: 120°-180°
- H- Hold Open Arm: 90°-180°

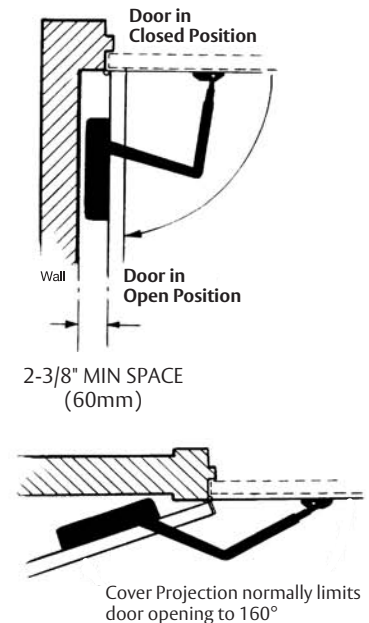
OLC - Low Ceiling Application Arm for Ceiling to Door Clearance of 1-1/4" - 1-1/2"

Door Top Rail Requirement

- 2-5/8" min. rail (116mm)
- For Top Rails less than 3-3/4" with window opening, the 1431-J Cover Plate is recommended



Wall Clearance Requirement



Arms and Accessories for Standard Applications

1431 Series Powerglide®

SARGENT
ASSA ABLOY

O - Standard Arm

- Forged Steel Arm 11-1/4" (286mm) long
- Non-handed
- Permits 120° door opening with standard mounting
- Permits 180° door opening with alternate mounting or corner bracket



For arm only, order as 25-O x finish
Includes: 63-2607 - Main arm and link assembly
63-2216 - Foot assembly
64-2407 - Screw pack

RO Regular Arm

- Cold Formed Steel Arm 11-1/4" (286mm) long
- For reveal depths up to 2" (51mm)
- Arm is not handed
- Permits 180° door opening



For arm only, order as 25-RO x finish
Includes: 63-3396 - Main arm and link assembly
63-2216 - Foot assembly
64-2407 - Screw pack

H - Hold Open Arm

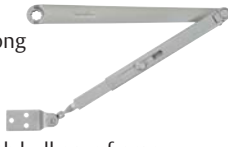
- Forged Steel Arm 11-1/4" (286mm) long
- Non-handed
- Hand is changed by inverting the foot assembly
- Friction type holder easily adjusted by a wrench
- Permits 180° door opening
- Holds open from 80° - 180°



For arm only, order as 25-H x finish
Includes: 63-2229 - Main arm and swivel assembly
61-2303 - Foot assembly
64-2407 - Screw pack

O8 - Mortise Foot Arm

- Forged Steel Arm 11-1/4" (286mm) long
- Non-handed
- Permits 120° door opening
- Commonly used with bull nose frames



For arm only, order as 25-O8 x finish
Includes: 63-2607 - Main arm and link assembly
63-2273 - Foot assembly
64-2407 & 63-2391 - Screw packs

H8 - Mortise Foot Hold Open Arm

- Forged Steel Arm 11-1/4" (286mm) long
- Handed same as door
- Friction type holder easily adjusted by a wrench
- Holds open from 80° - 180°



For arm only, order 25 R-H8 x finish for right hand or 25 L-H8 x finish for left hand
Includes: 63-2229 - Main arm & link assembly
63-2289 - Left hand foot assembly
63-2290 - Right hand foot assembly
63-2290RH - Foot assembly
64-2407 & 63-2391 - Screw packs

OLC - Standard Arm for Low Ceiling

- Forged Steel Arm 11-1/4" (286mm) long
- Non-handed
- Must be used when the distance between the top of door to ceiling is less than 1-1/4" (32mm)
- Permits 120° door opening with standard mounting



For arm only, order as 25-OLC x finish
Includes: 63-2549 - Main arm and link assembly
63-2216 - Foot assembly
64-2407 - Screw pack

UH Package

- Universal hold open arm package provides brackets and arms to install closer in top jamb, standard or parallel applications



Screw packs
64-2407 & 63-2391

125-PH9



UO/RUO Packages

- Universal arm package provides brackets and arms to install closer in standard top jamb or parallel applications



Screw packs
64-2407 & 63-2391

125-P9



1431-W Corner Bracket

- Fastens securely to both the head and jamb
- Malleable iron, painted to match closer finish
- Non-handed
- Requires 1-1/4" (32mm) minimum wide stop
- Order as 1431-W x finish



1431-J Cover Plate



- Can be used to improve appearance when narrow door rail permits closer to be viewed through glass panel. Specify finish.

Copyright © 2004-2019, SARGENT Manufacturing Company. All rights reserved. Reproduction in whole or in part without the express written permission of SARGENT Manufacturing Company is prohibited. Patent pending and/or patent www.assaabloyds.com/patents.

Top Jamb Applications

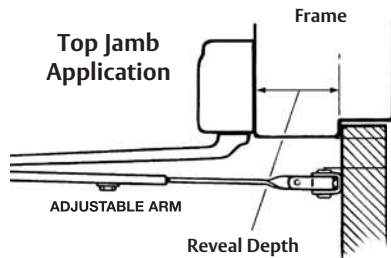
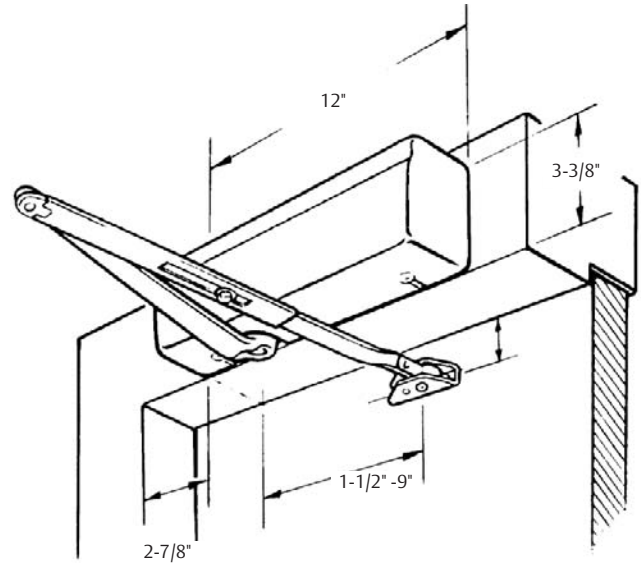
1431 Series Powerglide®



OZ ARM SHOWN

Top Jamb applications – The 1431 closer is mounted on the frame face above the door. The foot is mounted on the push side of door. This application is for use on exterior doors opening out to protect the closer from the weather.

1431-O Top Jamb Mounting Position



Minimum Frame Face Required

- 1-3/4" (44mm) for both single and double rabbeted frames

Minimum Door Top Rail Required to Mount Closer Foot

- 1-7/8" (48mm) minimum
- Rail height required depends on type and make of auxiliary holder if used

Adjustable Closing Force

- Interior doors to 5'0" wide
- Exterior doors to 4'0" wide
- Shipped factory preset for 3'0" door
- Factory pre-sized upon request

1431-O Typical Reveal Top Jamb Applications

For reveals up to 2" (51mm) maximum

- O or RO Arms - Max. Door Opening: 180°
- H Arm - Hold Open Range: 80° – 180°

1431-OZ Deep Reveal Top Jamb Applications

For reveals from 2-1/8" (54mm) to 5" (127mm)

- OZ Arm - Max. Door Opening: 140°
- HZ Arm - Hold Open Range: 80° – 140°

1431-OZA Extra Deep Reveal Top Jamb Applications

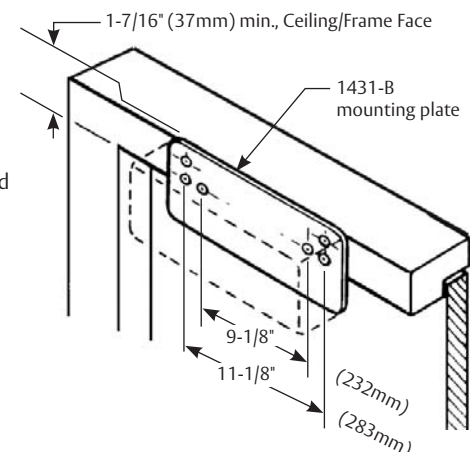
For reveals from 5-1/8" (130mm) to 8" (203mm)

- OZA Arm - Max. Door Opening: 140°
- HZA Arm - Hold Open Range: 80° – 130°

Top Jamb Application for Low Ceilings using 1431-B Mounting Plate



- Required for low ceiling condition and narrow face frames
- Available w/powder coat or plated finish to match cover
- Non-handed
- Plate mounting screws included
- Order as 1431-B x finish



Arms for Top Jamb Applications

1431 Series Powerglide®

SARGENT
ASSA ABLOY

Narrow Reveal Arms

O - Standard Arm

- Forged Steel Arm
11-1/4" (286mm) long
- For reveals
up to 2" (51mm)
- Non-handed
- Permits 180° door
opening



For arm only, order as 25-O x finish
Includes:

63-2607 - Main arm and link assembly
63-2216 - Foot assembly
64-2407 - Screw pack

RO Regular Arm

- Cold Formed Steel Arm
11-1/4" (286mm) long
- Non-handed
- Permits 120° door
opening with standard
mounting
- Permits 180° door opening
with alternate mounting or
corner bracket



For arm only, order as 25-RO x finish
Includes:

63-3396 - Main arm and link assembly
63-2216 - Foot assembly
24-2407 - Screw pack

H - Hold Open Arm

- Forged Steel Arm
11-1/4" (286mm) long
- For reveals up to
2" (51mm)
- Adjustable friction
holder
- Non-handed
- Permits 180° door
opening



For arm only, order as 25-H x finish
Includes:

63-2229 - Main arm and link assembly
61-2303 - Foot assembly
64-2407 - Screw pack

Deep Reveal Arms

OZ - Standard Arm for Deep Reveals

- Forged Steel Arm
11-1/4" (286mm) long
- For reveals from
2-1/8" (54mm)
to 5" (127mm)
- Non-handed
- Permits 140° door opening



For arm only, order as 25-OZ x finish
Includes:

63-2607 - Main arm and link assembly
63-2217 - Foot assembly
64-2407 - Screw pack

HZ - Hold Open Arm for Deep Reveals

- Forged Steel Arm
11-1/4" (286mm) long
- For reveals from
2-1/8" (54mm)
to 5" (127mm)
- Adjustable friction holder
- Non-handed
- Permits 140° door opening



For arm only, order as 25-HZ x finish
Includes:

63-2230 - Main arm and link assembly
61-2303 - Foot assembly
64-2407 - Screw pack

Extra Deep Reveal Arms

OZA - Standard Arm for Extra Deep Reveal

- Forged Steel Arm
11-1/4" (286mm) long
- For reveals
5-1/8" (130mm)
to 8" (203mm)
- Non-handed
- Permits 140° door opening



For arm only, order as 25-OZA x finish
Includes:

63-2607 - Main arm and link assembly
63-2218 - Foot assembly
64-2407 - Screw pack

HZA - Hold Open Arm for Extra Deep Reveal

- Forged Steel Arm
11-1/4" (286mm) long
- For reveals
5-1/8" (130mm)
to 8" (203mm)
- Adjustable friction
holder
- Non-handed
- Permits 140° door opening



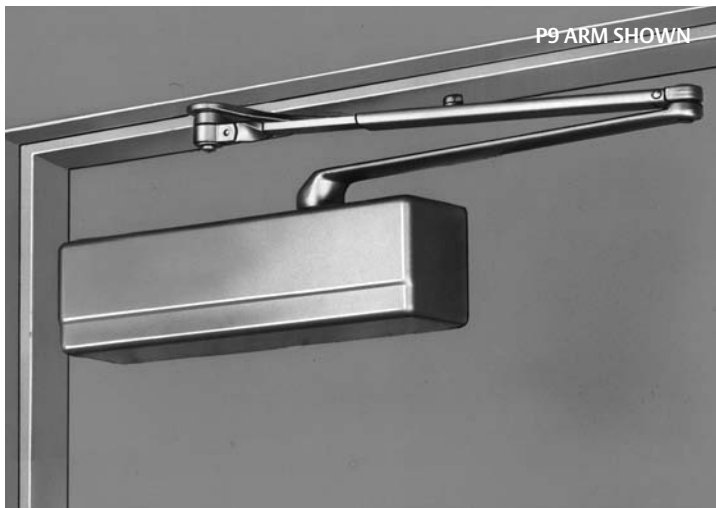
For arm only, order as 25-HZA x finish
Includes:

63-2231 - Main arm and link assembly
61-2303 - Foot assembly
64-2407 - Screw pack

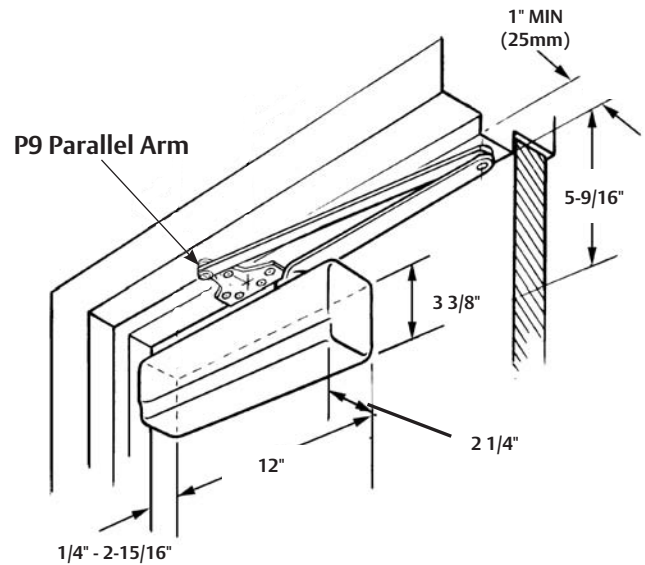
Parallel Arm Applications

1431 Series Powerglide®

SARGENT
ASSA ABLOY



1431-P9 Regular Parallel Arm Application



Parallel Arm Applications – The 1431 closer is mounted on the push side of the door with the arm under the frame parallel to the face of the door. This application is well suited for narrow face frames and deep reveal applications. The closer arm does not project into the room, and the door can be swung open much farther than in Top Jamb Application.

Heavy Duty Parallel Arms

For use in high traffic and abusive environments

- Friction and positive hold open arms available
- Use friction hold open arms for doors subject to moderate hold open use
- Use positive stop hold open arms for doors subject to frequent hold open use
- Dead stop and compression stop arms available

Non hold-open arms

- Two mounting positions for 120° and 180° maximum door openings

Stop arms

- 6 mounting positions allow stop from 85° – 110°

Positive stop hold open arms

- 6 mountings provide hold open positioning from 85° – 110°

Friction hold open arm

- Two mountings provide adjustable hold open positions from 75° – 180°

Regular Duty Parallel Arms

Available Arms for institutional installations:

- Regular Duty Parallel Arms
- Offset Bracket Arms for use with Auxiliary Holders & Stops
- Parallel flush frame arms
- Flush frame arms for use with Auxiliary Holders & Stops
- Flush frame, friction hold open arms
- Friction hold open arms
- Use friction hold open arms for doors subject to moderate hold open use

Standard Mounting Position

- 120° Maximum door opening
- Holding range of friction hold open arms: 75° – 110°

Alternate Mounting Position

- Maximum door opening: 180°
- Holding range of friction hold open arms: 85° – 170°

Heavy Duty Parallel Arms

1431 Series Powerglide®

SARGENT
ASSA ABLOY

P10 - Heavy Duty Parallel Arm



- Forged Steel Arm 11-1/4" (286mm) long
- Non-handed
- Easily installed
- Permits 120° opening at standard mounting
- Permits 180° opening at alternate mounting

For arm only, order as 25-P10 x finish
Includes: 63-0641 - Main arm
63-3727 - Arm and bracket assembly
64-2407 & 63-2392 - Screw packs

PS - Heavy Duty Parallel Arm with Positive Stop



- Forged Steel Arm 11-1/4" (286mm) long
- Handed arm is field-reversible
- Provides built in stop from 85° – 110°
- Permits 110° opening maximum
- Easily installed
- Permits 85° – 110° door opening

For arm only, order as 25-PS x finish
Includes: 63-0641 - Main arm
63-3837 - Arm and bracket assembly
64-2407 & 63-2392, 63-2396 - Screw packs

CPS - Heavy Duty Parallel Arm with Compression Stop



- Forged Steel Arm 11-1/4" (286mm) long
- Provides built in compression stop from 85° – 105°
- Permits 105° opening maximum
- Easily installed
- Handed arm is field-reversible
- Dead stop within 3°

For arm only, order as 25-CPS x finish
Includes: 63-0641 - Main arm
63-3830 - Arm and bracket assembly
63-0516 - Bumper holder
63-3493 - Bumper
64-2407 & 63-2398 - Screw packs

PH10 - Heavy Duty Friction Hold Open Parallel Arm



- Equipped with adjustable friction holder
- Adjustable hold open from 75° – 180°
- Forged steel arm 11-1/4" (286mm) long
- Handed same as door
- Use friction hold open arms for doors subject to moderate hold open use

For arm only, order as 25-PH10 x finish
Includes: 63-0641 - Main arm
63-3839 - Left hand arm and bracket assembly
63-3840 - Right hand arm and bracket assembly
64-2407 & 63-2392 - Screw packs

PSH - Heavy Duty Parallel Hold Open Arm with positive Stop



- Provides holder and stop features
- Handed arm is field-reversible
- Easily installed/adjusted
- Permits 85° – 110° door opening

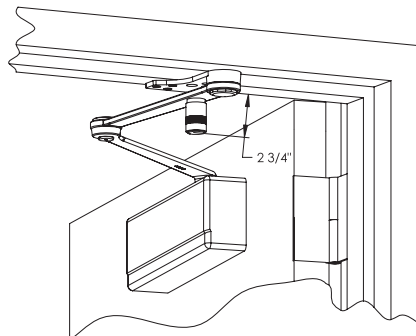
For arm only, order as 25-PSH x finish
Includes: 63-0641 - Main arm
63-3833 - Arm and bracket assembly
64-2407 & 63-2392, 63-2396 - Screw packs

CPSH - Heavy Duty Hold Open Parallel Arm with Compression Stop



- Forged Steel Arm 11-1/4" (286mm) long
- Handed arm is field-reversible
- Provides built in compression stop and holder mechanism from 85° – 105°
- Easily installed/adjusted
- Permits 105° opening maximum
- Dead stop within 3°

For arm only, order as 25-CPSH x finish
Includes: 63-0641 - Main arm
63-3836 - Arm and bracket assembly
63-0516 - Bumper holder
63-3493 - Bumper
64-2407 & 63-3487 - Screw packs



The PSH and CPSH arms project 2 3/4" below the head stop

Positive Stop Hold Open Arms (PSH & CPSH ARMS)

- Use on doors subject to repetitive hold open use
- 6 hold open angle installation
- Hold open function may be disengaged
- Hold open tension is easily adjustable

Copyright © 2004-2019, SARGENT Manufacturing Company. All rights reserved. Reproduction in whole or in part without the express written permission of SARGENT Manufacturing Company is prohibited. Patent pending and/or patent www.assaabloyds.com/patents.

90121 08/19

Regular Duty Parallel Arms

1431 Series Powerglide®

Hold Open Arms

PH4 - Flush frame, Friction Hold Open Arm

- Forged Steel Arm 11-1/4" (286mm) long
- Holds open from 75° – 180°
- Easily adjusted by wrench
- Non-handed
- Use on frames where stop or soffit is too narrow to mount the standard hold open foot bracket



For arm only, order as 25-PH4 x finish
Includes: 63-2229 - Main arm and link assembly
61-2303 - Foot assembly
64-0050 - Foot bracket
64-2407 & 63-2391 - Screw packs

PH9 - Friction Hold Open Arm

- Forged Steel Arm 11-1/4" (286mm) long
- Holds open from 75° – 180°
- Easily adjusted by wrench
- Non-handed



For arm only, order as 25-PH9 x finish
Includes: 63-2229 - Main arm and link assembly
61-2303 - Foot assembly
64-0039 - Foot bracket (125 PH9)
64-2407 & 63-2391 - Screw packs

Offset Bracket Arms

P3 - 1" Offset Bracket for use with Auxiliary Holder/Stop

- Forged Steel Arm 11-1/4" (286mm) long
- For use with auxiliary surface overhead stops and holders
- Foot bracket is offset 1" more than P-9, allowing door closer to be lowered on door face
- Non-handed



For arm only, order as 25-P3 x finish
Includes: 63-2607 - Main arm and link assembly
63-2270 - Foot assembly
64-2407 & 63-2391 - Screw packs

P3A - 1-3/4" Offset Bracket for use with Auxiliary Holder/Stop

- Forged Steel Arm 11-1/4" (286mm) long
- For use with auxiliary surface overhead stops and holders and door coordinators
- Foot bracket lowers door closer an additional 3/4" below P3 bracket
- Non-handed



For arm only, order as 25-P3A x finish
Includes: 63-2607 - Main arm and link assembly
63-2274 - Foot assembly
64-2407 & 63-2391 - Screw packs

P4 - Parallel Flush frame Arm

- Forged Steel Arm 11-1/4" (286mm) long
- Foot bracket is attached to frame or transom face
- For use where stop or soffit is too narrow for the standard P9
- Permits 120° opening with standard mounting
- Permits 180° opening with alternate mounting
- Non-handed



For arm only, order as 25-P4 x finish
Includes: 63-2607 - Main arm and link assembly
63-2295 - Foot assembly
64-2407 & 63-2391 - Screw pack

P4A - Flush Frame Arm for use with Auxiliary Holder/Stop

- Forged Steel Arm 11-1/4" (286mm) long
- For use with auxiliary surface overhead stops and holders
- Foot bracket is attached to frame or transom face
- Foot bracket lowers door closer an additional 3/4" below P4 bracket
- Non-handed



For arm only, order as 25-P4A x finish
Includes: 63-2607 - Main arm and link assembly
63-2272 - Foot assembly
64-2407 & 63-2391 - Screw packs

RP9 Regular Arm

- Cold Formed Steel Arm 11-1/4" (286mm) long
- Arm is not handed
- Permits 120° opening with standard mounting
- Permits 180° opening with alternate mounting



For arm only, order
Includes: 63-3396 - Main arm and link assembly
63-2271 - Foot assembly
64-2407 & 63-2391 - Screw Packs

P9 - Standard Parallel Arm

- Forged Steel Arm 11-1/4" (286mm) long
- Non-handed



For arm only, order as 25-P9 x finish
Includes: 63-2607 - Main arm and link assembly
63-3405 - Foot assembly
64-2407 & 63-2391 - Screw packs

UO/RUO Packages

- Universal arm package provides arms and brackets to install closer in standard top jamb or parallel application
Screw packs 64-2407 & 63-2391



UH Package

- Universal hold open arm package provides brackets and arms to install closer in top jamb, standard or parallel applications
Screw packs 64-2407 & 63-2391



Accessories for Parallel Applications

1431 Series Powerglide®

SARGENT
ASSA ABLOY

Heavy Duty Parallel Accessories

581-2 Blade Stop Spacer Kit



- For frames with 1/2" blade stops
- For use with P10, PH10, PS, PSH, CPS and CPSH arms
- 125-V bracket included
- Packed with 1-1/4" long screws
- Use P/N 64-0157 to order blade stop only

125-V/125-VF Brackets



125-V

- For use with all heavy duty parallel arms
- Use 125-V for narrow stop and frame conditions
- Use 125-VF for flush door and frame conditions



125-VF

Spacer 63-0191

- 1/2" x 5/8"
- Included standard with PS, PSH, PH10, P-10 CPS and CPSH arm for use with rabbited frames



Regular Duty Parallel Accessories

125-P3 Arm Conversion Unit

- Converts O or P9 arm to P3 Parallel Arm



125-P3A Arm Conversion Unit

- Converts O or P9 Arm to P3A Parallel Arm



125-PH9 Parallel Arm Foot

- Converts standard hold open (H) arm to PH9 Parallel Hold Open Arm



125-P4 Conversion Unit

- Converts O or P9 Arm to P4A Arm



125-P4A Arm Conversion Unit

- Converts O or P9 arm to P4A Arm



581-1 Blade Stop Spacer Kit



- For frames with 1/2" blade stops
- For use with P9, PH9 and PF9 arms only
- Packed with 1-1/4" long screws

Miscellaneous Accessories

1431 J Cover Plate

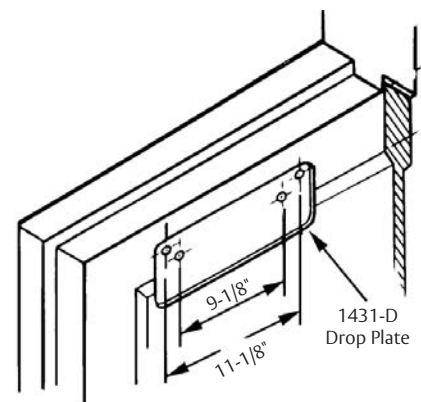


- Can be used to improve appearance when narrow door rail permits closer to be viewed through glass panel

1431 Drop Plate



- Required for parallel arm applications with top rails less than 5-3/4"
- Requires 3" (76mm) minimum top rail
- Available with powder coat or plated finish to match closer
- Non-handed – Plate mounting screws included
- Order as 1431-D x finish



585 Retrofit Kits

The 585 kit allows easy upgrade from existing 1230/1231 Series to the 1431 Series. Kit includes closer, full cover, and fasteners.

585-2 Replaces 1230/1231

585-4 Replaces 1230 DA/1231 DA

Copyright © 2004-2019, SARGENT Manufacturing Company. All rights reserved. Reproduction in whole or in part without the express written permission of SARGENT Manufacturing Company is prohibited. Patent pending and/or patent www.assaabloyds.com/patents.

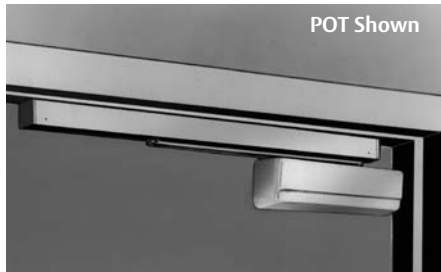
Track Type Applications

1431 Series Powerglide®

Pull Side Mounting (Hinge Side)



Push Side Mounting (Stop Side)



OD Double Egress Arm



1431 Track Type Closer – Offers the most decorative door closer providing a clean unobstructed appearance without the cost of concealed closers and tracks. With versatile mounting options on either side of the door, the 1431 track type closers are a favorite of interior designers.

OT Track Arm

- Track mounts on frame face “OT”
- Minimum top rail required – 2-3/8”
- Mounting plates cannot be used for this application

Maximum Door Opening

- 160° with standard track
- 120° with optional bumper track
- 180° with ideal conditions for standard track

Hold Open Range

- 85° – 120°

POT Track Arm

- Track mounts on frame stop “POT”
- Minimum top rail required without drop plate: 4-3/4” (121mm)
- With 1431D Drop Plate 3” (76mm)

Maximum Door Opening

- 100° with standard track
- 95° with optional bumper track

Hold Open Range

- 85° – 95°

Minimum Stop Required

- 1-9/16” (40mm) wide

- Forged steel arm
- Handed
- Special frame profile required
- Available with Holder Option (HD) and Bumper Option (B)
- 160° maximum door opening
- 120° opening with bumper option
- Range of hold open 85° – 120°
- Used with reveals 3” – 4” (76mm-102mm)

Order as 25-OD x finish for track and arm assembly

- Includes:
- 63-2447 - Track assembly
 - 63-3656 - Left hand arm
 - 63-3657 - Right hand arm

Track

- Extruded aluminum track
- End caps finished to match track

Arm

- Forged steel
- Bearing roller

Bumper (Optional)

- Mounts in track to assist backcheck
- Not designed to be used as a stop
- Auxiliary stop is required
- Available for both regular or hold open tracks

Holder (Optional)

- Mounts within the track (adjustable)

Finishes

- EAB, EB, ED, EN, EP powder coat on all exposed surfaces

Arm & Track	Description/Options
1431—OT	Pull
1431—OTB	Pull with Bumper
1431—HT	Pull with Holder
1431—HTB	Pull with Holder and Bumper
1431—OD	Pull Double egress (Handed) (Non-standard frame required)
1431—ODB	Pull Double egress with Bumper (Handed) (Non-standard frame required)
1431—HD	Pull Double egress with Holder (Handed) (Non-standard frame required)
1431—HDB	Pull Double egress with Holder and Bumper (Handed) (Non-standard frame required)
1431—POT	Push
1431—POTB	Push with Bumper
1431—PHT	Push with Holder
1431—PHTB	Push with Holder and Bumper

Note: Two mounting applications are available