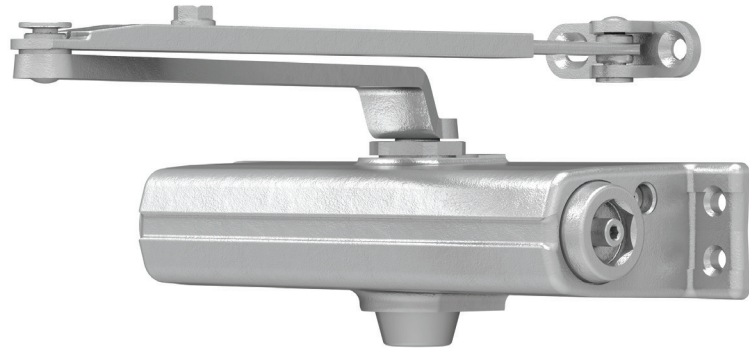


1260 Series

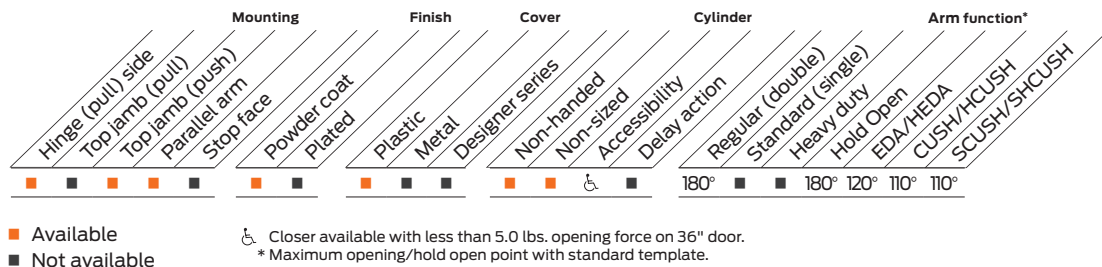


The 1260 is a light to medium duty cast iron closer designed to fit the most common commercial foot print. It's adjustable for spring sizes 1-5, features a complete line of regular and extra duty arms, and an optional Quick Fix™ bracket kit.

Features

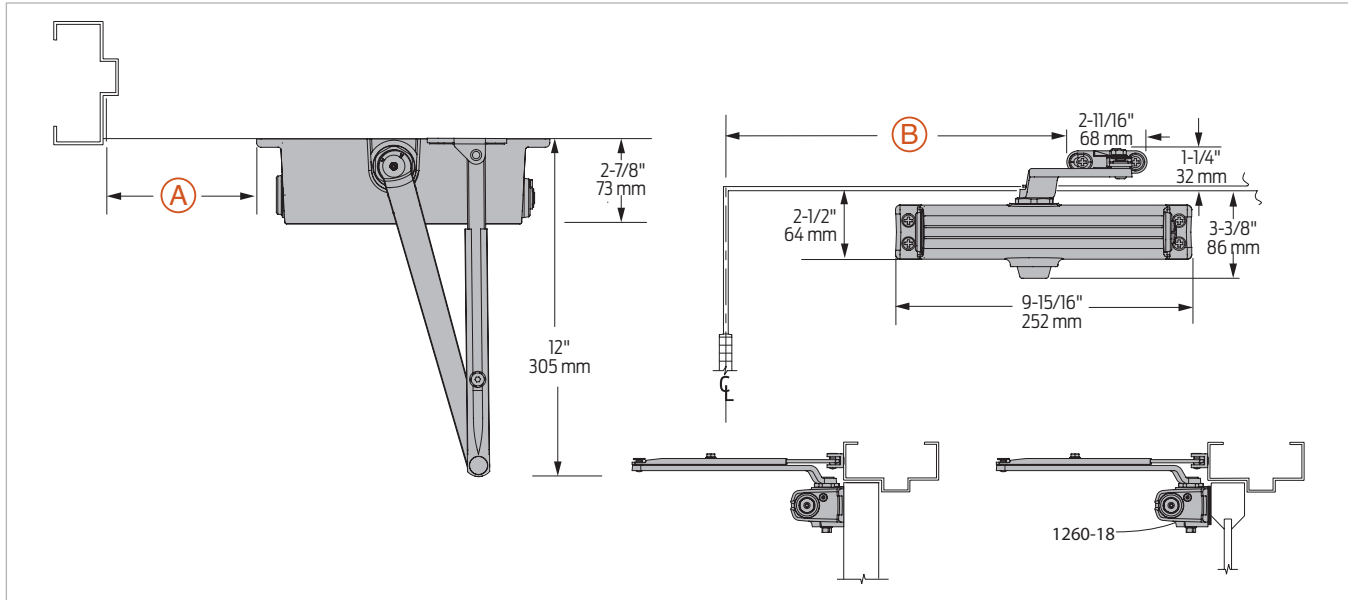
Certifications	Grade 1 - ANSI A156.4, UL 10C, ADA, 100 Hour Salt Spray, Meets BAA - Buy American Act	Cover	Slim line plastic cover, optional
Body construction	<ul style="list-style-type: none"> Cast iron body Full complement bearing 1 3/8" Diameter piston 5/8" diameter single heat treated pinion journal 	Fasteners	Self reaming and tapping screws (SRT)
Fluid	All weather fluid	Mounting	Hinge (pull side), top jamb (push side), parallel arm (push side)
Handing	Non-handed	Arms	Regular arm
Templating	Peel-n-Stick templates - 3/4" x 9 1/16" mounting hole pattern	Finishes/colors/ powder coat	<ul style="list-style-type: none"> 689 Aluminum 690 Statuary Bronze 691 Light Bronze 693 Black 695 Dark Bronze 696 Brass Custom colors optional Optional SRI primer - powder coat only
Size	Adjustable spring size 1-5		
Warranty	20 years		

Special templates | Customized installation templates or products may be available to solve non-standard applications. Contact LCN Product Support for assistance.



Mounting details

Hinge (pull) side mounting

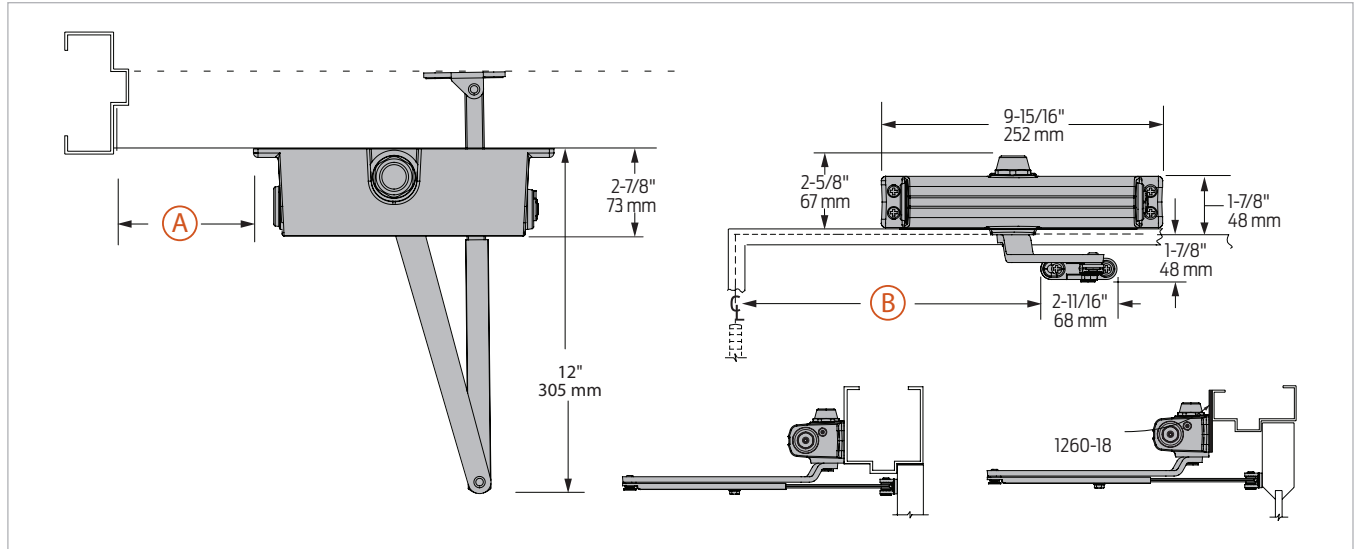


Butt hinges	Should not exceed 5" (127 mm) in width
Auxiliary stop	Recommended at hold open point or where a door cannot swing 180°
Reveal	Should not exceed 3/4" (19 mm) for regular arm or 1/2" (13 mm) for Hold Open Arm
Top rail	Less than 2 1/2" (64 mm) requires plate, 1260-18
Clearance	2 7/8" (73 mm) behind door required for installation
Maximum opening	110°: A = 6 9/16" (167 mm) B = 12 7/16" (316 mm)
	101° to 120°: A = 5 9/16" (141 mm) B = 11 7/16" (291 mm)
	or *121° to 180°: A = 3 1/16" (78 mm) B = 8 15/16" (227 mm)

Note: Hold open points up to maximum opening with Hold Open Arm.
* Frame and trim permitting.

Mounting details

Top jamb (push side) mounting

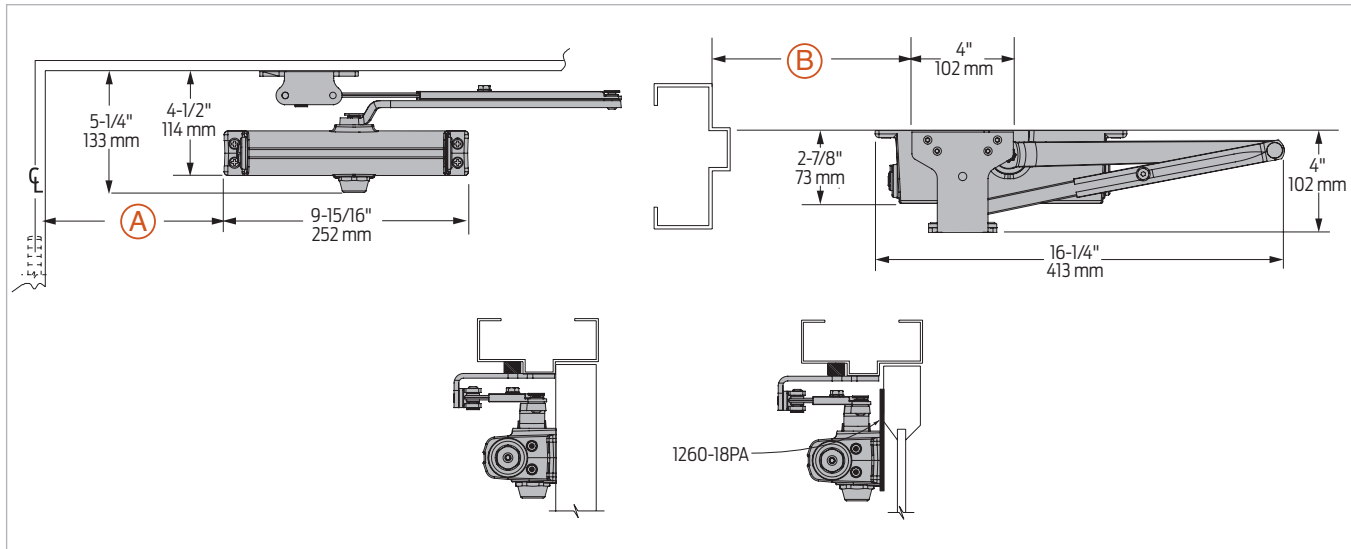


Butt hinges	Should not exceed 5" (127 mm) in width		
Auxiliary stop	Recommended at hold open point or where a door cannot swing 180°		
Reveal	Arm type	Maximum reveal	Opening
	Regular Arm	3 1/2"	Up to 120°
	Regular Arm	2 1/4"	121° to 180°
	Long Arm	7 1/2"	Up to 120°
	Long Arm	3 1/2"	121° to 180°
	Hold Open Arm	2"	Up to 120°
	Hold Open Arm	2 1/4"	121° to 180°
	Hold Open Long Arm	4 1/2"	Up to 120°
	Hold Open Long Arm	4 1/2"	121° to 160°
Top rail	1 3/4" (44 mm) minimum. 2 1/2" (64 mm) minimum with closer on plate, 1260-18		
Head frame	Less than 1 3/4" (44 mm) requires plate, 1260-18. For flush ceiling condition with 2" (51 mm) head frame, use plate, 1260-18. (Plate requires 1 3/8" (35 mm) minimum.)		
Maximum opening	110°:	A = 7 1/16" (179 mm) B = 12 15/16" (329 mm)	
	101° to 120°:	A = 5 9/16" (141 mm) B = 11 7/16" (291 mm)	
	or *121° to 180°:	A = 3 1/16" (78 mm) B = 8 15/16" (227 mm)	

Note: Hold open points up to maximum opening with Hold Open Arm.
 * Frame and trim permitting.

Mounting details

Parallel arm (push side) mounting



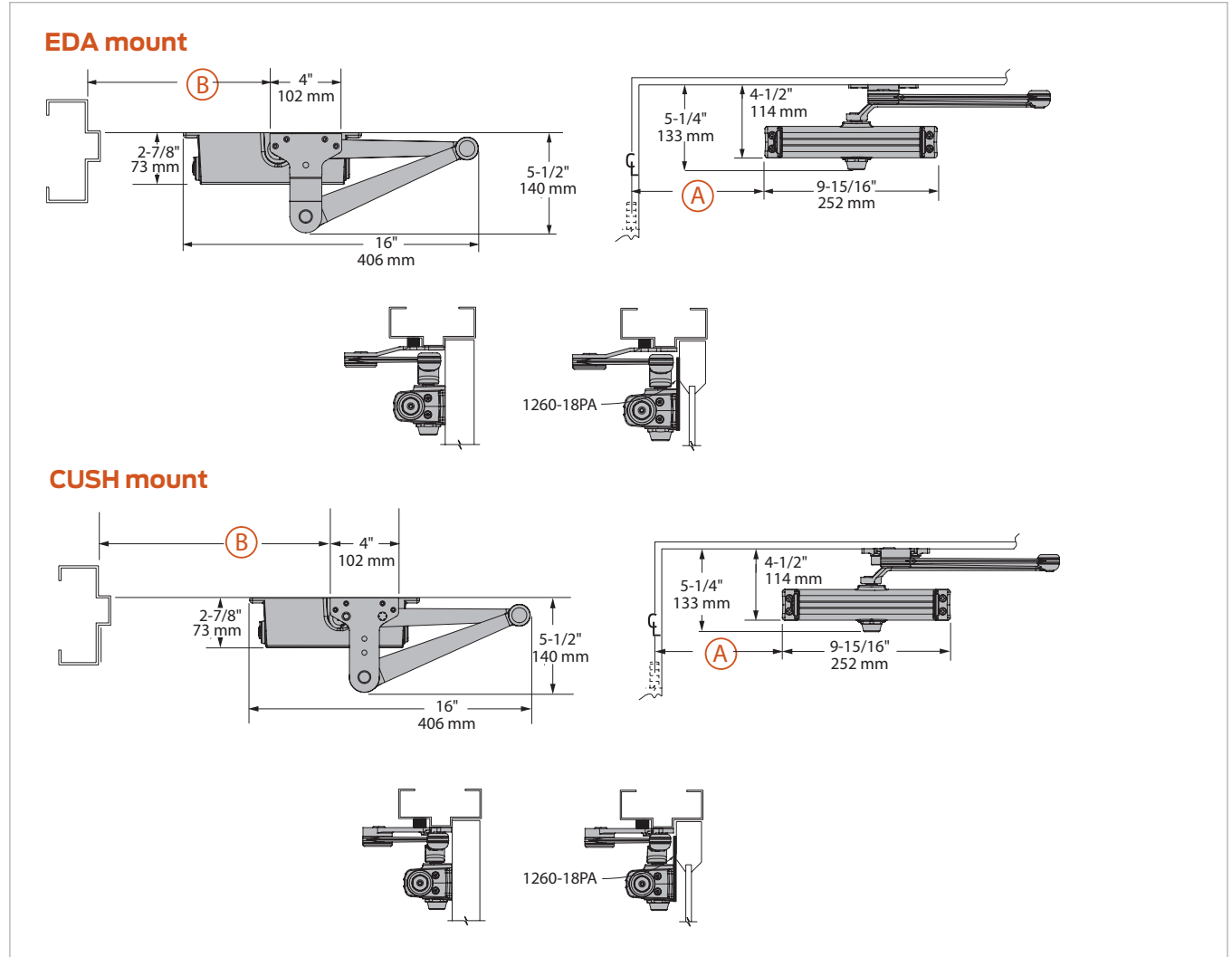
Butt hinges	Should not exceed 5" (127 mm) in width
Auxiliary stop	Recommended at hold open point, where a door cannot swing 180°, or where Cush-n-Stop Arm is not used
Top rail	Less than 4 3/8" (111 mm) measured from the stop requires plate, 1260-18PA
Clearance	1260-62PA shoe projects 4" (102 mm) from door face
Stop width	Minimum 1" (25 mm)
Blade stop	Clearance, requires 1/2" (13 mm) blade stop spacer, 1260-61
Auxiliary shoe	1260-62A allows installation of regular arm with overhead holder/stop. Special templating required
Maximum opening	Regular or Hold Open Arm can be templated to 100°: A = 7 3/16" (183 mm) B = 8 5/8" (219 mm) or 101° to 130°: A = 5 11/16" (144 mm) B = 7 1/8" (181 mm) or *131° to 180°: A = 3 11/16" (94 mm) B = 5 1/8" (130 mm)

Note: Hold open points up to maximum opening with Hold Open Arm. Optional mounting requires PA shoe, 1260-62PA for Regular and Hold Open Arms. 1260 Parallel Arm closer includes 1260-201 fifth hole spacer to support PA shoe.

* Frame and trim permitting.

Mounting details

EDA and Cush-n-Stop mounting



Clearance	1260-62EDA or CUSH shoe projects 5 1/2" (140 mm) from door face	
Head frame	Flush or rabbeted requires CUSH flush panel adapter, 1260-419	
EDA or CUSH ARM	Requires shoe support, 1260-30 for fifth screw anchorage where reveal is less than 3 1/16" (78 mm)	
Maximum opening	EDA template allows 120°. Hold open point up to maximum opening	CUSH arms can be templated for maximum opening/hold open point at
	90°: A = 4 13/16" (122 mm) B = 9 1/2" (241 mm)	85°: A = 5 5/16" (135 mm) B = 10" (254 mm)
	or 120°: A = 3 5/16" (84 mm) B = 8" (203 mm)	90°: A = 4 11/16" (119 mm) B = 9 3/8" (238 mm)
	Hold open points up to maximum opening with HEDA arm	100°: A = 3 9/16" (90 mm) B = 8 1/4" (210 mm)
		110°: A = 2 13/16" (71 mm) B = 7 1/2" (191 mm)

Note: 1260 closers ordered with EDA, CUSH or SCUSH arms include 1260-201 fifth hole spacer to support the shoe.

1260 Series

Accessories

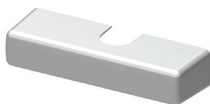
Cylinders



1261(2)(3)(4)(5)-3071
Cast iron cylinder assembly (CYL)

- Non-handed
- Standard

Covers



1260-72
Slim line plastic cover (SLIMPC)

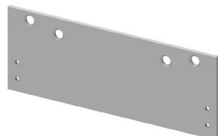
- Non-handed
- Optional

Installation accessories



1260-18
Plate

- Required for hinge side mount where top rail is less than 2 1/2" (64 mm)
- Required for top jamb mounting where head frame is less than 1 3/4" (44 mm) or flush ceiling condition exists
- Requires minimum 1 1/2" (38 mm) minimum top rail or 1 1/4" (32 mm) head frame



1260-18PA
Plate

- Required for parallel arm mounting where top rail is less than 4 3/8" (111 mm), measured from the stop
- Requires 1 3/4" (44 mm) minimum top rail



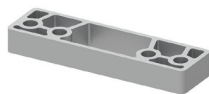
1260-18QF
Quick Fix™ bracket kit

- Optional kit includes retro-fit mounting plates for 1371 closer cylinder and shoe
- Useful in applications when previously drilled holes are damaged



1260-30
CUSH shoe support

- Provide anchorage for fifth screw used with CUSH arms where reveal is less than 3 1/16" (78 mm)



1260-61
Blade stop spacer

- Lowers parallel arm shoe to clear 1/2" (13 mm) blade stop



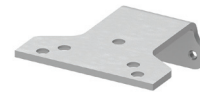
1260-62A
Auxiliary shoe

- Requires a top rail of 7" (178 mm)
- Optional shoe replaces-62PA for parallel arm mounting of regular arm with overhead holder/stop



1260-419
PA flush panel adapter

- Provides horizontal mounting surface for PA, EDA or CUSH shoe on single rabbeted or flush frame



1260-62PA
PA shoe

- Required for parallel arm mounting

Accessories

Arms



**1260-3077
Regular Arm with Parallel Arm
Bracket (RWPA)**

- Non-handed
- Mounts hinge side or top jamb
- Parallel arm includes PA shoe, 1260-62PA required for parallel arm mounting



**1260-3077L
Long Arm (LONG)**

- Non-handed
- Includes long rod and shoe, 1260-79LR for top jamb mount with deep reveals
- Optional



**1260-3049
Hold Open Arm (H)**

- Non-handed
- Mounts hinge side, top jamb or parallel arm (62PA required)
- Hold open adjustable at shoe
- Optional



**1260-3049L
Hold Open Long Arm
(HLONG)**

- Non-handed
- Includes long head and tube, 1260-3048L for top jamb mount with deep reveals
- Optional



**1260-3077EDA
Extra Duty Arm (EDA)**

- Non-handed
- Features solid forged steel main and forearm for potentially abusive installations
- Optional 1260-3077EDA/G for blade stop clearance



**1260-3077EDA/62G
Extra Duty Arm with 62G
Thick Hub Shoe (EDAW62G)**

- Non-handed
- Features solid forged steel main and forearm for potentially abusive installations



**1260-3049EDA
Hold Open Extra Duty Arm
(HEDA)**

- Handed
- Provides hold open function adjustable at shoe
- Optional



**1260-3077CNS
Cush-n-Stop Arm (CUSH)**

- Non-handed
- Features solid forged steel main arm and forearm with stop in soffit shoe
- Optional



**1260-3049CNS
Hold Open Cush-n-Stop
Arm (HCUSH)**

- Non-handed
- Provides hold open function with templated stop/hold open points
- Handle controls hold open function
- Optional



**1260-3077SCNS
Spring Cush-n-Stop Arm
(SCUSH)**

- Non-handed
- For abusive applications features solid forged steel main arm and forearm with spring loaded stop in the soffit shoe
- Optional



**1260-3049SCNS
Spring Hold Open Cush-n-Stop
Arm (SHCUSH)**

- Non-handed
- For abusive applications features solid forged steel main arm and forearm with spring loaded stop in the soffit shoe
- Handle controls hold open function
- Optional