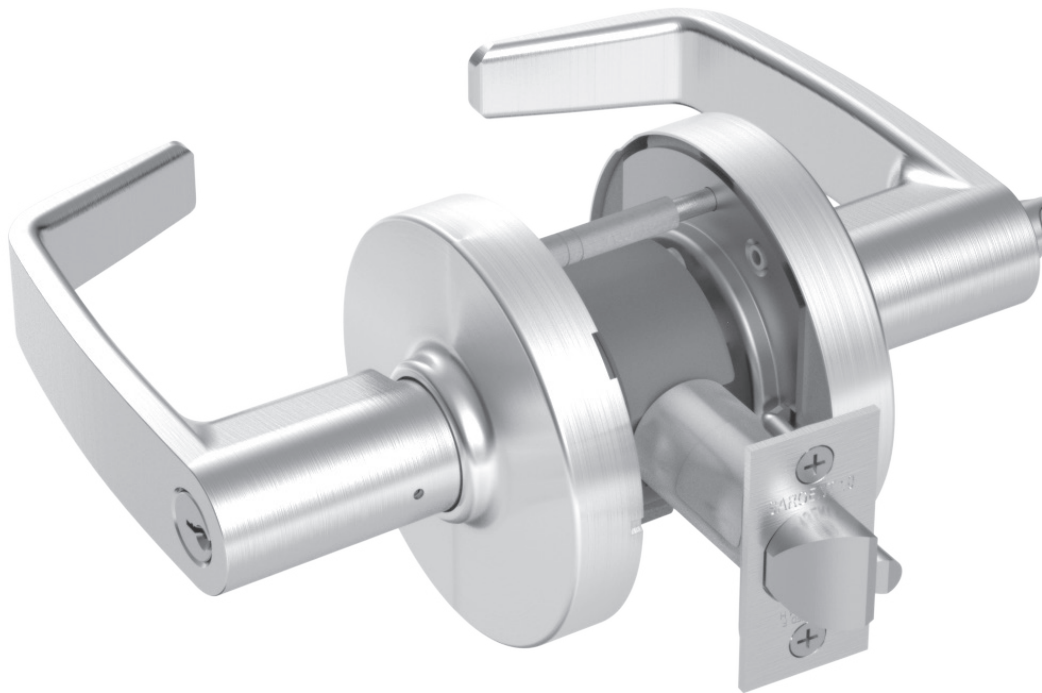


**SARGENT®**

**ASSA ABLOY**

# 10X Line Cylindrical Lever Lock Parts Manual



For assistance, contact SARGENT at  
800-727-5477 or [www.sargentlock.com](http://www.sargentlock.com)

Copyright © 2021, Sargent Manufacturing Company, an ASSA ABLOY Group company. All rights reserved.  
Reproduction in whole or in part without the express written permission of Sargent Manufacturing Company is prohibited.

Experience a safer  
and more open world

A8287-A 2/21

Mechanical Drawing..... 3  
 Lockbodies & Mounting Plate..... 4  
 Spring Housing Assemblies..... 5  
 Roses & Misc..... 6  
 Latches..... 7  
 Strikes..... 8  
 Cylinders..... 9-10  
 Standard Levers and Components..... 11

**How to Order Parts**

1. In order to simplify the ordering procedure and maintain regulatory compliance, parts are only available as listed
2. To order parts, provide the appropriate quantity, part number, finish, hand (when required) and description as directed and illustrated below.

For example, use the following configuration to order:

- A) ten lockbodies in satin chrome
- B) one passage/plain L lever in bright brass

	Quantity	Part Number	Finish	Hand	Description
A	10	10-3588	26D	—	Entrance Function Lockbody
B	1	10-1128	03	—	Passage/Plain L Lever

For assistance, contact your authorized SARGENT distributor, sales agency or visit our website at [www.sargentlock.com](http://www.sargentlock.com).

**Finishes**

SARGENT #	Descriptions	ANSI/BHMA
03	Polished brass, clear coated	605
04	Satin brass, clear coated	606
09	Polished bronze, clear coated	611
10	Satin bronze, clear coated	612
10B	Oxidized bronze, oil rubbed	613
10BE	Dark Oxidized Satin Bronze - equivalent	613E
10BL	Oxidized satin, bronze, clear coated	613L
14	Polished nickel, clear coated	618
15	Satin nickel, clear coated	619
20D	Statuary dark bronze, clear coated	624
26	Polished chrome	625
26D	Satin chrome	626
BSP	Black suede powder coat	BSP
WSP	White suede powder coat	WSP

Lock Finish	Cylinder/Core*
03, 04, 09, 10, 10B, 10BE, 10BL, 20D	04
14, 15, 26, 26D, WSP	15
BSP	15

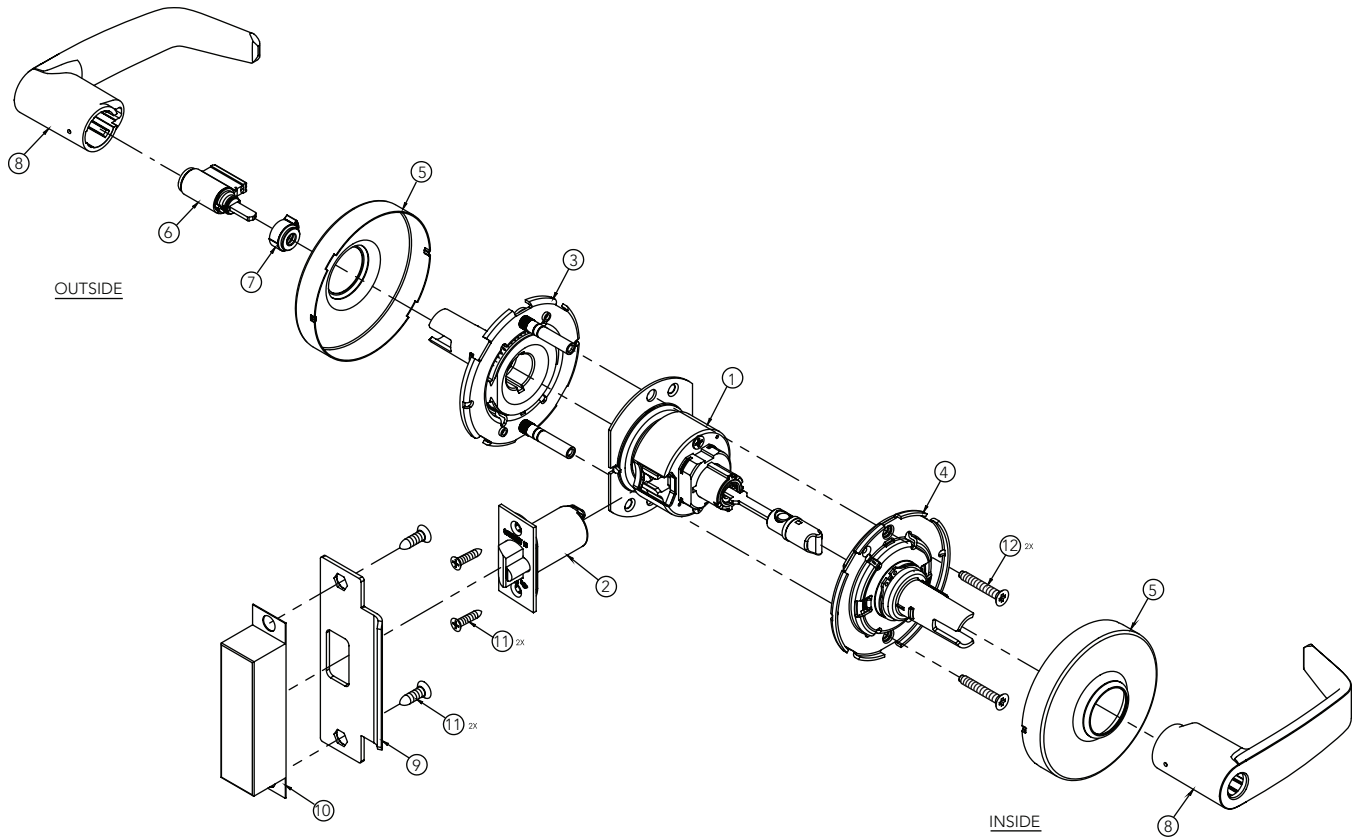
\*Finish when cylinder provided with lock

A8287:A 4/21

The warranty on SARGENT® products becomes void if the product is modified in any way, regardless of whether the modification causes or contributes to any alleged defect. If a SARGENT product is modified it may no longer meet industry certification and quality control standards applicable to the original product and is no longer a genuine SARGENT product.

Copyright © 2021 Sargent Manufacturing Company, an ASSA ABLOY Group company. All rights reserved.  
 Reproduction in whole or in part without the express written permission of Sargent Manufacturing Company is prohibited.

**Mechanical Drawing**  
10X Line Cylindrical Lever Locks



Item	Description	Page #
1	Lockbody with Mounting Plate	4
2	Latch	7
3	Spring Housing Assembly, Outside	5
4	Spring Housing Assembly, Inside	5
5	Rose	6
6	Cylinder	9
7	Cylinder Spacer	10
8	Lever	11
9	Strike	8
10	Strike Box	8
11	Latch & Strike Screws	6
12	Throughbolt Screws	6

Experience a safer  
and more open world

The warranty on SARGENT® products becomes void if the product is modified in any way, regardless of whether the modification causes or contributes to any alleged defect. If a SARGENT product is modified it may no longer meet industry certification and quality control standards applicable to the original product and is no longer a genuine SARGENT product.

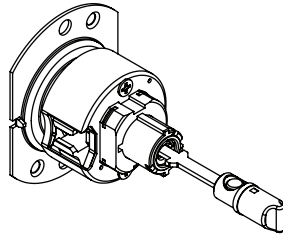
Copyright © 2021 Sargent Manufacturing Company, an ASSA ABLOY Group company. All rights reserved.  
Reproduction in whole or in part without the express written permission of Sargent Manufacturing Company is prohibited.

## Lockbodies & Mounting Plate

### 10X Line Cylindrical Lever Locks

**SARGENT**

**ASSA ABLOY**



Standard Lockbody

### Lockbody (Includes Mounting Plate)

Description	Function	Part Number	
		Std/Rigid Lever	Freewheeling
Storeroom or Closet	10XG04	10-3586	10-3587
Entrance or Office	10XG05	10-3588*	10-3589*
Communicating Storeroom	10XG07	10-3590	10-3591
Communicating Classroom	10XG08	10-3592	10-3593
Exit	10XG13	10-3586	10-3587
Patio or Privacy	10XG14	10-3618*	10-3619*
Passage	10XU15	10-3596	N/A
Exit or Communicating	10XG15-3	10-3597	N/A
Classroom Security, Apartment, Exit, Privacy	10XG16	10-3598	10-3599
Utility, Asylum or Institutional	10XG17	10-3600	10-3601
Entrance or Office	10XG24	10-3594*	10-3595*
Store or Storeroom	10XG26	10-3602	10-3603
Communicating	10XG30	10-3604	10-3605
Classroom	10XG37	10-3606	10-3607
Classroom Security Intruder	10XG38	10-3606	10-3607
Service Station	10XG44	10-3608*	10-3609*
Hotel, Dormitory or Apartment	10XG50	10-3610*	10-3611*
Corridor/Dormitory (modified)	10XG53	10-3612*	10-3613*
Corridor/Dormitory	10XG54	10-3614*	10-3615*
Barrier Free Storeroom/Public Restroom	10XG60	10-3620	10-3621
Time Out Lock	10XG64	10-3616*	10-3617*
Privacy/Bathroom	10XU65	10-3618*	10-3619*
Hospital Privacy	10XU68	10-3618*	10-3619*

### Mounting Plates

Part Number	Description
10-1071	Outside Support/Mounting Plate 1-3/8" - 2" Door
10-3656	Outside Mounting Plate Assembly Functions 15-3, 07, 08

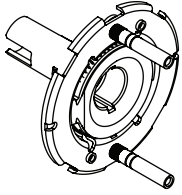
\*Includes finished button. Specify Finish

## Spring Housing Assemblies

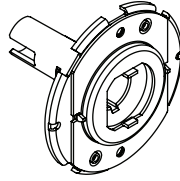
### 10X Line Cylindrical Lever Locks

**SARGENT**

**ASSA ABLOY**



Part No. 10-3571  
Spring Housing Assembly, Outside



Part No. 10-3572  
Spring Housing Assembly, Inside

### Outside Spring Housing Assemblies

Part Number	Description
10-3571	All Functions except 07, 08, 15-3, 93, 94
10-3579	All Functions for Keso Cylinders
10-3584	All Functions for Yale® LFIC

### Inside Spring Housing Assemblies

Part Number	Description
10-3572	Functions 04, 05, 13, 14,15, 15-3, 24, 37, 44, 50, 53, 54, 60, 64, 65, 68
10-3622	Functions 16, 17, 26, 30, 38
10-3580	Functions 16, 17, 26, 30, 38 for Keso Cylinders
10-3585	Functions 16, 17, 26, 30, 38 for Yale® LFIC

### Dummy Spring Housing Assemblies

Part Number	Description
10-3573	Outside 93, 94, 94-2
10-3574	Inside 94, 94-2

Experience a safer  
and more open world

The warranty on SARGENT® products becomes void if the product is modified in any way, regardless of whether the modification causes or contributes to any alleged defect. If a SARGENT product is modified it may no longer meet industry certification and quality control standards applicable to the original product and is no longer a genuine SARGENT product.

Copyright © 2021 Sargent Manufacturing Company, an ASSA ABLOY Group company. All rights reserved.  
Reproduction in whole or in part without the express written permission of Sargent Manufacturing Company is prohibited.

## Roses & Misc.

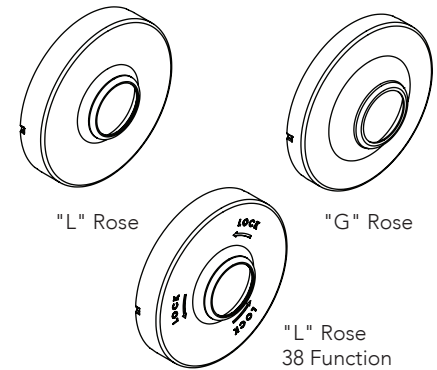
### 10X Line Cylindrical Lever Locks

# SARGENT®

# ASSA ABLOY

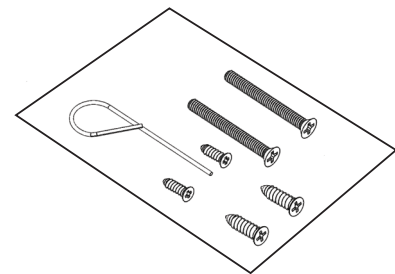
### Roses

Part Number	Description	Function
10-0790*	G Rose/Scalp	All
10-0804*	G Rose/Scalp	Inside 38
10-0798*	L Rose/Scalp	All
10-0805*	L Rose/Scalp	Inside 38
10-1260*	Blank Rose/Plate	07, 08, 15-3



### Screw Packs - Complete

Part No.	Description
10-1224*	Standard (with 808 ANSI 4-7/8" strike screws)
10-1225*	93 Function
10-1250*	29- Option (with 800 T-strike screws)
10-1226*	36- Option, 6-Lobe Torx (with ANSI & T-strike screws)
10-1227*	37- Option, Spanner Head (with ANSI & T-strike screws)



### Miscellaneous

Part No.	Description
10-3188	1-3/8" Door Adapter Plate Pack (1- option)
10-3667*	Dummy/Blank Front Pack (94-2)
10-0043	Push Pin Tool
14-0057	Emergency Release Key - Privacy/Bathroom Function (65)

\* Specify Finish

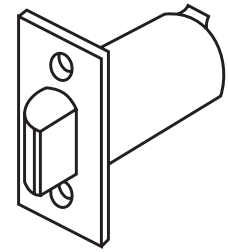
## Latches

### 10X Line Cylindrical Lever Locks



#### Plain/Unguarded Latch - 10U15, 10U65, 10U68:

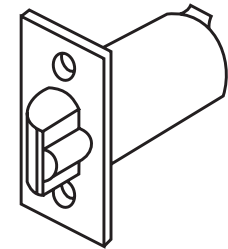
Part No.	Front	Front Width	Backset	Throw
10-3187	Square Corner	1" (25mm)	2-3/8" (60mm)	1/2" (13mm)
10-2022	Square Corner	1-1/8" (29mm)	2-3/4" (70mm)	1/2" (13mm)
10-2054	Square Corner	1-1/8" (29mm)	3-3/4" (95mm)	1/2" (13mm)
10-2057	Square Corner	1-1/8" (29mm)	5" (127mm)	1/2" (13mm)



Plain/Unguarded

#### Deadlocking/Guarded Latch - All Other Functions:

Part No.	Front	Front Width	Backset	Throw
10-3186	Square Corner	1" (25mm)	2-3/8" (60mm)	1/2" (13mm)
10-2000	Square Corner	1-1/8" (29mm)	2-3/4" (70mm)	1/2" (13mm)
10-2053	Square Corner	1-1/8" (29mm)	3-3/4" (95mm)	1/2" (13mm)
10-2058	Square Corner	1-1/8" (29mm)	5" (127mm)	1/2" (13mm)
10-2634*	Square Corner	1-1/8" (29mm)	2-3/4" (70mm)	3/4" (19mm)



Deadlocking/Guarded

\* 04/26D finish only

#### Miscellaneous:

Part No.	Description
10-2059	3-3/4" (95mm) Latch extension only
10-2060	5" (127mm) Latch extension only

When ordering latches separately, specify Part No. x Finish (e.g., 10-3186 x 32D). Screw pack must be ordered separately, see page 6.

Experience a safer  
and more open world

The warranty on SARGENT® products becomes void if the product is modified in any way, regardless of whether the modification causes or contributes to any alleged defect. If a SARGENT product is modified it may no longer meet industry certification and quality control standards applicable to the original product and is no longer a genuine SARGENT product.

Copyright © 2021 Sargent Manufacturing Company, an ASSA ABLOY Group company. All rights reserved.  
Reproduction in whole or in part without the express written permission of Sargent Manufacturing Company is prohibited.

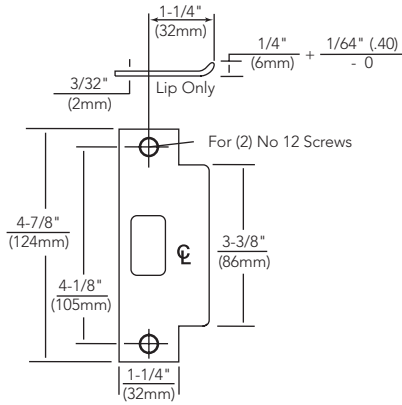
# Strikes

## 10X Line Cylindrical Lever Locks

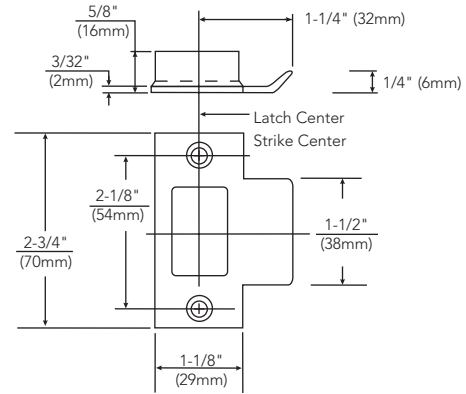
**SARGENT**

**ASSA ABLOY**

### 4-7/8" Curved Lip Strike (Standard)



### 2-3/4" Curved Lip Strike (29- Option)



- Brass, bronze or stainless steel
- Conforms to ANSI standard
- Furnished standard with curved lip 1-1/4" (32mm) from center of strike screw holes to end of lip
- Lip lengths
 

1-1/8" (29mm)	1-7/8" (48mm)	2-7/8" (73mm)
1-1/4" (32mm)	2-1/8" (54mm)	3" (76mm)
1-3/8" (35mm)	2-3/8" (60mm)	
1-5/8" (42mm)	2-5/8" (66mm)	
- 77-1141 Wrought strike box available separately
- To order strike separately, specify 808 strike x finish x lip length

- Brass, bronze or stainless steel
- Furnished standard with 1-1/4" (32mm) curved lip from center of strike screw holes to end of lip
- Lip lengths
 

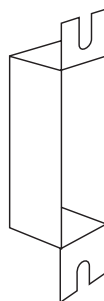
1" (25mm)	1-3/4" (44mm)
1-1/4" (32mm) standard	2" (51mm)
1-1/2" (38mm)	3" (76mm)
- Plastic strike box AM-0044 included when 29- ordered with lockset
- To order strike separately, specify 800 strike x finish x lip length

Screw pack must be ordered separately, see page 6.

### ANSI Wrought Strike Box

- Used with ANSI 4-7/8" (124mm) strike (#808)
- To order with lock, specify option WBS
- To order separately, specify 77-1141

Part No.	Description
77-1141	4-7/8" ANSI strike box



A8287:A 4/21

The warranty on SARGENT® products becomes void if the product is modified in any way, regardless of whether the modification causes or contributes to any alleged defect. If a SARGENT product is modified it may no longer meet industry certification and quality control standards applicable to the original product and is no longer a genuine SARGENT product.

Copyright © 2021 Sargent Manufacturing Company, an ASSA ABLOY Group company. All rights reserved. Reproduction in whole or in part without the express written permission of Sargent Manufacturing Company is prohibited.



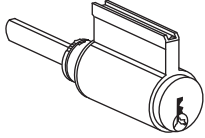
# Cylinders

## 10X Line Cylindrical Lever Locks

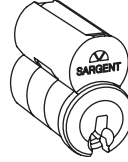
**SARGENT**

**ASSA ABLOY**

Brass, 6-pin  
2 nickel silver keys  
Finishes: 04, 15



Brass, 6-pin  
2 nickel silver keys  
Finishes: 04, 15

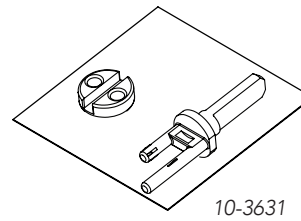


### Fixed Core Cylinders

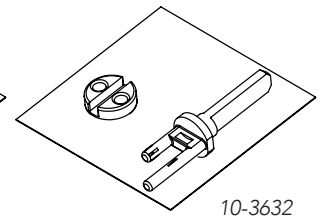
Description	Cylinder	Door Thickness	Tailpiece Pack
Conventional 6-Pin	C10X-1	1-3/8" - 2"	10-3629
		2-1/4"	10-3630
Hotel 6-Pin	C10X-2	1-3/8" - 2-1/4"	N/A
Signature 6-Pin	10-C10X-1	1-3/8" - 2"	10-3629
		2-1/4"	10-3630
XC 6-Pin	11-C10X-1	1-3/8" - 2"	10-3629
		2-1/4"	10-3630
Keso 6-Pin	F1-82-C10X-1	1-3/8" - 2"	10-3637
		2-1/4"	10-3638
Degree® - DG1 6-Pin	DG1-C10X-1	1-3/8" - 2"	10-3629
		2-1/4"	10-3630
Degree® - DG1 Hotel 6-Pin	DG1-C10X-2	1-3/8" - 2-1/4"	N/A
Degree® - DG2 6-Pin	DG2-C10X-1	1-3/8" - 2"	10-3629
		2-1/4"	10-3630
Degree® - DG3 6-Pin	DG3-C10X-1	1-3/8" - 2"	10-3629
		2-1/4"	10-3630
Schlage® C Keyway (0-Bitted)	SC-C10X-1	1-3/8" - 2"	10-3629
		2-1/4"	10-3630
Schlage® E Keyway (0-Bitted)	SE-C10X-1	1-3/8" - 2"	10-3629
		2-1/4"	10-3630

### Large Format Interchangeable Core

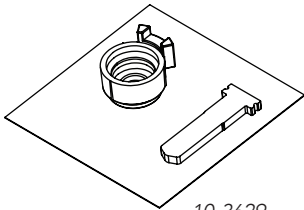
Description	Core	Door Thickness	Tailpiece Pack
Conventional 6-Pin	6300	1-3/8" - 2"	10-3631
		2-1/4"	10-3632
Signature 6-Pin	10-6300	1-3/8" - 2"	10-3631
		2-1/4"	10-3632
XC 6-Pin	11-6300	1-3/8" - 2"	10-3635
		2-1/4"	10-3636
Degree® - DG1 6-Pin	DG1-6300	1-3/8" - 2"	10-3631
		2-1/4"	10-3632
Degree® - DG2 6-Pin	DG2-6300	1-3/8" - 2"	10-3631
		2-1/4"	10-3632
Degree® - DG3 6-Pin	DG3-6300	1-3/8" - 2"	10-3631
		2-1/4"	10-3632



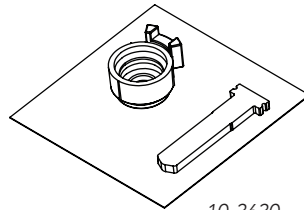
10-3631



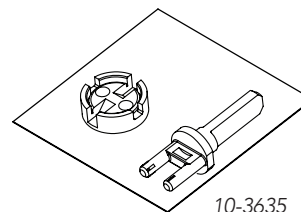
10-3632



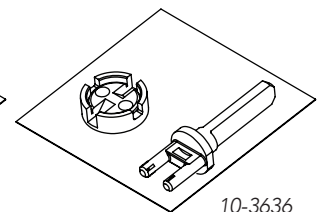
10-3629



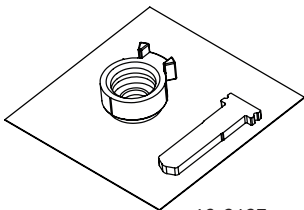
10-3630



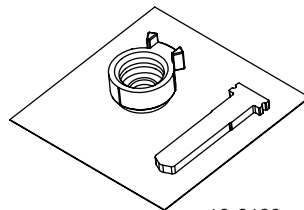
10-3635



10-3636



10-3637



10-3638

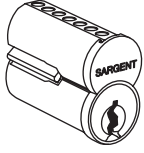
Experience a safer  
and more open world

The warranty on SARGENT® products becomes void if the product is modified in any way, regardless of whether the modification causes or contributes to any alleged defect. If a SARGENT product is modified it may no longer meet industry certification and quality control standards applicable to the original product and is no longer a genuine SARGENT product.

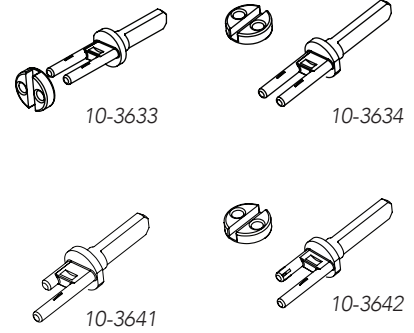
Copyright © 2021 Sargent Manufacturing Company, an ASSA ABLOY Group company. All rights reserved. Reproduction in whole or in part without the express written permission of Sargent Manufacturing Company is prohibited.

Small Format Interchangeable Core

Brass, 6 or 7 pin  
Finishes 04, 15



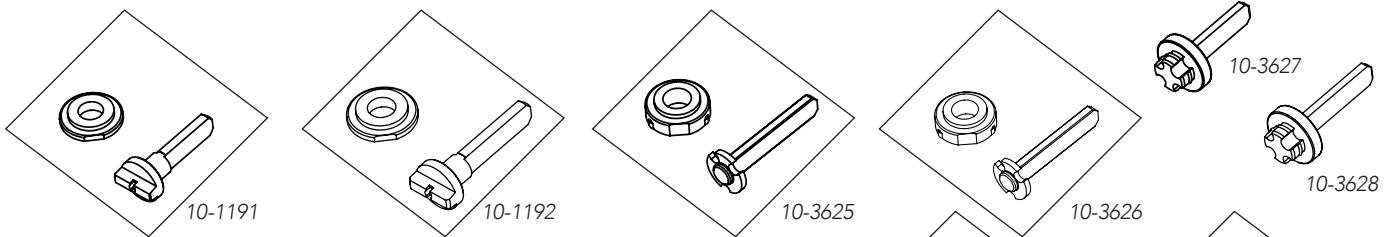
Description	Core	Door Thickness	Tailpiece Pack
SFIC 6-Pin	7300B	1-3/8" - 2"	10-3633
		2-1/4"	10-3634
SFIC 7-Pin	7P-7300B	1-3/8" - 2"	10-3641
		2-1/4"	10-3642
XC 7-Pin	11-7P-7300B	1-3/8" - 2"	10-3641
		2-1/4"	10-3642



Compatibility with Competitive Cylinders/Cores\*

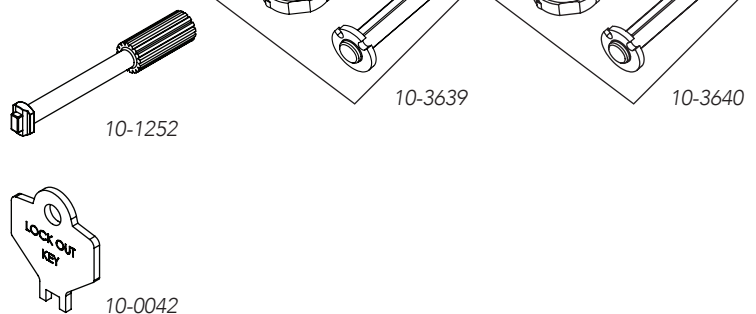
Manufacturer	Cylinder Type	Door Thickness	Tailpiece Pack	Option Code with Lock	Description
<b>Fixed Core</b>					
Schlage®	Fixed Core 6 Pin	1-3/8" - 2"	10-3625	30-	For Schlage® 6 pin conventional cylinders (21-002, 23-001 or 23-013) or Schlage Primus cylinders (20-548, 20-550, 20-748 or 20-750). Option code with lock includes tailpiece.
		2-1/4"	10-3626		
Yale®	Fixed Core 6- or 7- Pin	1-3/8" - 2"	10-3639	YC- (6-Pin)	For Yale® 6 pin conventional cylinders (1803-46L/1803-46LL). Or 7 pin conventional cylinders (1803A-46L/1803A-46LL). Option code with lock includes tailpiece.
		2-1/4"	10-3640	YC-7P- (7Pin)	
<b>Interchangeable Core</b>					
All	SFIC 6 or 7 Pin	1-3/8" - 2"	10-3633	70-, 72-, 73-	For all SFIC 6 and 7 pin cores. Option code with lock includes special lever and tailpiece.
		2-1/4"	10-3634		
Schlage®	LFIC 6 Pin	1-3/8" - 2"	10-3627	SF-	For Schlage® 6 pin large format interchangeable cores. Option code with lock includes special lever and tailpiece.
		2-1/4"	10-3628		
Yale®	LFIC 6 Pin	1-3/8" - 2"	10-1191	YRC-	For Yale® 6 pin large format interchangeable cores. Option code with lock includes special lever and tailpiece.
		2-1/4"	10-1192		

\* Cylinder/core not included unless defined by option code.



Miscellaneous Parts

Part #	Description
10-1111	Spacer Only - Fixed Core Cylinder
10-1112	Spacer Only - Keso
10-1115	Spacer Only - LFIC/SFIC
10-1252	Hotel Adjustment Tool
10-0042	Lockout Key (50 Function)
C10X-3	Emergency Release Cylinder - Privacy/Bathroom Function (65)

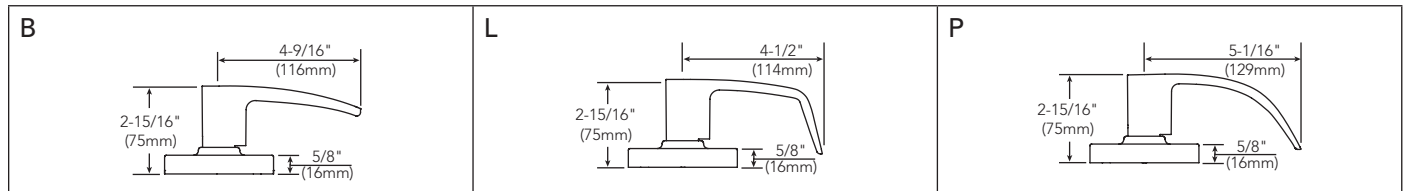


A8287:A 4/21

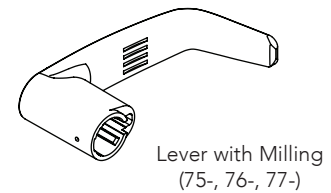
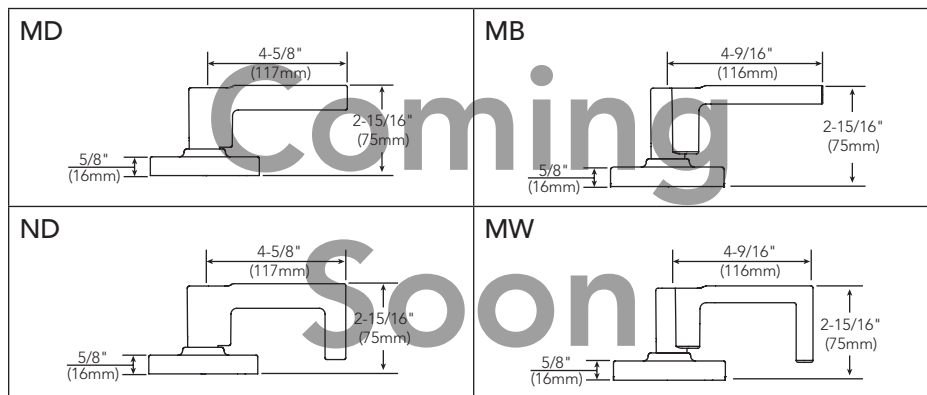
The warranty on SARGENT® products becomes void if the product is modified in any way, regardless of whether the modification causes or contributes to any alleged defect. If a SARGENT product is modified it may no longer meet industry certification and quality control standards applicable to the original product and is no longer a genuine SARGENT product.

Copyright © 2021 Sargent Manufacturing Company, an ASSA ABLOY Group company. All rights reserved. Reproduction in whole or in part without the express written permission of Sargent Manufacturing Company is prohibited.

Levers - Solid Cast Zinc



Decorative Levers



Levers for Doors 1-3/8" to 2-1/4" (Specify finish)

Application	B	L	P	MB	MD	MW	ND
Passage/plain	10-1121	10-1128	10-1137	10-1263	10-1240	10-1268	10-1245
Push/turn button, T-turn (68), emergency release (65), fixed core cylinder (SARGENT® 6-pin)	10-1120	10-1127	10-1136	10-1264	10-1241	10-1269	10-1246
Fixed core cylinder (Corbin Russwin 6/7-pin, Schlage® 6-pin, Yale® 6/7-pin)	10-1122	10-1129	10-1138	10-1265	10-1242	10-1270	10-1247
LFIC (SARGENT® 60-, 63-, 64-)	10-1123	10-1130	10-1139	10-1266	10-1243	10-1271	10-1248
LFIC (Schlage® 6-pin SF-)	10-1125	10-1132	10-1141	N/A	N/A	N/A	N/A
LFIC (Yale® 6-pin YRC-)	N/A	10-1134	10-1143	N/A	N/A	N/A	N/A
SFIC 6/7-pin (70-, 72-, 73-)	10-1124	10-1131	10-1140	10-1267	10-1244	10-1272	10-1249
KESO cylinder (SARGENT® 82-)	10-1126	10-1133	10-1142	N/A	N/A	N/A	N/A

Levers with Milling for Doors 1-3/8" to 2-1/4" (Specify finish)

Application	B	L	P	MB	MD	MW	ND
Passage/plain	10-1146	10-1153	10-1162	N/A	N/A	N/A	N/A
Push/turn button, T-turn (68), emergency release (65), fixed core cylinder (SARGENT® 6-pin)	10-1145	10-1152	10-1161	N/A	N/A	N/A	N/A
Fixed core cylinder (Corbin Russwin 6/7-pin, Schlage® 6-pin, Yale® 6/7-pin)	10-1147	10-1154	10-1163	N/A	N/A	N/A	N/A
LFIC (SARGENT® 60-, 63-, 64-)	10-1148	10-1155	10-1164	N/A	N/A	N/A	N/A
LFIC (Schlage® 6-pin SF-)	10-1150	10-1157	10-1166	N/A	N/A	N/A	N/A
LFIC (Yale® 6-pin YRC-)	N/A	10-1159	10-1168	N/A	N/A	N/A	N/A
SFIC 6/7-pin (70-, 72-, 73-)	10-1149	10-1156	10-1165	N/A	N/A	N/A	N/A
KESO cylinder (SARGENT® 82-)	10-1151	10-1158	10-1167	N/A	N/A	N/A	N/A

Experience a safer  
and more open world

The warranty on SARGENT® products becomes void if the product is modified in any way, regardless of whether the modification causes or contributes to any alleged defect. If a SARGENT product is modified it may no longer meet industry certification and quality control standards applicable to the original product and is no longer a genuine SARGENT product.

Copyright © 2021 Sargent Manufacturing Company, an ASSA ABLOY Group company. All rights reserved.  
Reproduction in whole or in part without the express written permission of Sargent Manufacturing Company is prohibited.

The ASSA ABLOY Group is the global leader in access solutions. Every day, we help billions of people experience a more open world.

ASSA ABLOY Opening Solutions leads the development within door openings and products for access solutions in homes, businesses and institutions. Our offering includes doors, frames, door and window hardware, locks, perimeter fencing, access control and service.

**SARGENT**<sup>®</sup>  
**ASSA ABLOY**

SARGENT Manufacturing Company  
100 Sargent Drive  
New Haven, CT 06511 USA  
800-727-5477  
[www.sargentlock.com](http://www.sargentlock.com)

Founded in the early 1800s, SARGENT<sup>®</sup> is a market leader in locksets, cylinders, door closers, exit devices, electro-mechanical products and access control systems for new construction, renovation, and replacement applications. The company's customer base includes commercial construction, institutional, and industrial markets.

Copyright © 2021, Sargent Manufacturing Company, an ASSA ABLOY Group company. All rights reserved. Reproduction in whole or in part without the express written permission of Sargent Manufacturing Company is prohibited. Patent pending and/or patent [www.assaabloyds.com/patents](http://www.assaabloyds.com/patents).

A8287:A 04/21