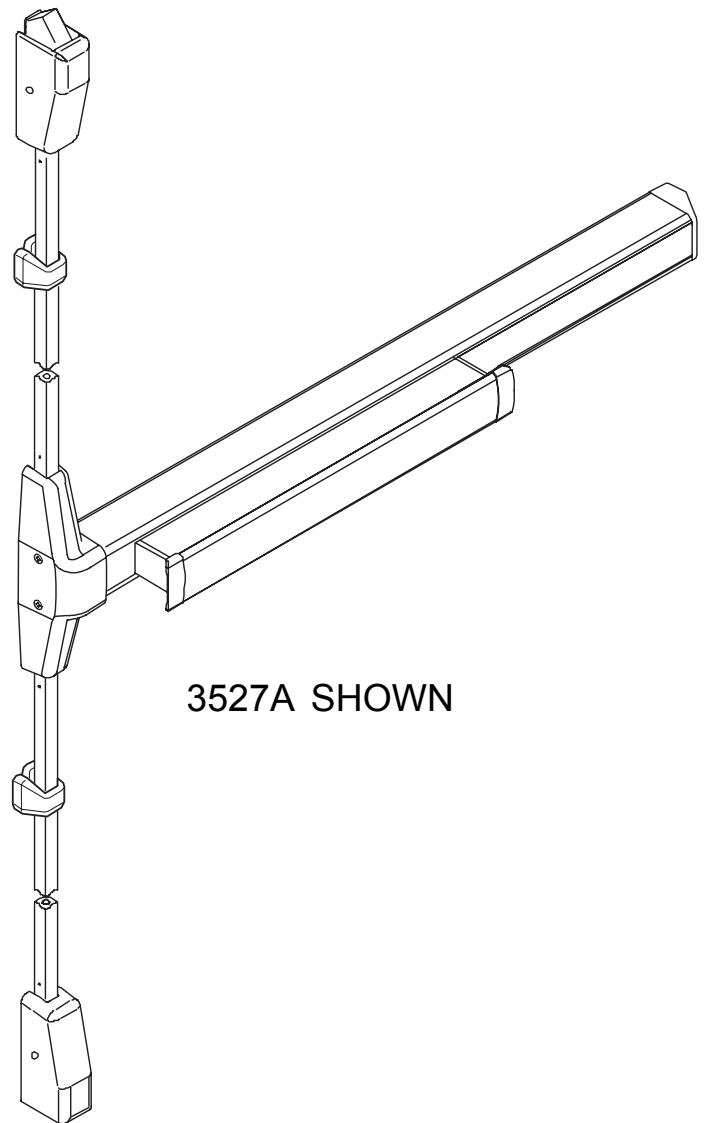


VON DUPRIN®

3327A/3527A Series Exit Device

Service manual



3527A SHOWN

INDEX

3327A/3527A Fire and Panic Devices	
Basic Device	4-5
Vertical Rods and Latches	6-7
LBR Fire Latch Kit	8
Baseplate Assembly	9
Variations of the Basic Device	
CD (Cylinder Dogging)	4-5
HD-EL (Hex Dogging/Electric Latch Retraction)	10
EL (Electric Latch Retraction)	11
SS (Signal Switch)	11
RX (Request to Exit)	12-13
LX (Latch Bolt Monitoring)	12-13
ALK (Exit Alarm Kit)	14-15
General Information	
Introduction	2
How to Order	2
Part Number Changes	2
Finishes	3
Outside Trim Functions	3
Strikes	3

INTRODUCTION

This manual contains a listing of replaceable parts and assemblies for the 3327A/3527A Panic Exit Hardware Devices. (3327A Series and 3527A Series devices are almost identical. The 3327A Series has a grooved case; the 3527A Series has a smooth case.)

HOW TO ORDER

Some parts are sold separately. Other items are available as part of a kit or multiple quantity package. For the best possible service when ordering replacement parts or assemblies, please provide the following information:

- Part number or assembly number
- Description
- Quantity needed
- Finish desired (if available finished)
- Date of original purchase (if known)

To find out the name of your local Von Duprin distributor or sales representative, contact:

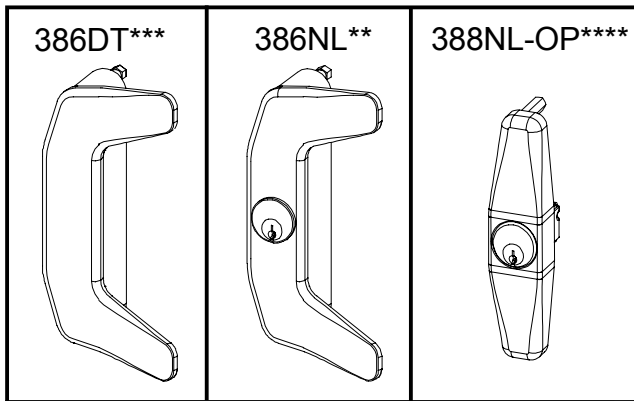
Von Duprin Division
Allegion
2720 Tobey Drive
Indianapolis, IN 46219
Phone: (877) 671-7011

PART NUMBER AND AVAILABILITY CHANGES

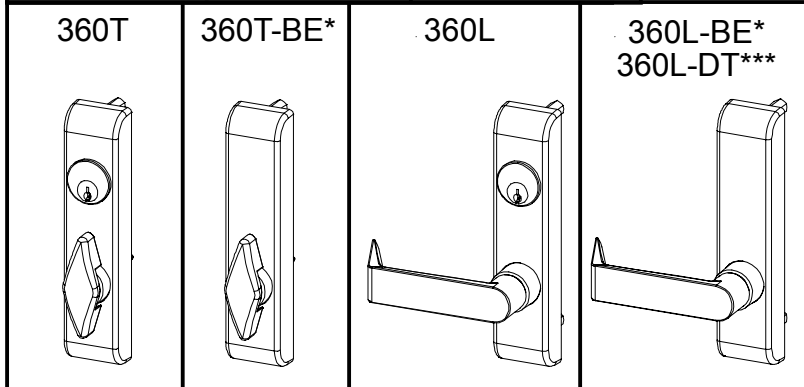
This manual was designed to help illustrate the replacement parts and kits that are available for sale. Because of changes to the product and/or manufacturing process, part numbers and availability can change over time.

OUTSIDE TRIM FUNCTIONS

33A/35A SERIES FINISHES



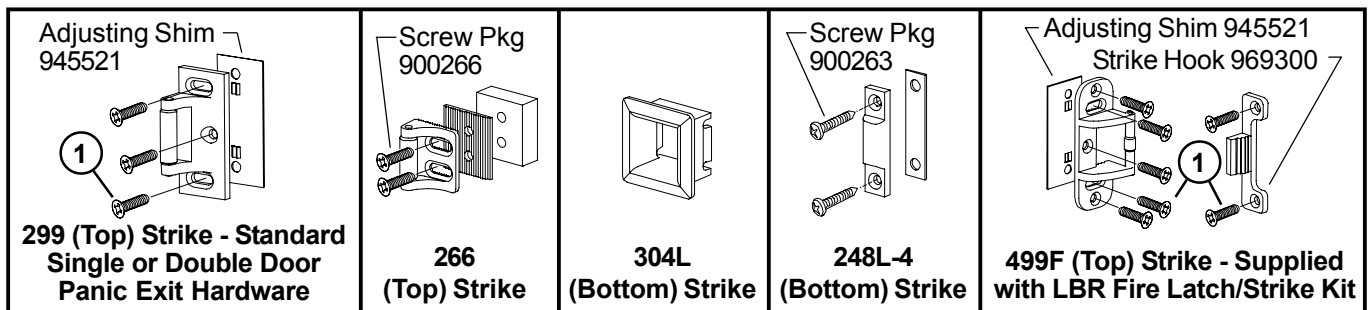
U.S. Std Reference	BHMA Reference	Description
US3	605	Polished Brass
US4	606	Dull Brass
US10	612	Dull Bronze
US15	619	Satin Nickel
US26	625	Polished Chrome
US26D	626	Dull Chrome
US28	628	Anodized Alum. (Clear)
313AN	710	Anodized Alum. (313) Dark Bronze
315AN	711	Anodized Alum. (Black)



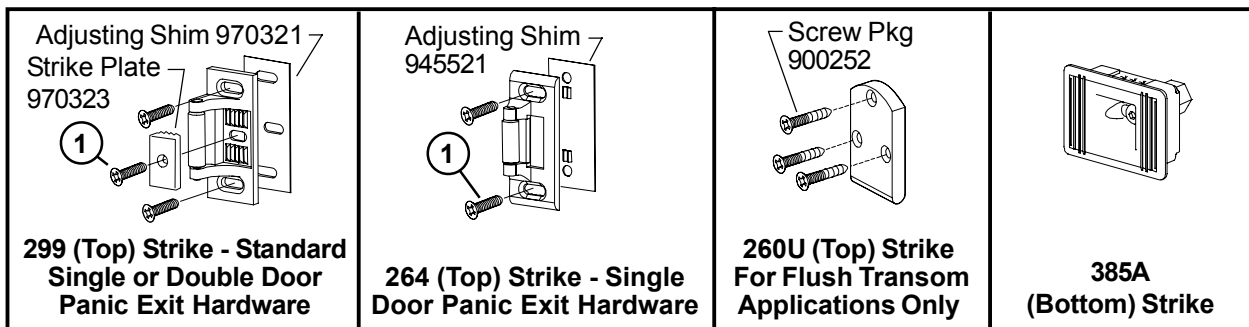
- * "BE" (Blank Escutcheon) no cylinder used - lever always active
- ** "NL" (Night Latch) rigid lever - key retracts latch bolt
- *** "DT" (Dummy Trim) rigid lever for pull operation
- **** "NL-OP" (Optional Pull) needs to be added

STANDARD STRIKES

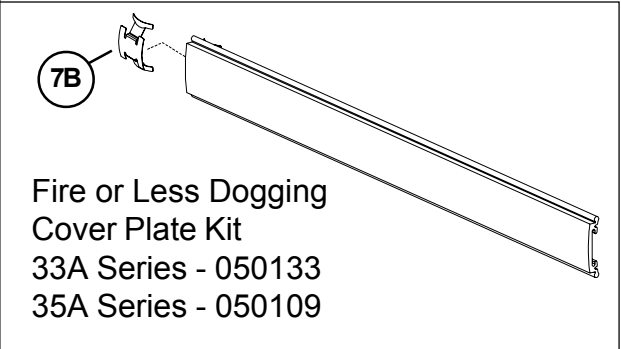
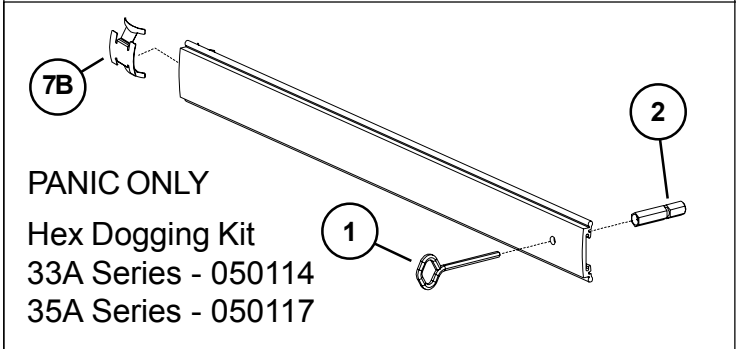
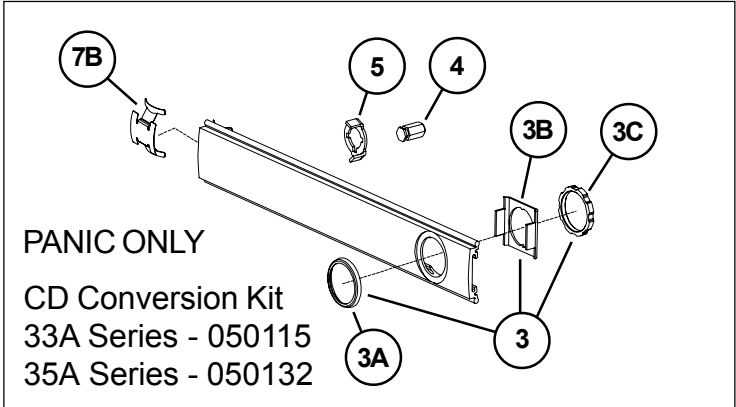
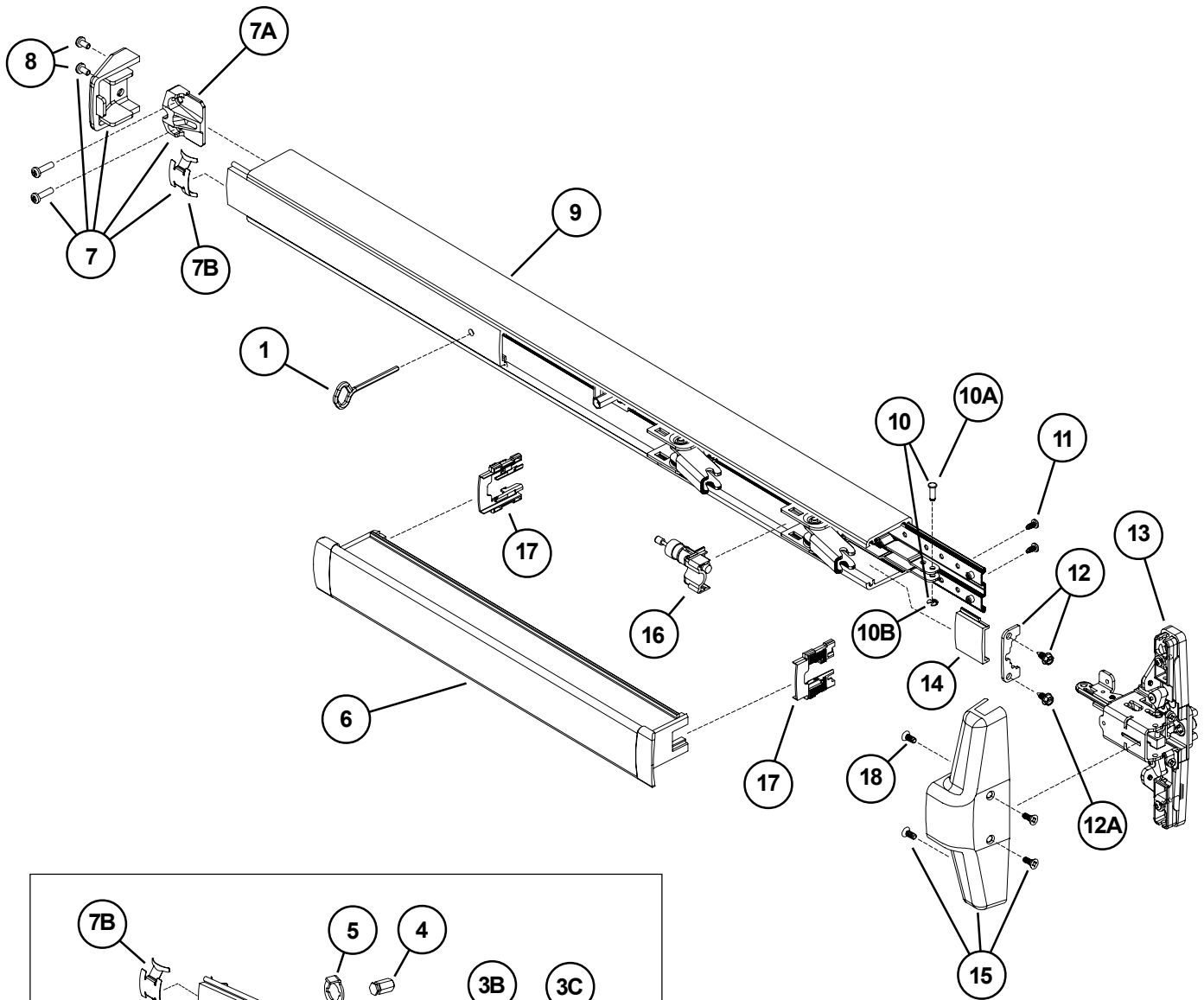
- ① Metal Door Screw Package PKGSRV.1023 (Pkg of 10)
- Wood Door Screw 964291 (Qty of 1)



OPTIONAL STRIKES FOR PANIC EXIT HARDWARE



3327A/3527A PANIC AND 3327A-F/3527A-F FIRE EXIT DEVICE



3327A/3527A PANIC AND 3327A-F/3527A-F FIRE EXIT DEVICE

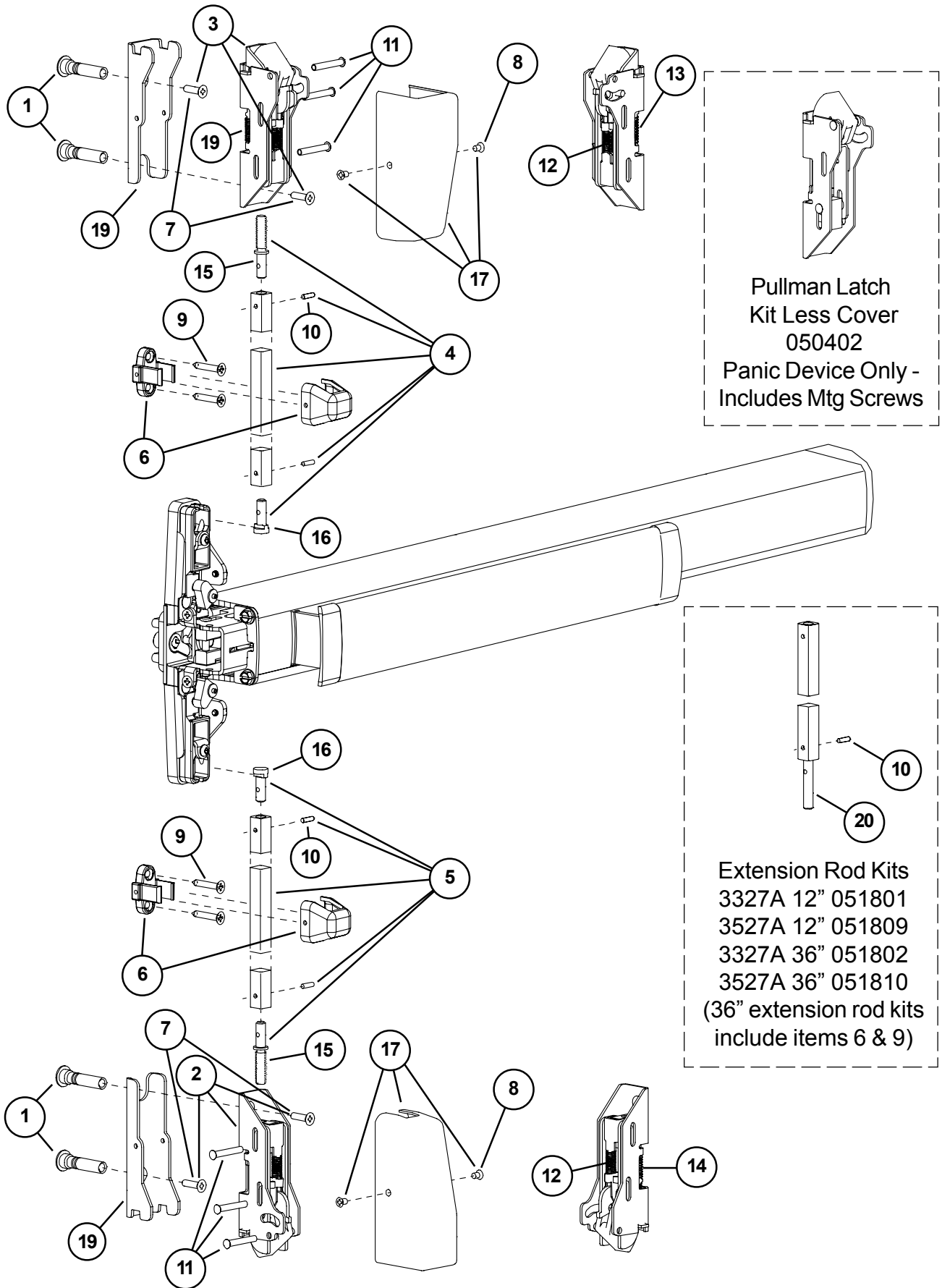
Item No.	Quantity	Part No.	Description	Finish
	1	900619	33A/35A Series Mounting Pkg. (1-3/4 & 2-1/4)	
1	1	090085	227 Dog Key 5/32" Hex (Pkg of 10)	
1	1	090005	227 Dog Key 5/32" Hex (Pkg of 2)	
2	1	090040	Hex Dog Shaft (Pkg of 2)	
3	1	107813	Cylinder Mounting Pkg	X
3A	1	050525	Cylinder Collar	X
3B	1	050490	Cylinder Locating Washer - CD/SS	
3C	1	050526	Cylinder Locknut	
4	1	090046	CD Dogging Plug (Pkg of 2)	
5	1	090045	CD Actuator Arm (Pkg of 2)	
6	1	*PBKIT	33A/35A Series Push Bar Retrofit Kit - 3' Door	X
6	1	*PBKIT	33A/35A Series Push Bar Retrofit Kit - 4' Door	X
7	1	050014	33A/35A Series End Cap Kit	X
7A	1	050524	Impact Resistant End Cap Bracket	
7B	1	090036	Cover Plate Anti-rattle Spring (Pkg of 10)	
8	1	900597	Device End Cap and C/Case Screw Pkg.	X
9	1	050486	33A Series Mechanism Case - 3' Door	X
9	1	050487	33A Series Mechanism Case - 4' Door	X
9	1	050488	35A Series Mechanism Case - 3' Door	X
9	1	050489	35A Series Mechanism Case - 4' Door	X
10	1	050529	Control Link Pin & Ret. Ring	
10A	1	090031	Control Link Pin (Pkg of 10)	
10B	1	090107	Retaining Ring (Pkg of 10)	
11	2	090037	#8-32 x 3/8" Baseplate Screw (Pkg of 10)	
12	1	050530	Mechanism Case Bracket Kit	
12A	2	090073	Mechanism Case Bracket Screw (Pkg of 10)	
13**	1	050404	3327A/3527A Center Case Less Cover	
14	1	050474	33A Series Cover Plate - C. Case Side	X
14	1	050475	35A Series Cover Plate - C. Case Side	X
15	1	050484	3327A/3527A Center Case Cover Kit	X
16	1	050491	Shock Absorber & Holder Assembly	
17	2	090049	Push Bar Guide (Pkg of 10)	
18	4	900892	Center Case Cover Screws (Pkg of 4)	X

X in "Finish" column designates finished items; finish must be specified when ordering.

* To order, specify device type, size, and finish. Example: PBKIT 33A 3' US28

** Device mounting screws 900619 included.

3327A/3527A VERTICAL RODS AND LATCHES



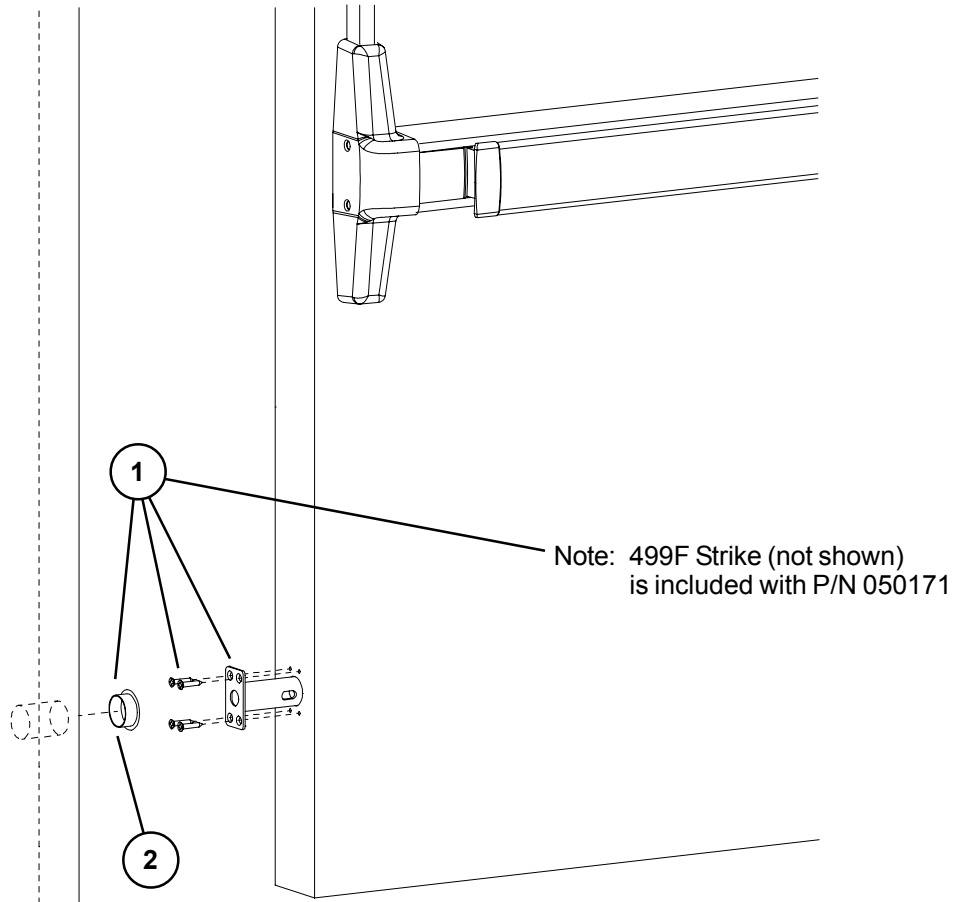
3327A/3527A VERTICAL RODS AND LATCHES

Item No.	Quantity	Part No.	Description	Finish
1	2	034902	325 Sex Bolt Package (Pkg of 2)	X
2	1	050401	33/3527A Bottom Latch Kit Less Cover	
3	1	050400	33/3527A Top Latch Kit Less Cover	
4	1	050512	3327A Top Rod Kit	X
4	1	050513	3527A Top Rod Kit	X
5	1	050514	3327A Bottom Rod Kit	X
5	1	050515	3527A Bottom Rod Kit	X
6	2	105952	33/3527A Rod Guide Pkg	X
7	1	900589	Latch Mounting Package (Pkg of 4)	
8	2	900850	Latch Case Cover Screw (Pkg of 2)	X
9	2	900565	Rod Guide Mounting Package	
10	4	090054	Rod Roll Pin (Pkg of 10)	
11	6	090055	Housing Guide Pin (Pkg of 10)	
12	2	090065	Bolt Return Spring (Pkg of 10)	
13	1	090056	Top Latch Compression Spring (Pkg of 10)	
13	1	090057	PL Top Latch Spring (Pkg of 10)	
14	1	090058	Bottom Latch Case Spring (Pkg of 10)	
15	2	090067	Rod Connector - Latch (Pkg of 2)	
16	2	090068	Rod Connector - Center Case (Pkg of 2)	
17	2	050496	Latch Case Cover Kit w/Screws	X
18	1	090076	Aux. Bolt Spring (Pkg of 10)	
19	2	050546	Latch Case Mtg. Bracket	
20	1	090075	Rod Extension Connector (Pkg of 4)	

X in "Finish" column designates finished items; finish must be specified when ordering.

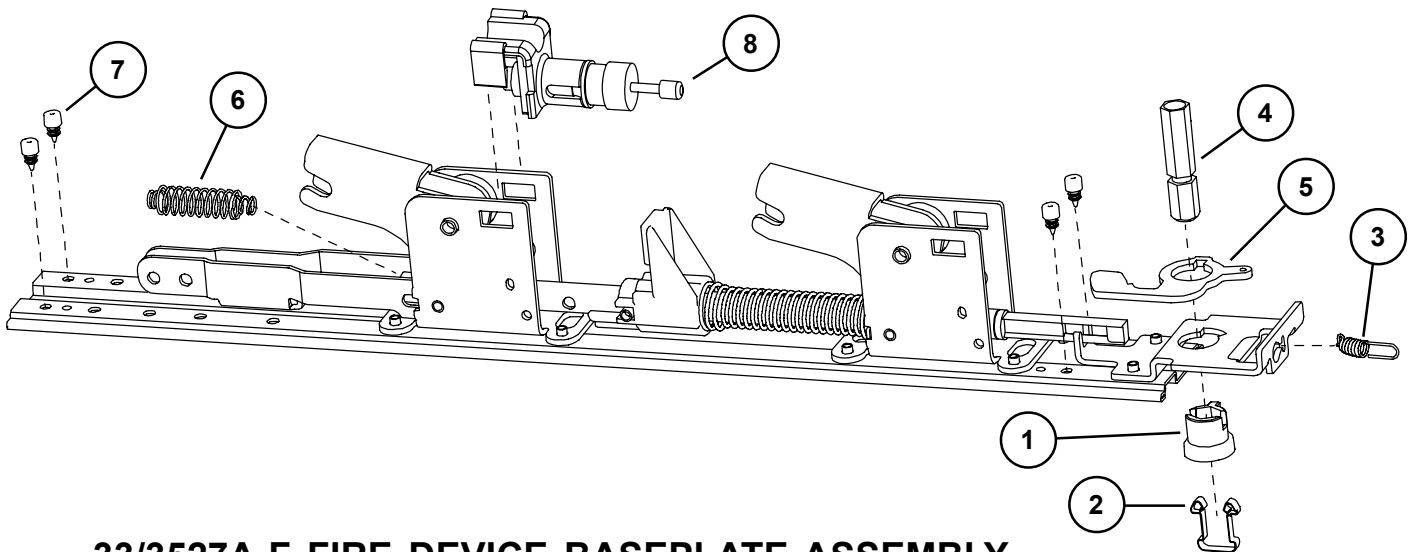
33/3527A-F LBR (LESS BOTTOM ROD) FIRE LATCH KIT

Item No.	Quantity	Part No.	Description	Finish
1	1	050171	LBR Fire Latch/Strike kit	
2	1	050509	LBR Fire Strike Plug	



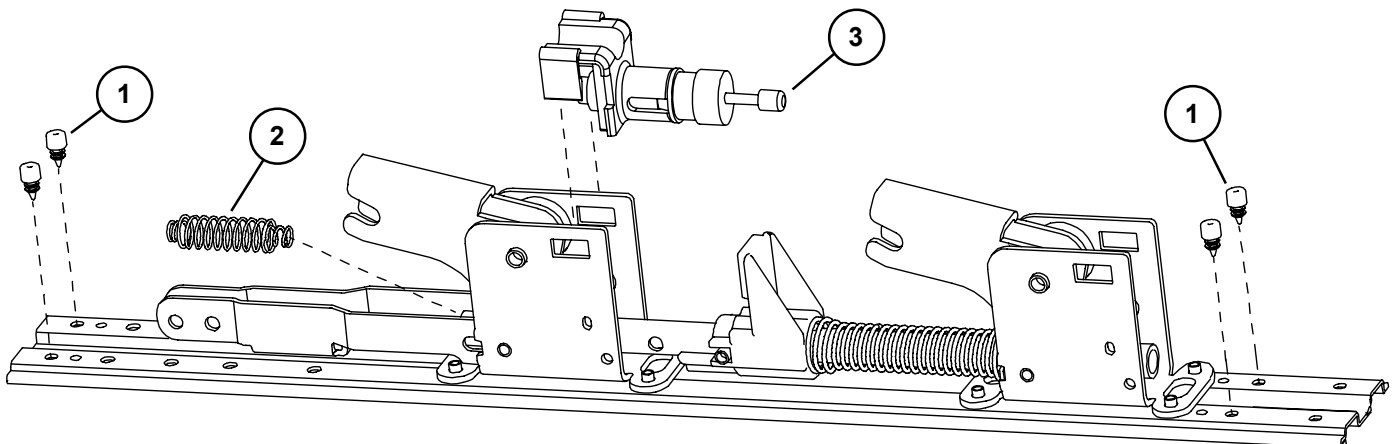
3327A/3527A PANIC DEVICE BASEPLATE ASSEMBLY

Item No.	Quantity	Part No.	Description	Finish
1	1	090043	Dogging adapter (Pkg of 2)	
2	1	090042	Dogging adapter spring (Pkg of 2)	
3	1	090041	Dogging spring (Pkg of 2)	
4	1	090040	Hex dogging shaft (Pkg of 2)	
5	1	090044	Dogging hook (Pkg of 2)	
6	1	090039	Latch return spring (Pkg of 10)	
7	4	090038	Rubber bumper (Pkg of 4)	
8	1	050491	Shock absorber	



33/3527A-F FIRE DEVICE BASEPLATE ASSEMBLY

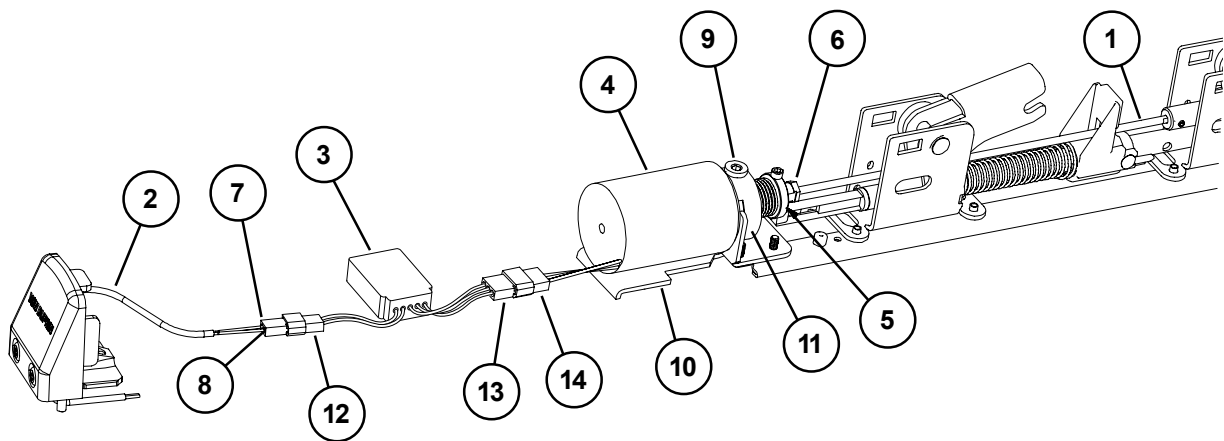
Item No.	Quantity	Part No.	Description	Finish
1	4	090038	Rubber bumper (Pkg of 4)	
2	1	090039	Latch return spring (Pkg of 10)	
3	1	050491	Shock absorber	



HD-EL3327A/HD-EL3527A HEX DOGGING/ELECTRIC LATCH RETRACTION OPTION - PANIC DEVICE ONLY

Item No.	Quantity	Part No.	Description	Finish
1	1	050531	EL Dogging Rod Kit - 3' device	
1	1	050532	EL Dogging Rod Kit - 4' device	
2	1	110388	EL 6' Cable and Connector	
3	1	050534	EL Potted Module	
4	1	050536	HD-EL Solenoid	
5	1	050537	HD-EL Solenoid Plunger	
6	1	050538	EL Dogging Rod Retainer	
7	1	050539	EL Receptacle Connector - 2 Position	
8	2	050540	EL Female Terminal	
9	1	050541	HD-EL Dog Screw	
10	1	050542	HD-EL Solenoid Bracket	
11	1	050543	HD-EL Dogging Spring	
12	1	990599	EL Plug Connector - 2 Position	
13	1	990857	EL Receptacle Connector - 3 Position	
14	1	990858	EL Plug Connector - 3 Position	
*	1	050384	HD-EL Conversion Kit - 3'	
*	1	050385	HD-EL Conversion Kit - 4'	

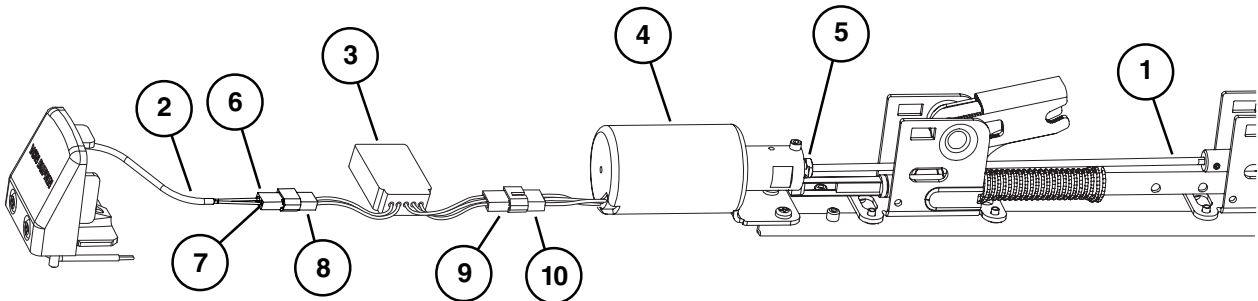
*Kit includes items 1-11 plus new control link, retaining ring, and baseplate screws.



EL3327A/EL3527A ELECTRIC LATCH RETRACTION OPTION

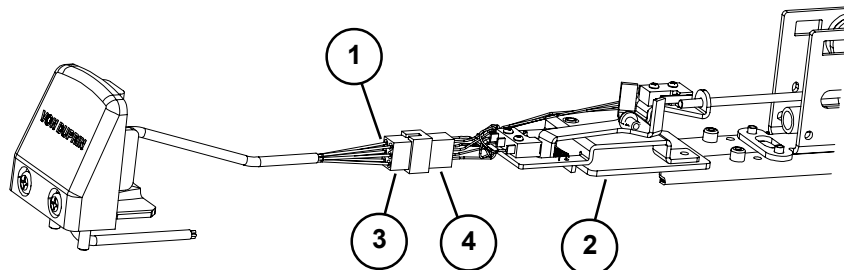
Item No.	Quantity	Part No.	Description	Finish
1	1	050531	EL Dogging Rod Kit - 3' device	
1	1	050532	EL Dogging Rod Kit - 4' device	
2	1	110388	EL 6' Cable and Connector	
3	1	050534	EL Potted Module	
4	1	050535	EL Solenoid Assembly	
5	1	050538	EL Dogging Rod Retainer	
6	1	050539	EL Receptacle Connector	
7	2	050540	EL Female Terminal	
8	1	990599	EL Plug Connector - 2 Position	
9	1	990857	EL Receptacle Connector - 3 Position	
10	1	990858	EL Plug Connector - 3 Position	
*	1	050070	EL Conversion Kit - 3'	
*	1	050078	EL Conversion Kit - 4'	

*Kit includes items 1-7 plus new control link pin, retaining ring, and baseplate screws.

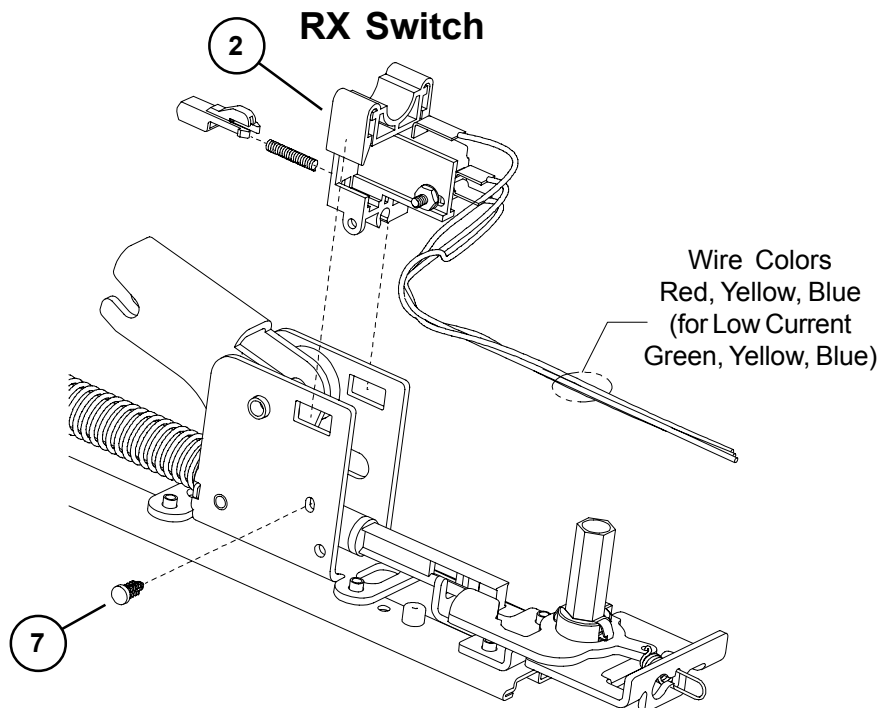
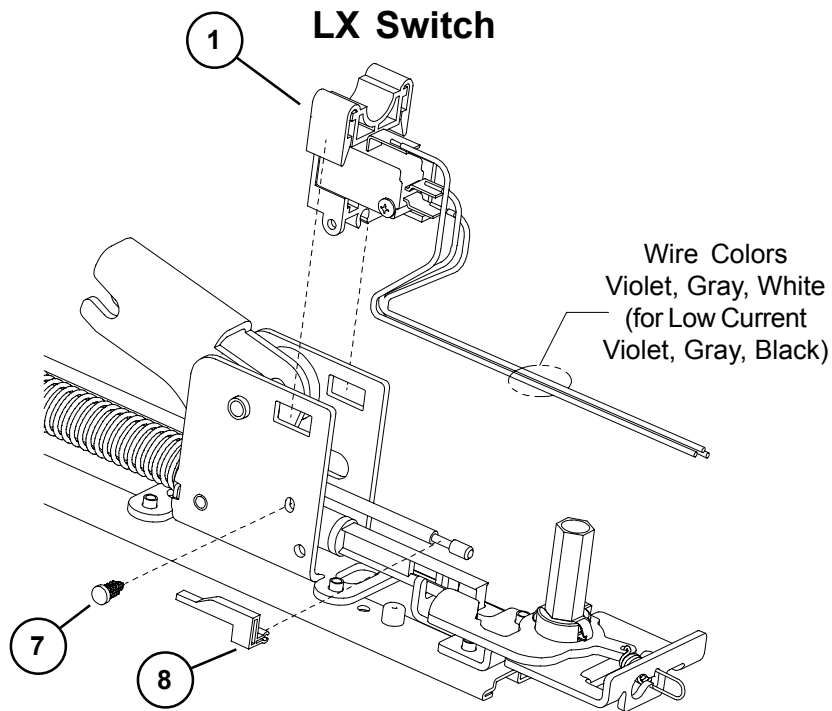


SS3327A/SS3527A (SIGNAL SWITCH) OPTION

Item No.	Quantity	Part No.	Description	Finish
1	1	050544	SS Cable	
2	1	050545	SS Housing	
3	1	990601	SS Plug Connector - 6 Position	
4	1	990602	SS Receptacle Connector - 6 Position	

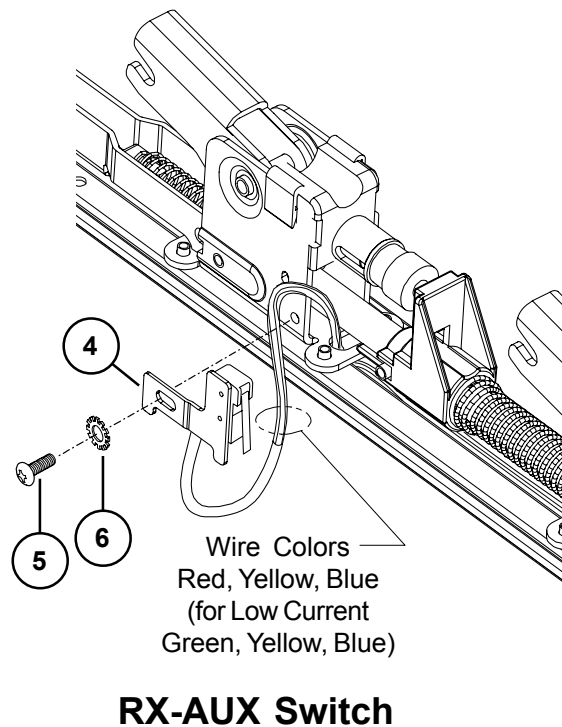
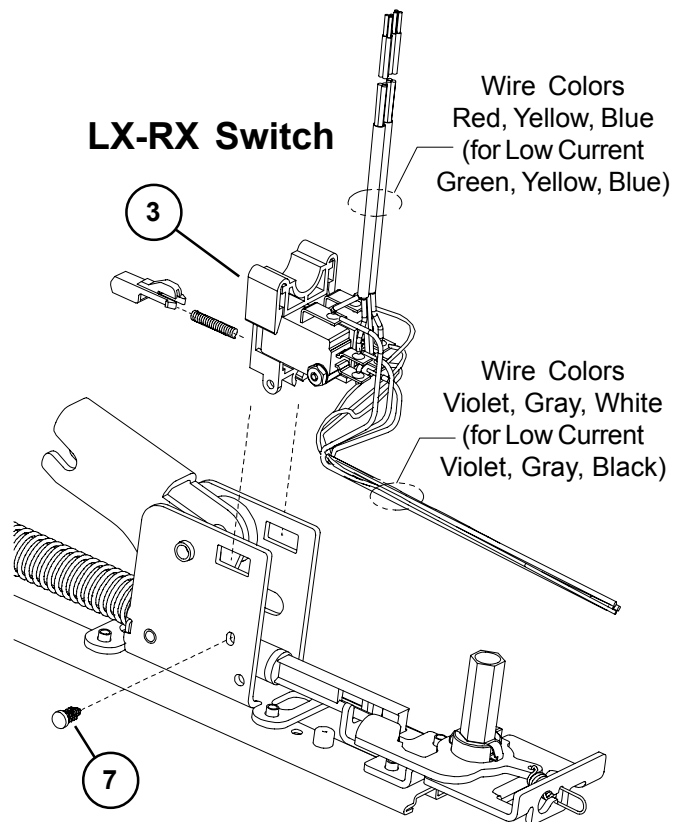


3327A/3527A LX (LATCH BOLT MONITOR) & RX (REQUEST TO EXIT) OPTIONS



3327A/3527A LX (LATCH BOLT MONITOR) & RX (REQUEST TO EXIT) OPTIONS

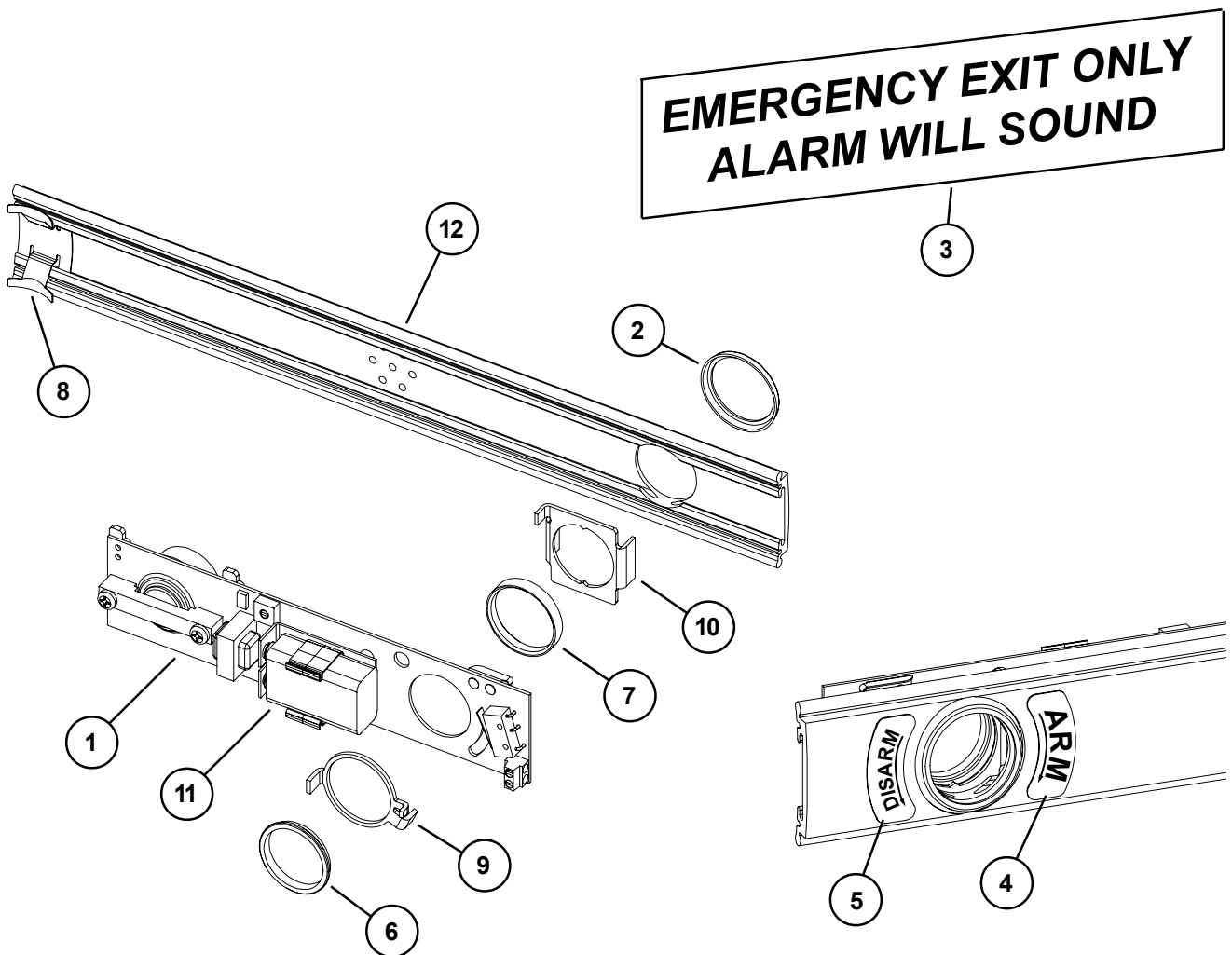
Item No.	Quantity	Part No.	Description	Finish
1	1	050254	LX Switch Kit 3' Device	
1	1	050255	LX Switch Kit 4' Device	
1	1	050247	LX-EL Switch Kit	
1	1	050283	LX-LC (Low Current) Switch Kit 3' Device	
1	1	050285	LX-LC (Low Current) Switch Kit 4' Device	
1	1	050287	LX-LC-EL (Low Current) Switch Kit	
2	1	050251	RX Switch Kit	
2	1	050281	RX-LC (Low Current) Switch Kit	
3	1	050256	LX-RX Switch Kit 3' Device	
3	1	050257	LX-RX Switch Kit 4' Device	
3	1	050259	LX-RX-EL Switch Kit	
3	1	050289	LX-RX-LC (Low Current) Sw. Kit 3' Device	
3	1	050291	LX-RX-LC (Low Current) Sw. Kit 4' Device	
3	1	050293	LX-RX-LC-EL (Low Current) Switch Kit	
2 & 4	1	050270	RX-2 Switch Kit	
4	1	050271	RX-AUX Switch Kit	
5	1	964558	8-32 x 5/16" PPHMS	
6	1	964019	#8 Washer	
7	1	090099	Pine Tree Clip (Pkg of 10)	
8	1	971091	LX Actuator	



33A/35A ALK EXIT ALARM KIT

Item No.	Quantity	Part No.	Description	Finish
1	1	111795	ALK PCB Assembly	
2	1	050525	Cylinder Collar	X
3	1	969122	ALK Alarm Device Sign	
4	1	969349	ALK Arming Label	
5	1	969350	ALK Disarming Label	
6	1	969354	Retainer Nut	
7	1	970594	ALK Cylinder Spacer	
8	1	090036	Cover Plate Anti-rattle spring (Pkg of 10)	
9	1	971556	ALK Switch Actuator	
10	1	971557	ALK Cylinder Bracket	
11	1	990637	ALK Battery	
12	1	050406	33A Series ALK Cover Plate Kit	X
12	1	050407	35A Series ALK Cover Plate Kit	X

X in "Finish" column designates finished items; finish must be specified when ordering.



About Allegion

Allegion (NYSE: ALLE) creates peace of mind by pioneering safety and security. As a \$2 billion provider of security solutions for homes and businesses, Allegion employs more than 7,800 people and sells products in more than 120 countries across the world. Allegion comprises 23 global brands, including strategic brands CISA®, Interflex®, LCN®, Schlage® and Von Duprin®.

For more, visit www.allegion.com.

aptiQ ■ LCN ■ **SCHLAGE** ■ STEELCRAFT ■ VON DUPRIN