



931229-00

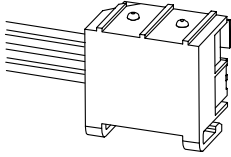
6000

VON DUPRIN®

Electric strike DS replacement kit

Installation instructions

# PARTS LIST



**Double Switch**  
Type A, Type A Gold  
Type B, or Type B Gold



**Strain relief**



**Button head screw**  
#6-32 X 1/4" (2)

# INSTALLATION



## NOTES

- Turn off power to strike before removal.

**1** Remove strike from door frame, unplug wiring plugs, and remove strike box from faceplate as shown (Figure 1).

**2** Remove box cover (5/64" Allen wrench) and remove old double switch (Figure 2).

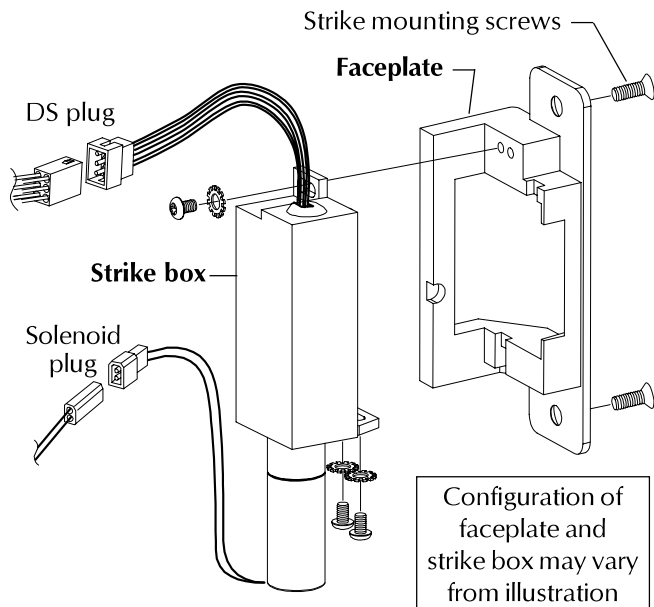


Figure 1

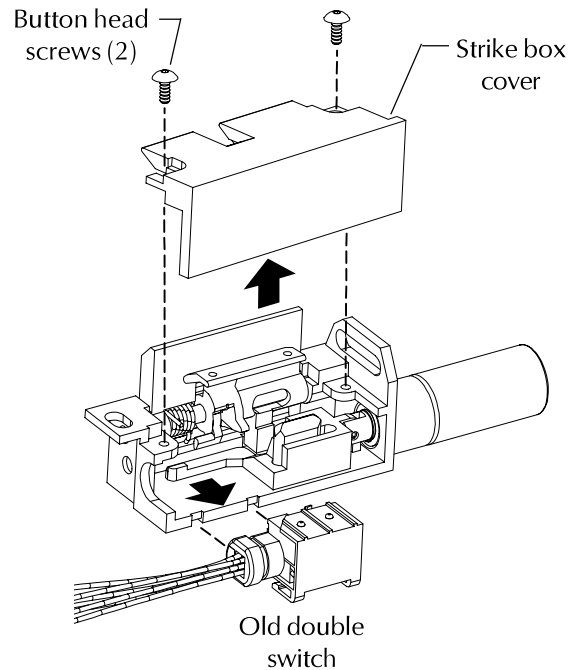


Figure 2

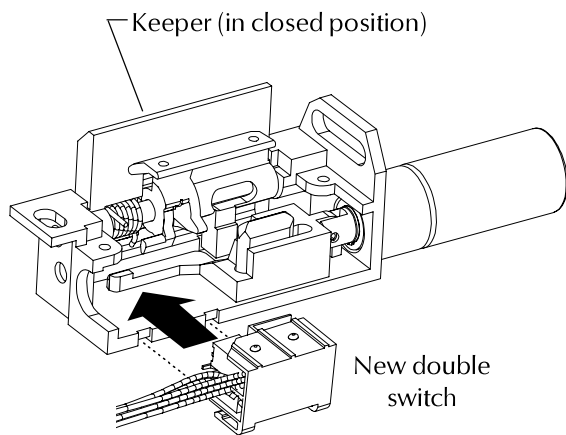


**Customer Service**  
1-877-671-7011    www.allegion.com/us

© Allegion 2014  
Printed in U.S.A.  
931229-00 Rev. 01/14-b

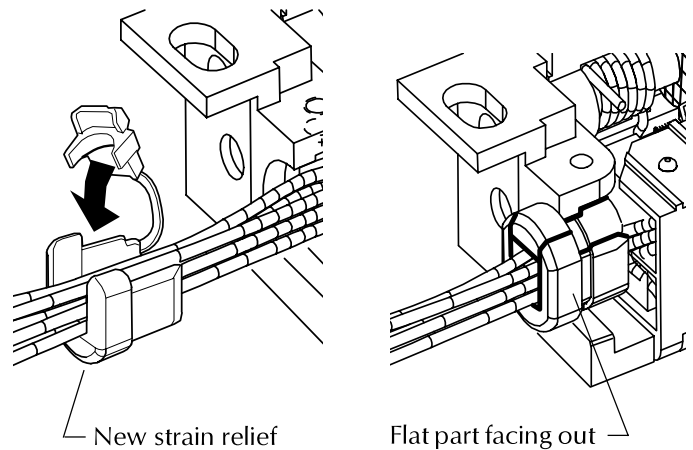
**3** With keeper in closed position, install new double switch (Figure 3).

Hold keeper in closed position while installing switch and after switch is installed or switch actuator can be damaged



**Figure 3**

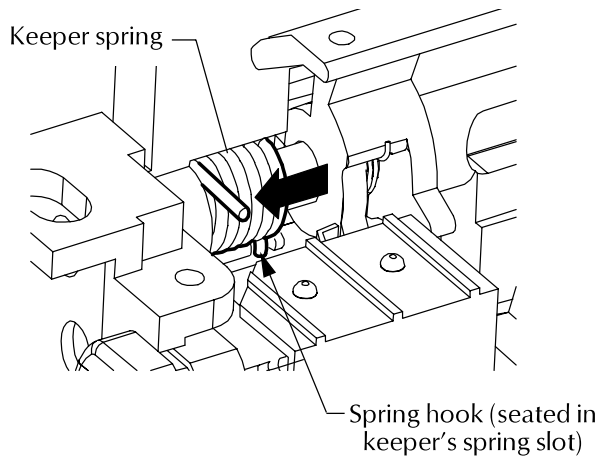
**4** Snap new strain relief around DS wires (Figure 4-1) and slide into box slot with flat part facing out as shown (Figure 4-2).



**Figure 4-1**

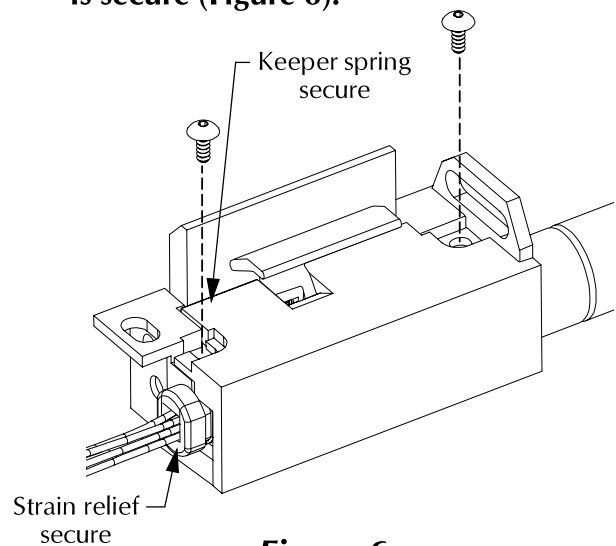
**Figure 4-2**

**5** Place keeper spring as far left as possible and verify that spring's hook is seated in keeper's spring slot (Figure 5).



**Figure 5**

**6** Secure box top on box and while ensuring that the keeper spring does not move out of position, and that the wire strain relief is secure (Figure 6).



**Figure 6**

**7** Reattach the box to the faceplate and reinstall strike. See Figure 1.

**NOTES:**

If the current being sent through the switch is less than 100mA a Gold contact switch (100mA) must be used.

If the current is greater than 100mA use the standard switch (standard switches are rated for a maximum of 2A).

Type B switches are required for 6211WF and 6212WF units.

A non DS unit can not be upgraded to a DS unit with this kit because the kit does not contain a tripper.