

Detex Corporation, 302 Detex Drive, New Braunfels, Texas 78130-3045
 (830)629-2900 / 1-800-729-3839 / Fax (830)620-6711
 E-MAIL: detex@detex.com INTERNET: www.detex.com

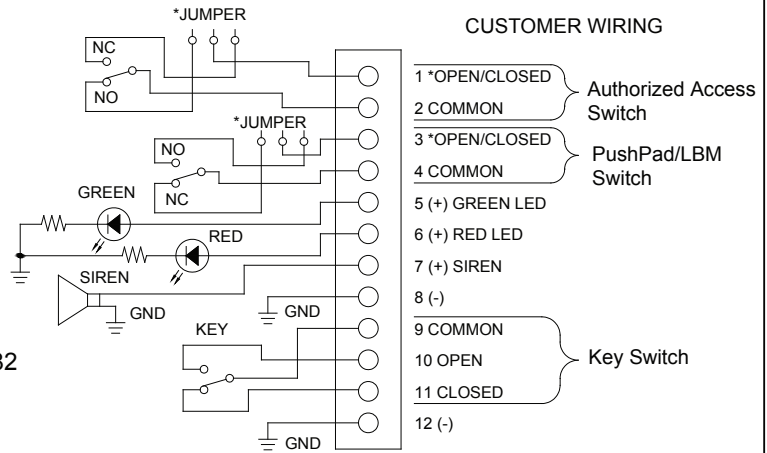
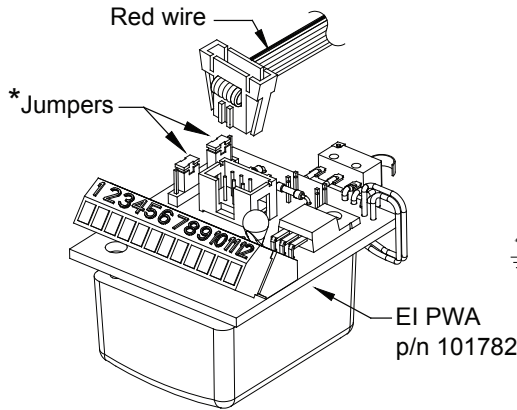
**INSTALLATION INSTRUCTIONS FOR
 ADVANTEX / VALUE SERIES RIM EI PRODUCT**

ADVANTEX[®] & VALUE SERIES[®]

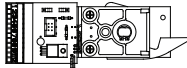
Rim EI - Electric Integration

Dwg #: 101379 Advantex (SS)
 104600 Advantex (AL)
 101800 Value Series

* To select Open or Closed switch orientation, move the appropriate jumper on the circuit board.



EI Fillerplate Subassembly p/n 101783-X



Call customer service for replacement part number

PRECAUTIONARY NOTE:

Be careful when installing filler plate assembly not to damage ribbon cable.

| Tools Required | |
|------------------------------|--|
| Jewelers (Small) Screwdriver | |
| | |

Theory of Operation:

- Door Closed - Deadlocking actuator activates PushPad/LBM (Latch Bolt Monitoring) Switch. Authorized Access Switch is not affected.
- Door Closed - Depressing PushPad changes the state of the PushPad/LBM Switch. Authorized Access Switch is not affected.
- Door Closed - Authorized (Auth) Access Switch is activated by operating outside trim. As the latchbolt begins to retract, the PushPad/LBM Switch is also activated.

| Terminal No. | Comments |
|--------------|---|
| 1, 2* | Authorized Access switch is activated by outside lever trim |
| 3, 4* | PushPad/LBM monitors the pushpad and the deadlocking actuator in the latchbolt. Activation of the pushpad will transfer switch contact. LBM (latch bolt monitor) in series with pushpad switch. |
| 5 | GREEN LED (+) 12 to 24 volts DC, 10ma max |
| 6 | RED LED (+) 12 to 24 volts DC, 10ma max |
| 7 | SIREN (+) 12 to 24 volts DC, 110ma max |
| 8 | GROUND (-) common to Green, Red, and siren |
| 9 | KEY SWITCH common 12 to 24 volts DC, 500ma |
| 10 | KEY SWITCH normally open contact |
| 11 | KEY SWITCH normally closed contact |
| 12 | GROUND (-) common to Green, Red, and siren |

Owner's Copy