

Detex Corporation, 302 Detex Drive, New Braunfels, Texas 78130-3045  
(830)629-2900 / 1-800-729-3839 / Fax (830)620-6711  
E-MAIL: detex@detex.com INTERNET: www.detex.com

## ELECTRICAL INSTRUCTIONS FOR ADVANTEX EA OR EX MODELS

# ADVANTEX®

Rim, SVR, CVR & Mortise

EA - Exit Alarm

EX - Request to exit

EXxW - Request to exit, weatherized

EXV - Request to exit, voltage

EXVxW - Request to exit, voltage, weatherized

Dwg #: 101379 RIM (SS)

104600 RIM (AL)

101559 SVR (SS)

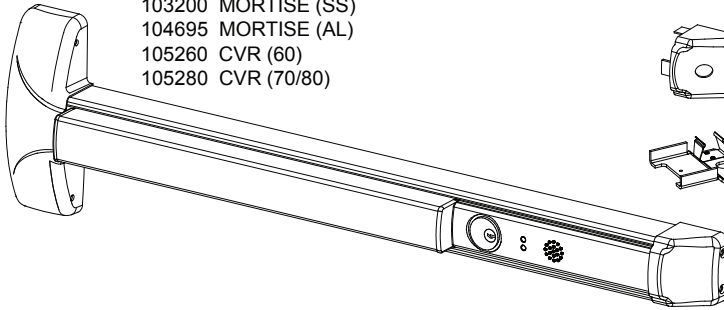
104690 SVR (AL)

103200 MORTISE (SS)

104695 MORTISE (AL)

105260 CVR (60)

105280 CVR (70/80)



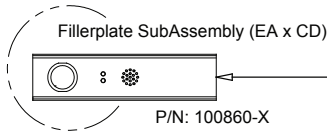
EC1 Endcap P/N: 101642-X



EC1 Endcap (for FCA) P/N: 102095-X



EC1 Endcap Bracket P/N: 100147 (shown)  
EC1 Endcap Bracket with 9V battery holder P/N: 101093



Fillerplate SubAssembly (EA x CD)

P/N: 100860-X



Hex Nut  
P/N: 100783



9V Battery  
P/N: PP-5567



EC2 Endcap (S.S.) P/N: 104304-X  
EC2 Endcap (AL) P/N: 104612-X



EC2 Endcap (AL) (for FCA) P/N: 104686-X  
EC2 Endcap (S.S.) (for FCA) P/N: 104317-X

Door Sign  
P/N: EA-561



(electrified versions only)



EC2 Endcap Bracket P/N: 104303  
EC2 Endcap Bracket with 9V battery holder P/N: 104636

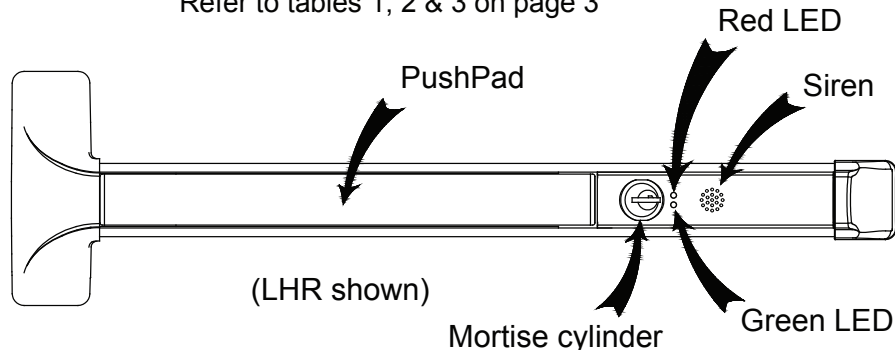
**\* Note: Parts listed above will vary according to product configuration. Mortise cylinder available as an option. Standard Yale type cam required. See Mortise cylinder installation page.**

Owner's Copy

# "EA" ALARM OPERATIONS

**Note: Unit is shipped with Disable Auto Rearm turned ON and Status Indicator turned OFF**

Refer to tables 1, 2 & 3 on page 3



**Figure 1.** Device features.

## **SPECIAL NOTES and DEFINITIONS**

1. When operating the ON/OFF switch, there is a slight delay.
2. The key is inserted and removed only in the horizontal position (home position).
3. Key function: counter clockwise (CCW) = Armed; clockwise (CW) = Disarmed
4. The power needs to be removed to register changes in the slide switches.
  - a. Status Indicator (This will affect battery life)
  - b. Disable Auto Rearm
  - c. Dis Lo Bat INDicator

## **UNIT ARMING TEST:**

1. Turn key counterclockwise (CCW) (key is removable after rotating back to horizontal position)
2. Red LED will flash twice, then green LED will illuminate for the 15 second delay time, then turn off.  
The siren will sound three short beeps indicating the unit is armed.
3. Depress Pushpad (Siren will sound and red LED will illuminate)
4. Turn key clockwise (CW). Turns alarm off.

## **LOW BATTERY ALERT:**

1. Siren will beep and red LED will blink at approximately 45 second intervals when battery is low

## **DOGGING FEATURE: (non-fire rated units only)**

1. Depress Pushpad
2. While holding Pushpad depressed, turn key clockwise (CW). Pushpad should remain depressed  
(Key is removable after rotating back to horizontal position)
3. Unit is now disarmed.

## **STATUS INDICATOR**

1. Slide the switch to ON and apply power.
2. If the unit is armed, the red LED will blink every 15 seconds.
3. If the unit is disarmed, the green LED will blink every 15 seconds.

## **Disable AUTO REARM (Off)**

1. When the unit is in full alarm and the bar is released, the alarm will shut off after 2 minutes.

## **Care and Maintenance:**

The Detex Advantex<sup>®</sup> devices are designed to provide many years of maintenance free service under normal usage. Periodically inspect and lubricate the unit to extend its life.

# "EA" SWITCH OPTIONS

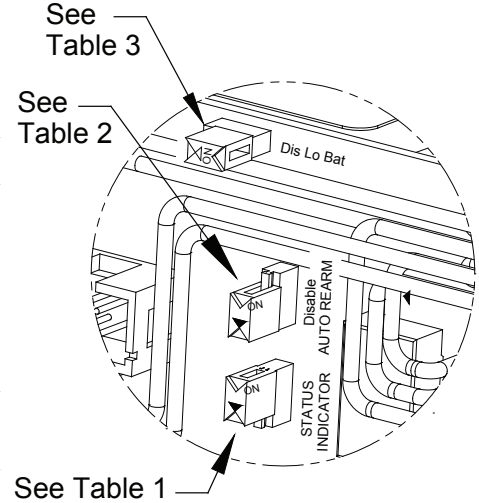
Switch selections must be made before applying power or installing battery (See Figure 1)

Table 1	
Status Indicator	Status Description
Off *	The Device gives no indication of armed or disarmed status.
On	The Device flashes red or green LED every 15 seconds. Red indicates armed status and green indicates disarmed.

Table 2	
Disable Auto rearm	Auto Rearming Feature Setting
On *	Alarm sounds until turned off with key. Extended bypass is enabled.
Off	Unit sounds alarm for 2 minutes after bar is released. Alarm will automatically rearm after 2 minutes.

Table 3	
Note: AC power must be applied for switch to operate	
Disable Low Battery	Status Description
Off *	The device flashes one red LED and one beep about every 45 seconds
On	The device gives no indication of battery being low.

**Figure 1.**  
Selector switches detail



\* Factory default settings:  
STATUS INDICATOR switch set to "OFF"  
Disable AUTO REARM switch set to "ON"  
Dis Lo Bat switch set to "OFF"

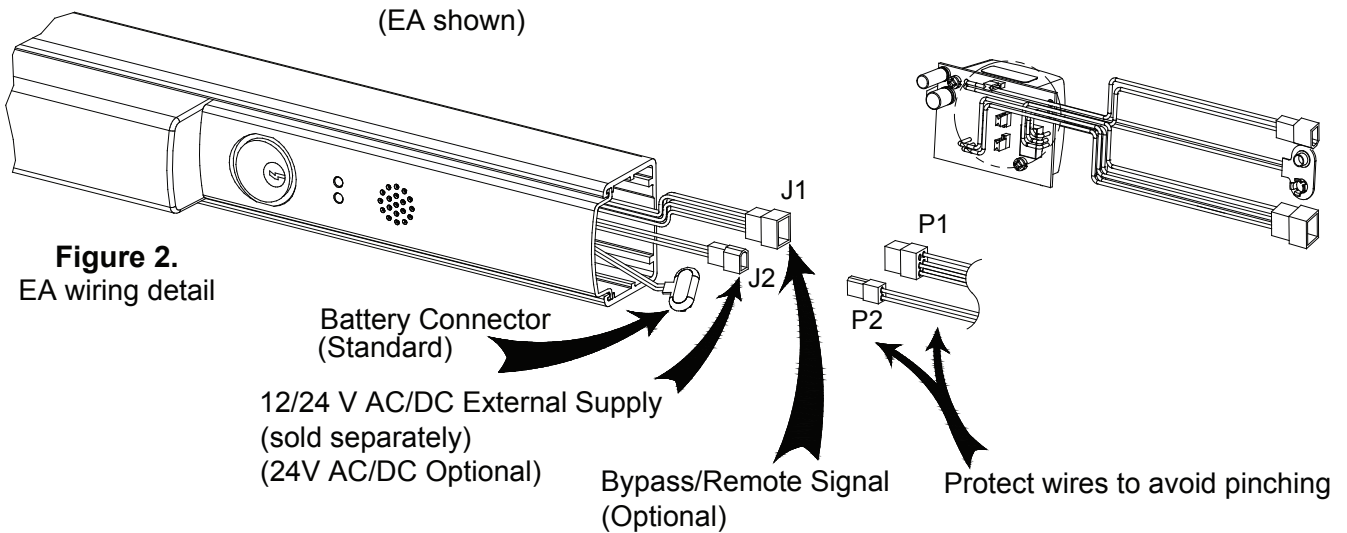
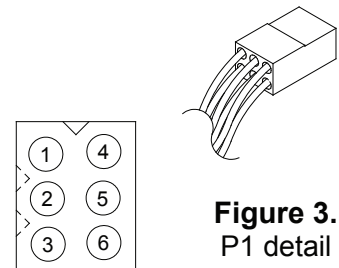
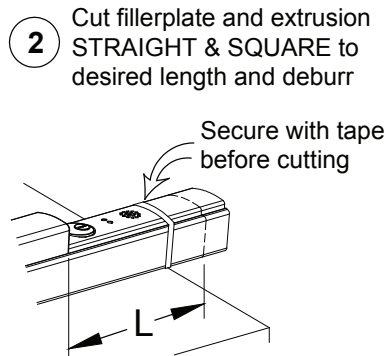
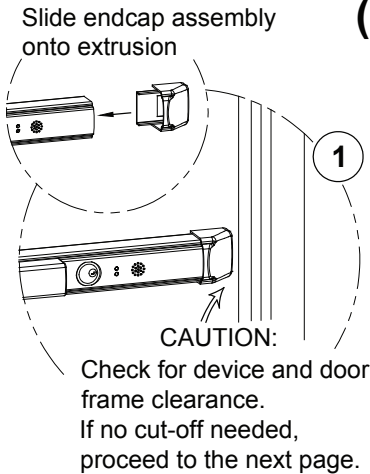


Table 4 (P1 wire usage)					
Remote Signal			Remote Bypass		
Pin 1	Brown	Common	Pin 4	Violet	N.O. contact
Pin 2	Yellow	Normally Open	Pin 5	Violet	N.O. contact
Pin 3	Green	Normally Closed	Pin 6	---	---
Contacts rated at 1.0A @ 30VDC or 0.5A @ 125VAC					



**Figure 3.**  
P1 detail

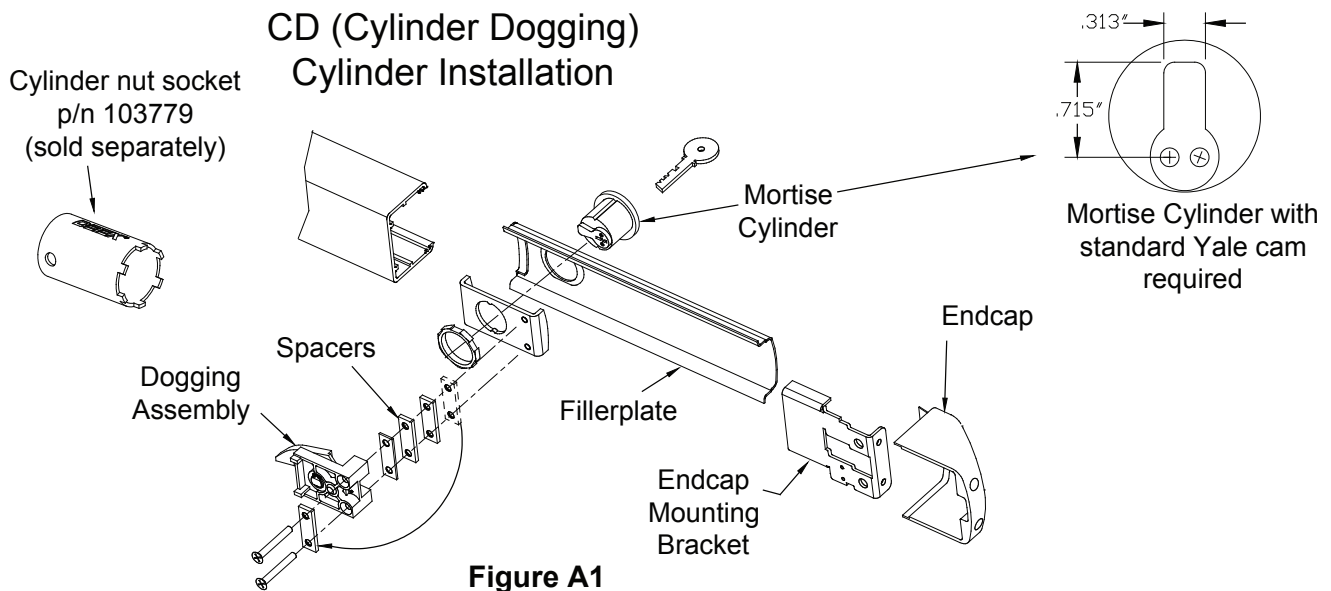
# CHECKING FOR DEVICE CLEARANCE (Cut-Off procedure if required)



Minimum Fillerplate Length	
Type	Length (L)
LX x LD	2-1/2"
LX x (HD/CD)	3"
EA	7-1/2"

For aluminum Advantex finish cutdown applications: After cutting, the baseplate extrusion can be reversed to place the cut end inside the head cover. To do so, loosen the setscrew inside the aluminum baseplate extrusion and slide extrusion out, reverse, & slide back in. Tighten setscrew.

## MORTISE CYLINDER INSTALLATION



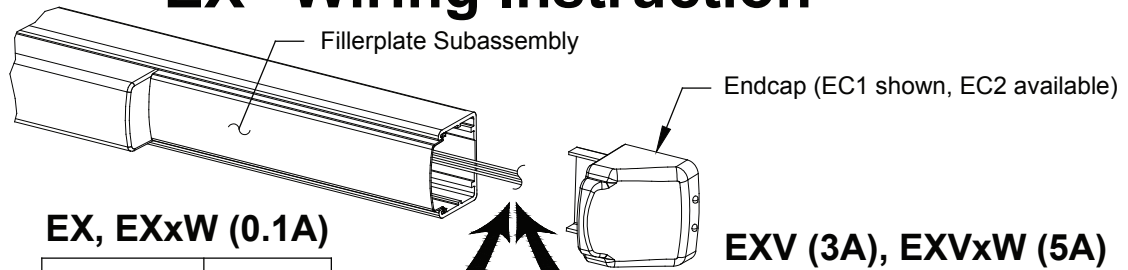
### Follow steps "a" through "g" for EA installations

- Remove endcap and endcap mounting bracket.
- Remove fillerplate.
- Remove and discard shipping insert and nut. Loosen (2) screws from dogging assembly.
- Install mortise cylinder (sold separately) with large hex nut provided.
- Trial fit dogging assembly. If cylinder is too short, remove spacers as necessary and reattach them under the (2) screw heads (See Figure A1). Fasten the (2) screws to the rest of the assembly.

**NOTE: The key should easily turn in both directions.**

- Rotate key counterclockwise
- Assembly complete. Continue with Panic Hardware instruction.

# "EX" Wiring Instruction



## EX, EXxW (0.1A)

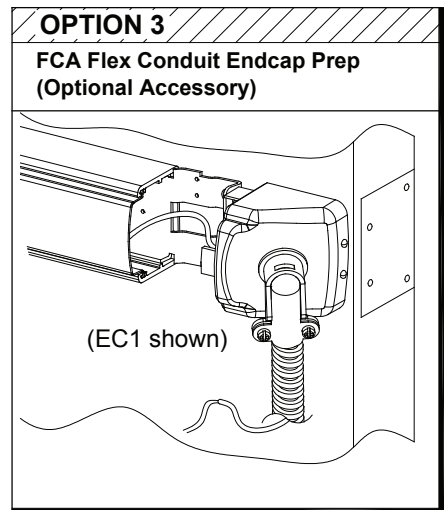
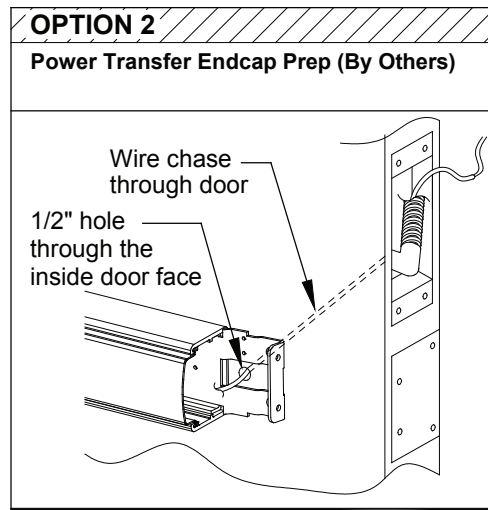
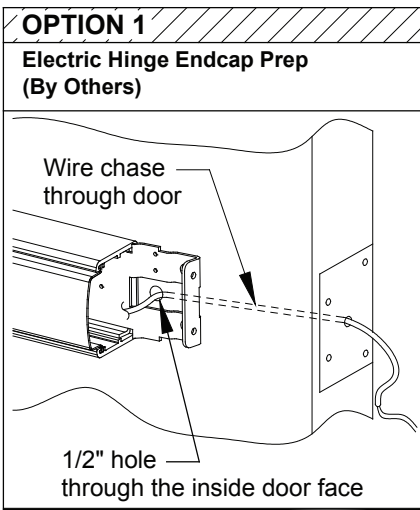
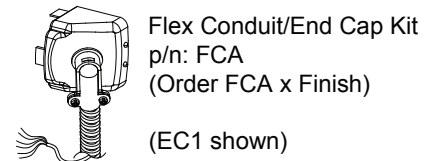
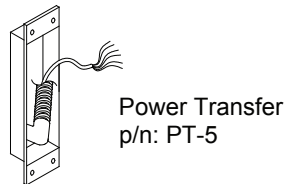
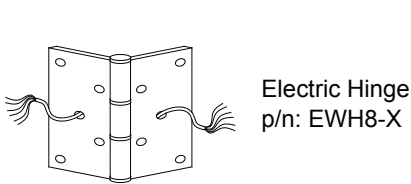
Wire Color	Connection
Brown/White	Common
Gray/White	Closed
Yellow/White	Open

## EXV (3A), EXVxW (5A)

Wire Color	Connection
Brown/Black	Common
Gray/Black	Closed
Yellow/Black	Open

## POWER TRANSFER OPTIONS

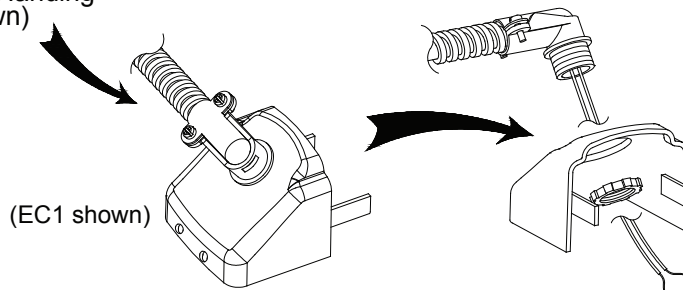
Note: For high traffic areas an electric through-wire hinge or power transfer is recommended.



## FLEX CONDUIT INSTALLATION

(See Appendix A for catalog number)

Adjust for Handing  
(LHR shown)



## Advantex EA Troubleshooting Tips for Default Setting

Problem	Probable Cause	Action
When unit is armed, red LED flashes twice, green LED is on for 15 seconds, but the unit does not give three beeps after the green LED goes off.	The actuator is sticking to the micro switch.	Call Detex. 1-800-729-3839
No LED activity when key is turned ccw to armed position.	Dead or weak battery.	Install new battery, LED's should flash and the siren beep once.
	Battery not secured to connector correctly.	Secure battery correctly.
	Battery connector or wires damaged.	Call Detex. 1-800-729-3839
	No AC power.	Verify power from transformer and check for correct voltage at connector P2.
AC powered unit gives a low battery indication.	Battery not installed. OR Low battery	Install battery. If battery is not desired, disconnect power and slide the 'Dis Lo Bat IND' switch to 'ON' position.
LED's do not flash to indicate armed or disarmed status.	Status indicator switch in off position.	Remove power from unit. Slide 'Status indicator' switch to 'ON' position. Reinstall power.

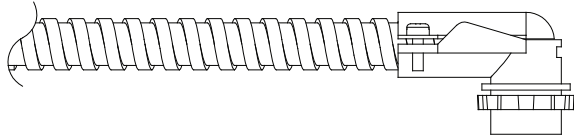
Technical Support 1-800-729-3839

# Appendix A

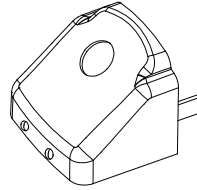
## Optional Accessories

### Advantex Flex Conduit Kit

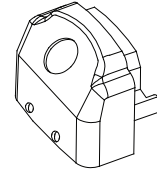
Catalog No: FCA-[Specify Finish]  
Electrical Wires Not Supplied



(EC1 endcap)



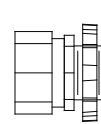
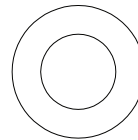
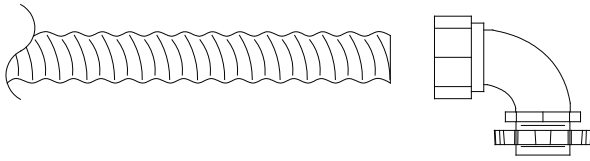
(EC2 endcap)



Note: For high traffic areas an electric through-wire hinge or power transfer is recommended.

### Flex Conduit Kit

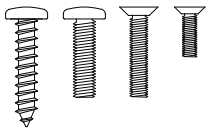
Catalog No: FCV-W-3  
or FCV-W-10



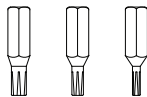
Waterproof  
Connectors  
Provided

### Tamper Kit

Security Kit - Rim, Catalog No: SSK1  
SVR, Catalog No: SSK2  
Mortise, Catalog No: SSK3



Security Screws



Security Pin TORX® Bits provided

### Key Stop Kit

(Momentary Shunt)  
Catalog No: KS

Key Stop Screw

