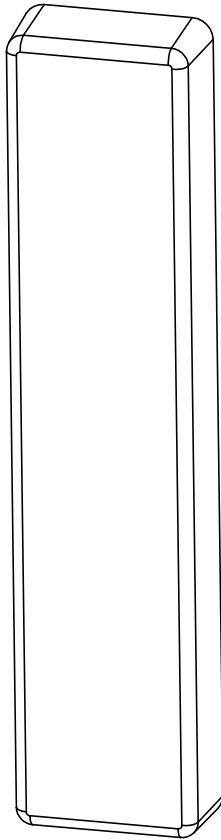
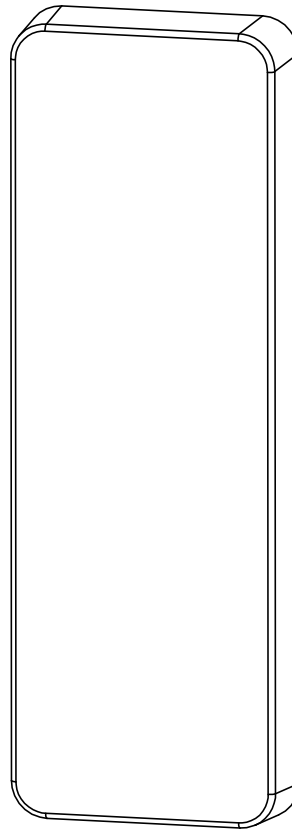


Detex Corporation, 302 Detex Drive, New Braunfels, Texas 78130-3045
(830)629-2900 / 1-800-729-3839 / Fax (830)620-6711
E-MAIL: detex@detex.com INTERNET: www.detex.com

INSTALLATION INSTRUCTIONS FOR ADVANTEX NARROW (01DN) TRIM OR WIDE (01D) TRIM



NARROW (01DN)TRIM
p/n 105151



WIDE (01D)TRIM
p/n 105150

TOOLS AND SUPPLIES

(Always put on safety glasses prior to beginning installation of unit)

- Pencil
- Center punch
- Hammer
- Drill motor
- Drill bits
- Phillips head screwdriver
- Tape measure

OWNER'S COPY

PREPARING THE DOOR

1. Center punch holes "a" marked earlier.
2. Drill two (2) pilot holes "a" for 01DN trim or four (4) for 01D trim.
CAUTION: Be sure to drill STRAIGHT through the door.
3. Drill holes "a" according to the chart (Fig 1).

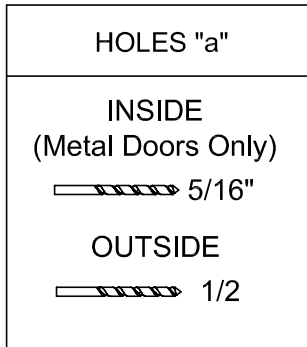


Fig. 1

ASSEMBLING THE OUTSIDE TRIM AND BACKPLATE:

1. Align the hex stand-offs and trim assembly through the drilled holes (Fig 2).
2. Fasten the backplate to the inside face of the door with lockwashers and 1/4-20 machine screws.
3. Resume the panic hardware instruction.

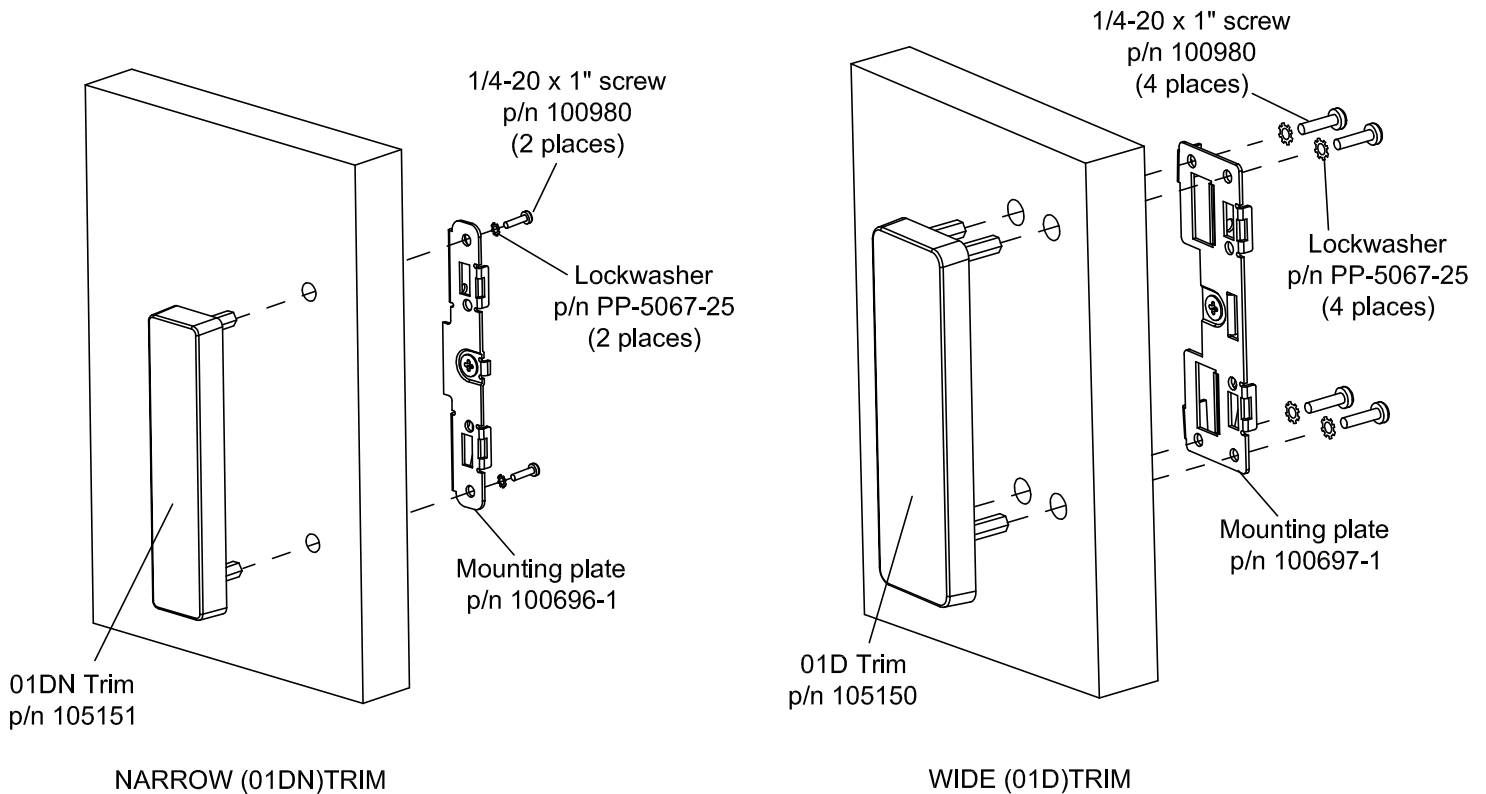


Fig. 2