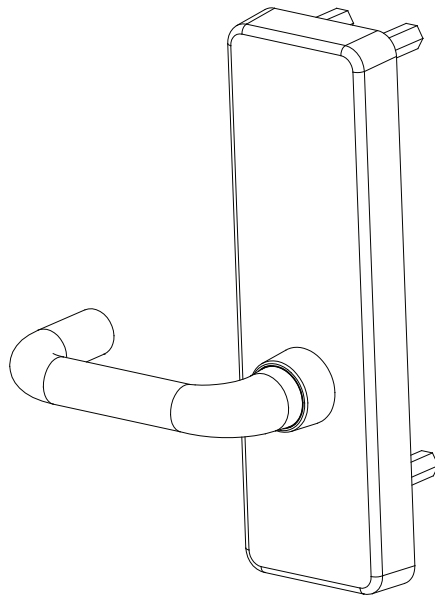




103128 May 31, 2007

Detex Corporation, 302 Detex Drive, New Braunfels, Texas 78130
(830)629-2900 /1-800-729-3839 /FAX(830)620-6711
E-MAIL: detex@detex.com INTERNET: www.detex.com

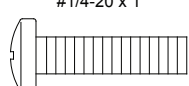

**INSTALLATION INSTRUCTIONS FOR MORTISE 02DM, 02DMT, 02DMU
OUTSIDE LEVER PULL TRIM**



02 LEVER TRIM INSTALLATION INSTRUCTIONS

NOTES:

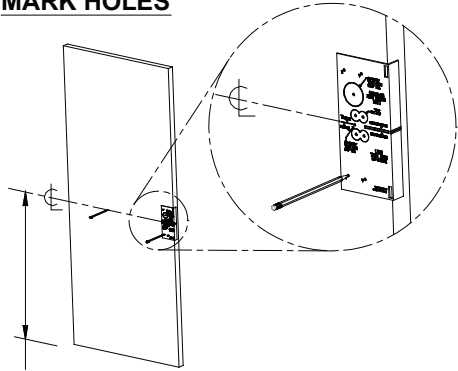
1. Mortise lock NOT supplied with TRIM device.
2. For a retrofit application, remove lock and device before installing new trim.
3. LHR installation shown (Reverse all steps for RHR).

Machine Screw	Lock washer
A	#1/4 lock washer
#1/4-20 x 1" 	

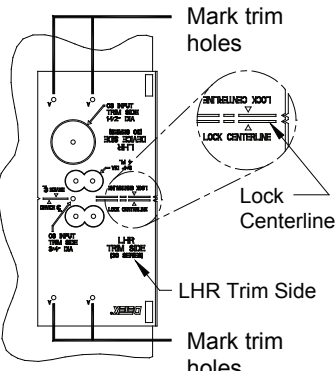
STEP 1: PREP DOOR

1 TRIM side: Use plastic template to mark and drill TRIM holes

MARK HOLES



Mark centerline for trim 40" above finished floor



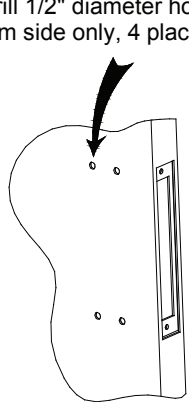
Mark trim holes

Lock Centerline

LHR Trim Side

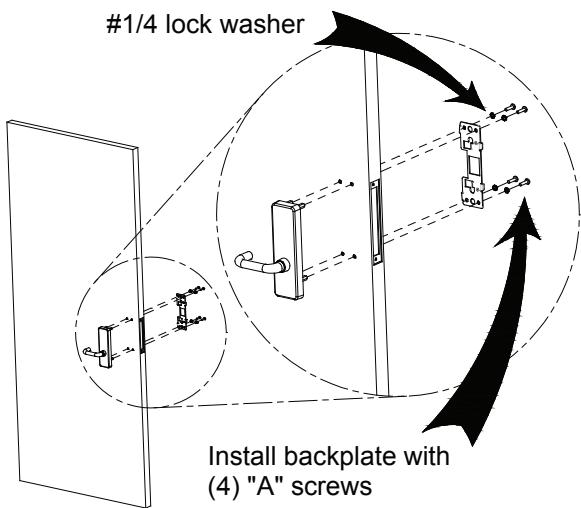
Mark trim holes

Drill 1/2" diameter holes thru trim side only, 4 places



STEP 2: INSTALL TRIM DEVICE

2 Install TRIM device



#1/4 lock washer

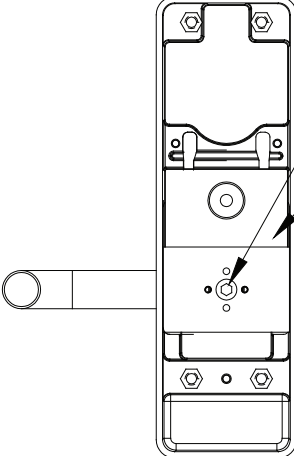
Install backplate with (4) "A" screws

TRIM INSTALLATION COMPLETE

1. Continue installation using device instructions (p/n:101349).
2. For modular cable devices, see electrical instructions for cable routing.

Switching Handing from RHR to LHR

(Place trim on a clean surface with this view facing up)



Use 1/8" Allen Wrench to remove screw

Pull back blocking plate

Caution: Do not lose the brass shear pin located inside assembly.

Turn handle and plate 180°. Replace plate and tighten Allen screw