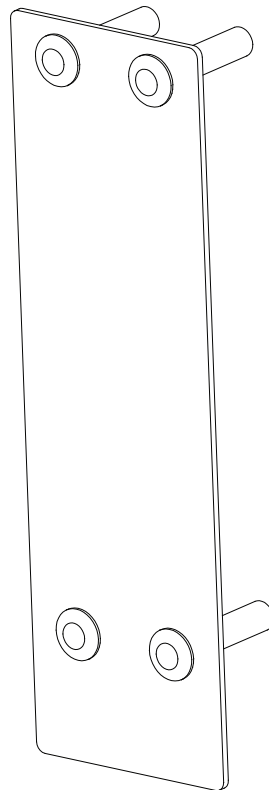




103127 May 31, 2007

Detex Corporation, 302 Detex Drive, New Braunfels, Texas 78130
(830)629-2900 /1-800-729-3839 /FAX(830)620-6711
E-MAIL: detex@detex.com INTERNET: www.detex.com

INSTALLATION INSTRUCTIONS FOR MORTISE 01WM OUTSIDE TRIM



01WM TRIM INSTALLATION INSTRUCTIONS

NOTES:

- 1) Mortise lock NOT supplied with TRIM device.
- 2) For a retrofit application, remove lock and device before installing new trim.
- 3) LHR installation shown (Reverse all steps for RHR).

STEPS 1: PREP DOOR

1 TRIM side: Use plastic template to mark and drill TRIM holes

MARK HOLES

Mark centerline for trim 40" above finished floor

Mark trim holes

Lock Centerline

LHR Trim Side

Mark trim holes

Drill 3/8" diameter holes thru trim side only, 4 places

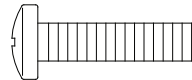
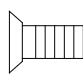
STEP 2: INSTALL TRIM DEVICE

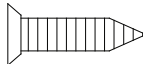
2 Install TRIM device


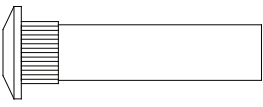
#1/4 Lockwasher

#1/4-20 Sex nuts

Install backplate with (4) "A" screws

Machine Screws	
A	I
#1/4-20 x 1"	#12-24 x 1/2"
	

Sheet Metal / Wood Screw
J
#12 x 1"


Lock washer	Sex Nut
#1/4 Lock washer	#1/4-20 Sex Nut
	

TRIM INSTALLATION COMPLETE

1. Continue installation using device instructions (p/n:101349).
2. For modular cable devices, see electrical instructions for cable routing.