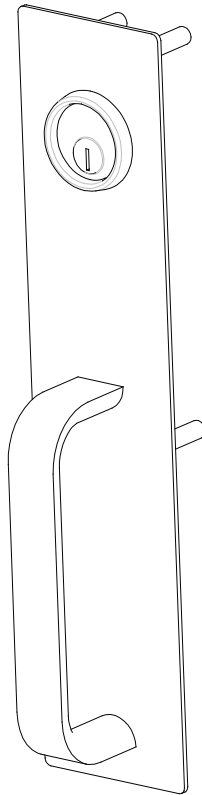


Detex Corporation, 302 Detex Drive, New Braunfels, Texas 78130  
(830)629-2900 /1-800-729-3839 /FAX(830)620-6711  
E-MAIL: detex@detex.com INTERNET: www.detex.com

## INSTALLATION INSTRUCTIONS FOR MORTISE 03CM TRIM

# MORTISE



# CM TRIM INSTRUCTIONS

NOTE: 1) Mortise lock NOT supplied with TRIM device.

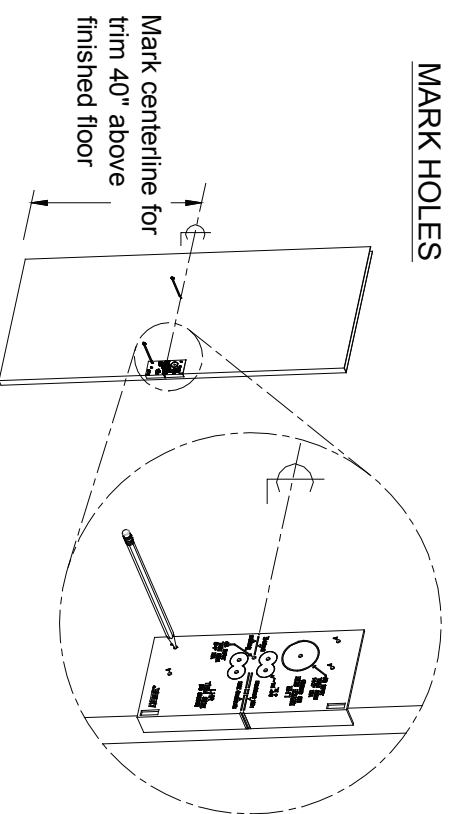
2) For a retrofit application, remove existing lock and device before installing new trim.

3) LHR installation shown (Reverse all steps for RHR).

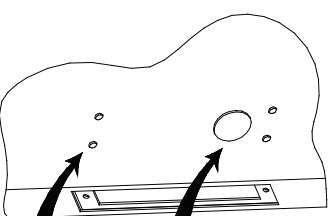
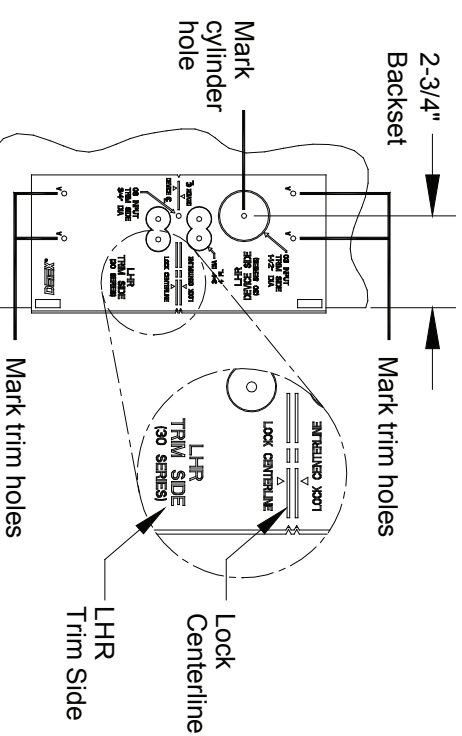
## STEPS 1: PREP DOOR

### 1 TRIM side: Use plastic template to mark and drill TRIM holes

MARK HOLES



### DRILL HOLES



Machine Screws

**A**

#1/4-20 x 1"

**I**

#12-24 x 1/2"

**L**

#1/4-20 x 1/2"

**M**

#1/4-20 x 2-3/4"

**N**

#1/4-20 x 2-1/4"

**J**

#12 x 1"

Sheet Metal / Wood Screw

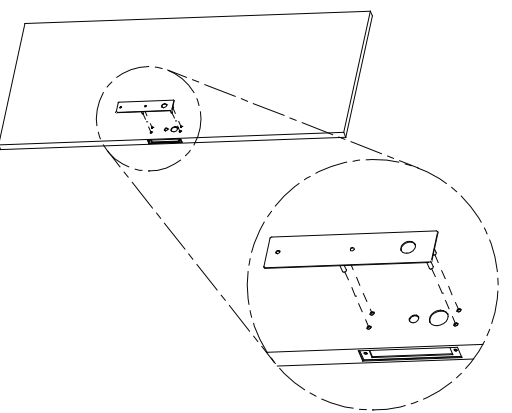
Lock washer

#1/4 Lock Washer

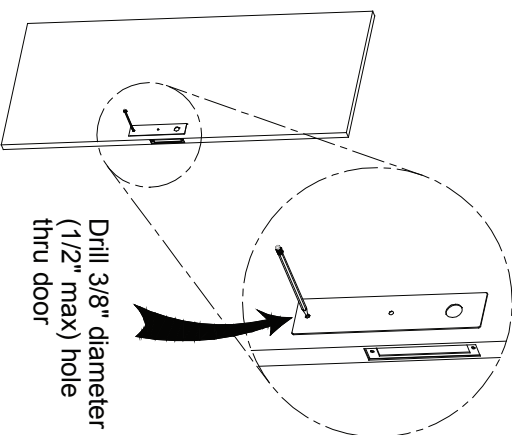


## STEPS 2-5: INSTALL TRIM DEVICE AND MORTISE LOCK

### 2 Mark and drill bottom hole for thru bolt

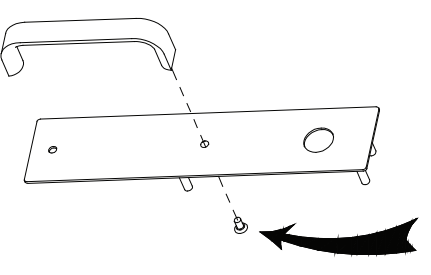


Drill 3/8" diameter (1/2" max) hole thru door



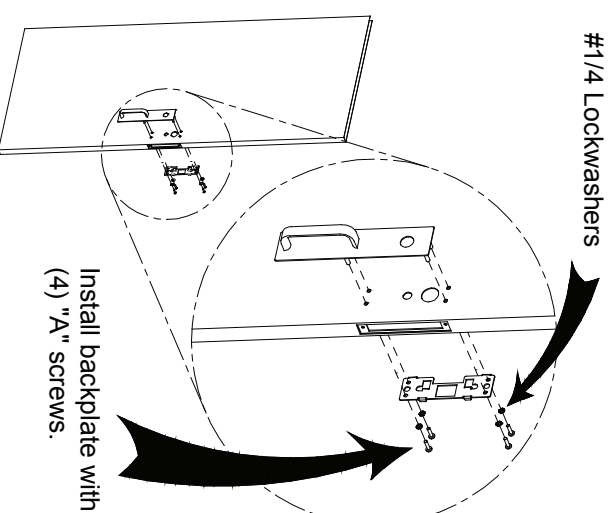
### 3 Install TRIM device

Assemble pull to trim plate with "L" screw provided

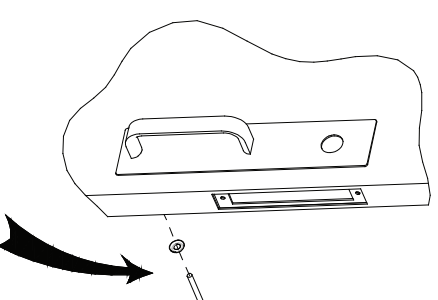


#1/4 Lockwashers

Install backplate with (4) "A" screws.

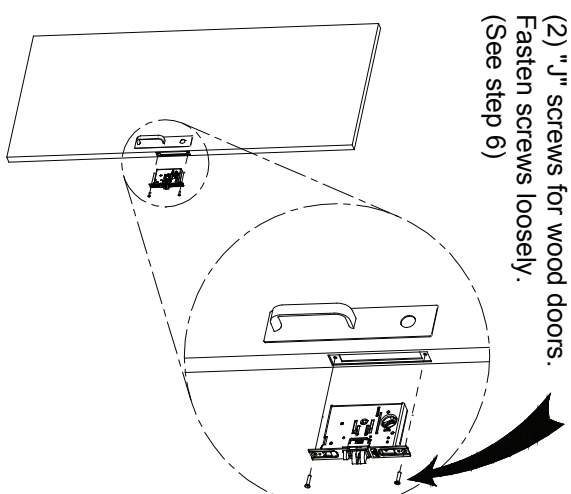


Fasten bottom of pull with "M" or "N" screw and washer provided



### 4 Install MORTISE lock

Install lock with (2) "I" screws or (2) "J" screws for wood doors. Fasten screws loosely. (See step 6)

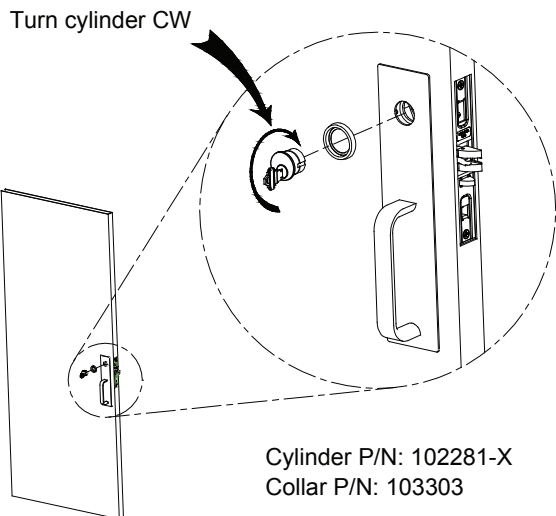


### IMPORTANT!

For modular cable devices, see electrical instructions for cable routing.

# STEPS 2-5: (CONTINUATION)

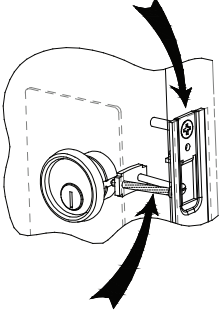
## 5 Install mortise cylinder



Note:  
Mortise cylinder and collar NOT supplied with trim, but  
can be ordered separately.

### SECURE CYLINDER

Tighten screws  
(Reference Step 4)



Tighten screw nearest  
trim side of door only

**TRIM INSTALLATION COMPLETE**  
Continue installation using device  
instructions (p/n: 101349)