

# READ THIS FIRST

## SUPPLEMENT TO INSTALLATION INSTRUCTIONS FOR 19 SERIES PANIC & FIRE EXIT HARDWARE

**FALCON**<sup>®</sup>

F-19 SERIES

19 SERIES

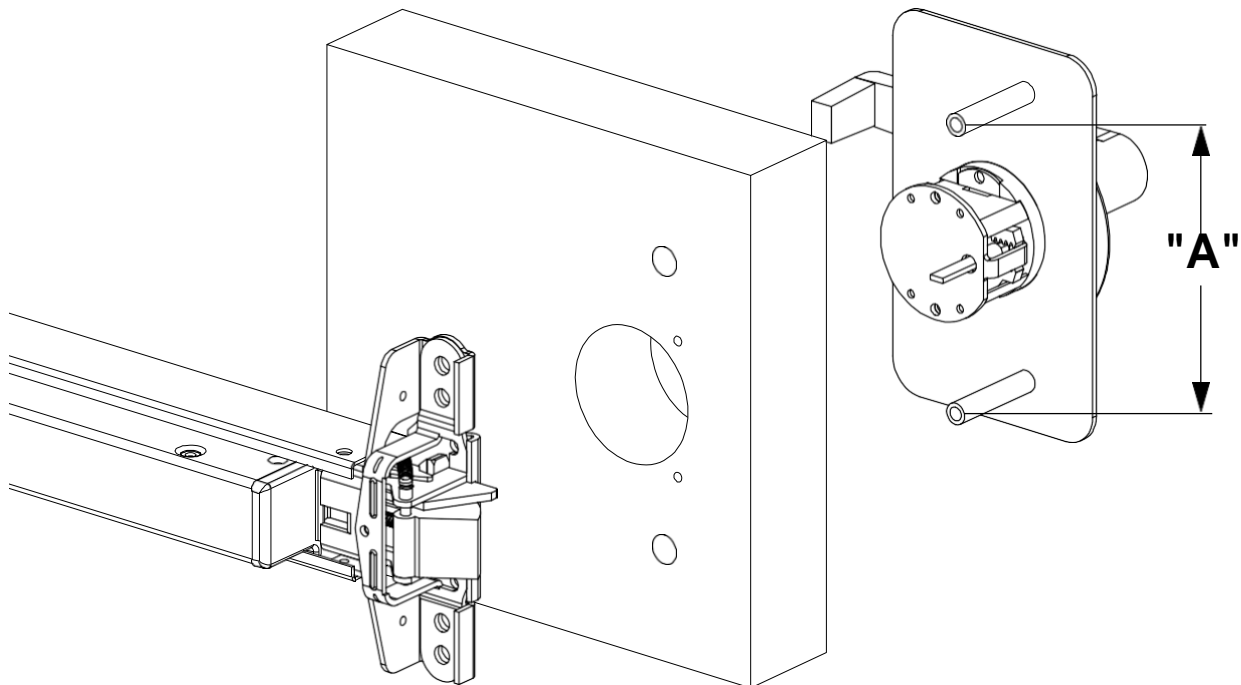
D-1101-B

Date:

05-29-2015

# 1 TRIM REVIEW

- 1) IF DEVICE IS NOT BEING INSTALLED WITH KIK, KIL OR CENTRON TRIM, DISREGARD THIS NOTICE AND PROCEED WITH DEVICE INSTALLATION.
- 2) IF DEVICE IS BEING INSTALLED WITH KIK, KIL OR CENTRON TRIM, MEASURE THE DISTANCE BETWEEN THE TRIM MOUNTING THRU-BOLTS.



- 3) IF "A" ABOVE IS 3-1/2", PREPARE THE HOLES MARKED "B" (**INSTEAD OF "A"**) IN THE INSTALLATION INSTRUCTIONS. IF "A" ABOVE IS 4-1/2", PREPARE THE HOLES PER THE INSTALLATION INSTRUCTIONS.
- 4) PROCEED WITH DEVICE & TRIM INSTALLATION.



Customer Service

1-877-671-7011

[www.allegion.com/us](http://www.allegion.com/us)

© Allegion 2015  
Printed in U.S.A.  
D-1101 Rev. 05/15-b