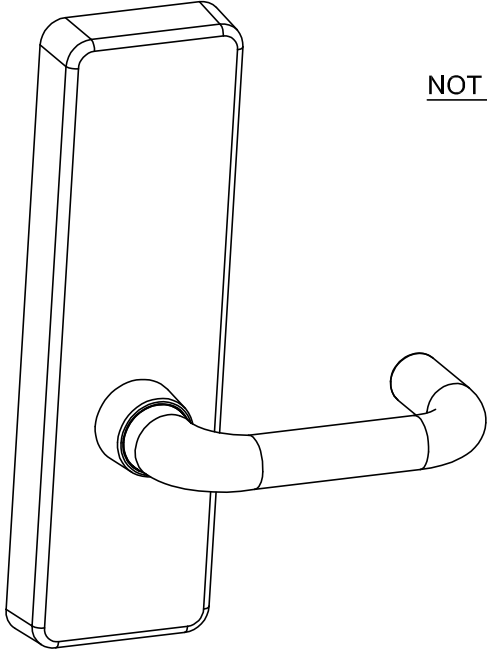


Detex Corporation, 302 Detex Drive, New Braunfels, Texas 78130-3045  
 (830)629-2900 / 1-800-729-3839 / Fax (830)620-6711  
 E-MAIL: detex@detex.com INTERNET: www.detex.com

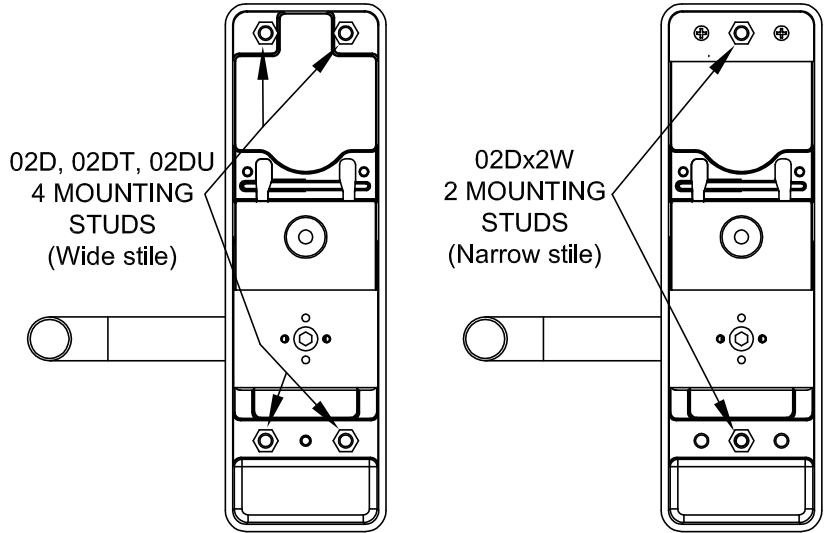
**INSTALLATION INSTRUCTIONS FOR 02D, 02DT, 02DU, 02Dx2W OUTSIDE LEVER TRIM**

Drawing & p/n:  
 101998  
 105662

NOT DESIGNED FOR 2" STILE DOOR

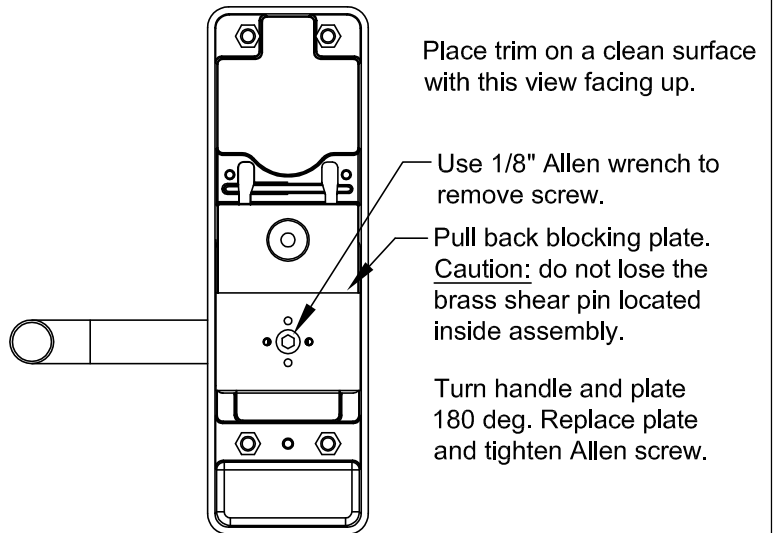


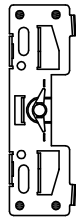
Right Hand Reverse  
 (RHR) shown



**Switching Handing from RHR to LHR  
 (if required)**

Tools Required	
 Power Drill	 Pencil
 Safety Glasses	 Hammer
 Screw Driver	 Tape Measure
	 Center Punch



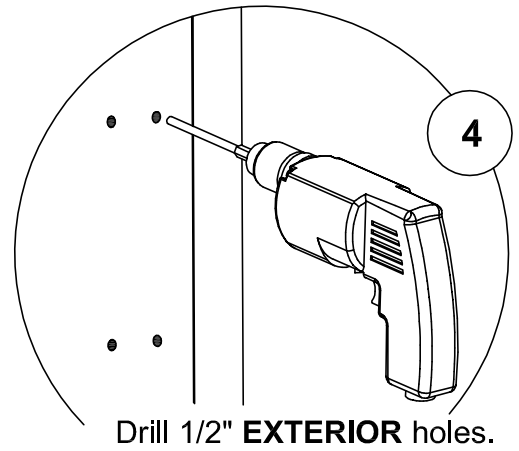
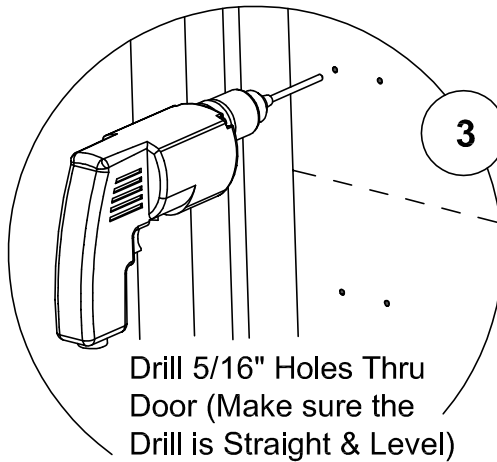
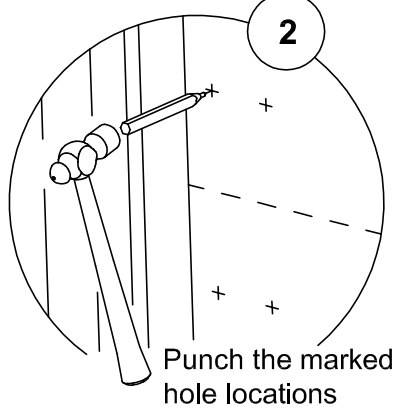
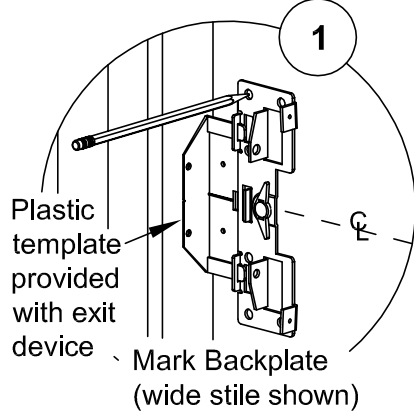
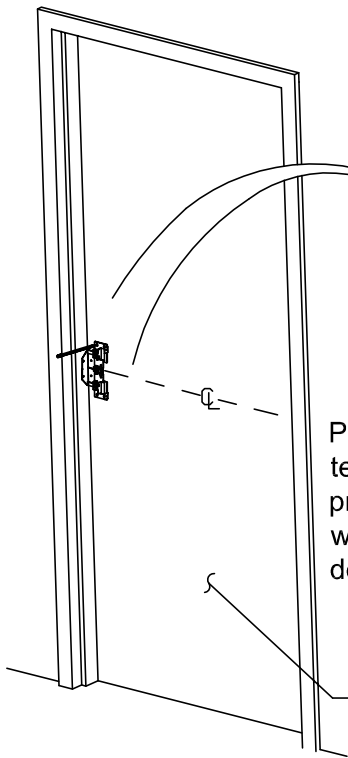


Wide Stile  
mounting plate  
subassembly  
(4 mounting holes)

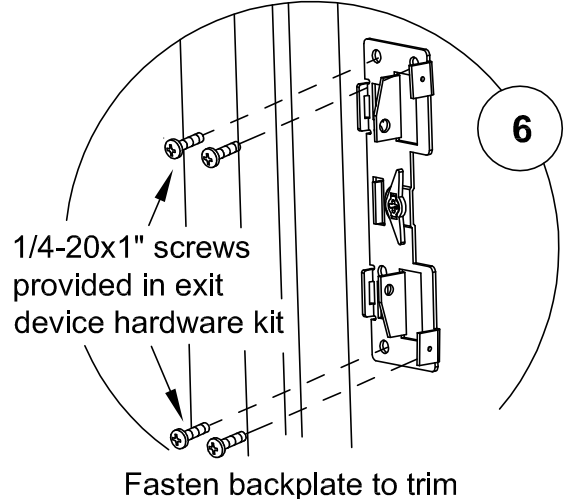
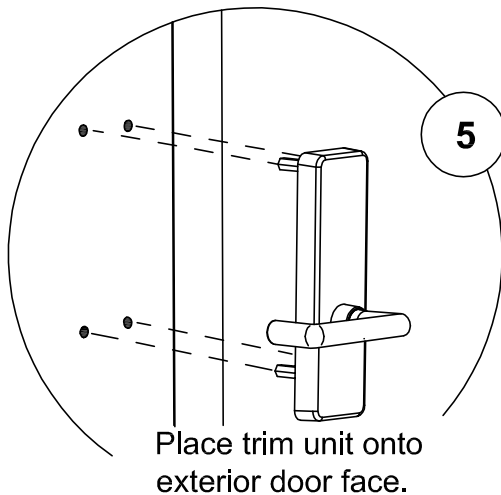


Narrow Stile  
mounting plate  
subassembly  
(2 mounting holes)

NOTE: Wide stile mounting shown, Narrow stile similar



Note: All Holes Must Be Drilled Straight and Level



CONTINUE WITH EXIT HARDWARE INSTRUCTIONS