

Detex Corporation, 302 Detex Drive, New Braunfels, Texas 78130-3045 (830)629-2900 /1-800-729-3839 /FAX(830)620-6711

INSTALLATION INSTRUCTIONS FOR 01W ADVANTEX TRIM



TOOLS AND SUPPLIES

Safety Glasses

(Always put on safety glasses prior to beginning installation of unit)

Pencil

Center Punch

Hammer

Drill Motor

Drill Bits & Taps

Screw Driver (Phillips Drive)

Tape Measure

PREPARING THE DOOR:

1. Center punch hole "a" marked earlier.
2. Drill four (4) pilot holes "a". **Caution: Be sure to drill STRAIGHT through the door.**
3. Drill four (4) 3/8" holes partway through the door. Complete these holes by drilling from the opposite door face.

ASSEMBLING THE OUTSIDE TRIM AND BACKPLATE:

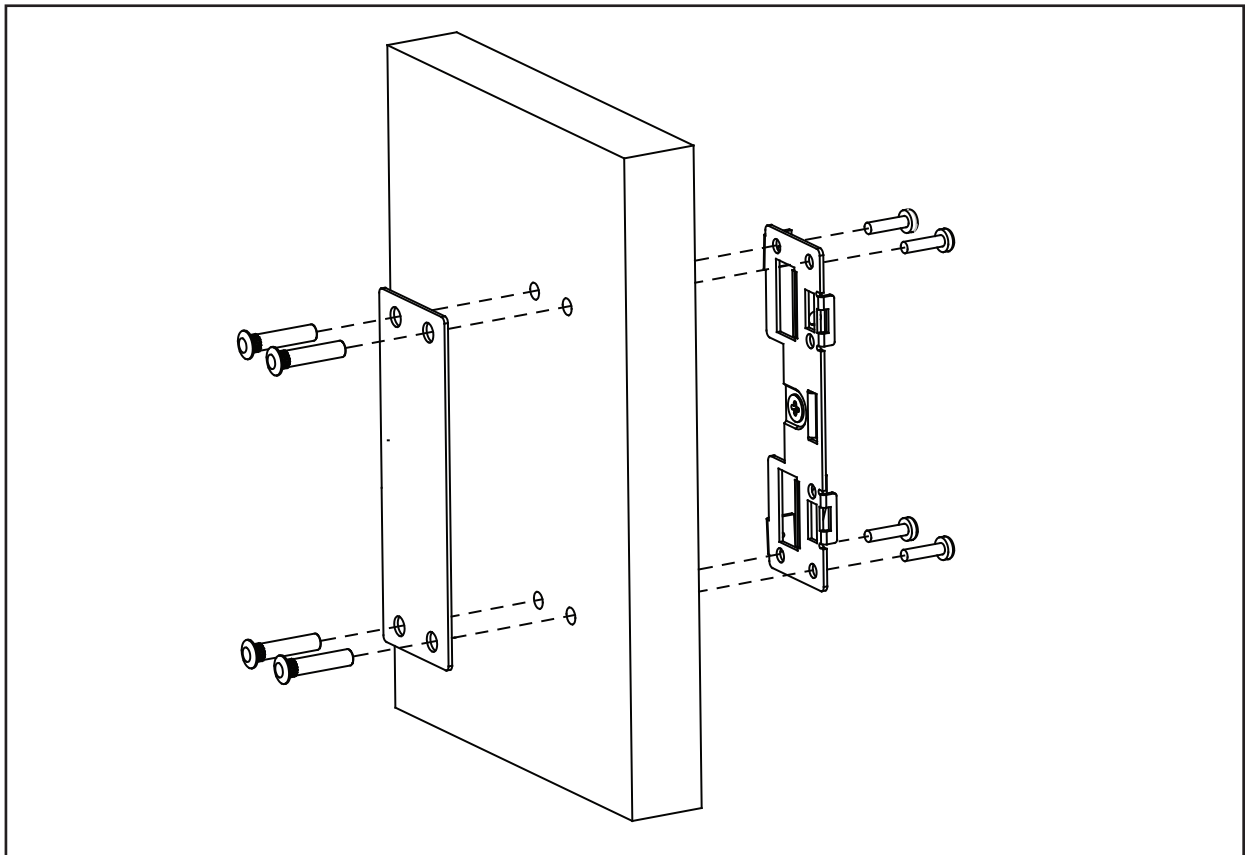


Fig. T1

1. Align the four sex nuts and trim assembly through the drilled holes (Fig. T1).
2. It may be necessary to hammer the sex nuts into the door face.
3. Fasten the backplate to the inside door face with 1/4-20 machine screws provided. **Caution: Do not overtighten.**
4. Resume with panic hardware instruction #15.