



- Mechanical Pushbutton Lock
- Single Access Code
- Cylindrical
- Knob

Features

Access Control:	Mechanical pushbutton lock eliminates problems and costs associated with issuing, controlling, and collecting keys and cards. Provides exterior access by combination, while allowing free egress.
No Battery:	Fully mechanical lock eliminates the material and labor expense of battery replacements
Locking Device Options:	Cylindrical latch with 3-hour UL/ULC fire rating on "A" labeled doors
Number of Codes:	Single access code—one easy-to-manage code for all users
Programming:	Lock is easily programmed via keypad without removing lock from the door
Handing:	Factory-handed for left hand doors; easily field reversible
Key Override (Optional):	Small format interchangeable cores, large format removable cores
Operation Modes:	Single credential access <u>Passage</u> (select models)—allows access without using the lock entry code. Feature activated from the inside with a thumbturn or key (included with all passage feature models). <u>Lockout</u> (select models)—disables the lock from the inside so that the entry code cannot be used to gain access. Access is permitted using the key override only.
Economical:	A cost effective access control solution

Mechanical Features

Construction:	Heavy-duty cylindrical lock housing with cast front housing; unified trim plate; cast knobs
Numeric Keypad:	Vandal resistant, solid metal pushbuttons
Handing:	Factory-handed for left hand doors; easily field reversible
Standard Finishes:	Satin Chrome 26D (626), Antique Brass 05 (609)
Optional Finishes:	Bright Brass 03 (605), Bright Chrome 026 (625)
Backset:	2¾" (70 mm), 2¾" (60 mm)
Latch:	½" (13 mm) throw latch; ¾" (19 mm) throw latch (optional)
Minimum Stile Recommended:	5" (127 mm)
Weight:	7.25 lbs. (3.3 kg)
Strike:	Standard strike plate; ASA strike plate

Key Override

Interchangeable Cores:	Small format—Best and equivalents (6 or 7-pin length)
Removable Cores:	Large format—Medeco/ASSA/Yale/Abloy (5 or 6-pin length), Corbin Russwin, Schlage, and Sargent

Installation

Door Preparation:	Easily installs on wood or metal doors. ASA 161 door preparation with additional through bore holes required.
Door Thickness:	1 1/8" (35 mm) to 2 1/4" (57 mm)—Pre-assembled to accommodate 1 5/8" (41 mm) to 2" (51 mm)
Items Supplied Include:	Lock assembly, installation manual, full-scale template, combination change plug and access key, and required installation hardware

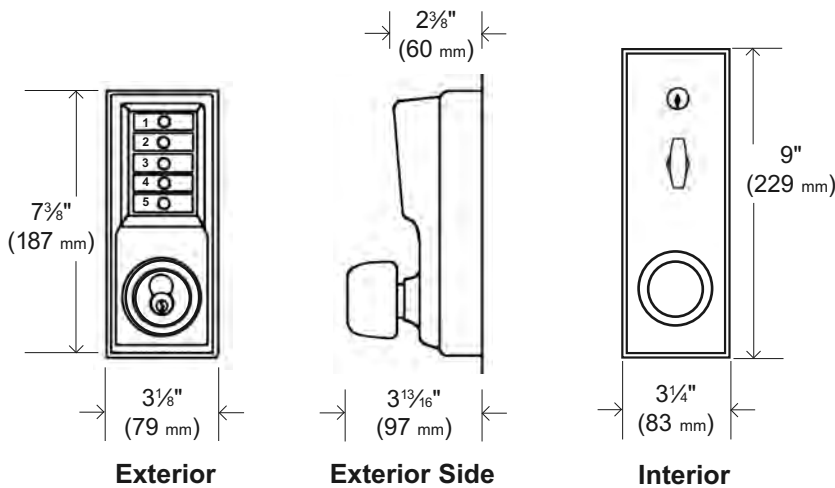
Certification and Testing

Durability:	Weather resistant
Fire Rating:	3-hour UL/ULC fire rating for "A" labeled doors

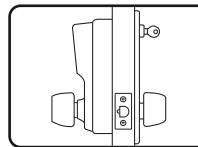
Warranty

Warranty:	3-year warranty
------------------	-----------------

Cylindrical

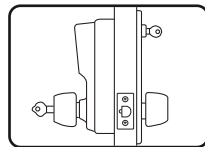


Model 101x



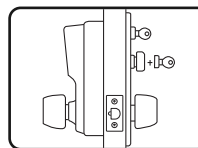
- Combination Entry
- Interior Combination Change

Model 102x



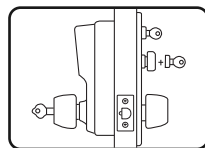
- Combination Entry
- Key Override (not supplied)
- Interior Combination Change

Model 103x



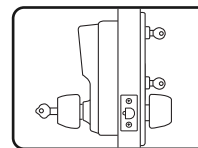
- Combination Entry
- Interior Combination Change
- Passage

Model 104x



- Combination Entry
- Key Override (not supplied)
- Passage
- Interior Combination Change

Lockout Models



- Combination Entry
- Key Override (not supplied)
- Interior Combination Change
- Lockout from Inside Trim