

8600 AF/AR86 x MJ

8600 AF/AR86P x MJ

Flat arm/round arm for regular and parallel mounts
with mortised jamb bracket and backplate (BP89)

Installation instructions

08279681 – 10-2019

| EN |



dormakaba 




Table of contents

| | | |
|----------|--|----------|
| 1 | Technical specifications | 3 |
| 1.1 | Overview | 3 |
| 1.2 | Tools recommended | 3 |
| 1.3 | Handing the door | 3 |
| 2 | Instructions - AF regular mount | 4 |
| 2.1 | Closer system: Flat arm (AF) | 4 |
| 2.2 | Installing (optional) backplate and surface closer | 4 |
| 2.3 | Installing mortise jamb bracket and arms (AF) | 4 |
| 3 | Instructions - AR regular mount | 5 |
| 3.1 | Closer system: Round arm (AR) | 5 |
| 3.2 | Installing (optional) backplate and surface closer | 5 |
| 3.3 | Installing mortise jamb bracket and arms (AR) | 5 |
| 4 | Instructions - AF parallel mount | 6 |
| 4.1 | Closer system: Flat arm (AF) | 6 |
| 4.2 | Installing (optional) drop plate and closer | 6 |
| 4.3 | Installing mortise jamb bracket and arms (AF) | 6 |
| 5 | Instructions - AR parallel mount | 7 |
| 5.1 | Closer system: Round arm (AR) | 7 |
| 5.2 | Installing (optional) drop plate and closer | 7 |
| 5.3 | Installing mortise jamb bracket and arms (AR) | 7 |
| 6 | Adjustments | 8 |
| 6.1 | Adjust closing speeds: sweep, latch, backcheck, delayed action | 8 |
| 6.2 | Adjust spring force | 9 |
| 7 | Install covers | 9 |

1 Technical specifications

1.1 Overview

-  Caution: sex nuts are required for attachment of components to unreinforced doors and to wood or plastic faced composite type fire doors, unless an alternative method is identified in the individual door manufacturer’s listings.
-  Maximum door opening degree is 180°.

-  Know the swing of the door which is being installed prior to installation.
-  Verify closer spring size prior to installation.
-  Make sure door efficiently operates prior to installing closer.

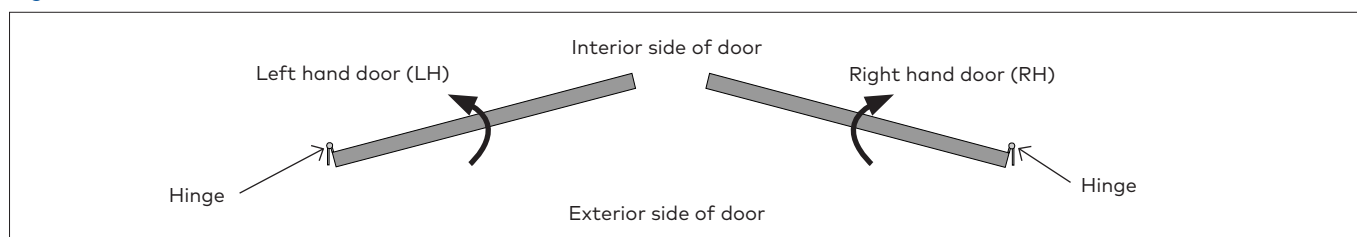
1.2 Tools recommended

Table 1

| | |
|------------------------------------|-----------------------------|
| Drill bits: | #3 Phillips screwdriver |
| Metal: 7/32" drill bit; 1/4-20 tap | 3/16" flat head screwdriver |
| Wood: 3/8" and 5/32" bit | 5mm hex key |
| 1/2" box wrench | |

1.3 Handing the door

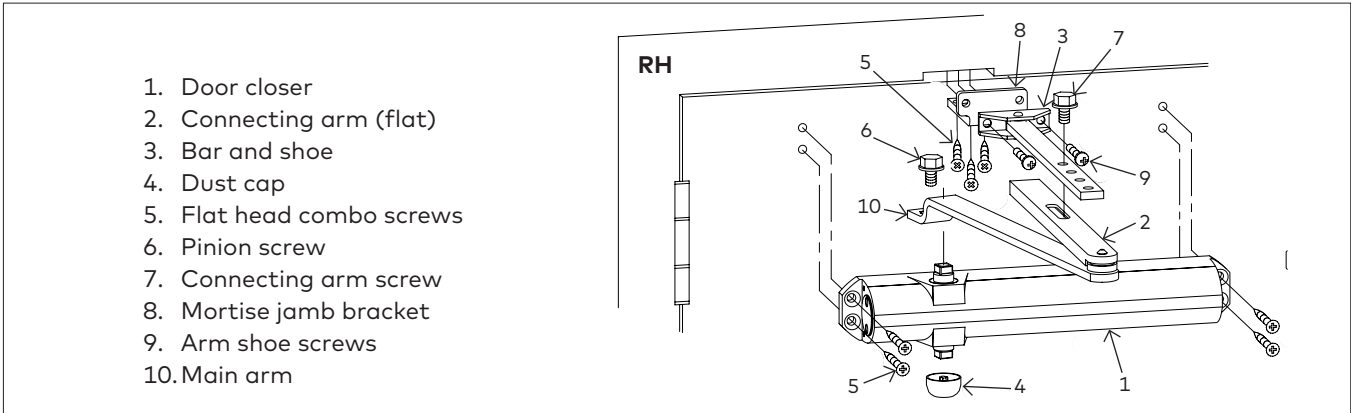
Fig.1



2 Instructions - AF regular mount

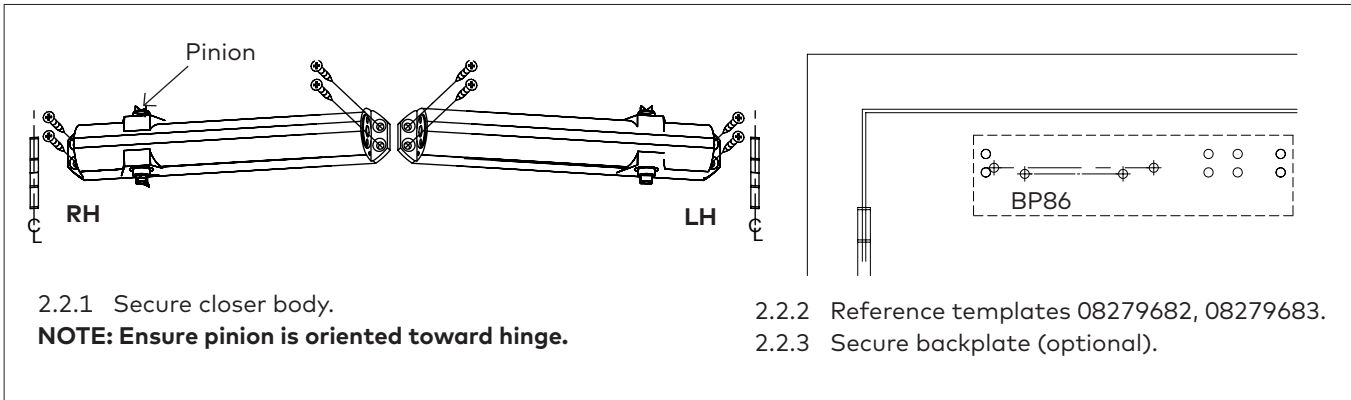
2.1 Closer system: Flat arm (AF)

Fig.2



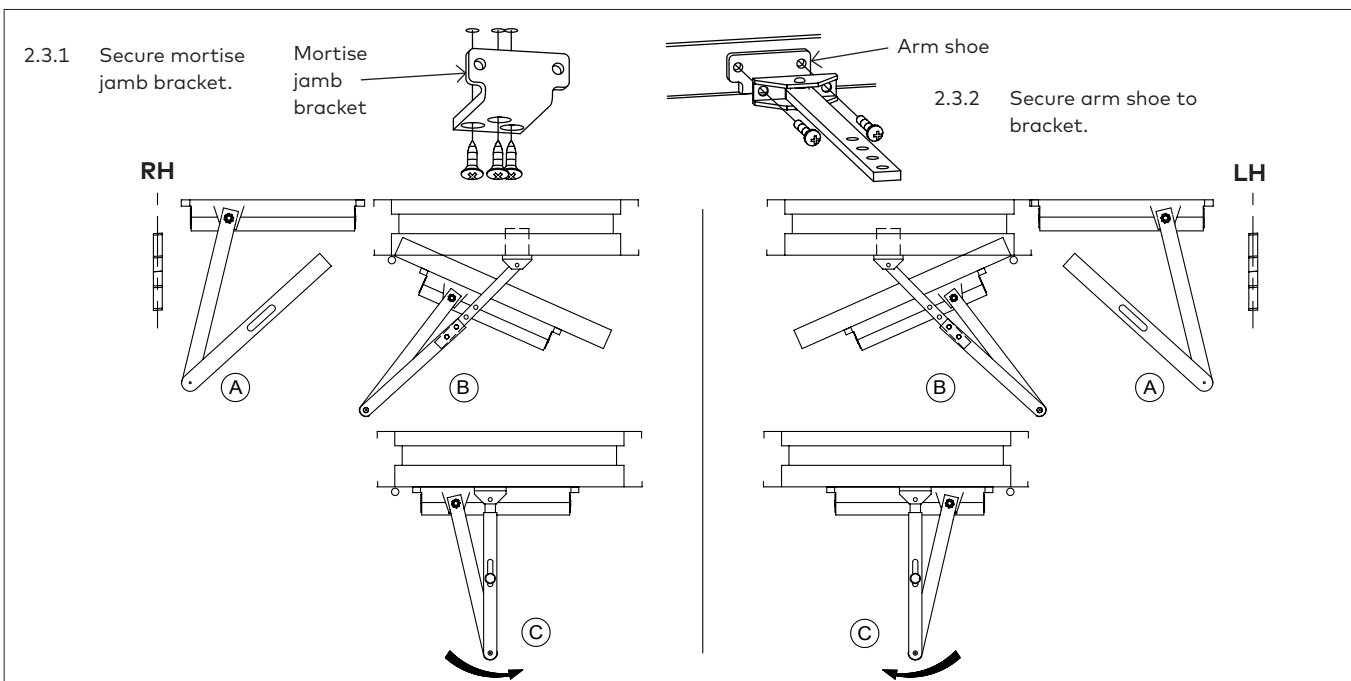
2.2 Installing (optional) backplate and surface closer

Fig.3



2.3 Installing mortise jamb bracket and arms (AF)

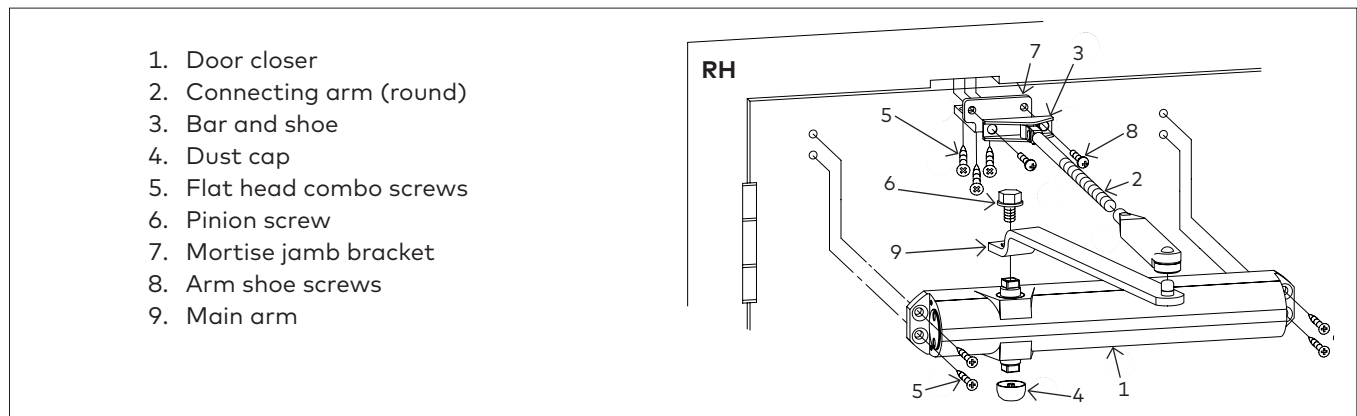
Fig.4



3 Instructions - AR regular mount

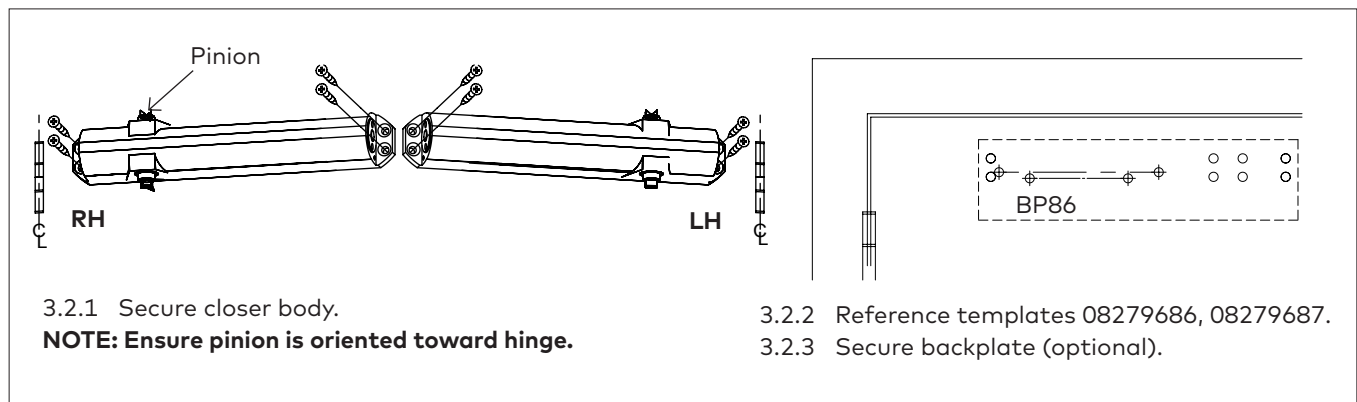
3.1 Closer system: Round arm (AR)

Fig.5



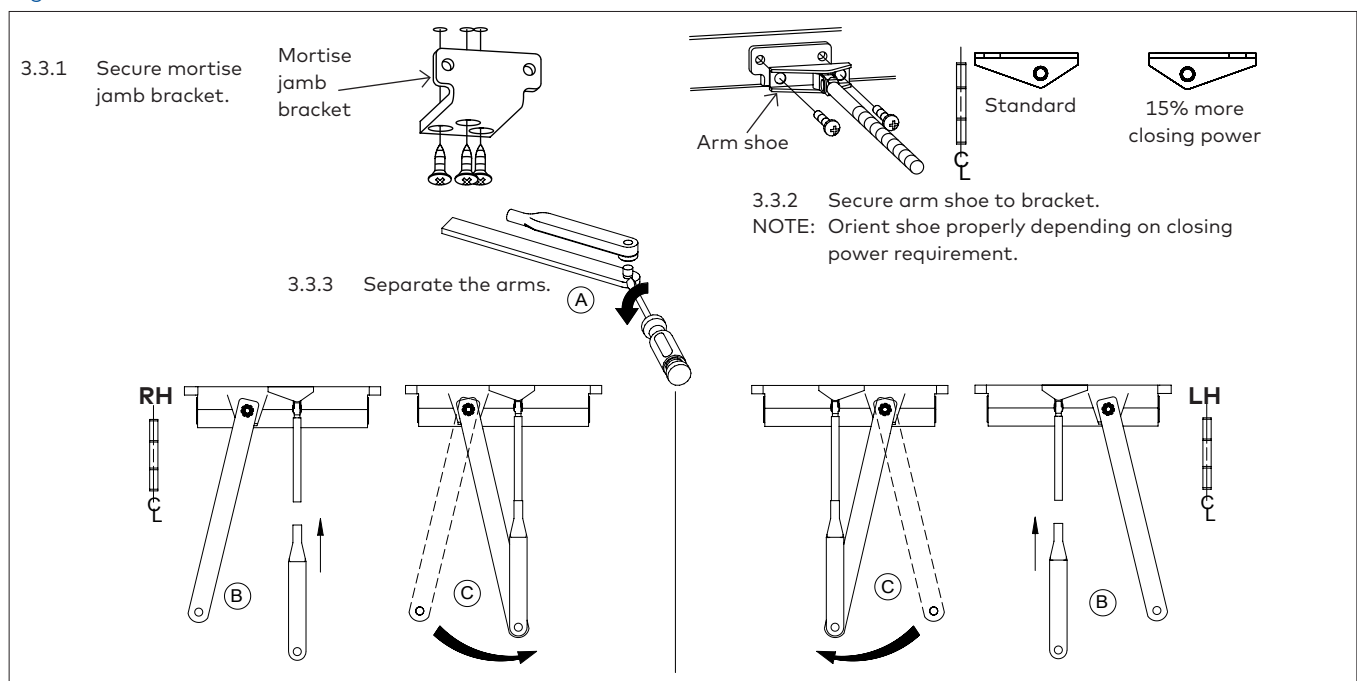
3.2 Installing (optional) backplate and surface closer

Fig.6



3.3 Installing mortise jamb bracket and arms (AR)

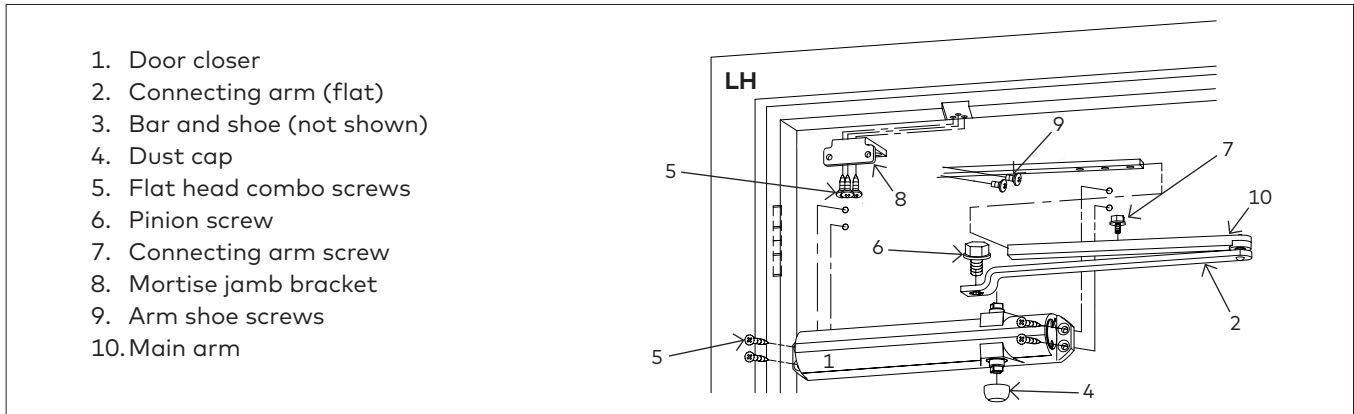
Fig.7



4 Instructions - AF parallel mount

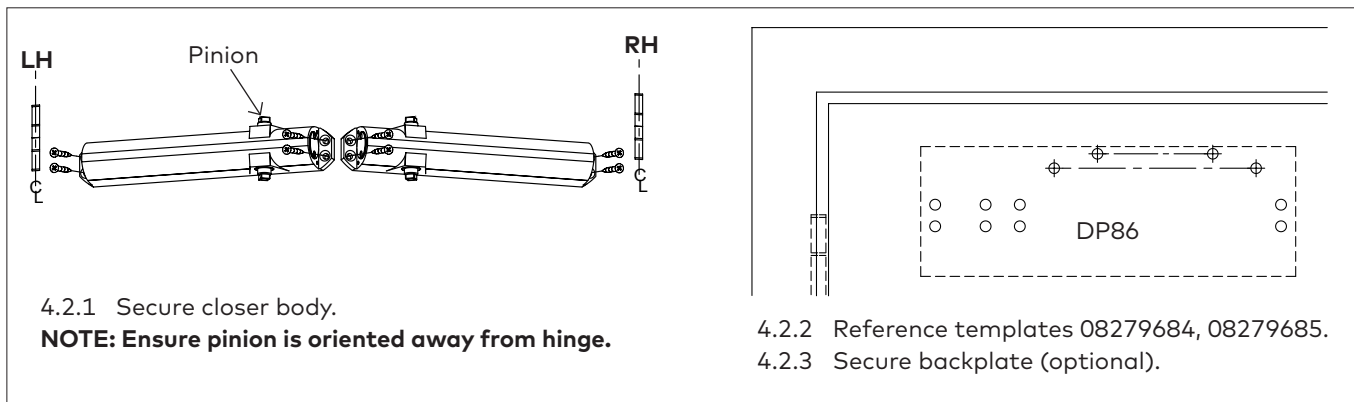
4.1 Closer system: Flat arm (AF)

Fig.8



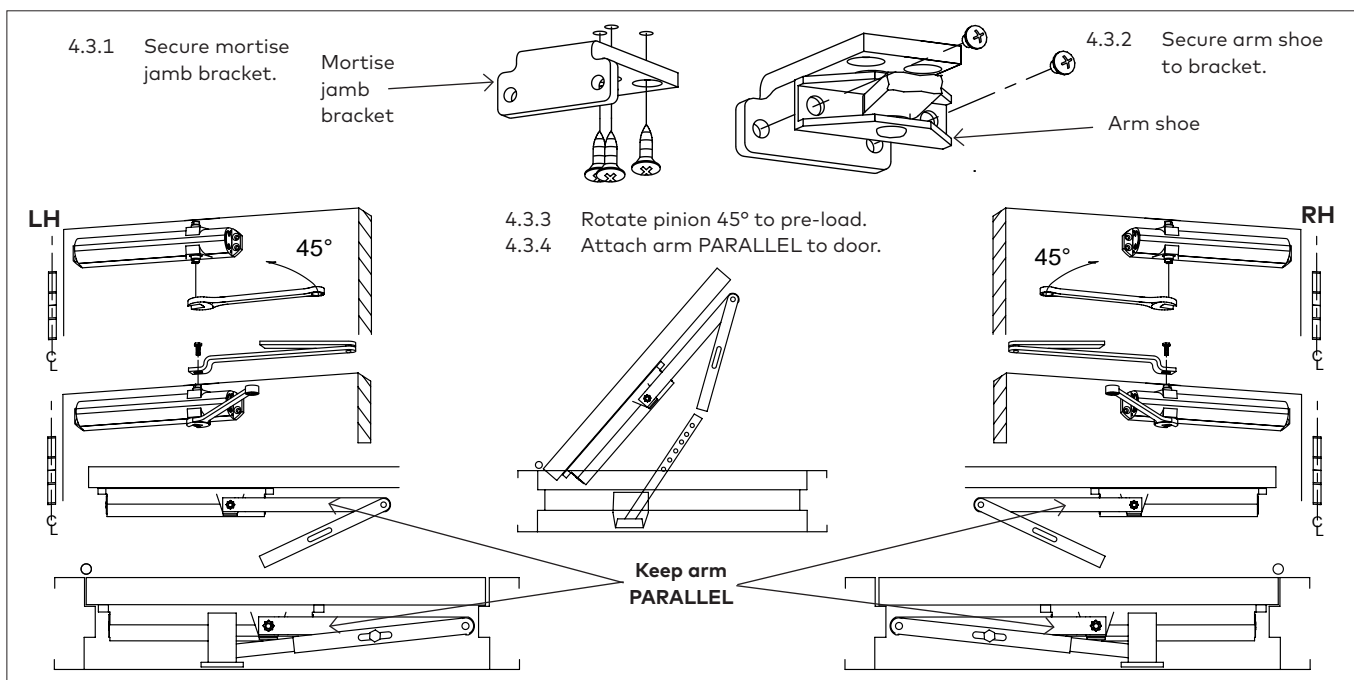
4.2 Installing (optional) drop plate and closer

Fig.9



4.3 Installing mortise jamb bracket and arms (AF)

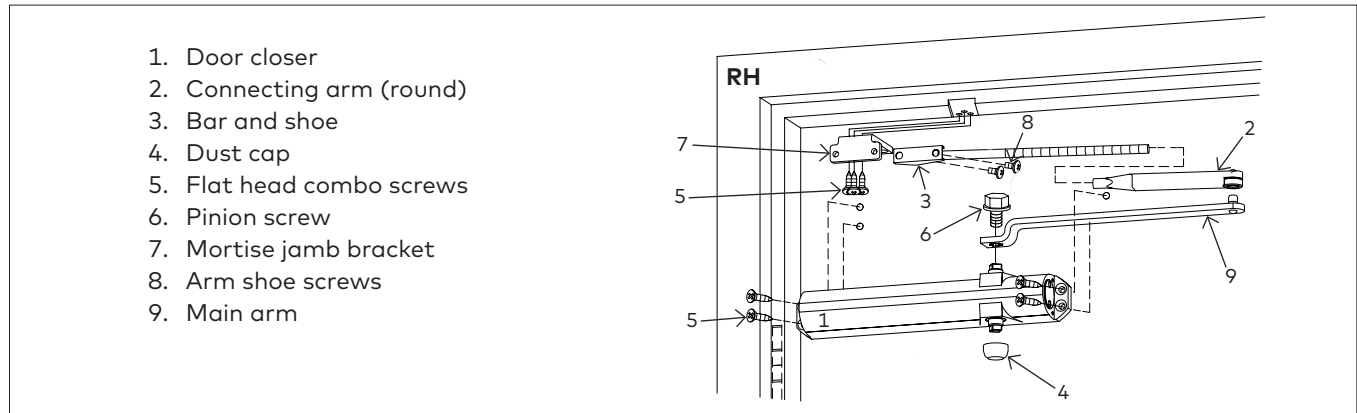
Fig.10



5 Instructions - AR parallel mount

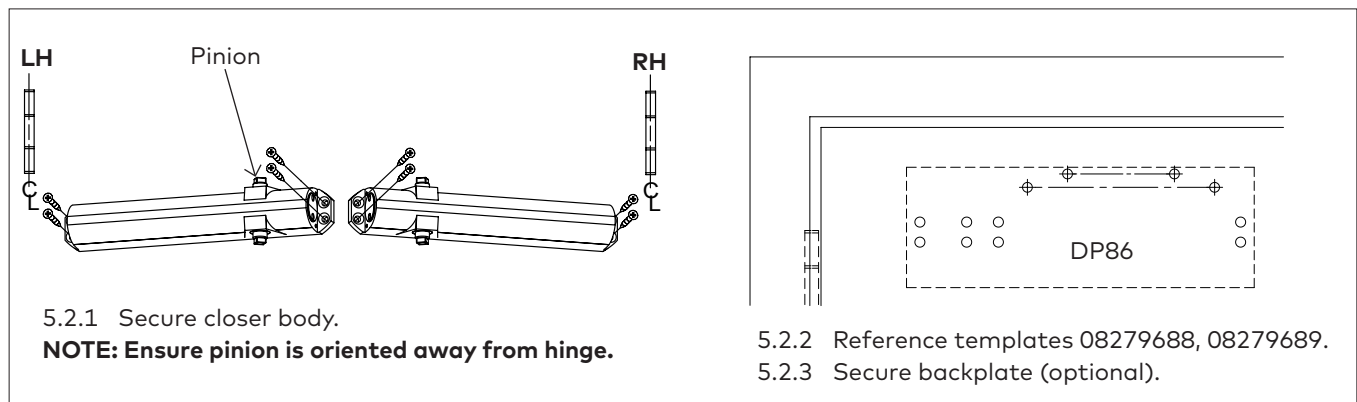
5.1 Closer system: Round arm (AR)

Fig.11



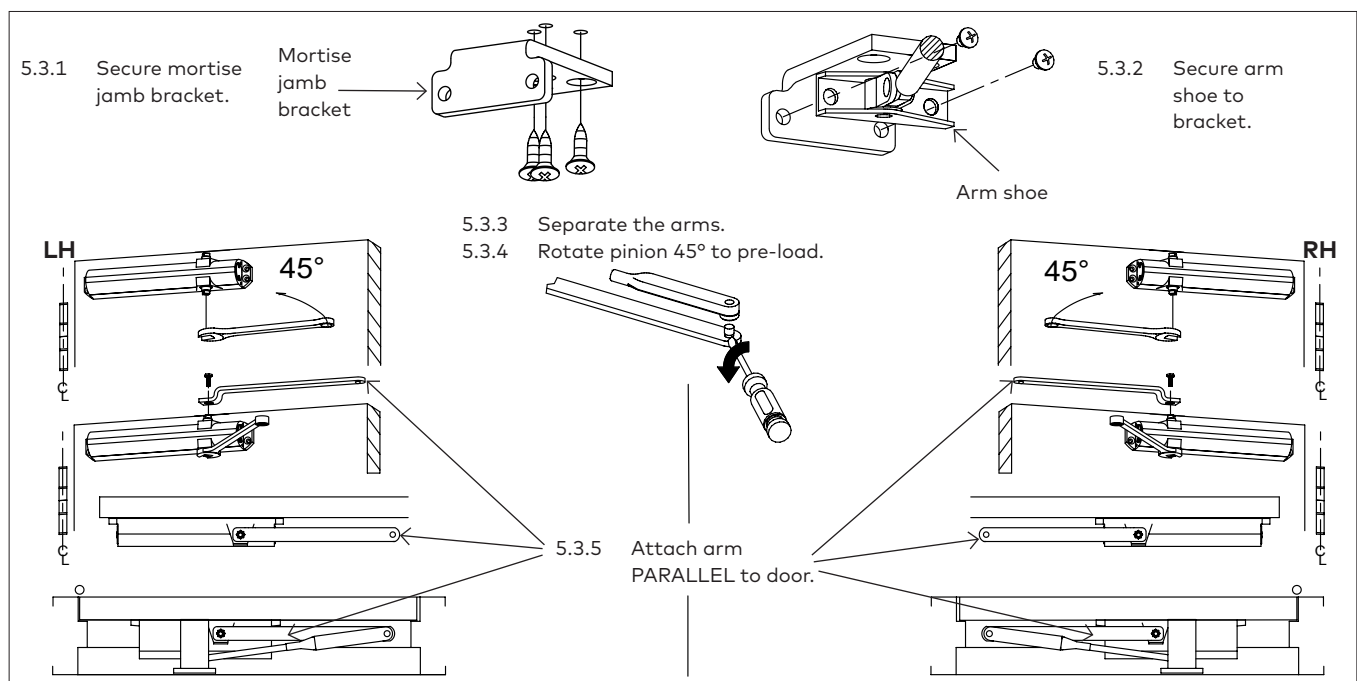
5.2 Installing (optional) drop plate and closer

Fig.12



5.3 Installing mortise jamb bracket and arms (AR)

Fig.13

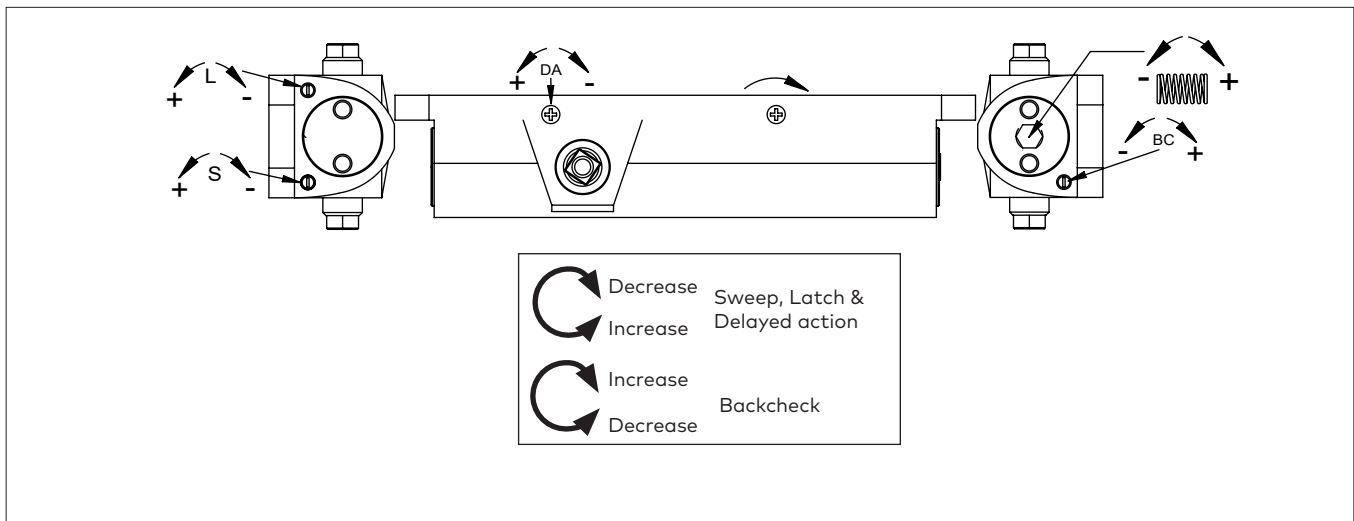


6 Adjustments

- ⚠ Confirm closer spring size prior to making any closing speed adjustments.
- ⚠ Do not back valve heads out beyond closer casting.
- ⚠ Backcheck positioning MUST be turned "ON" for parallel arm applications.
- ⚠ Backcheck position will advance approximately 15°.
- ⚠ Check delayed action (DEL) function if supplied.
- ⚠ Maximum opening angle is 180°.
- ⚠ Door should close in 3 to 6 seconds from 90°.
- ⚠ Do not close valves completely.
- ⚠ Ball bearing hinges and pivots should always be used.
- ⚠ 8616 meets 5lb interior barrier-free requirements.
- ⚠ If necessary, adjust closer spring and test pull forces until proper forces are obtained.

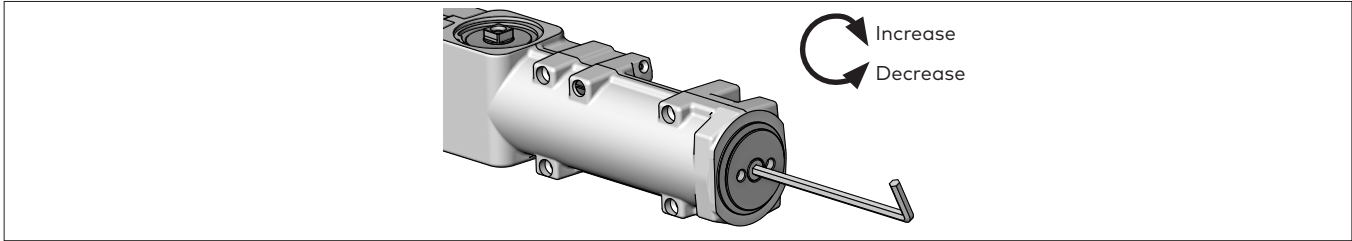
6.1 Adjust closing speeds: sweep, latch, backcheck, delayed action

Fig.14



6.2 Adjust spring force

Fig.15



| Regular mount | | | | | |
|----------------|-------------|-----------------------|------------|----------|------------|
| | Closer size | Max door weight (lbs) | Door width | | Full turns |
| | | | Interior | Exterior | |
| | 2 | 100 | 2'6" | ---- | -19 |
| | 3 | 125 | 3' | 2'6" | -11 |
| | 4 | 150 | 3'6" | 3' | 0 |
| | 5 | 200 | 4' | 3'6" | +5 |
| | 6 | 250 | ---- | 4' | +13 |
| Parallel mount | | | | | |
| | 3 | 100 | 2'6" | ---- | -11 |
| | 4 | 125 | 3' | 2'6" | 0 |
| | 5 | 150 | 3'6" | 3' | +5 |
| | 6 | 200 | 4' | 3'6" | +13 |

7 Install covers

Fig.16

