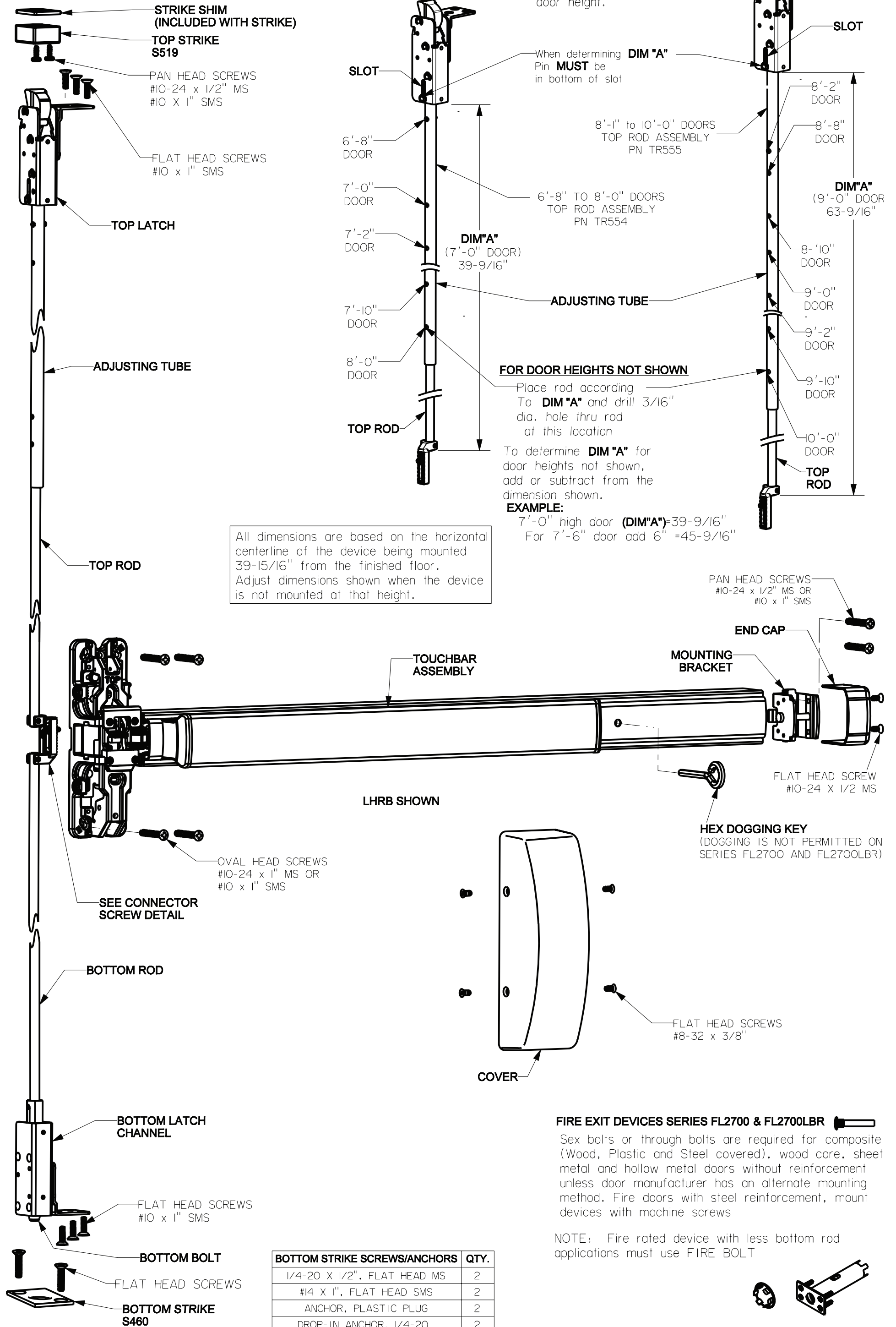


# INSTALLATION INSTRUCTIONS

CONCEALED VERTICAL ROD EXIT DEVICE - REVERSIBLE  
 SERIES 2700, FL2700, 2700LBR & FL2700LBR

Pin the Top Rod to the  
**ADJUSTING TUBE** with  
 3/16" x 1/2" roll pin to suit  
 door height.



All dimensions are based on the horizontal centerline of the device being mounted 39-15/16" from the finished floor. Adjust dimensions shown when the device is not mounted at that height.

**FOR DOOR HEIGHTS NOT SHOWN**

Place rod according To **DIM "A"** and drill 3/16" dia. hole thru rod at this location

To determine **DIM "A"** for door heights not shown, add or subtract from the dimension shown.

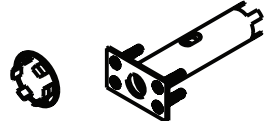
**EXAMPLE:**  
 7'-0" high door (**DIM "A"**)=39-9/16"  
 For 7'-6" door add 6" =45-9/16"

**FIRE EXIT DEVICES SERIES FL2700 & FL2700LBR**

Six bolts or through bolts are required for composite (Wood, Plastic and Steel covered), wood core, sheet metal and hollow metal doors without reinforcement unless door manufacturer has an alternate mounting method. Fire doors with steel reinforcement, mount devices with machine screws

NOTE: Fire rated device with less bottom rod applications must use FIRE BOLT

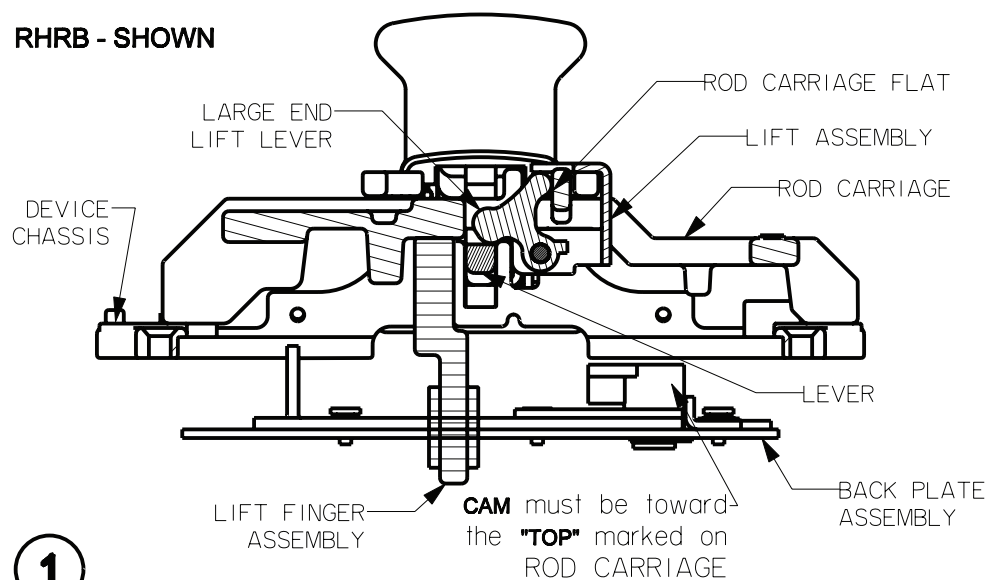
BOTTOM STRIKE SCREWS/ANCHORS	QTY.
1/4-20 X 1/2", FLAT HEAD MS	2
#14 X 1", FLAT HEAD SMS	2
ANCHOR, PLASTIC PLUG	2
DROP-IN ANCHOR, 1/4-20	2



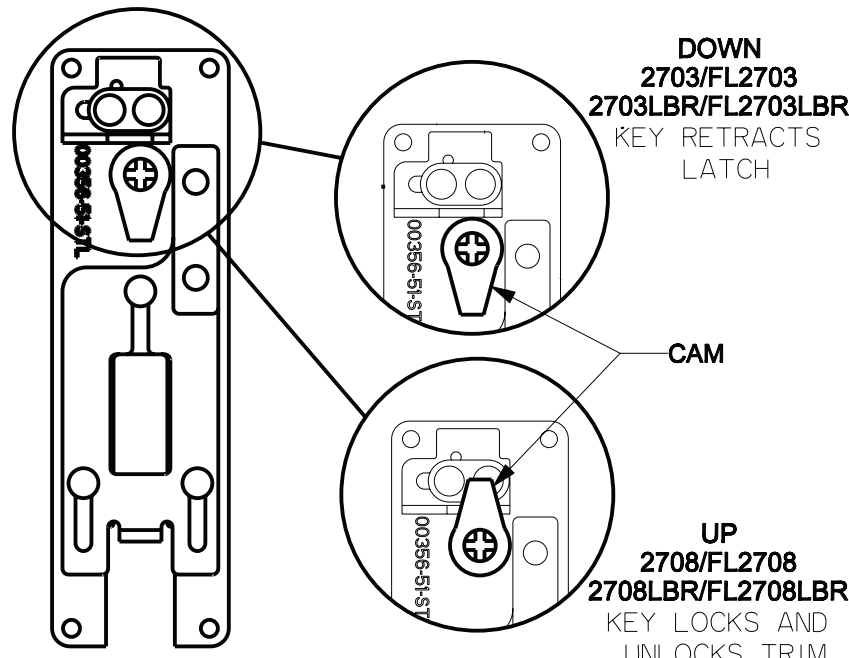
# INSTRUCTIONS TO CHANGE HANDS

# INSTRUCTIONS TO CHANGE FUNCTION

RHRB - SHOWN



1. Remove **BACK PLATE ASSEMBLY** (4 screws)
2. Remove **CAM** and rotate 180°



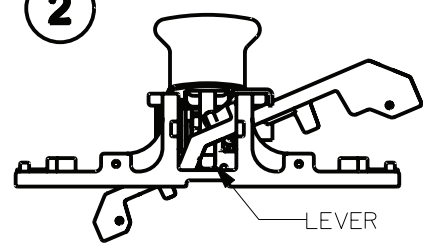
**1**

- Remove **LIFT FINGER ASSEMBLY** (2 Screws)
- Place device on a bench so the **DEVICE CHASSIS** is off the edge.
- Remove **BACK PLATE ASSEMBLY** (4 Screws)
- Remove **LIFT ASSEMBLY** (2 Screws)

**4**

- Insert **LIFT ASSEMBLY** into the **ROD CARRIAGE**, making sure that the **LARGE END** of the **LIFT LEVER** is on top of the **LEVER** and the other end is against the **ROD CARRIAGE FLAT**. Attach it with 2 screws.
- Secure **BACK PLATE ASSEMBLY** with 4 screws.
- Secure **LIFT FINGER ASSEMBLY** with 2 screws

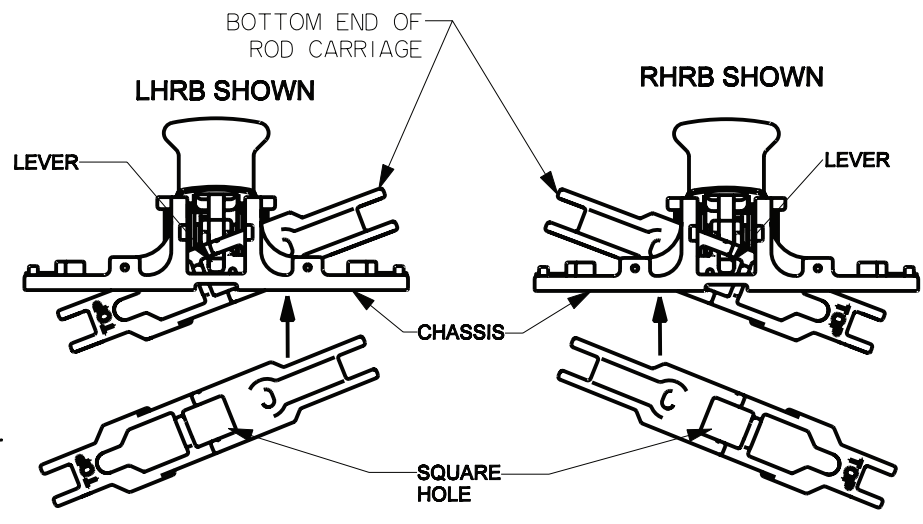
**2**



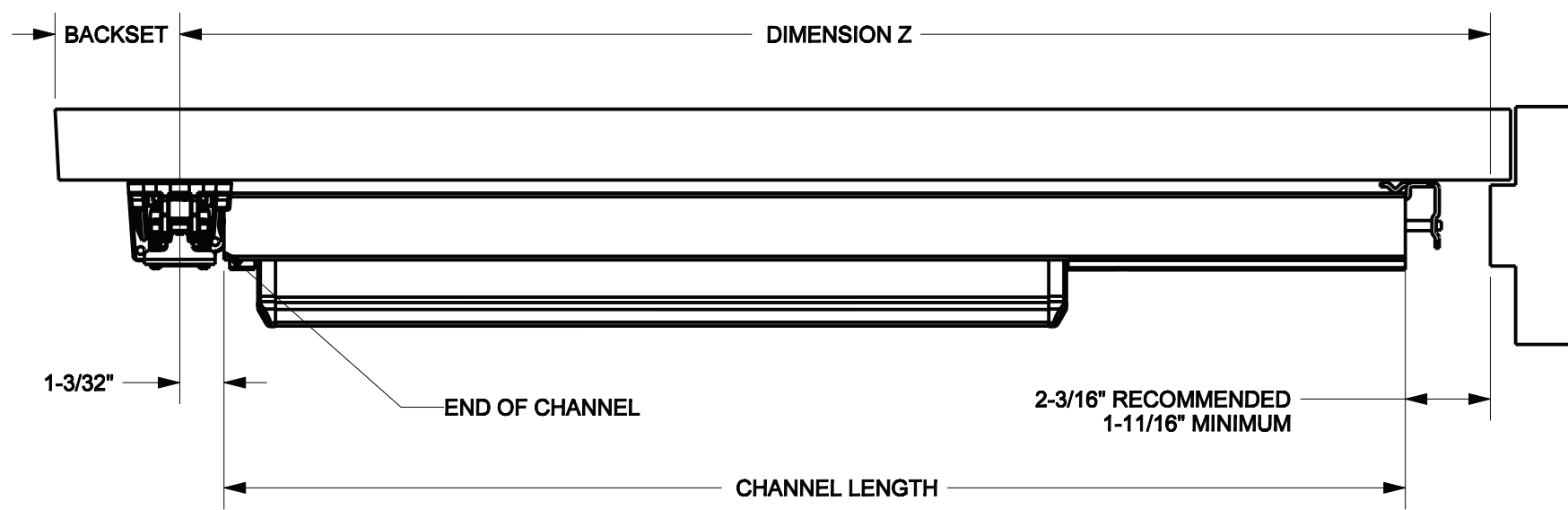
- Slide **ROD CARRIAGE** end marked **TOP** toward lever, **ROD CARRIAGE** will begin to fall.

**3**

- Rotate **ROD CARRIAGE** until it falls out.
- Insert bottom end of **ROD CARRIAGE** into the opposite side of the chassis **AS SHOWN**.
- With the **LEVER** in the **SQUARE HOLE**. Rotate **ROD CARRIAGE** 90° so it is in the same position as **STEP 2**.
- Push up and slide the **ROD CARRIAGE** onto the chassis.



## DEVICE PREPARATION

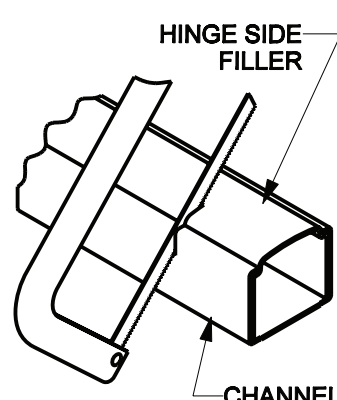


**WARNING:**  
If your device is equipped with ALK, CD, DE, or DS then please refer to instruction sheet listed below prior to cutting the device.

### CUT DEVICE: - If Required

1. Determine proper **CHANNEL LENGTH** by subtracting 3-1/4" from dimension **Z**.
2. Mark cut off point (hinge side filler must be all the way inside of channel).
3. Cut off channel and hinge side filler and deburr.

ALK	Alarm Kit	01639-11-000
CD	Cylinder Dogging	01725-11-000
DE	Delayed Egress	01844-11-000
DS	Door Position	02187-11-000



**- CAUTION -**  
PROTECT INSIDE OF DEVICE FROM METAL SHAVINGS

**STANLEY**

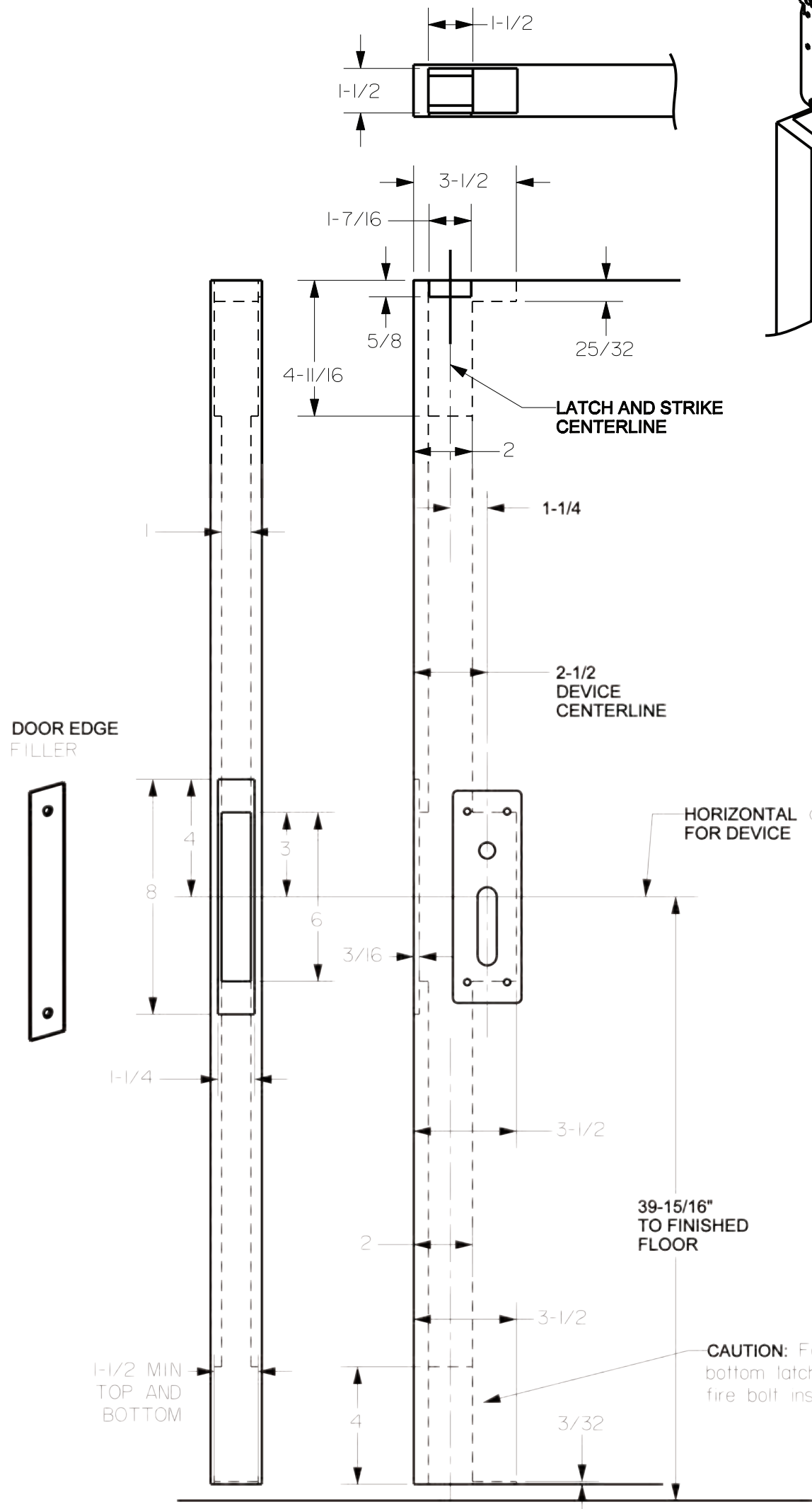
**phi**

DRWG 01782-11-000 DATE 2/01/05 REVISION C

**Precision Hardware**  
a Division of Stanley Security Solutions, Inc.  
www.stanleysecuritysolutions.com

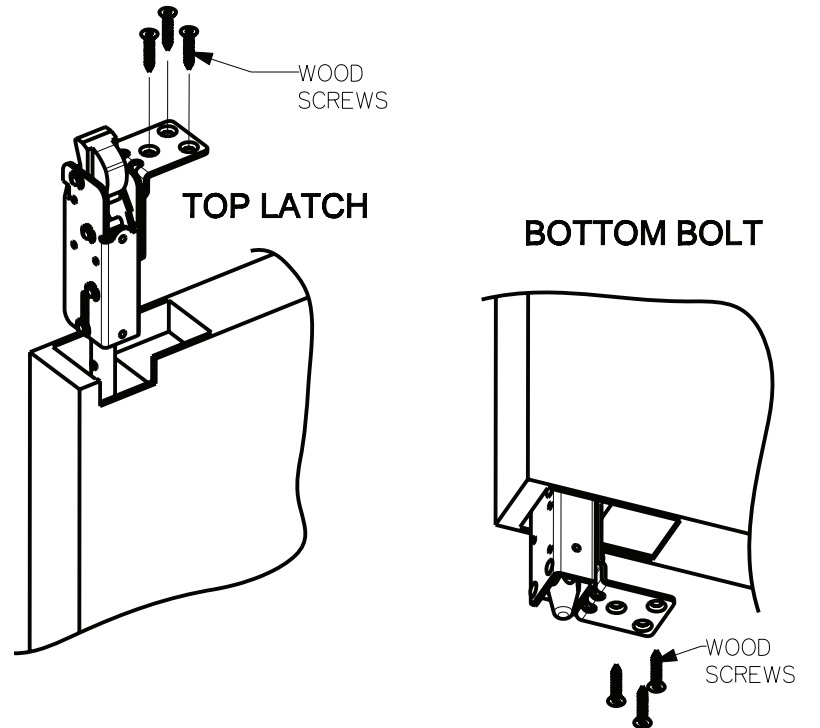
# 1 DOOR PREPARATION

1. Circle the **TRIM NUMBER** (if specified) at various locations (holes B and C) on the **TRIM TEMPLATE**.
  2. Mark **HORIZONTAL CENTERLINE** on inside face of door 39-15/16" from finished floor as shown. (Continue horizontal centerline to outside face of door if Trim is specified).
  3. Mark **VERTICAL CENTERLINE** with **2-1/2 BACKSET** at lock side 6" above and below horizontal centerline. (Mark vertical centerline at lock side using same Backset dimension on outside face of door if Trim is specified).
- CAUTION:** Vertical centerlines on both sides of the door should be the same dimension from the edge of the door.
4. Mark **VERTICAL LATCH CENTERLINE** 1-1/4" from Device Vertical Centerline 6" from top edge of door. See **TOP STRIKE FRAME MACHINING DETAIL**.
  5. Tape **LOCK STILE CASE**, (and Trim Template if Trim specified) to the door so that the centerlines on the Template line up with centerlines on the door. Mark centers and drill the required holes as indicated on the templates.



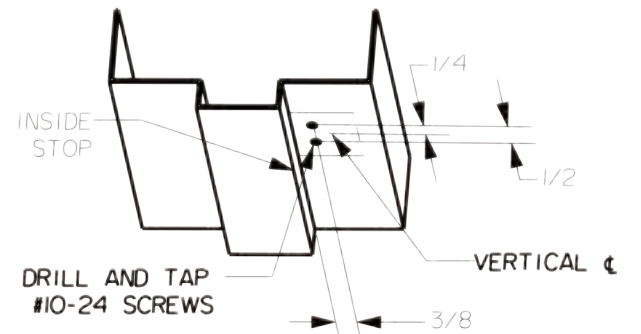
# 2 INSTALL LATCHES

Mount top and bottom latches using wood screws as shown below.

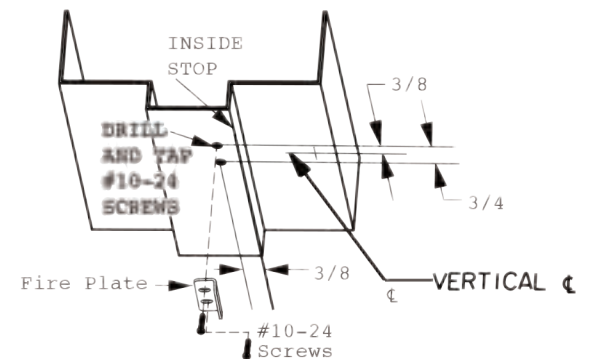


## TOP STRIKE MACHINING

Door must be hung in the opening. Transfer the vertical centerline from the door to the frame rabbet and drill and tap the holes as shown.



**Required FL-Fire Labeled 2700 Series Only.** Install the Fire Plate as shown below:



**CAUTION:** For **LBR** devices, omit prep for bottom latch, for **FL2700LBR** devices see fire bolt installation sheet **01297-11-000**

### 3 APPLY DEVICE

**NOTE:** If Trim is specified: See the Trim installation instructions packaged with the trim. If the Exit Device has Electrical or other options see specific option instructions packaged in exit device carton.

#### 1. Lock Stile Case Mounting

**DEVICE WITH TRIM** - See Trim instructions

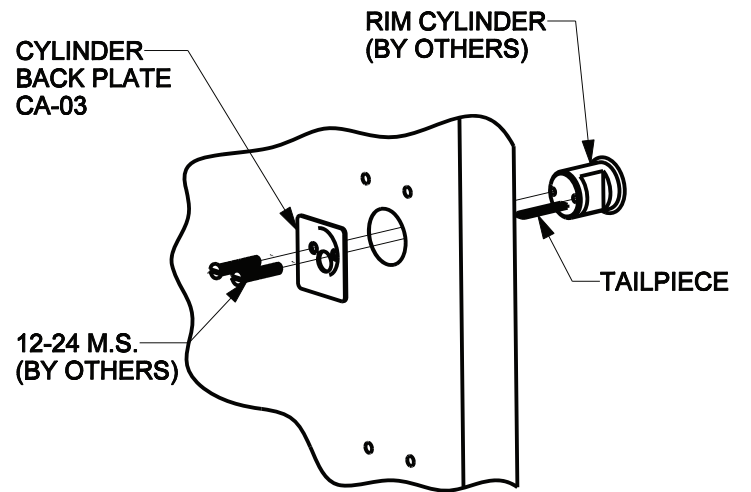
**CYLINDER ONLY** - Install cylinder with cylinder back plate as shown. Make sure the tailpiece is extending 1/2" to 7/8" from the inside face of door.

Insert tailpiece into cam in the lock stile case and mount it to the door with 4 screws.

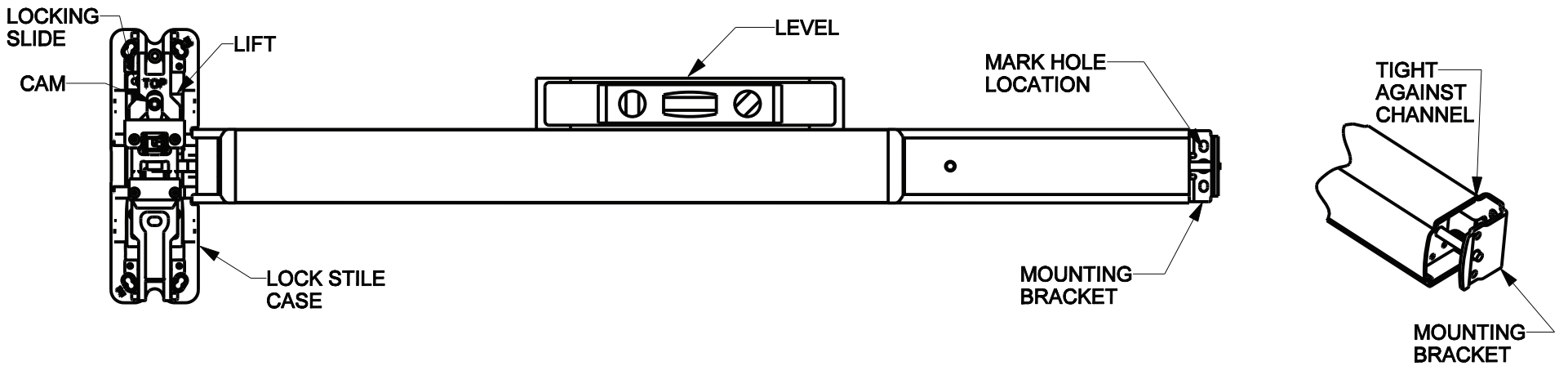
**EXIT ONLY** - Mount Lock Stile Case to the door with 4 screws.

2. Insert the **MOUNTING BRACKET** into touch bar assembly tight against the channel. Level the device, mark and drill 2 holes for #10 sheet metal screws or #10-24 machine screws. Fasten the MOUNTING BRACKET to door and attach the **ENDCAP** to **MOUNTING BRACKET** with 2 screws.

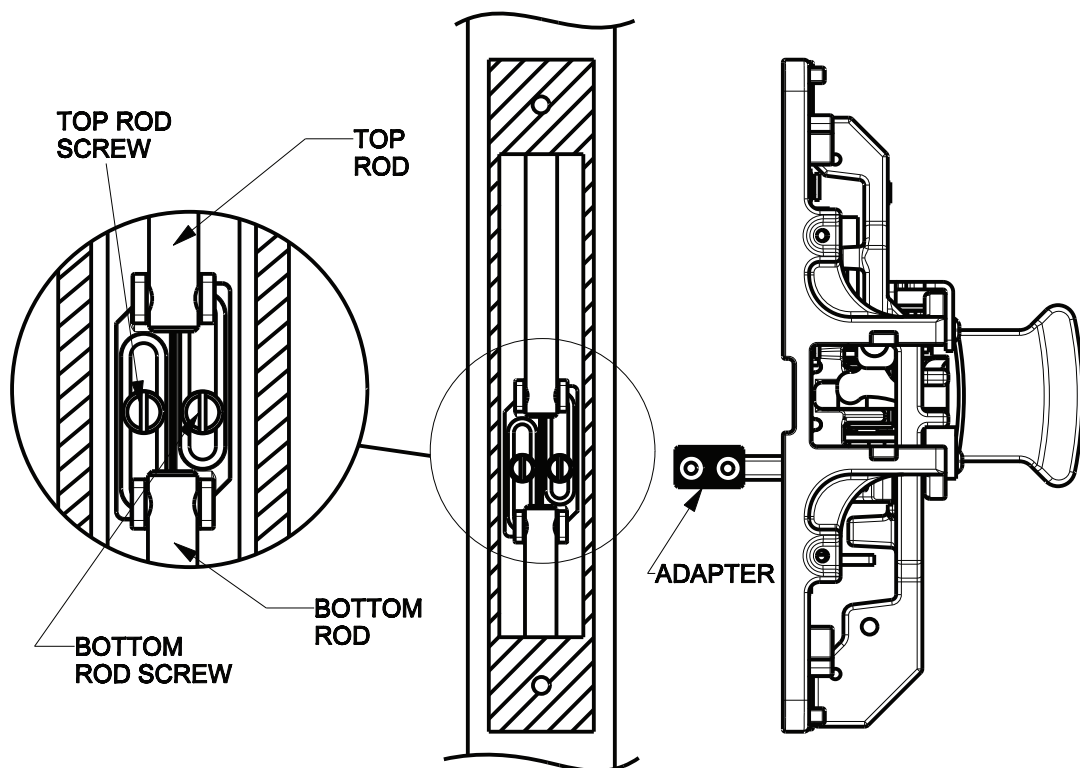
#### CYLINDER ONLY INSTALLATION



**CAUTION:** For 1715, 2015 and 4914 trim the lift must be unlocked. The cam will move locking slide away from lift to unlock.



### 4 LATCH ASSEMBLY AND ADJUSTMENT



#### 1. TOP LATCH ASSEMBLY:

- Pull top rod down to extend the latchbolt. If it does not extend, rotate latchbolt and pull rod down. With latchbolt fully extended pull the rod down and attach to the adapter.
- When latchbolt is fully extended it should be in **DEADLOCK**. Deadlocking does not allow the latchbolt to be pushed down into the latch channel.
- Pushing on touchbar will retract the latchbolt. Latch will stay retracted and device is in **HOLDBACK**.
- IF NO HOLDBACK:** Loosen top rod screw and slide connector upward 1/16" (one notch in adapter) Repeat if necessary.

2. **APPLY TOP STRIKE** Attach Top Strike to frame using two screws. Adjust strike so that device latches without binding. **NOTE** If there is an excessive clearance between the door and frame, apply the strike shim.

3. **LBR DEVICES,** attach Lock Stile Case Cover and Door edge filler with two screws.

#### 4. BOTTOM BOLT ASSEMBLY:

With top latch in holdback and door open, position the rod so the bottom bolt has **1/4"** clearance between the bolt (bolt fully extended) and the surface where the strike will be mounted. Secure bottom rod to the adapter.

5. Install door edge filler with two screws.

#### 6. APPLY BOTTOM STRIKE

- FOR FLOOR APPLICATION** Center strike around bolt.
  - Mark floor for fasteners. Prepare floor for the type of fastener furnished. Provide clearance in floor for the bolt.
- FOR THRESHOLD APPLICATION** - Center strike around bolt.
  - Provide hole in threshold to accept the bolt.
  - Mark threshold for fasteners. Prepare the threshold according to the type of fasteners furnished.

7. Attach cover to Lock Stile Chassis with 4 screws.

#### BOTTOM BOLT APPLICATION

